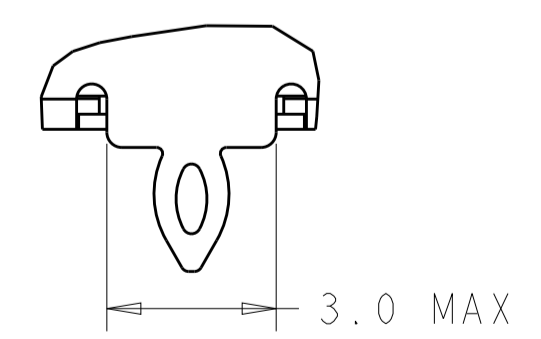
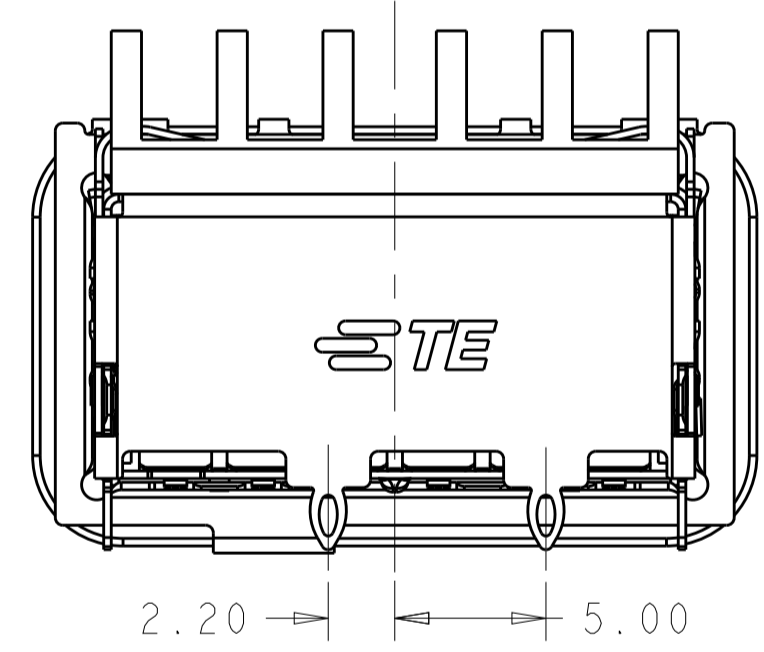
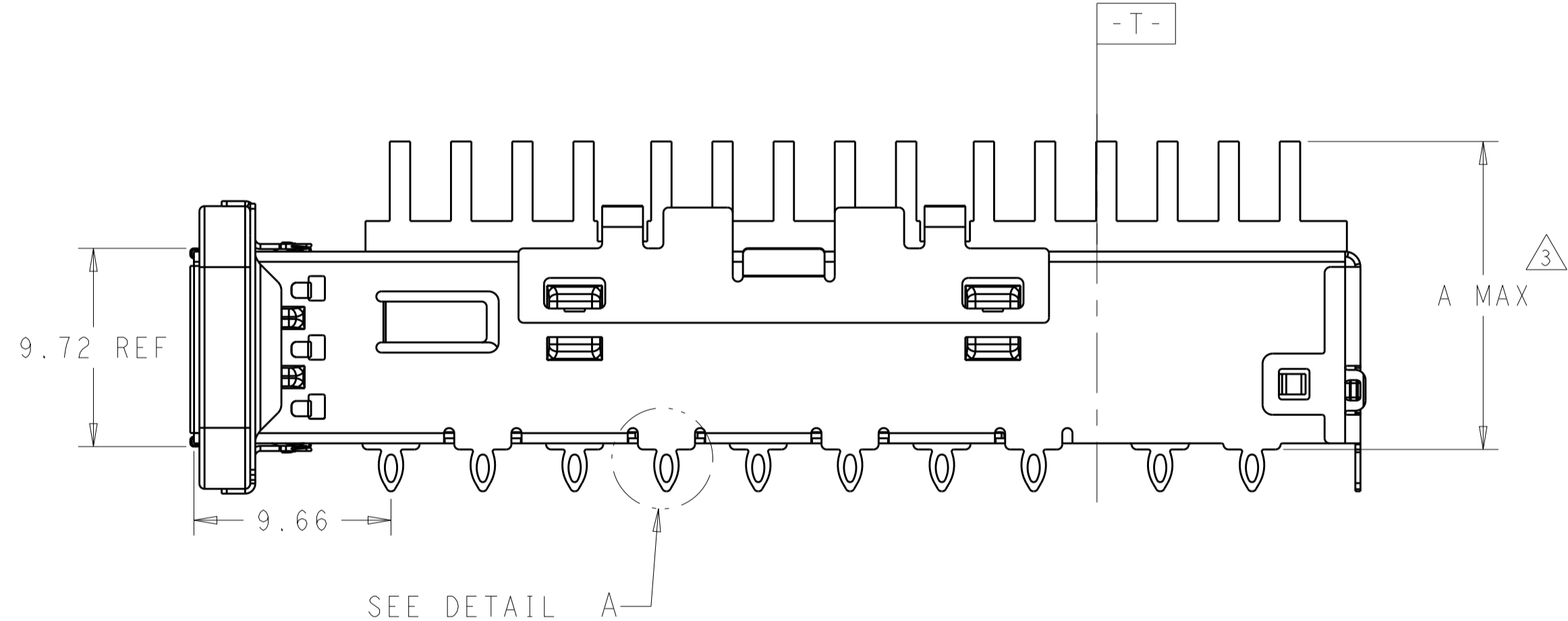
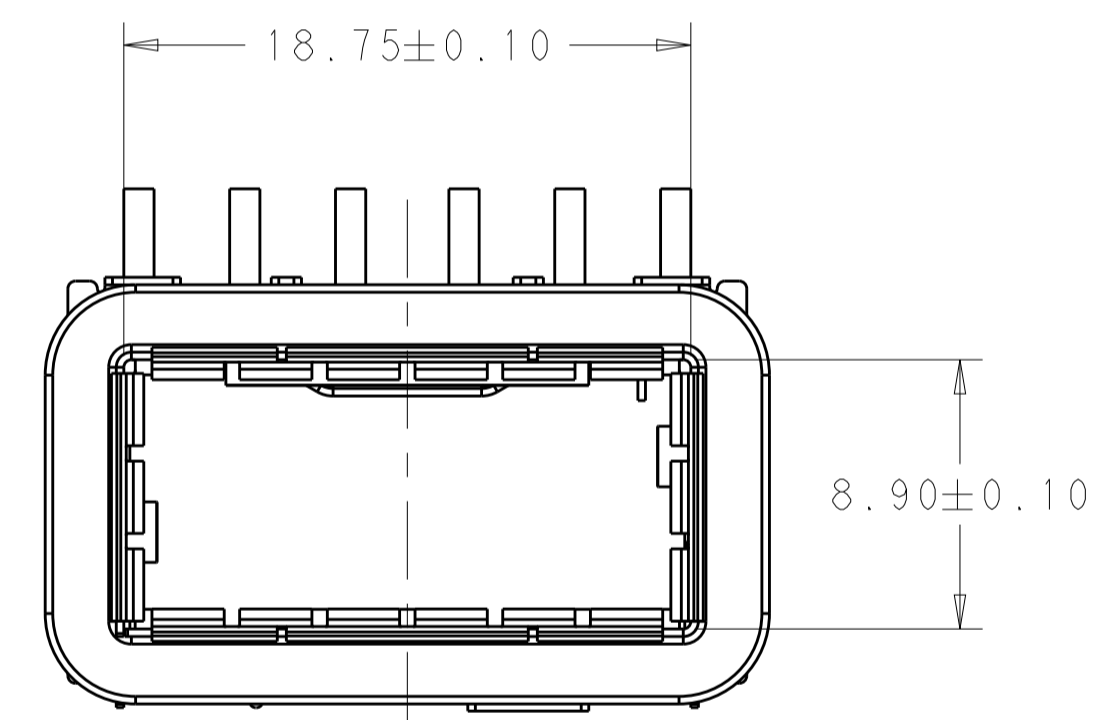
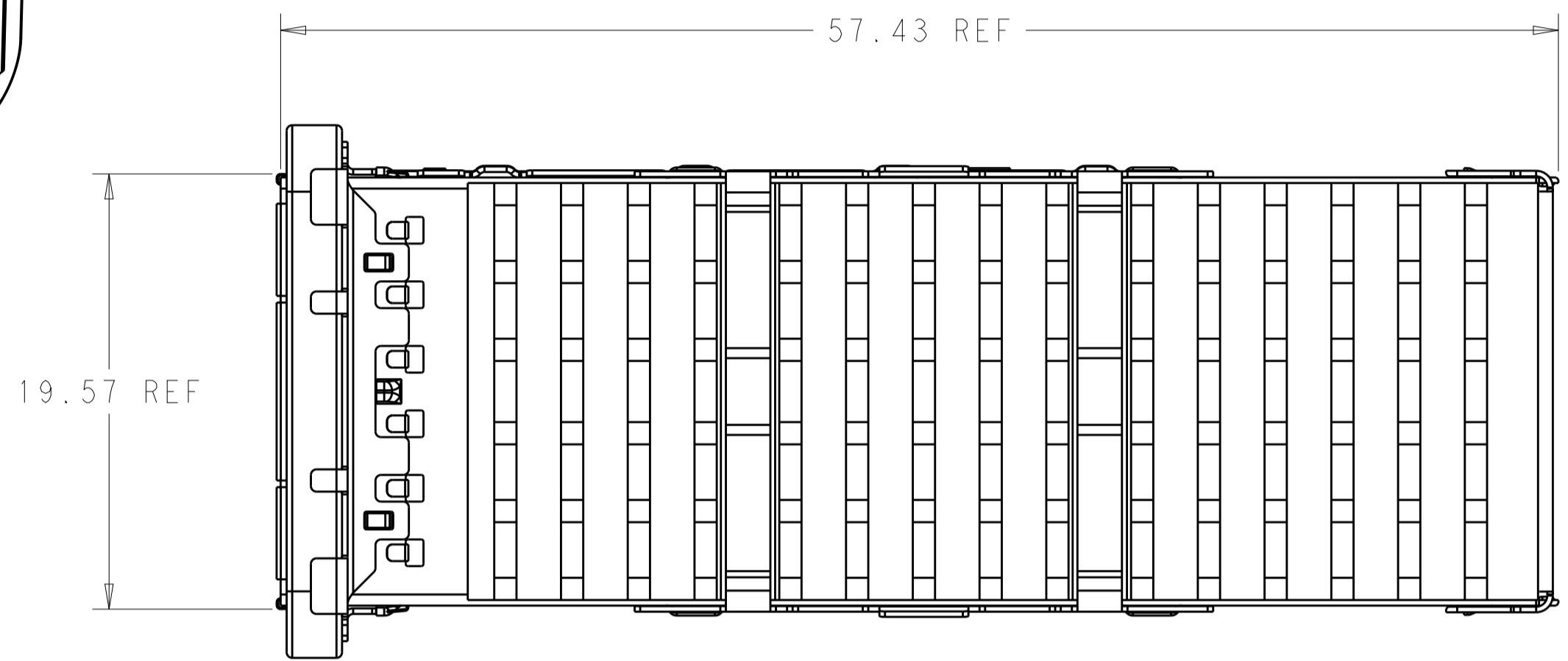
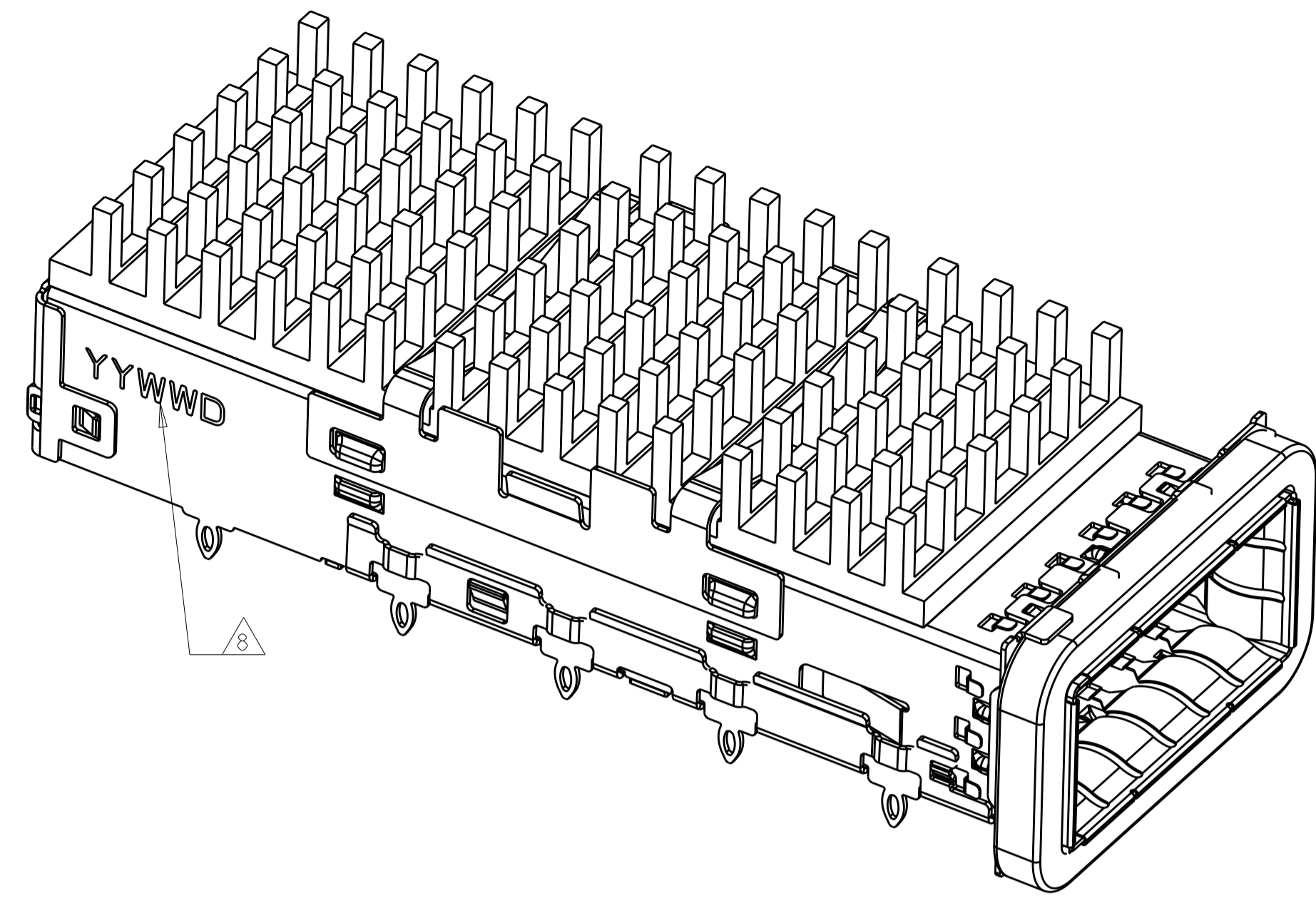
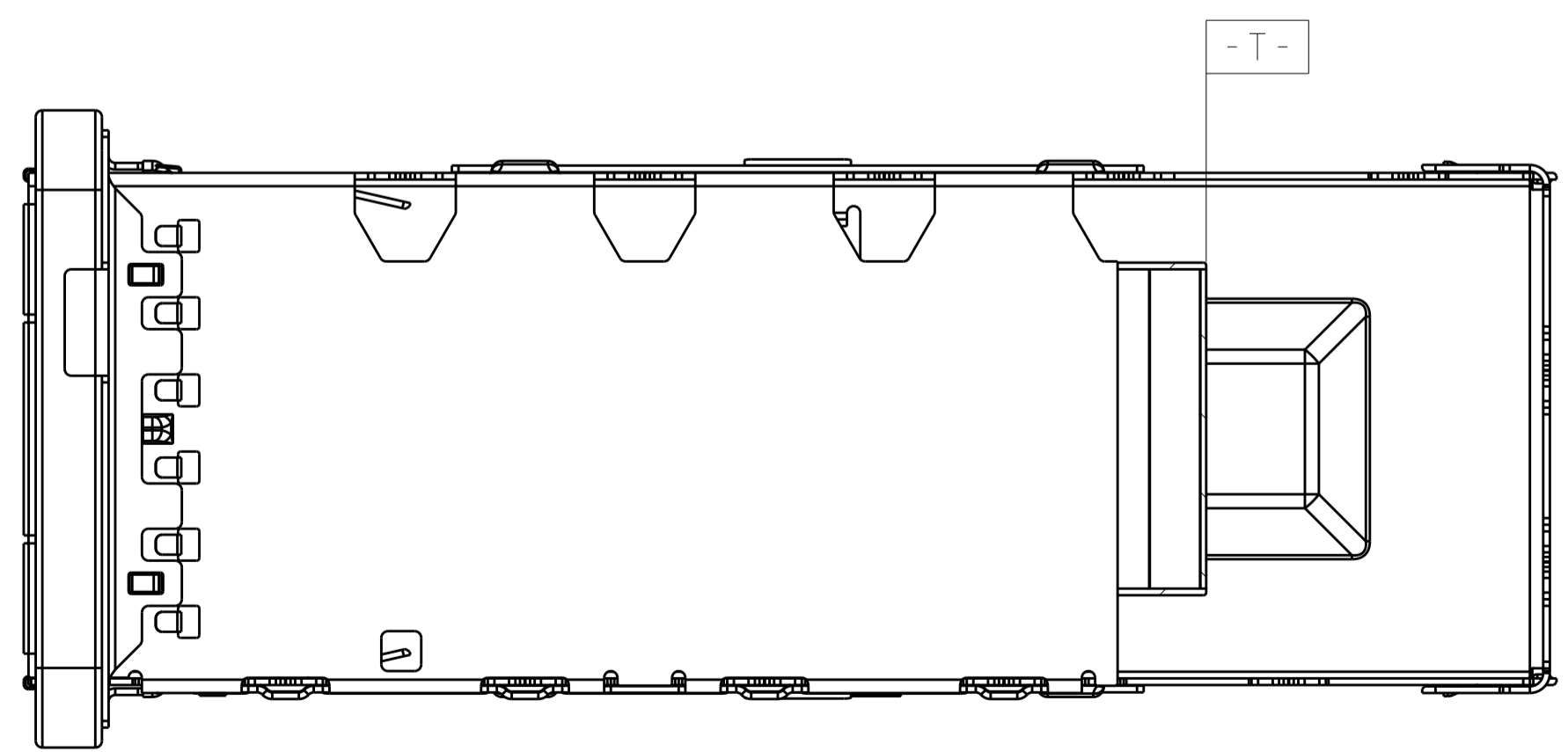


LOC		DIST		REVISIONS			
				DESCRIPTION	DATE	OWN	APVD
		A		RELEASE	30DEC2015	JY	SH



DETAIL A
SCALE 8:1



1. MATERIAL:
 CAGE MATERIAL : 0.25 THICK NICKEL SILVER.
 SPRING MATERIAL: COPPER ALLOY
 HEAT SINK MATERIAL: ALUMINUM
 CLIP MATERIAL: STAINLESS STEEL
 EMI GASKET: PLATED FILLED SILICONE

2. FINISH:
 SPRING: NICKEL PLATING
 HEAT SINK: BLACK ANODIZE

3. DIMENSION APPLIES WITH MODULE INSTALLED IN THE CAGE TO TOP OF HEAT SINK.

4. REFERENCE APPLICATION SPEC 114-32023 FOR RECOMMENDED DRILL HOLE DIAMETER AND PLATING THICKNESS.

5. DATUM AND BASIC DIMENSIONS ESTABLISHED BY CUSTOMERS.

6. MINIMUM PC BOARD THICKNESS :
 SINGLES SIDED: 1.57 MIN
 DOUBLE SIDED: 3.00 MIN

7. DATUM -A- IS TOP SURFACE OF THE HOST BOARD.

8. DATE CODE (YYWWD) MARKED APPROXIMATELY AS SHOWN

9. MATES WITH QSFP28 MSA COMPATIBLE TRANSCEIVER.

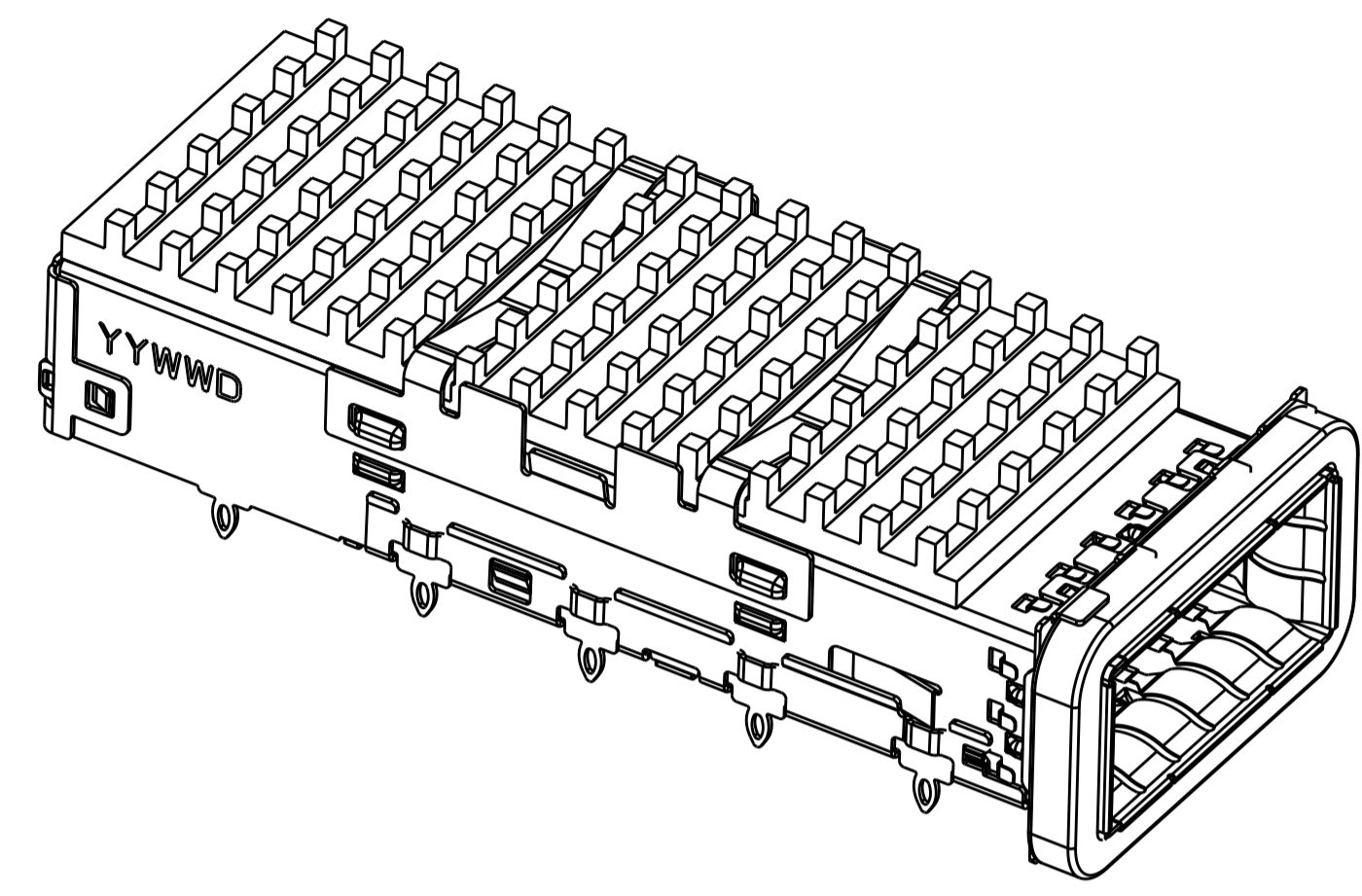
23.0	1	NETWORKING	2170753-9
16.0	1	SAN	2170753-8
13.7	1	PCI	2170753-7
23.0	0	NETWORKING	2170753-6
16.0	0	SAN	2170753-5
13.7	0	PCI	2170753-4
23.0	2	NETWORKING	2170753-3
16.0	2	SAN	2170753-2
13.7	2	PCI	2170753-1
DIM A	# REAR PINS	APPLICATION	PART NUMBER

2170753-2 AS SHOWN

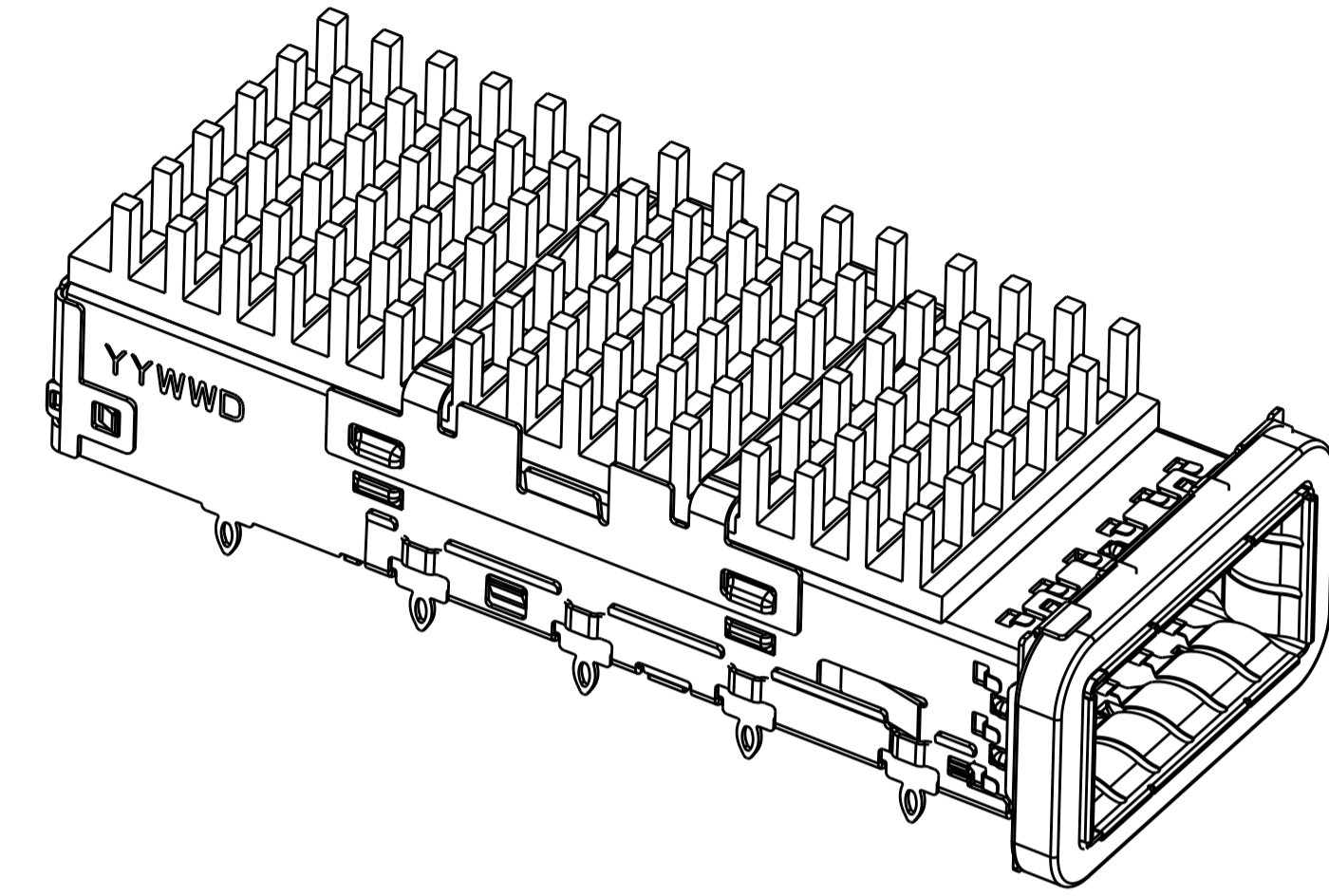
THIS DRAWING IS A CONTROLLED DOCUMENT.		OWN: JASON YANG 01APR2014	TE Connectivity	
DIMENSIONS: mm		CHK: SEAN HAN 30DEC2015		
TOLERANCES UNLESS OTHERWISE SPECIFIED:		APVD: SEAN HAN	NAME: CAGE ASSEMBLY, QSFP28 1X1, THRU BEZEL, WITH EMI GASKET HEAT SINK	
0 PLC ±0.25		PRODUCT SPEC: 108-19428	SIZE: A1	
1 PLC ±0.25		APPLICATION SPEC: 114-32023	CAGE CODE: 00779	
2 PLC ±0.25		WEIGHT: -	DRAWING NO: 2170753	
3 PLC ±0.25		FINISH: -	CUSTOMER DRAWING	
4 PLC ±0.100		SCALE: 4:1	SHEET 1 OF 5	
ANGLES ±°		REV A		

LOC	DIST	REVISIONS			
P	LTN	DESCRIPTION	DATE	OWN	APVD
-	-	SEE SHEET 1	-	-	-

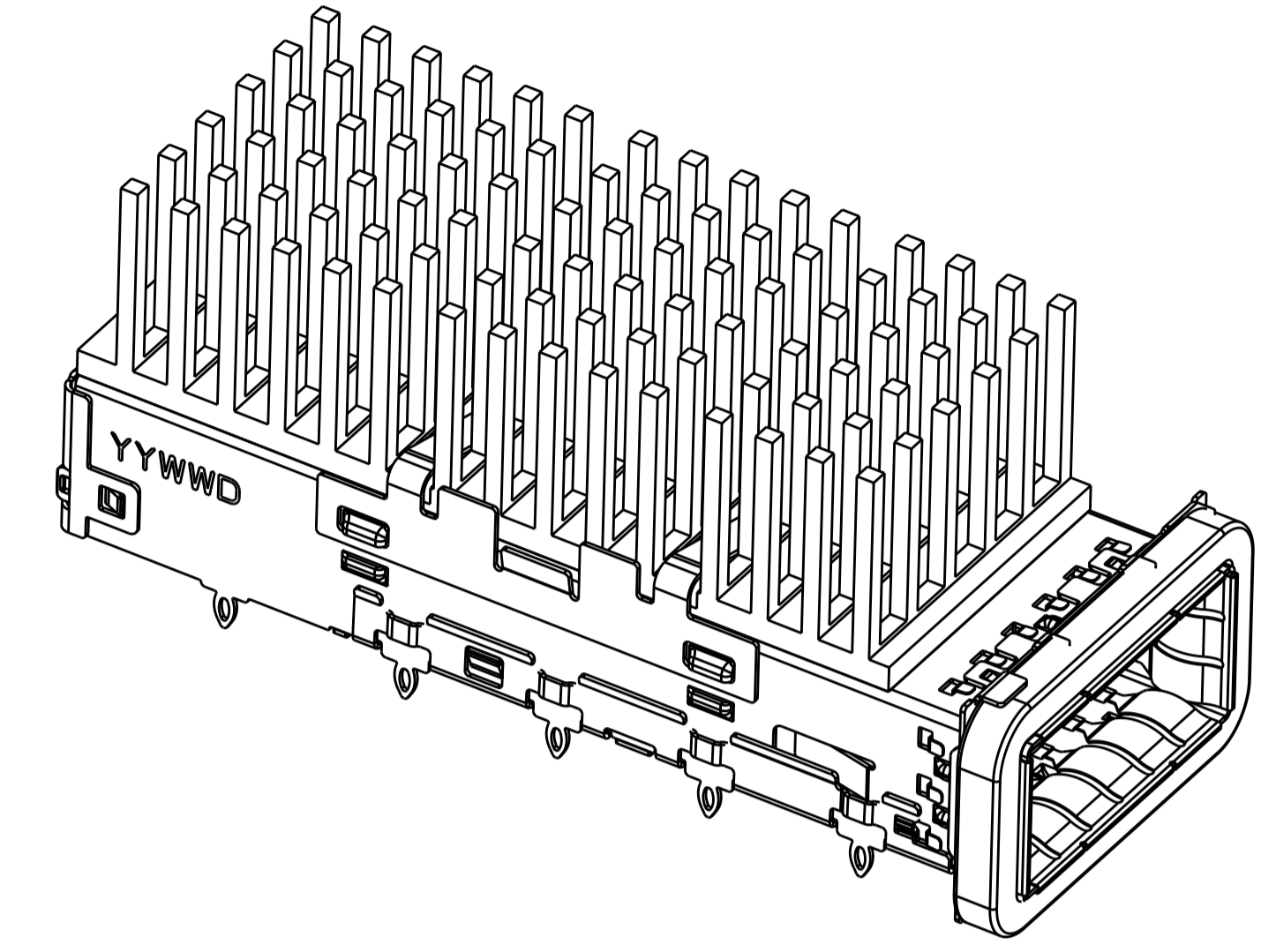
HEAT SINK OPTIONS



PCI HEAT SINK
SCALE 3:1

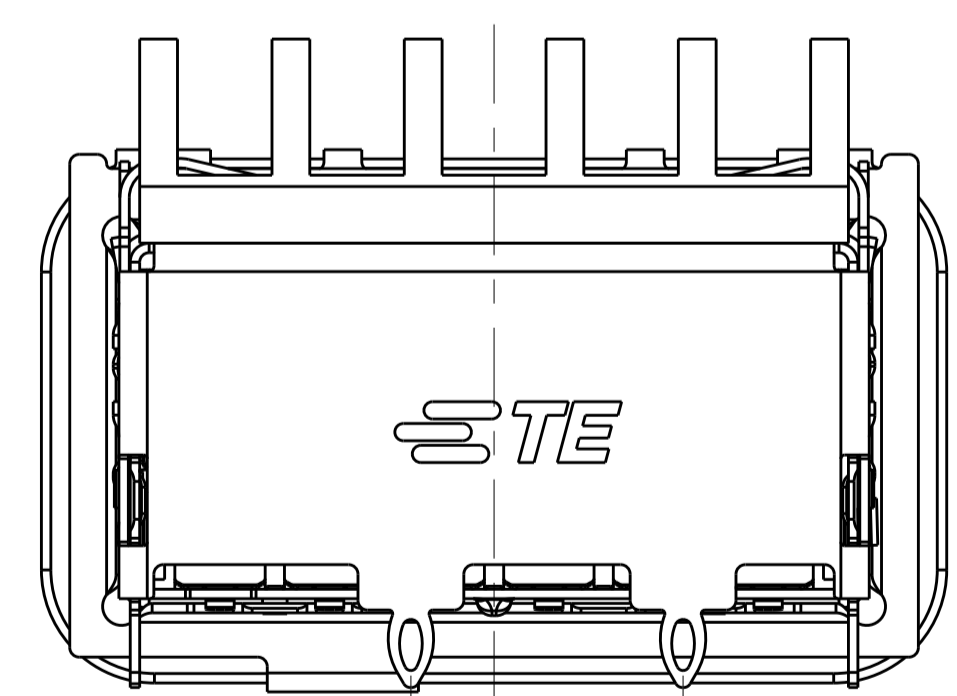


SAN HEAT SINK
SCALE 3:1

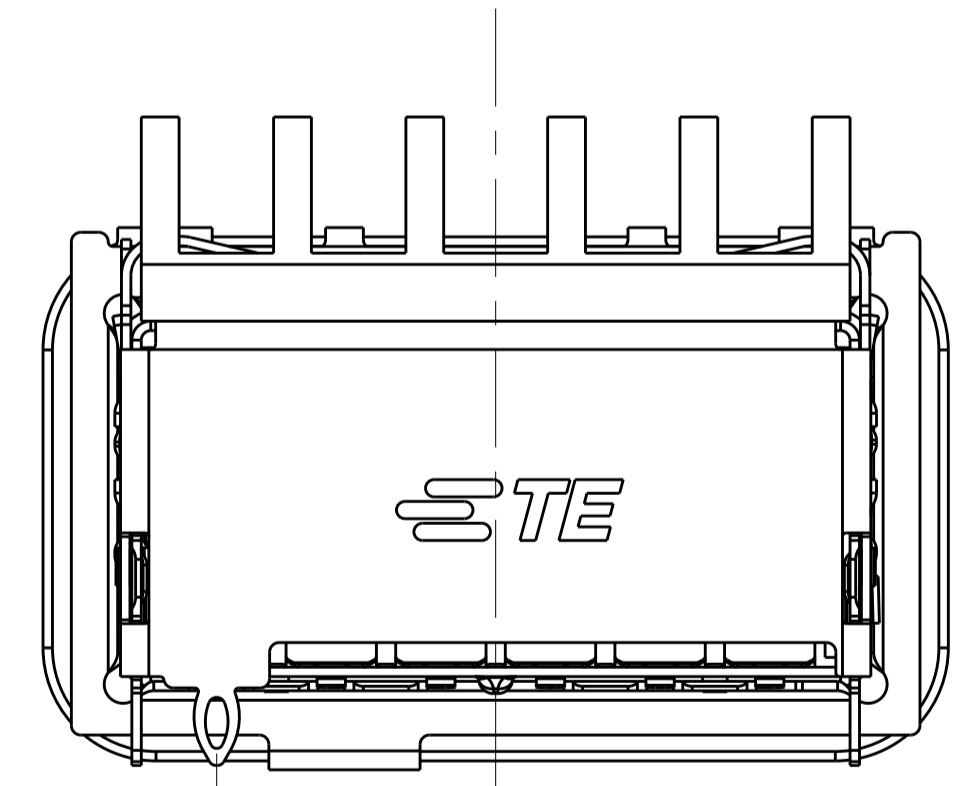


NETWORKING HEAT SINK
SCALE 3:1

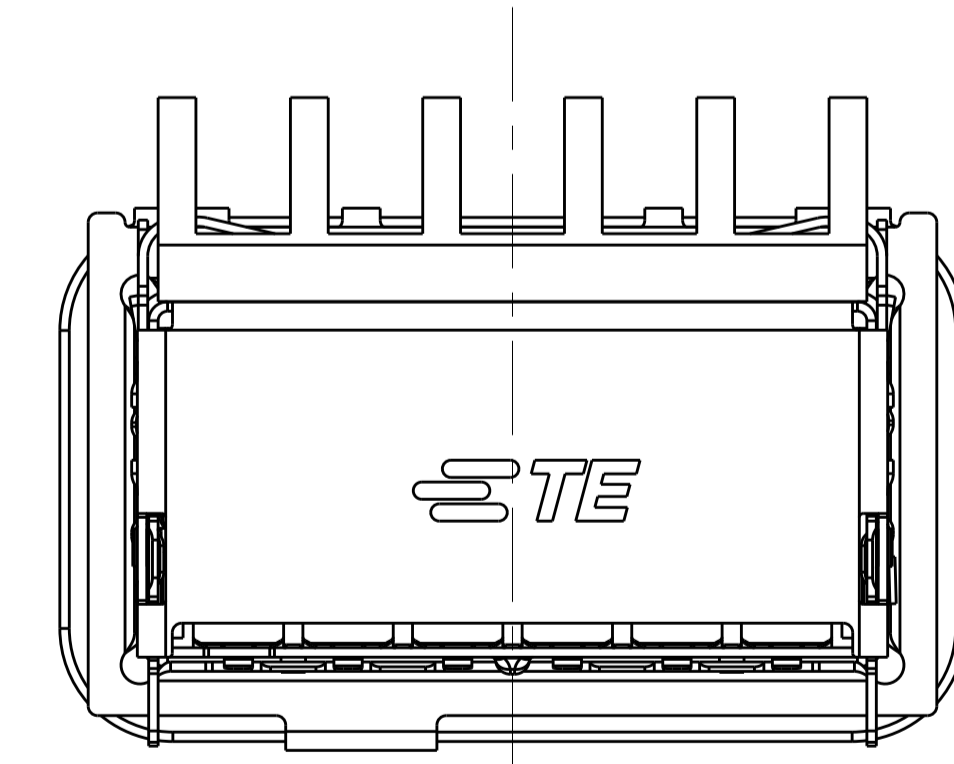
OF REAR LEGS OPTIONS



2 REAR LEGS
SCALE 5:1



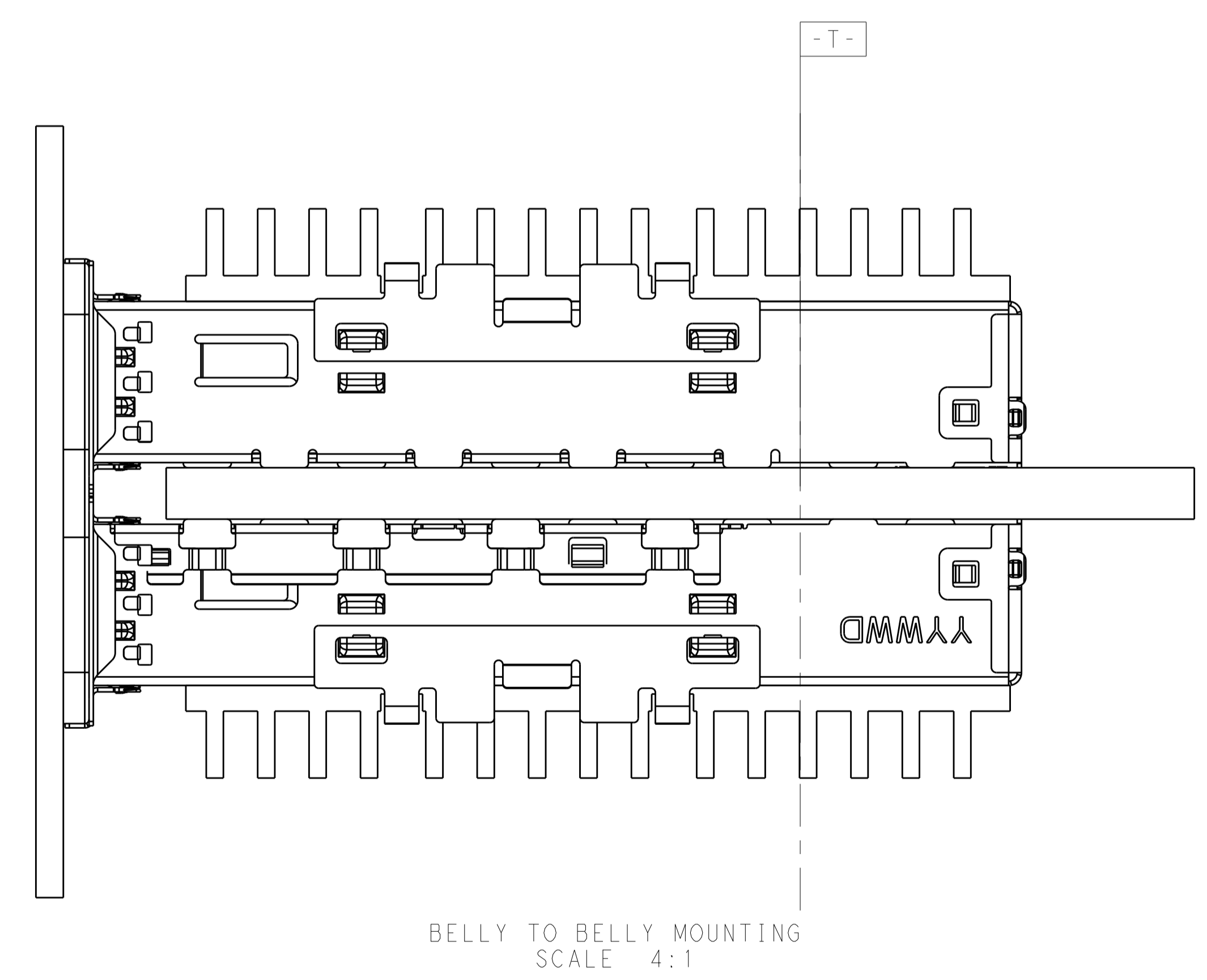
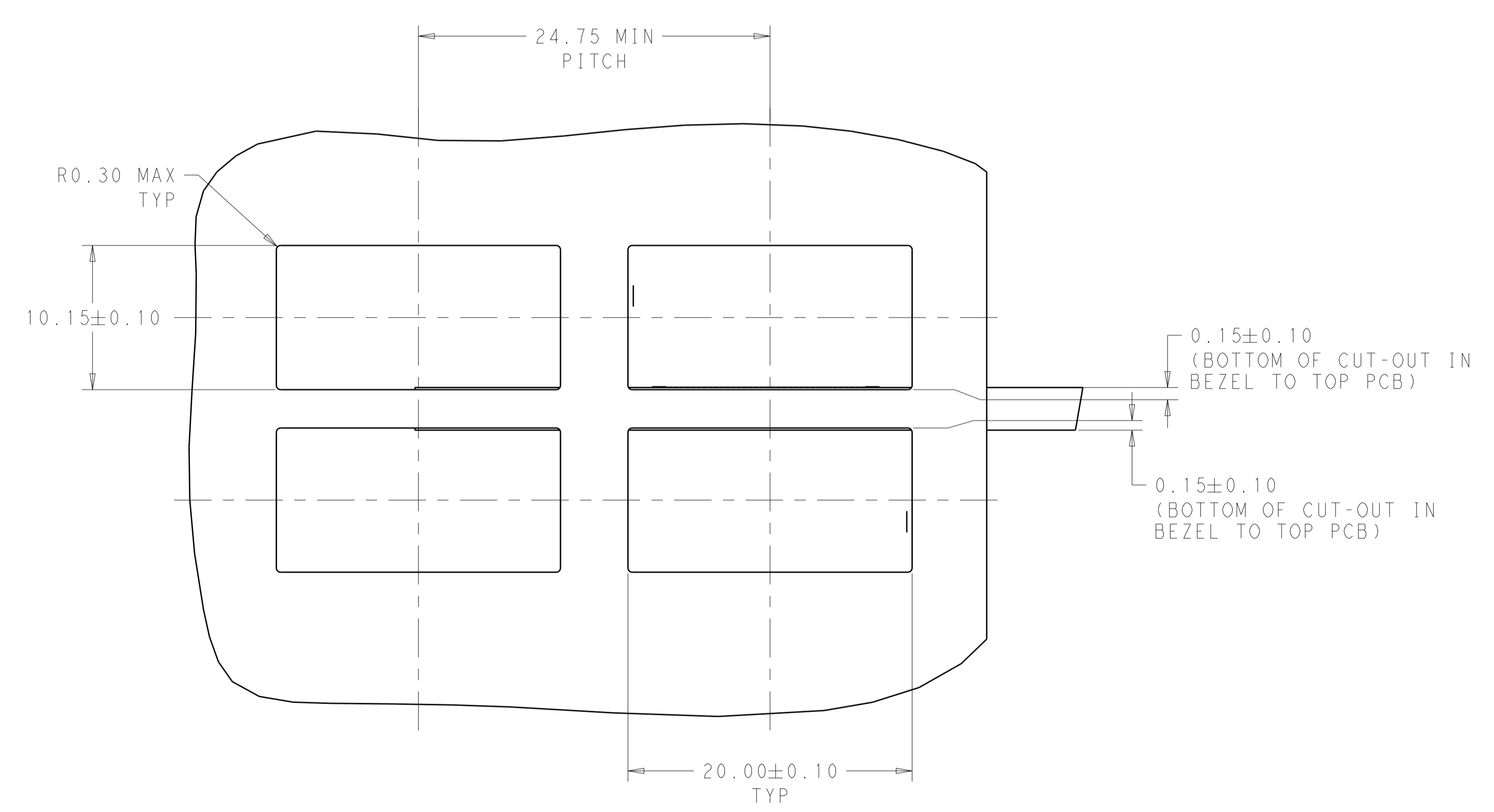
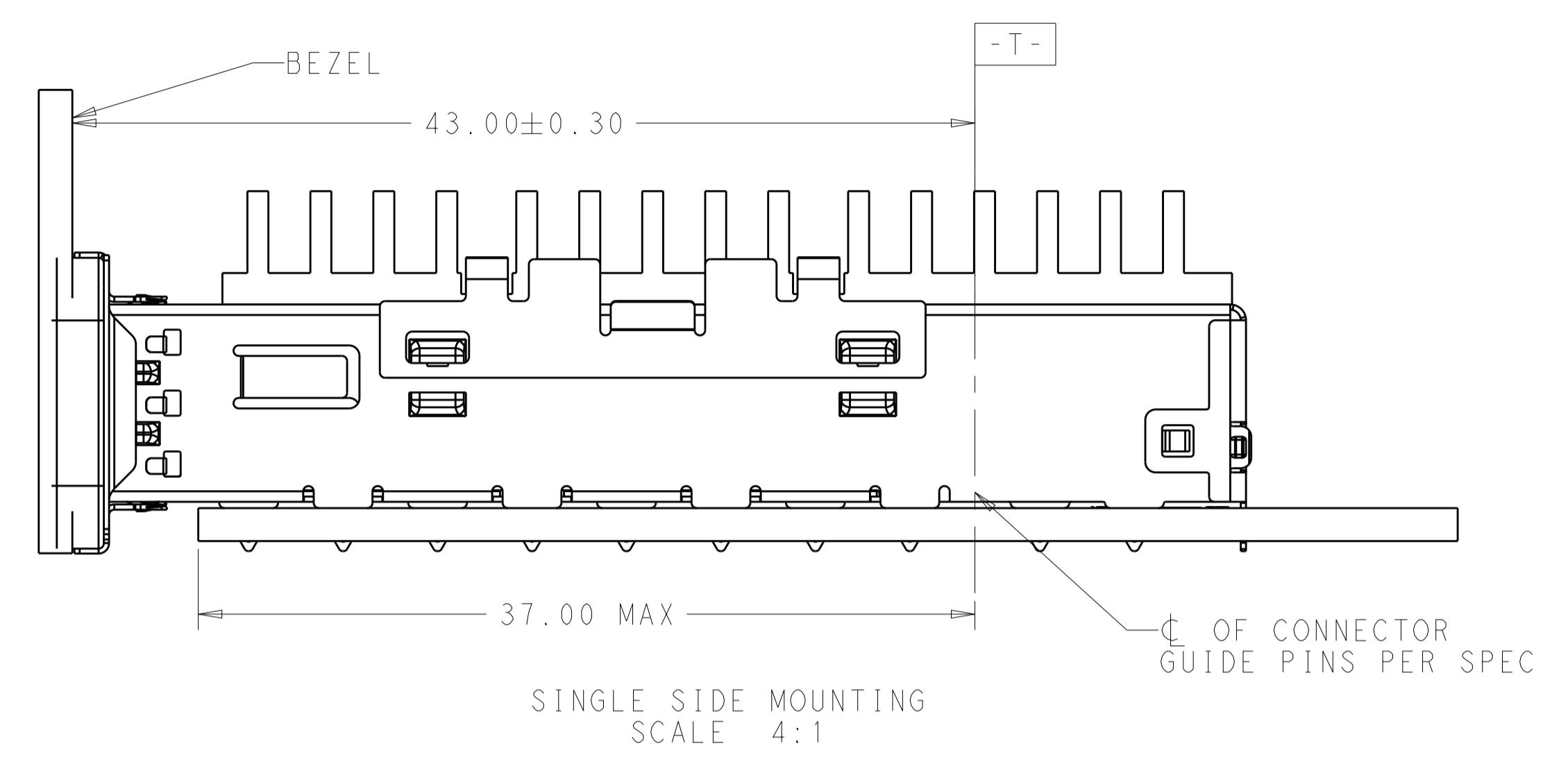
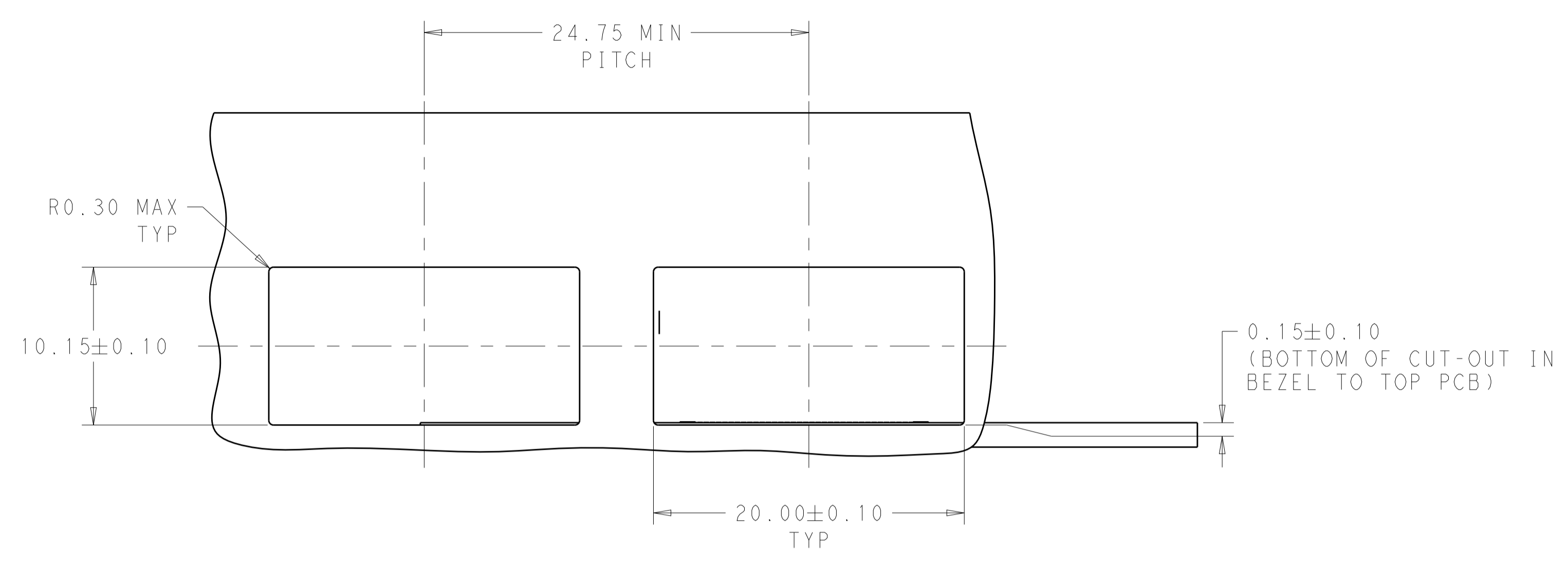
1 REAR LEG
SCALE 5:1



0 REAR LEG
SCALE 5:1

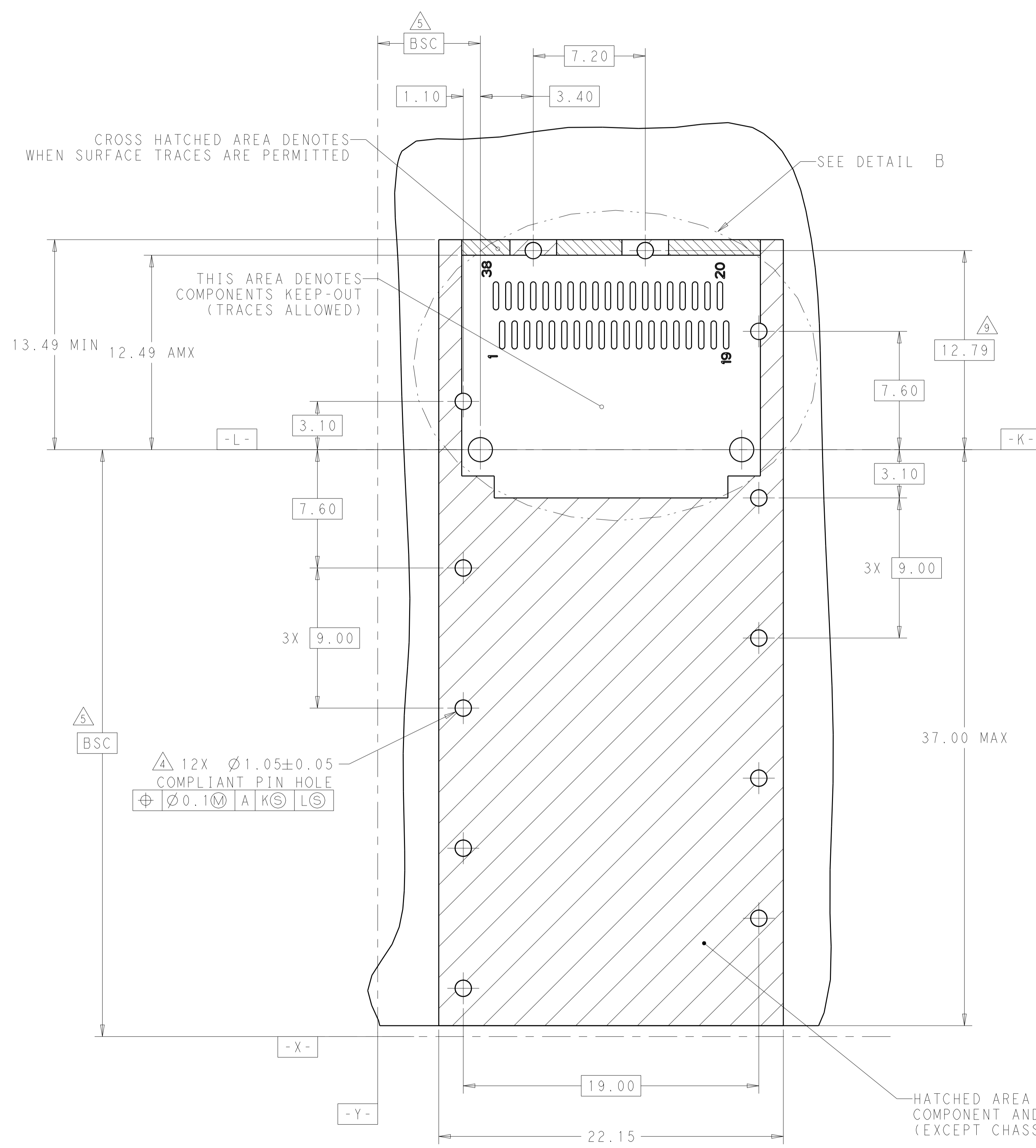
THIS DRAWING IS A CONTROLLED DOCUMENT.		OWN: JASON YANG 01APR2014	TE Connectivity
		CHK: SEAN HAN 30DEC2015	
DIMENSIONS:		NAME: CAGE ASSEMBLY, QSFP28 1X1, THRU BEZEL, WITH EMI GASKET HEAT SINK	
mm	0 PLC ±0.25	PRODUCT SPEC: 108-19428	RESTRICTED TO:
	1 PLC ±0.25	APPLICATION SPEC: 114-32023	SIZE: A1
	2 PLC ±0.20	WEIGHT: -	CAGE CODE: 100779
	3 PLC ±0.100	Customer Drawing	DRAWING NO: C=2170753
	4 PLC ±	SCALE: 4:1	SHEET 2 OF 5
	ANGLES ±°	REV: A	
MATERIAL: -	FINISH: -		

LOC		DIST		REVISIONS			
P	LTN	DESCRIPTION	DATE	DWN	APVD		
-	-	SEE SHEET 1	-	-	-		

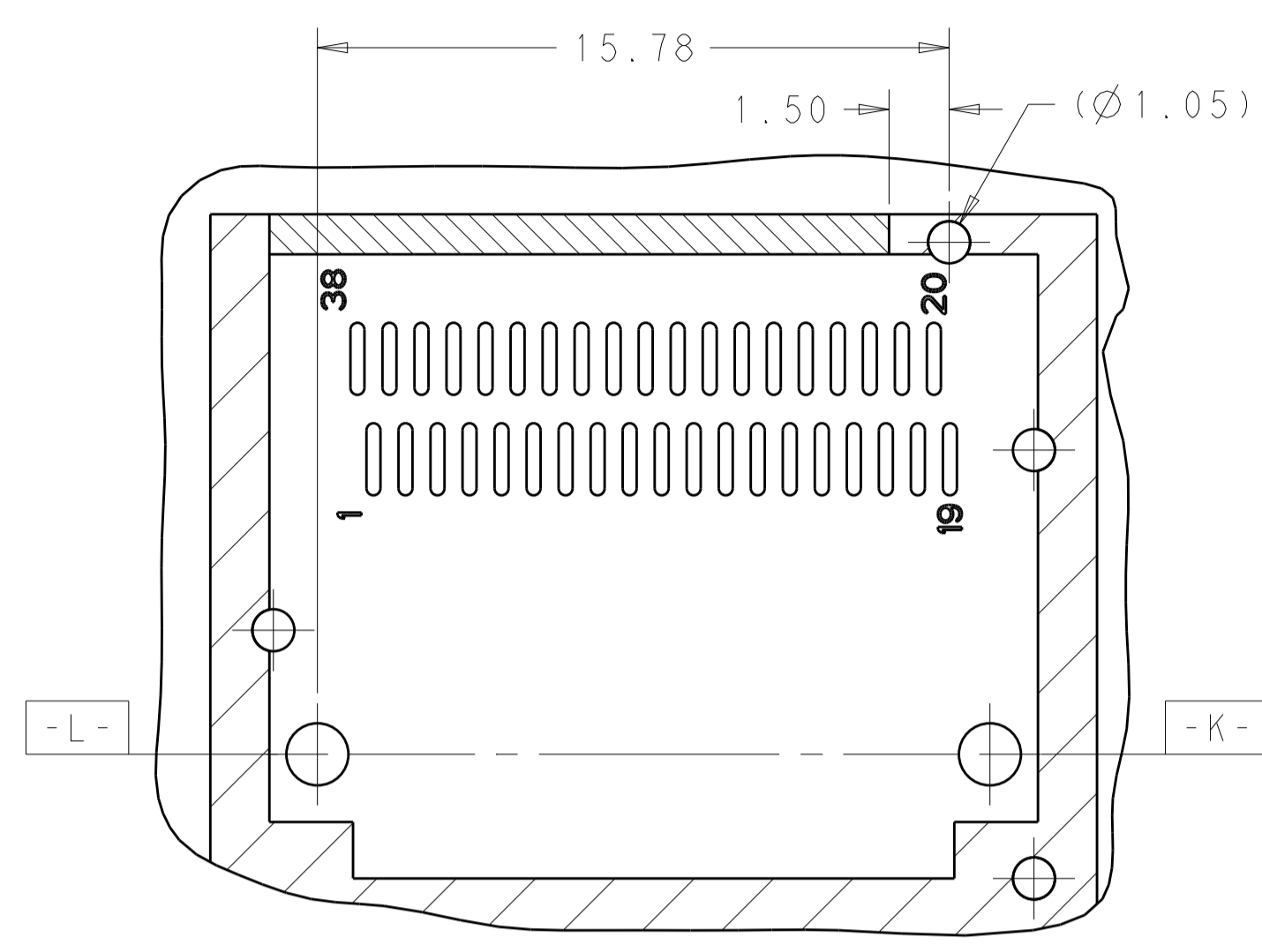


THIS DRAWING IS A CONTROLLED DOCUMENT.		DWN: JASON YANG 01APR2014	TE Connectivity
		CHK: SEAN HAN 30DEC2015	
DIMENSIONS:		TOLERANCES UNLESS OTHERWISE SPECIFIED:	NAME: CAGE ASSEMBLY, QSFP28 1X1, THRU BEZEL, WITH EMI GASKET HEAT SINK
mm	0 PLC ±0.25	1 PLC ±0.25	PRODUCT SPEC: 108-19428
	2 PLC ±0.20	3 PLC ±0.100	APPLICATION SPEC
	4 PLC ±"	ANGLES ±"	SIZE: CAGE CODE: DRAWING NO: A100779C=2170753
MATERIAL:	FINISH:	WEIGHT:	RESTRICTED TO:
-	-	-	Customer Drawing
SCALE: 4:1			SHEET 3 OF 5
			REV: A

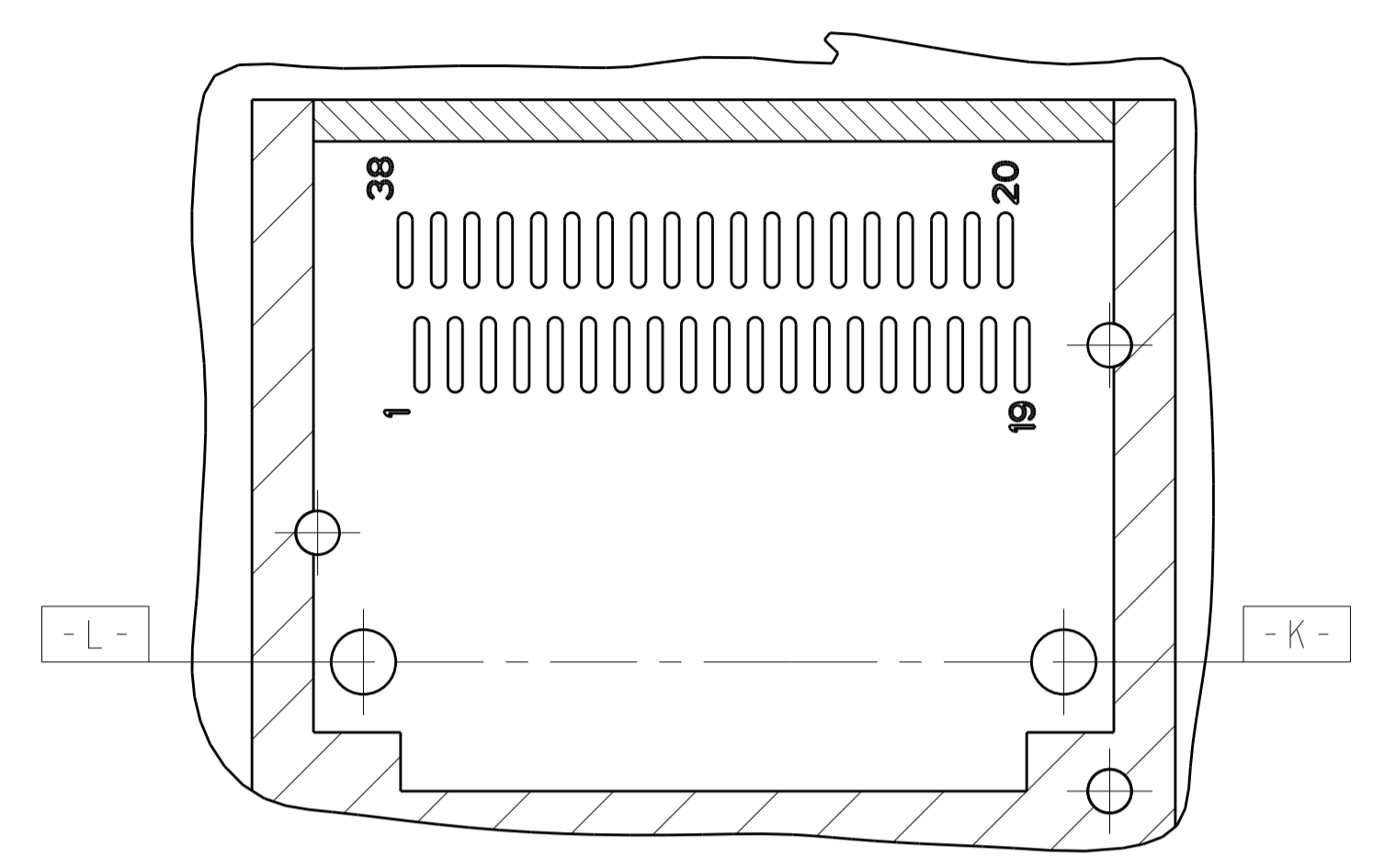
LOC		DIST		REVISIONS			
P	LTN	DESCRIPTION	DATE	DMN	APVD		
-	-	SEE SHEET 1	-	-	-		



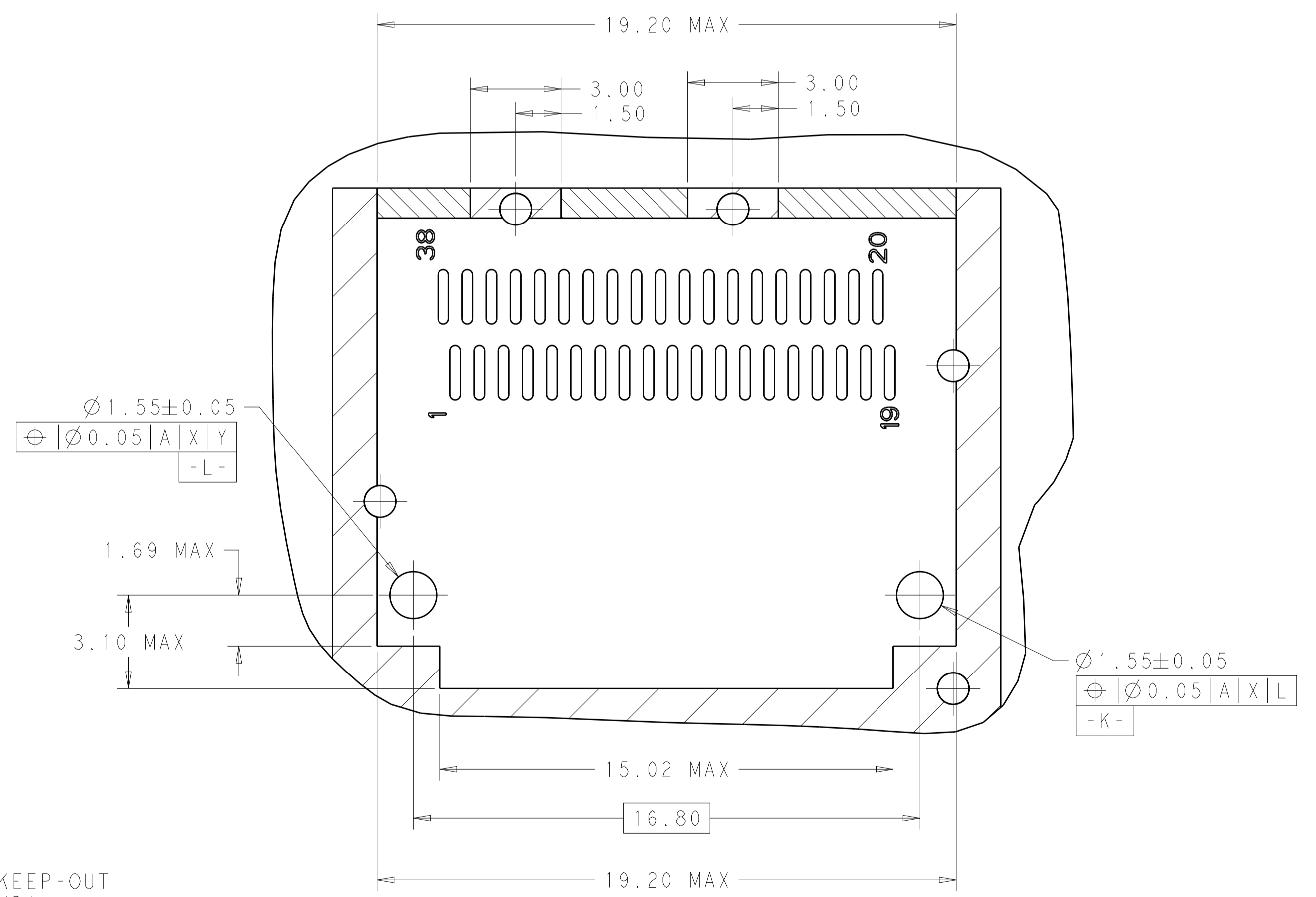
RECOMMENDED PCB LAYOUT
 SINGLE TYPE OF 2 REAR HOLES OF LEGS
 PCB TOLERANCE: ±0.05
 SCALE 6:1



RECOMMENDED PCB LAYOUT
 SINGLE TYPE OF 1 REAR HOLES OF LEGS
 PCB TOLERANCE: ±0.05
 SCALE 6:1



RECOMMENDED PCB LAYOUT
 SINGLE TYPE OF 0 REAR HOLES OF LEGS
 PCB TOLERANCE: ±0.05
 SCALE 6:1



DETAIL B
 SCALE 8:1

HATCHED AREA DENOTES
 COMPONENT AND TRACE KEEP-OUT
 (EXCEPT CHASSIS GROUND)

THIS DRAWING IS A CONTROLLED DOCUMENT.		DMN: JASON YANG 01APR2014	TE Connectivity
DIMENSIONS: mm		CHK: SEAN HAN 30DEC2015	
TOLERANCES UNLESS OTHERWISE SPECIFIED:		APVD: -	NAME: CAGE ASSEMBLY, QSFP28 1X1, THRU BEZEL, WITH EMI GASKET HEAT SINK
0 PLC ±0.25	1 PLC ±0.25	PRODUCT SPEC: 108-19428	SIZE: A100779
2 PLC ±0.20	3 PLC ±0.100	APPLICATION SPEC: 114-32023	CAGE CODE: C=2170753
4 PLC ±0.100	ANGLES ±°	WEIGHT: -	RESTRICTED TO: -
MATERIAL: -	FINISH: -	Customer Drawing	SCALE: 4:1 SHEET: 4 OF 5 REV: A