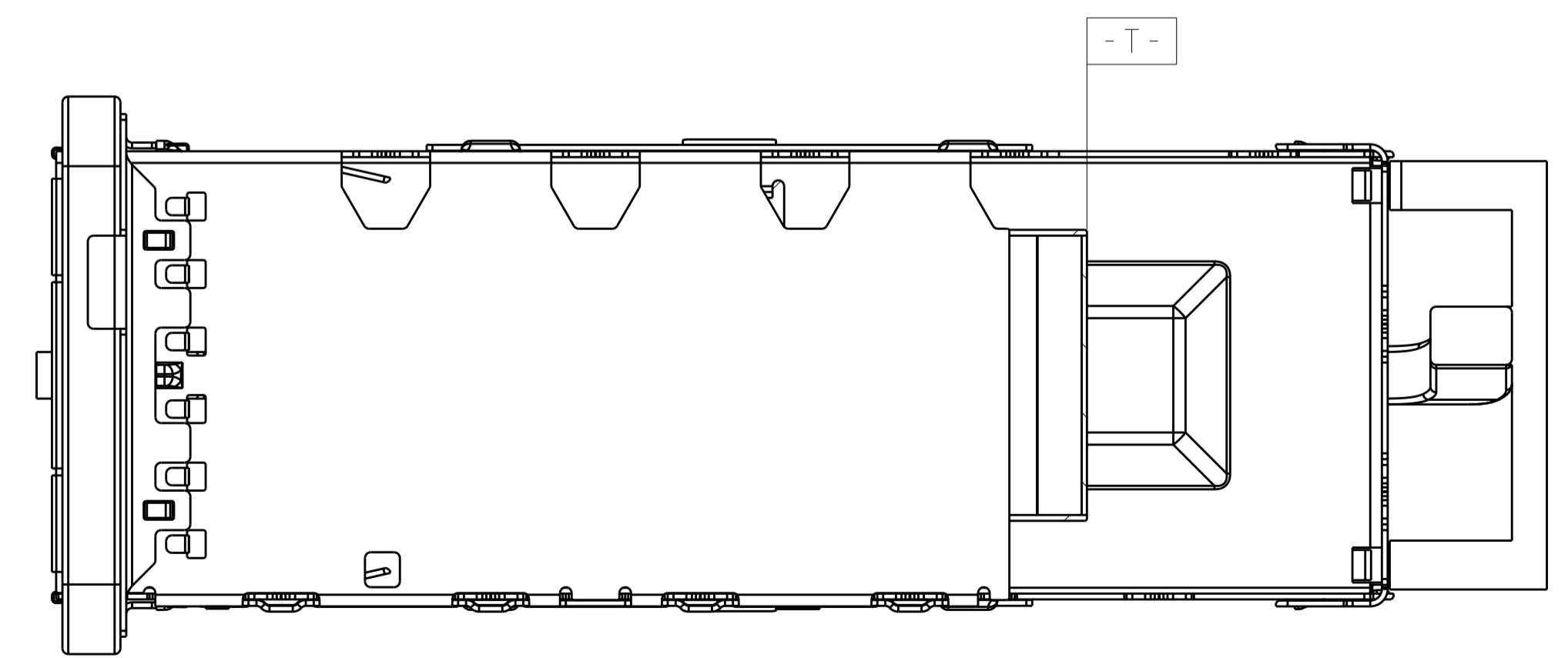
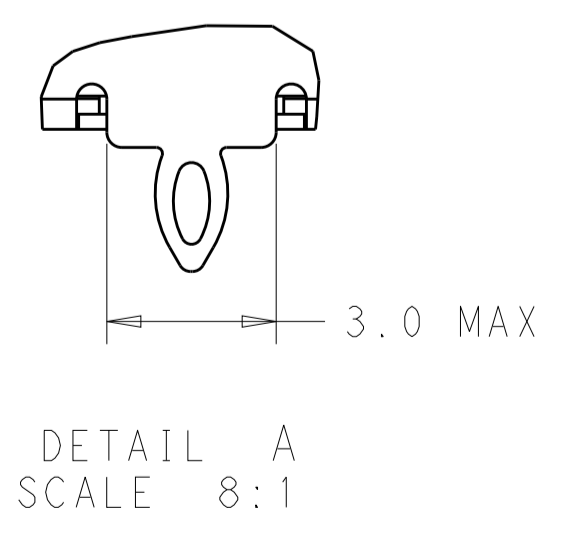
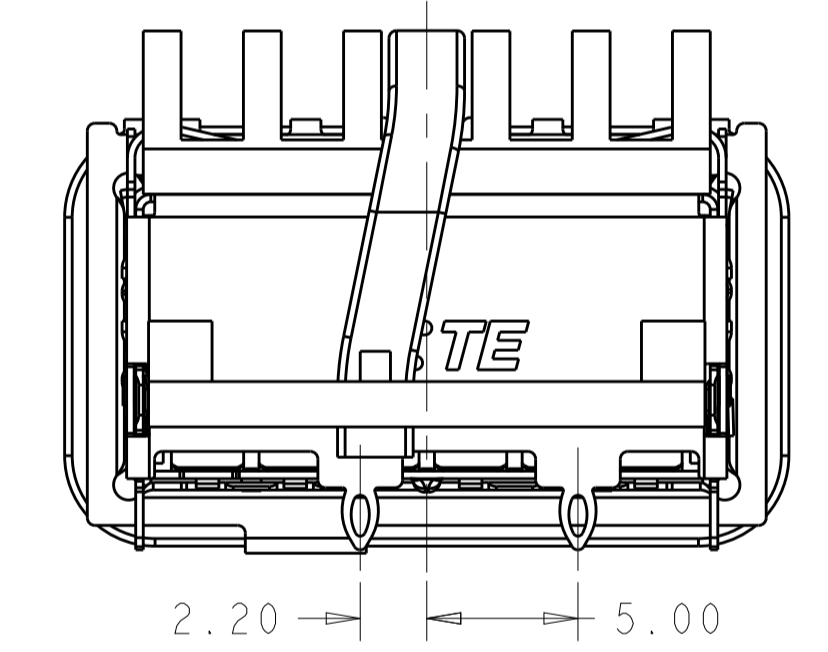
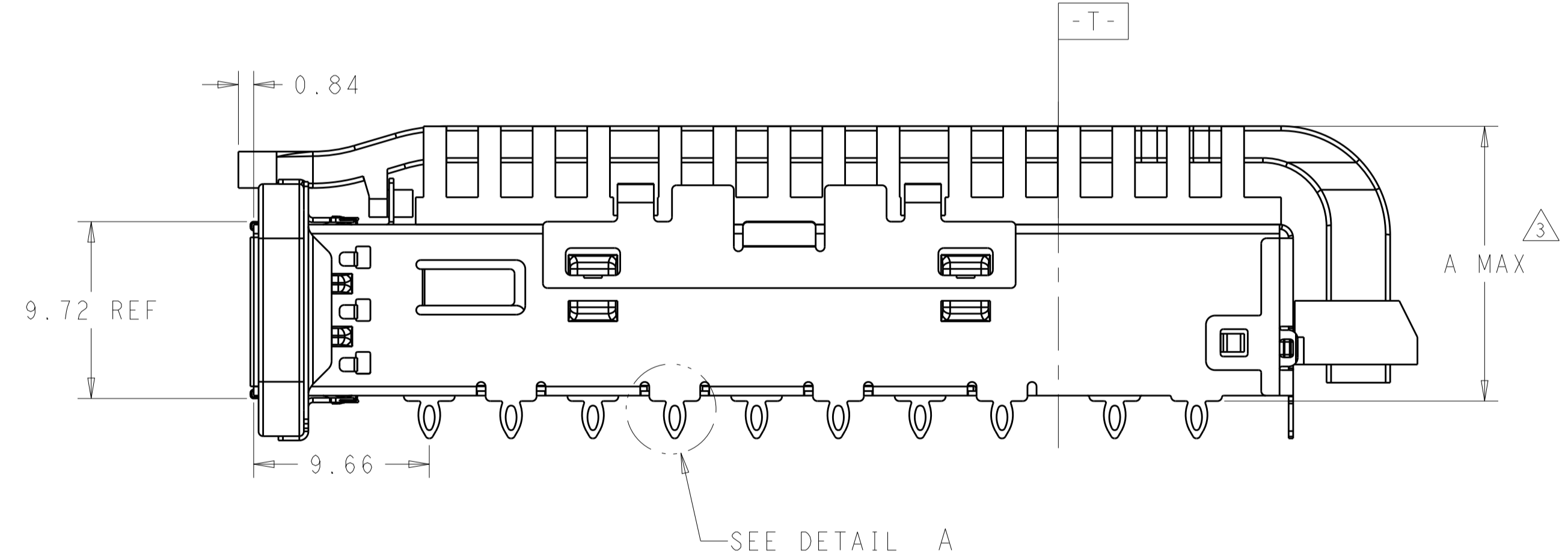
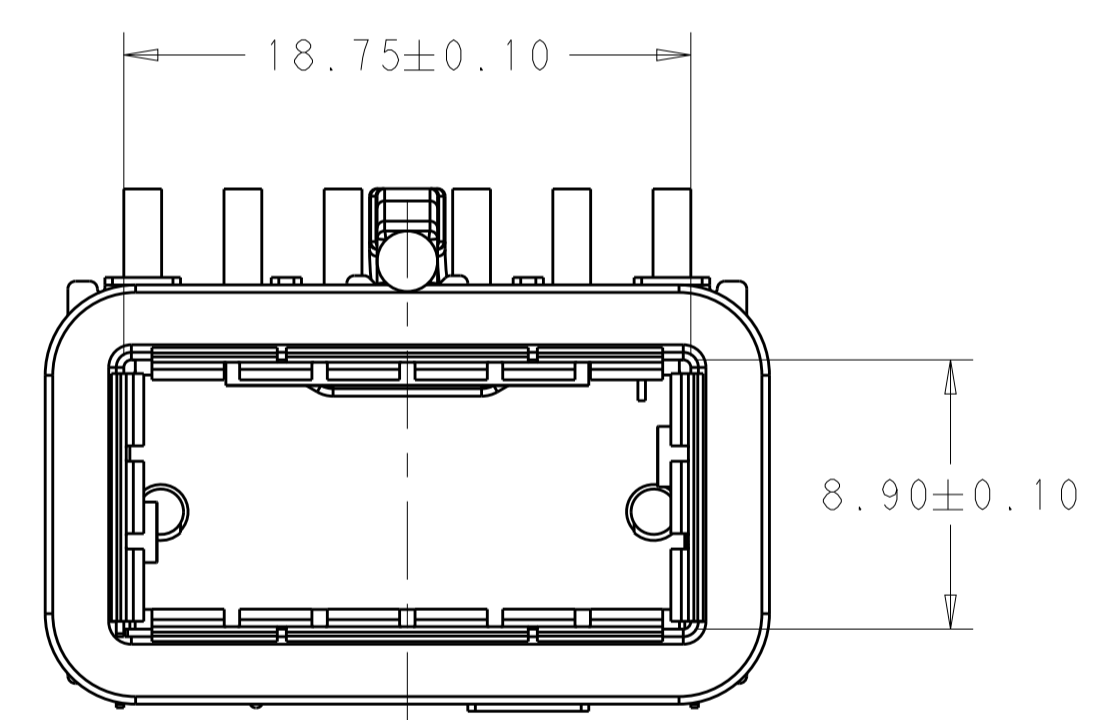
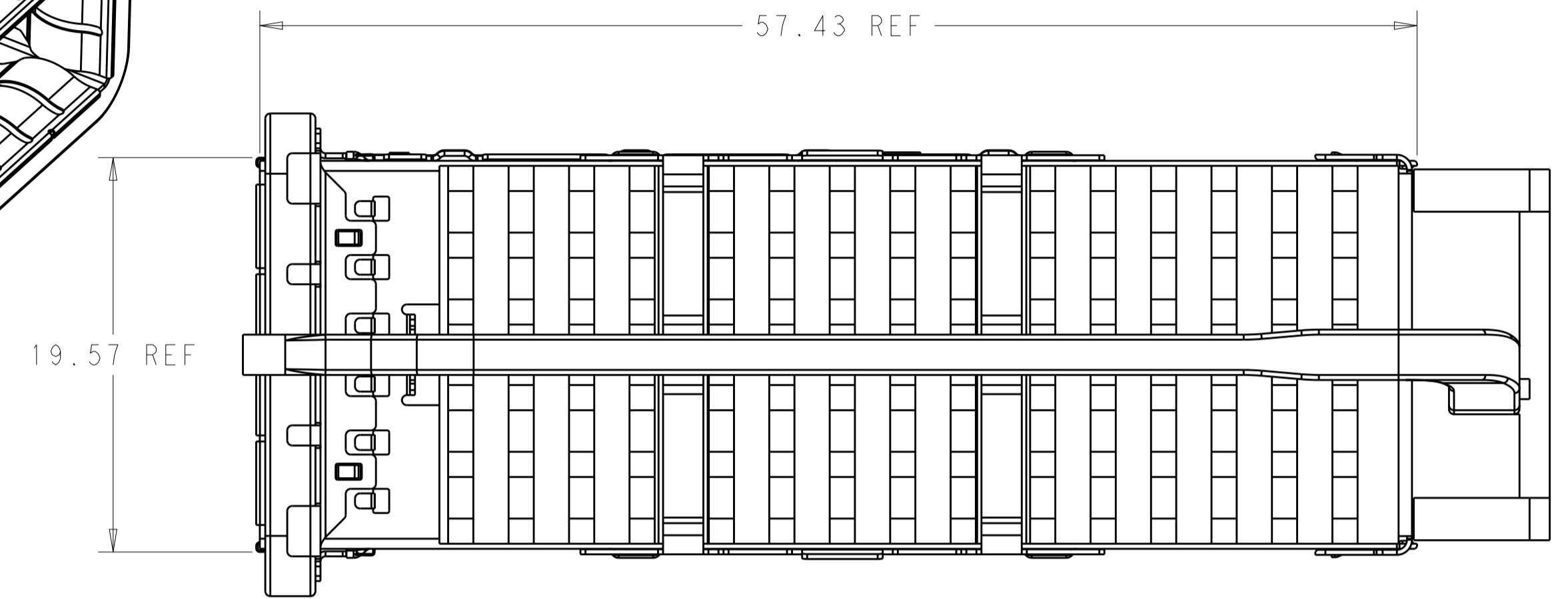
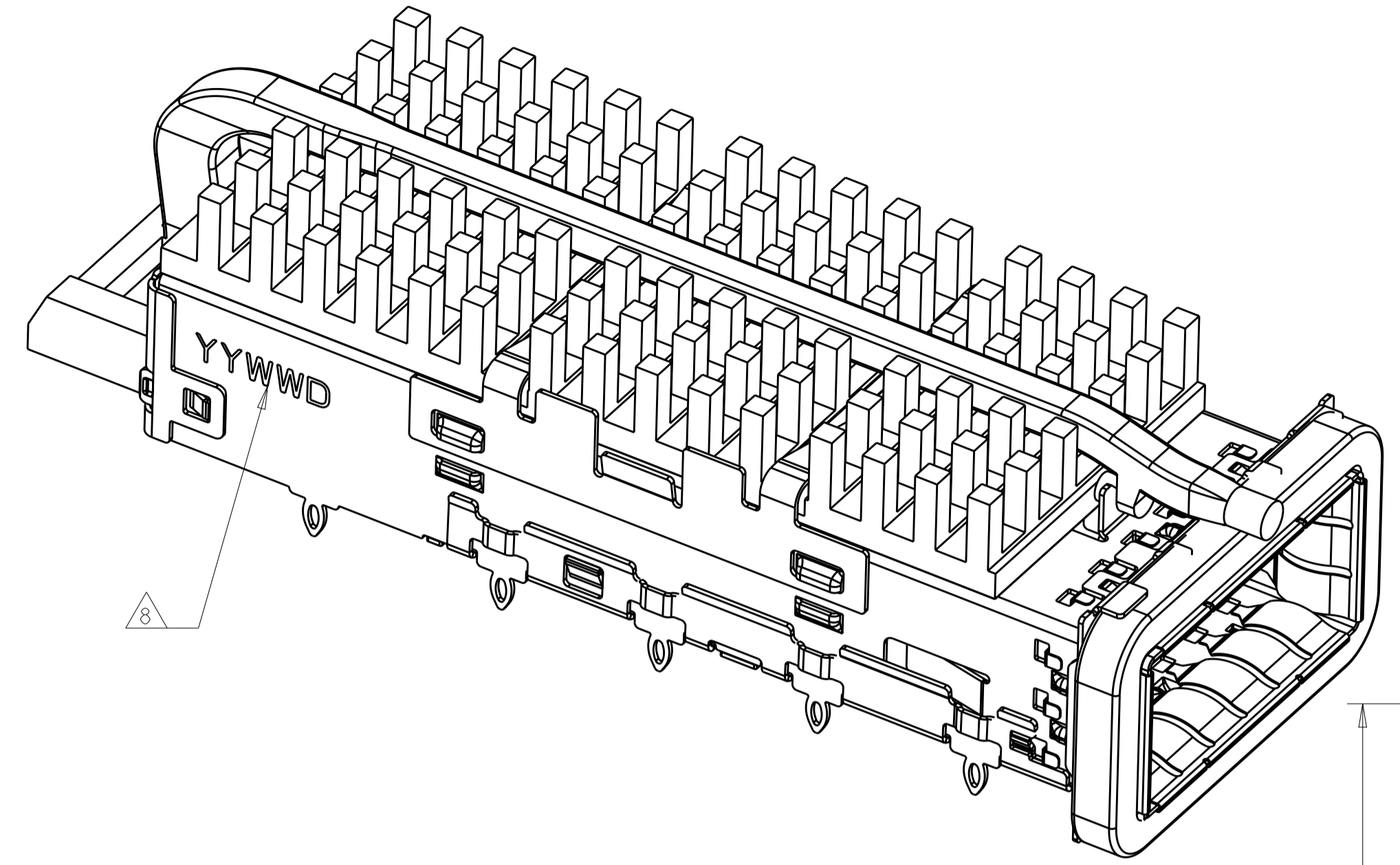


LOC	DIST	REVISIONS					
		P	LTN	DESCRIPTION	DATE	DWN	APVD
		A		RELEASE	30DEC2015	JY	SH
		B		REVISED PER ECO-19-016043	21OCT2019	SH	SH



1. MATERIAL:
 CAGE MATERIAL : 0.25 THICK NICKEL SILVER.
 SPRING MATERIAL : COPPER ALLOY
 HEAT SINK MATERIAL : ALUMINUM
 CLIP MATERIAL : STAINLESS STEEL
 LIGHT PIPE : POLYCARBONATE WITH 94 V-0
 EMI GASKET : PLATED FILLED SILICONE
 ORGANIZER MATERIAL : POLYESTER WITH 94 V-0

2. FINISH:
 SPRING : NICKEL PLATING
 HEAT SINK : BLACK ANODIZE

3. DIMENSION APPLIES WITH MODULE INSTALLED IN THE CAGE TO TOP OF HEAT SINK.

4. REFERENCE APPLICATION SPEC 114-32023 FOR RECOMMENDED DRILL HOLE DIAMETER AND PLATING THICKNESS.

5. DATUM AND BASIC DIMENSIONS ESTABLISHED BY CUSTOMERS.

6. MINIMUM PC BOARD THICKNESS :
 SINGLES SIDED : 1.57 MIN
 DOUBLE SIDED : 3.00 MIN

7. DATUM -A- IS TOP SURFACE OF THE HOST BOARD.

8. DATE CODE (YYWWD) MARKED APPROXIMATELY AS SHOWN

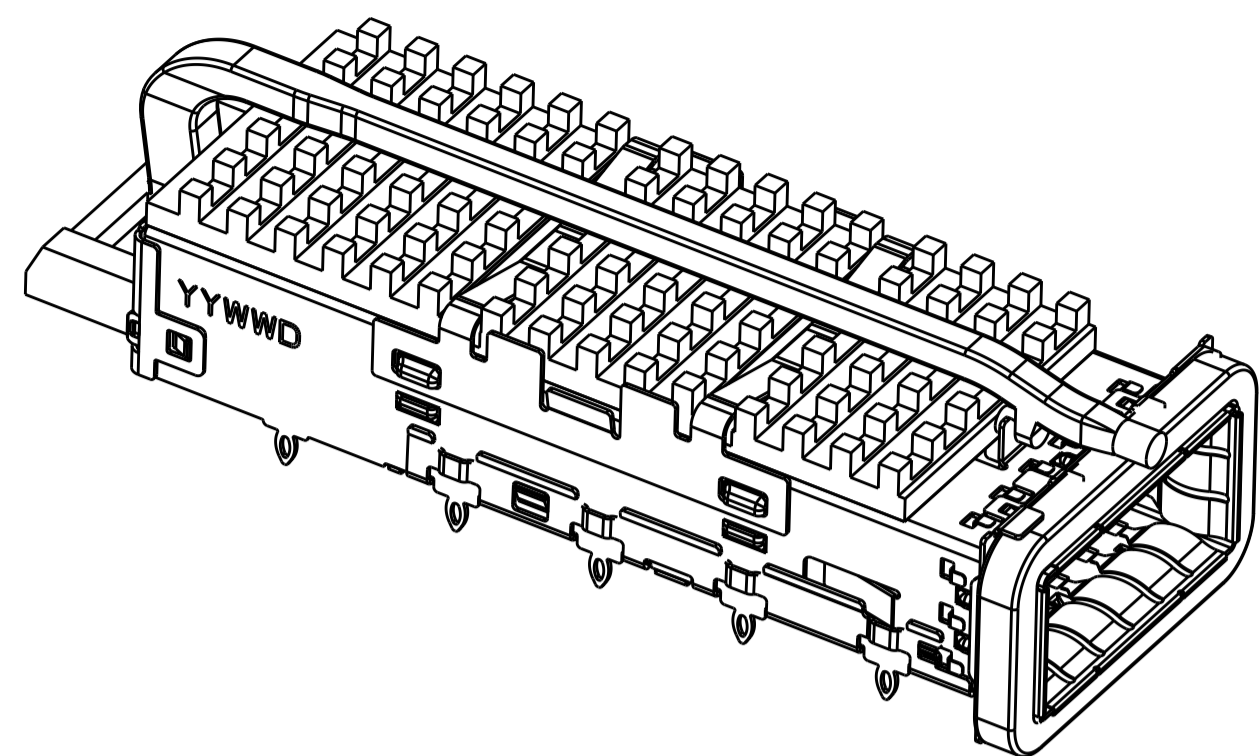
9. MATES WITH QSFP28 MSA COMPATIBLE TRANSCEIVER.

2170754-2 AS SHOWN

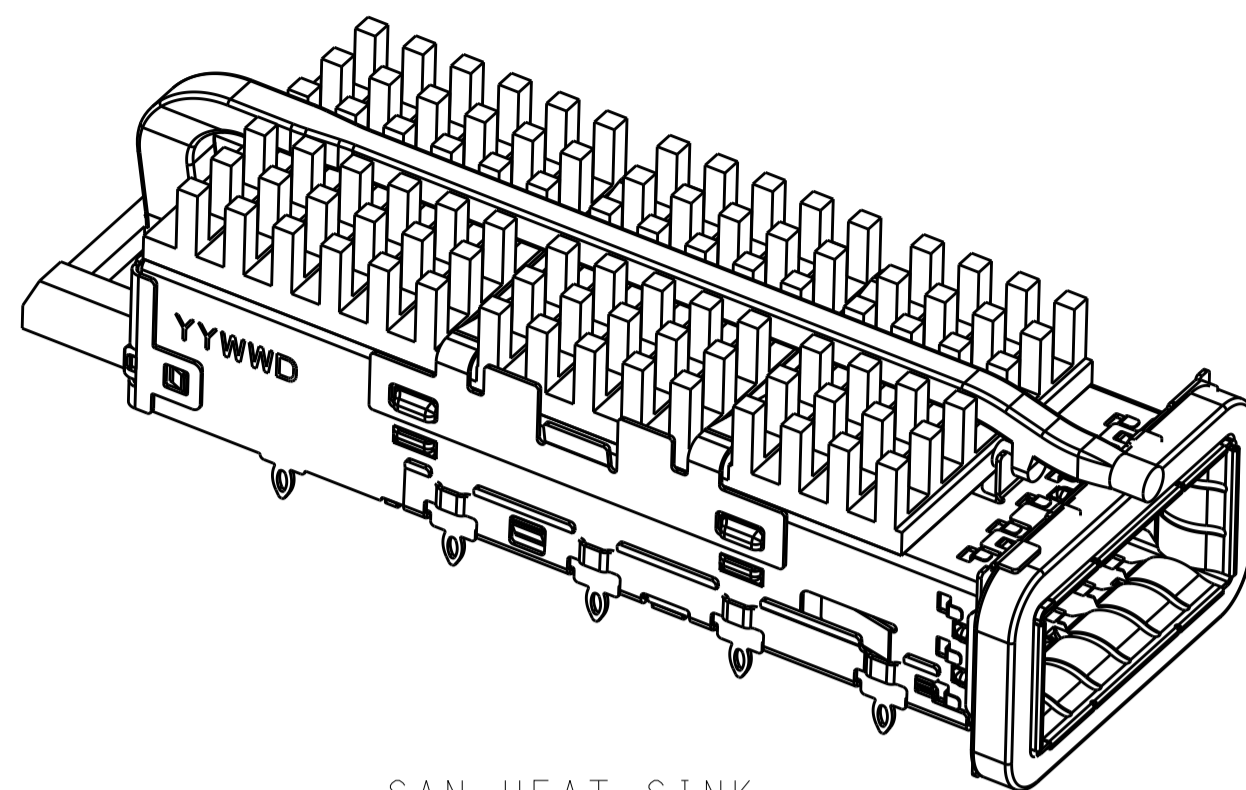
THIS DRAWING IS A CONTROLLED DOCUMENT.		DWN: JASON YANG 01APR2014		
		CHK: SEAN HAN 30DEC2015		
DIMENSIONS:		TOLERANCES UNLESS OTHERWISE SPECIFIED:		NAME
mm	0 PLC ±0.25	PRODUCT SPEC		CAGE ASSEMBLY, QSFP28 1X1,
	1 PLC ±0.25	108-19428		THRU BEZEL, WITH EMI GASKET
	2 PLC ±0.25	APPLICATION SPEC		HEAT SINK, LIGHT PIPE
	3 PLC ±0.25	114-32023		SIZE CAGE CODE DRAWING NO
	4 PLC ±0.100	WEIGHT		A100779C=2170754
	ANGLES ±°	CUSTOMER DRAWING		RESTRICTED TO
MATERIAL	FINISH	SCALE 2:1		SHEET 1 OF 7 REV B

LOC		DIST		REVISIONS			
P	LYR	DESCRIPTION	DATE	OWN	APVD		
-	-	SEE SHEET 1	-	-	-		

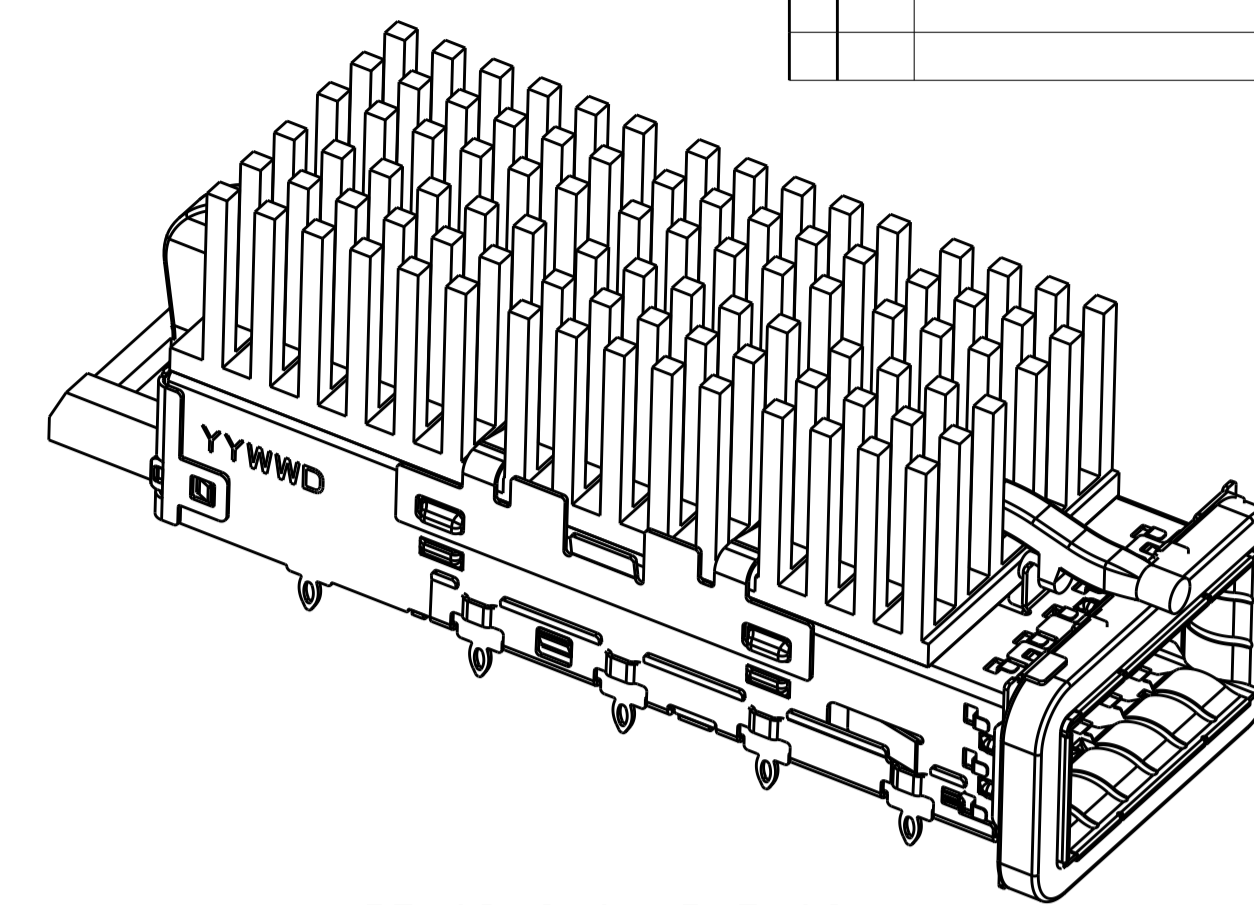
HEAT SINK OPTIONS



PCI HEAT SINK
SCALE 5:2

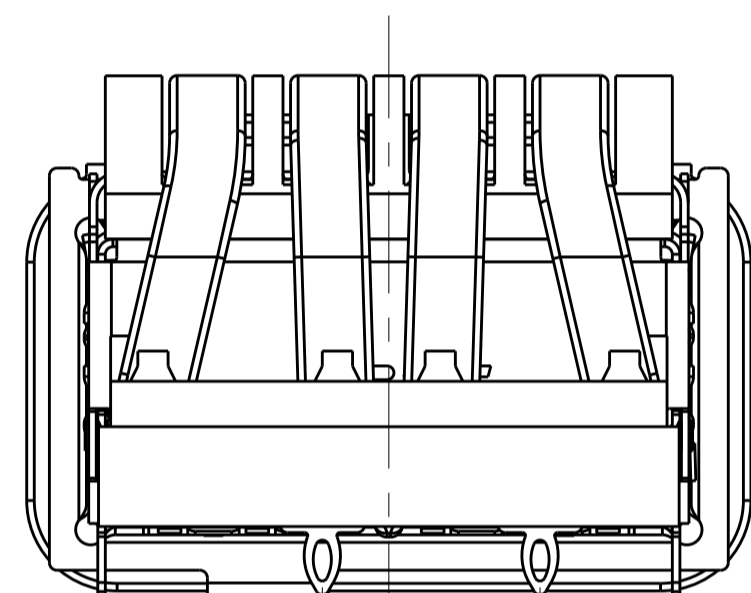


SAN HEAT SINK
SCALE 5:2



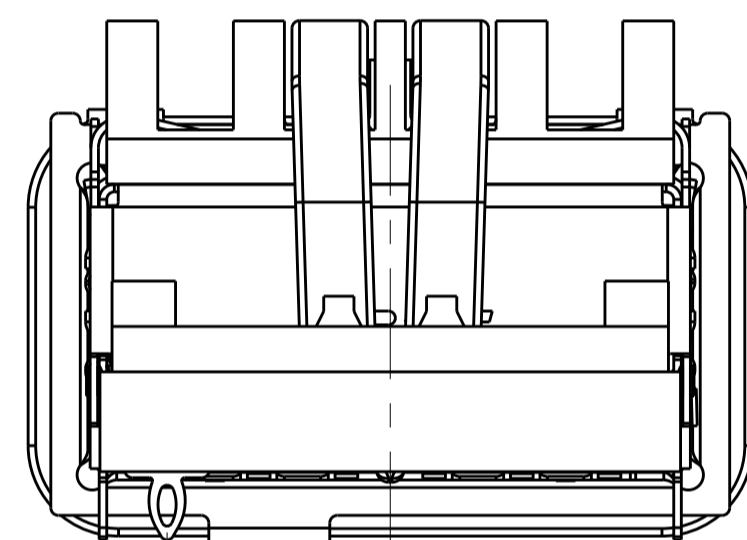
NETWORKING HEAT SINK
SCALE 5:2

OF REAR LEGS OPTIONS



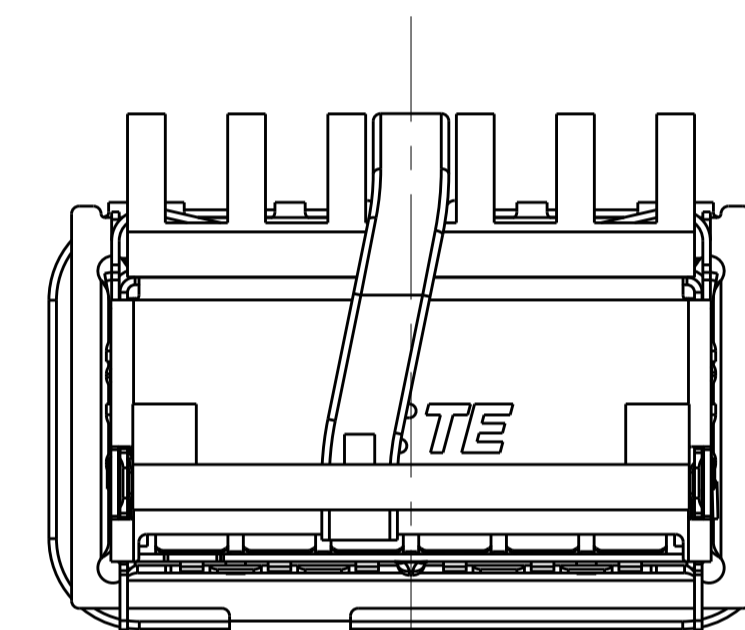
(2.20) (5.00)

2 REAR LEGS
SCALE 4:1



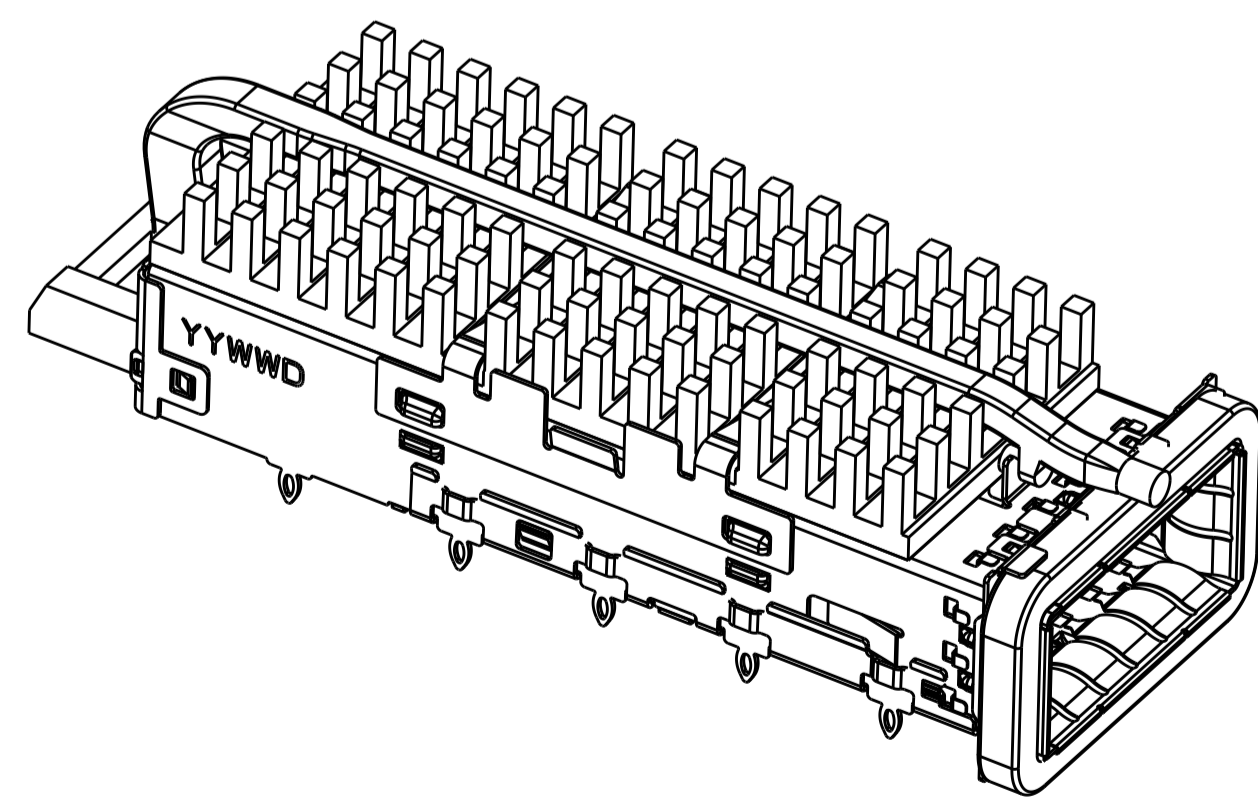
7.38

1 REAR LEG
SCALE 4:1

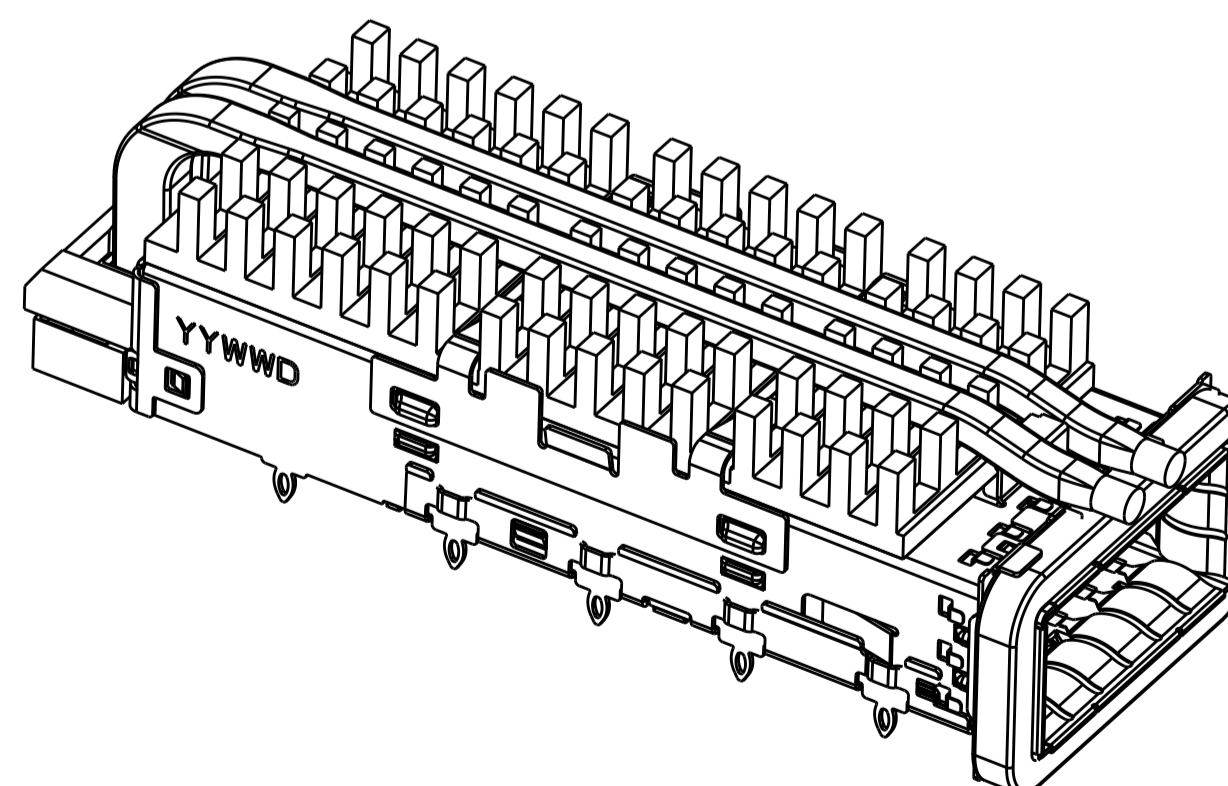


0 REAR LEG
SCALE 4:1

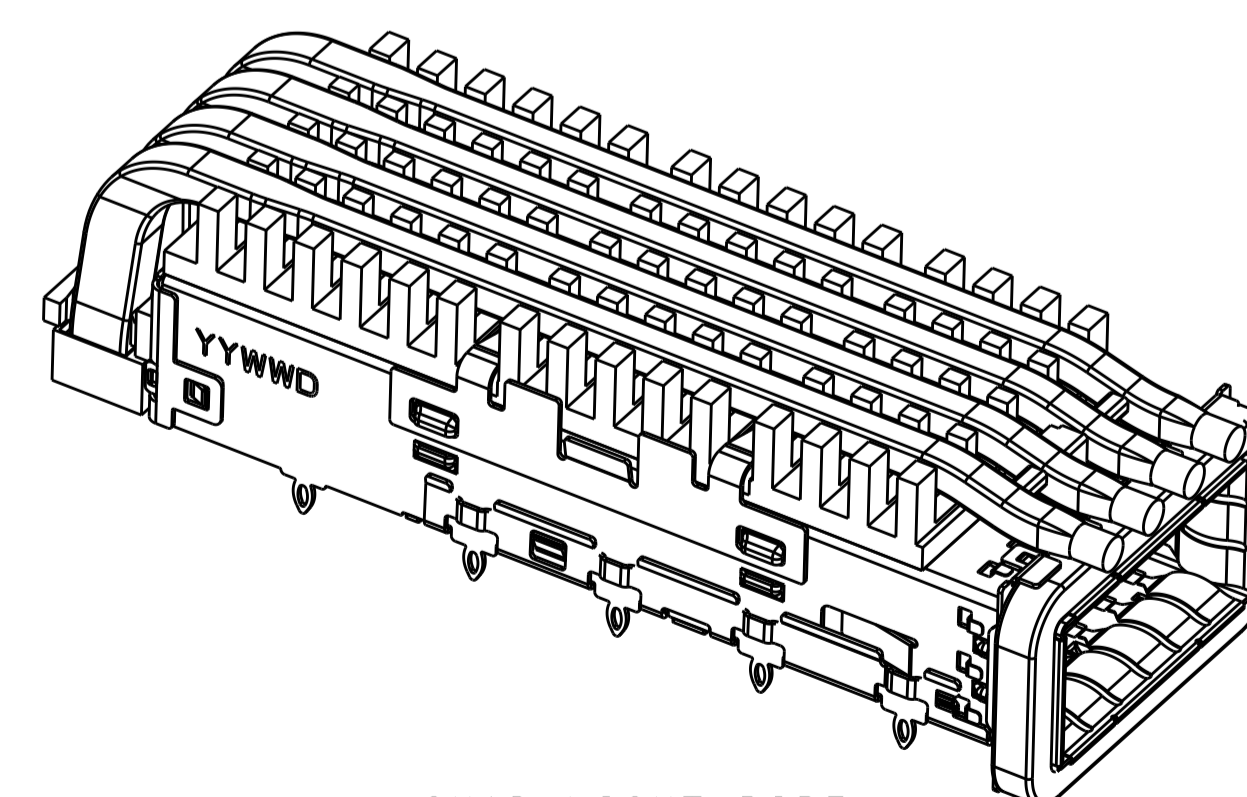
LIGHT PIPE OPTIONS



SINGLE LIGHT PIPE
SCALE 5:2



DUAL LIGHT PIPE
SCALE 5:2


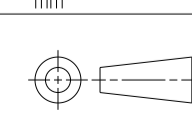


QUAD LIGHT PIPE
SCALE 5:2

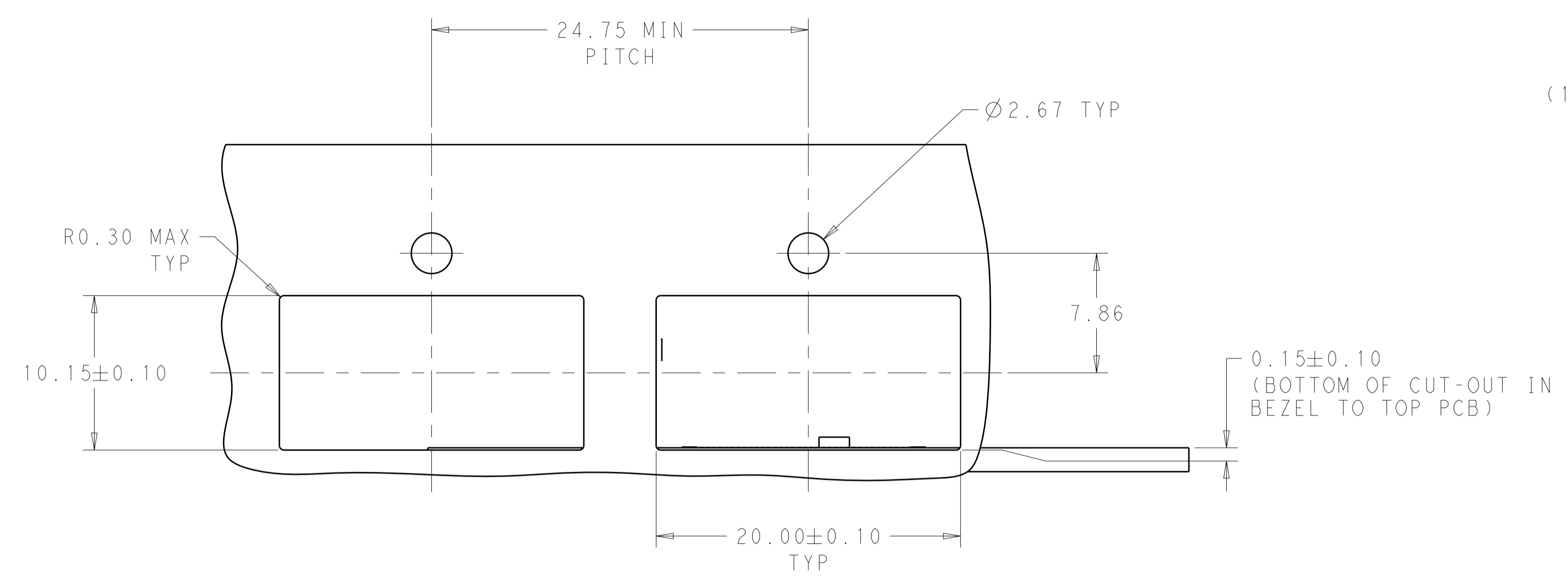
THIS DRAWING IS A CONTROLLED DOCUMENT.		OWN: JASON YANG 01APR2014	
DIMENSIONS: mm		CHK: SEAN HAN 30DEC2015	
TOLERANCES UNLESS OTHERWISE SPECIFIED:		APVD:	NAME: CAGE ASSEMBLY, QSFP28 1X1, THRU BEZEL, WITH EMI GASKET HEAT SINK, LIGHT PIPE
0 PLC ±0.25	1 PLC ±0.25	PRODUCT SPEC: 108-19428	SIZE: A1
2 PLC ±0.25	3 PLC ±0.25	APPLICATION SPEC: 114-32023	CAGE CODE: C=2170754
4 PLC ±0.100	ANGLES ±°	WEIGHT:	RESTRICTED TO: -
MATERIAL:	FINISH:	Customer Drawing	SCALE: 4:1 SHEET 2 OF 7 REV B

LOC	DIST	REVISIONS			
P	LTN	DESCRIPTION	DATE	OWN	APVD
-		SEE SHEET 1	-	-	-

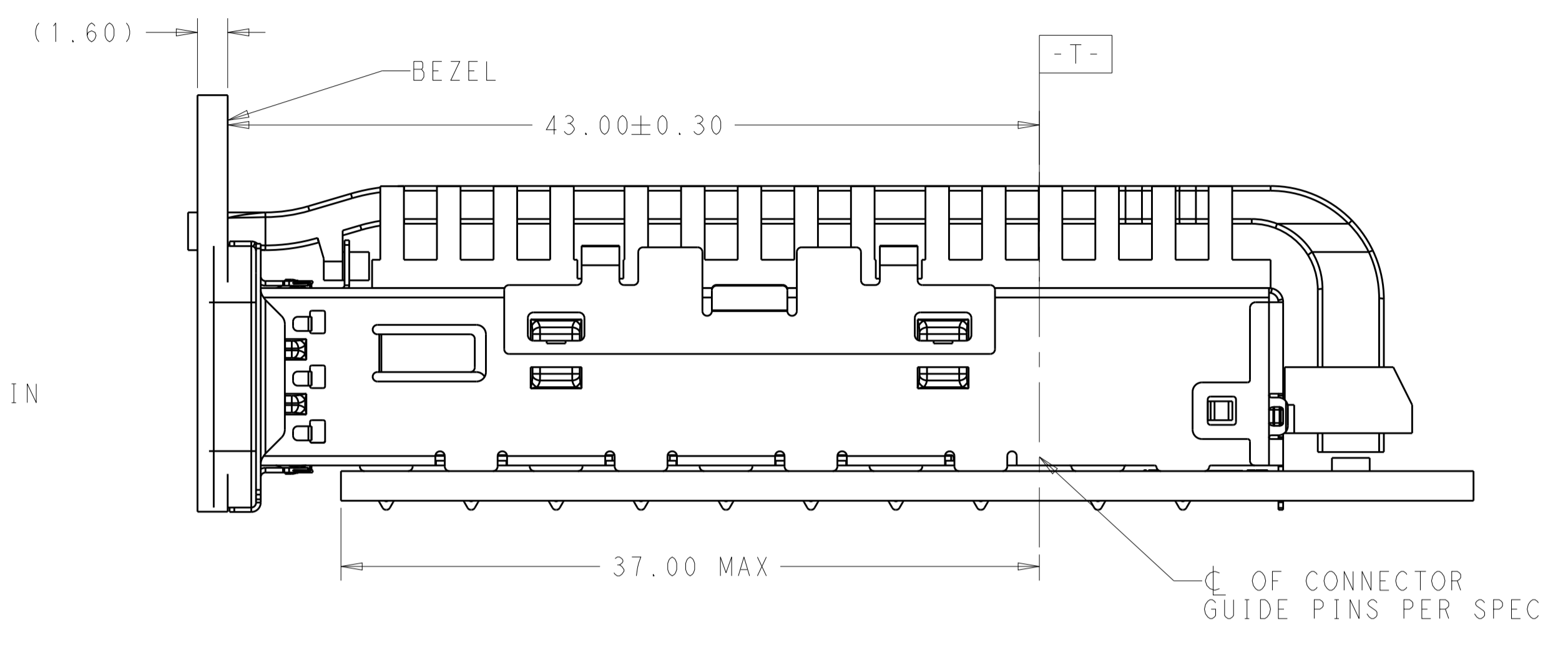
0	16.0	WITHOUT	SINGLE	1-2170754-0
1	23.0	NETWORKING	QUAD	4-2170754-9
1	16.0	SAN	QUAD	4-2170754-8
1	13.7	PCI	QUAD	4-2170754-7
0	23.0	NETWORKING	QUAD	4-2170754-6
0	16.0	SAN	QUAD	4-2170754-5
0	13.7	PCI	QUAD	4-2170754-4
2	23.0	NETWORKING	QUAD	4-2170754-3
2	16.0	SAN	QUAD	4-2170754-2
2	13.7	PCI	QUAD	4-2170754-1
1	23.0	NETWORKING	DUAL	2-2170754-9
1	16.0	SAN	DUAL	2-2170754-8
1	13.7	PCI	DUAL	2-2170754-7
0	23.0	NETWORKING	DUAL	2-2170754-6
0	16.0	SAN	DUAL	2-2170754-5
0	13.7	PCI	DUAL	2-2170754-4
2	23.0	NETWORKING	DUAL	2-2170754-3
2	16.0	SAN	DUAL	2-2170754-2
2	13.7	PCI	DUAL	2-2170754-1
1	23.0	NETWORKING	SINGLE	2170754-9
1	16.0	SAN	SINGLE	2170754-8
1	13.7	PCI	SINGLE	2170754-7
0	23.0	NETWORKING	SINGLE	2170754-6
0	16.0	SAN	SINGLESINGLE	2170754-5
0	13.7	PCI	SINGLE	2170754-4
2	23.0	NETWORKING	SINGLE	2170754-3
2	16.0	SAN	SINGLE	2170754-2
2	13.7	PCI	SINGLE	2170754-1
# REAR PINS	DIM A	APPLICATION (HEAT SINK OPTION)	LIGHT PIPE OPTION	PART NUMBER

THIS DRAWING IS A CONTROLLED DOCUMENT.		OWN: JASON YANG 01APR2014	 TE Connectivity
DIMENSIONS: mm		CHK: SEAN HAN 30DEC2015	
TOLERANCES UNLESS OTHERWISE SPECIFIED: 0 PLC ±0.25 1 PLC ±0.25 2 PLC ±0.25 3 PLC ±0.100 4 PLC ± ANGLES ±°		APVD: -	NAME: CAGE ASSEMBLY, QSFP28 1X1, THRU BEZEL, WITH EMI GASKET HEAT SINK, LIGHT PIPE
		PRODUCT SPEC: 108-19428	RESTRICTED TO: -
MATERIAL: -		APPLICATION SPEC: 114-32023	SIZE: A1
FINISH: -		WEIGHT: -	CAGE CODE: 2170754
Customer Drawing		SCALE: 4:1	SHEET 3 OF 7 REV B

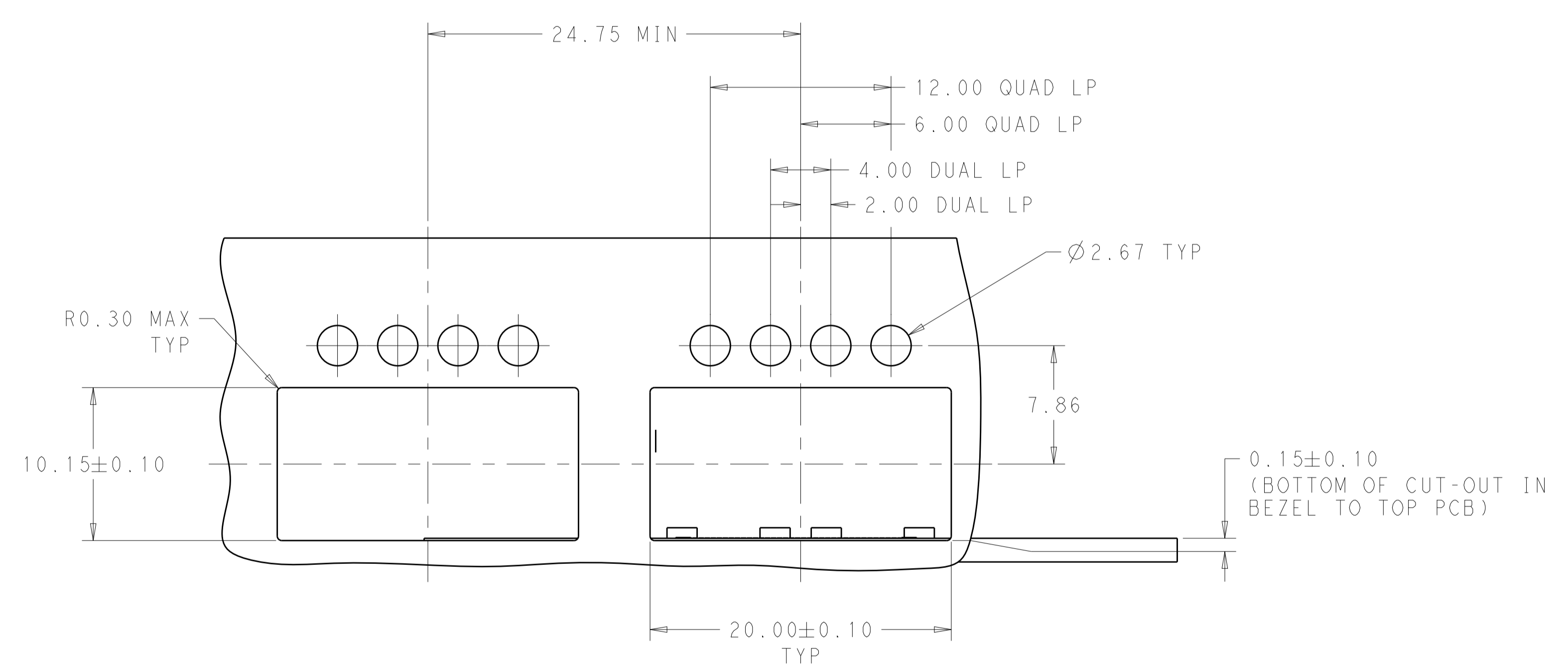
LOC	DIST	REVISIONS			
P	LTN	DESCRIPTION	DATE	DWN	APVD
-	-	SEE SHEET 1	-	-	-



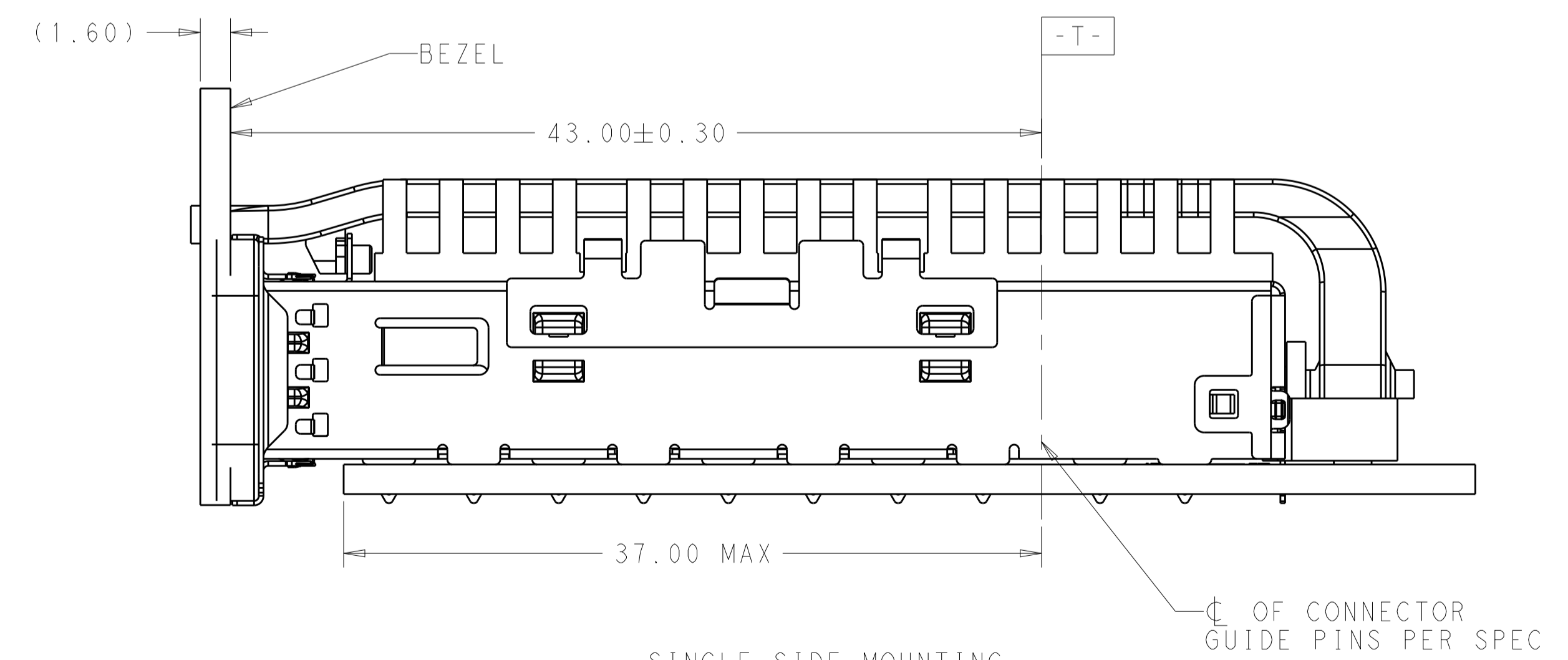
SINGLE LIGHT PIPE TYPE



SINGLE SIDE MOUNTING SCALE 4:1



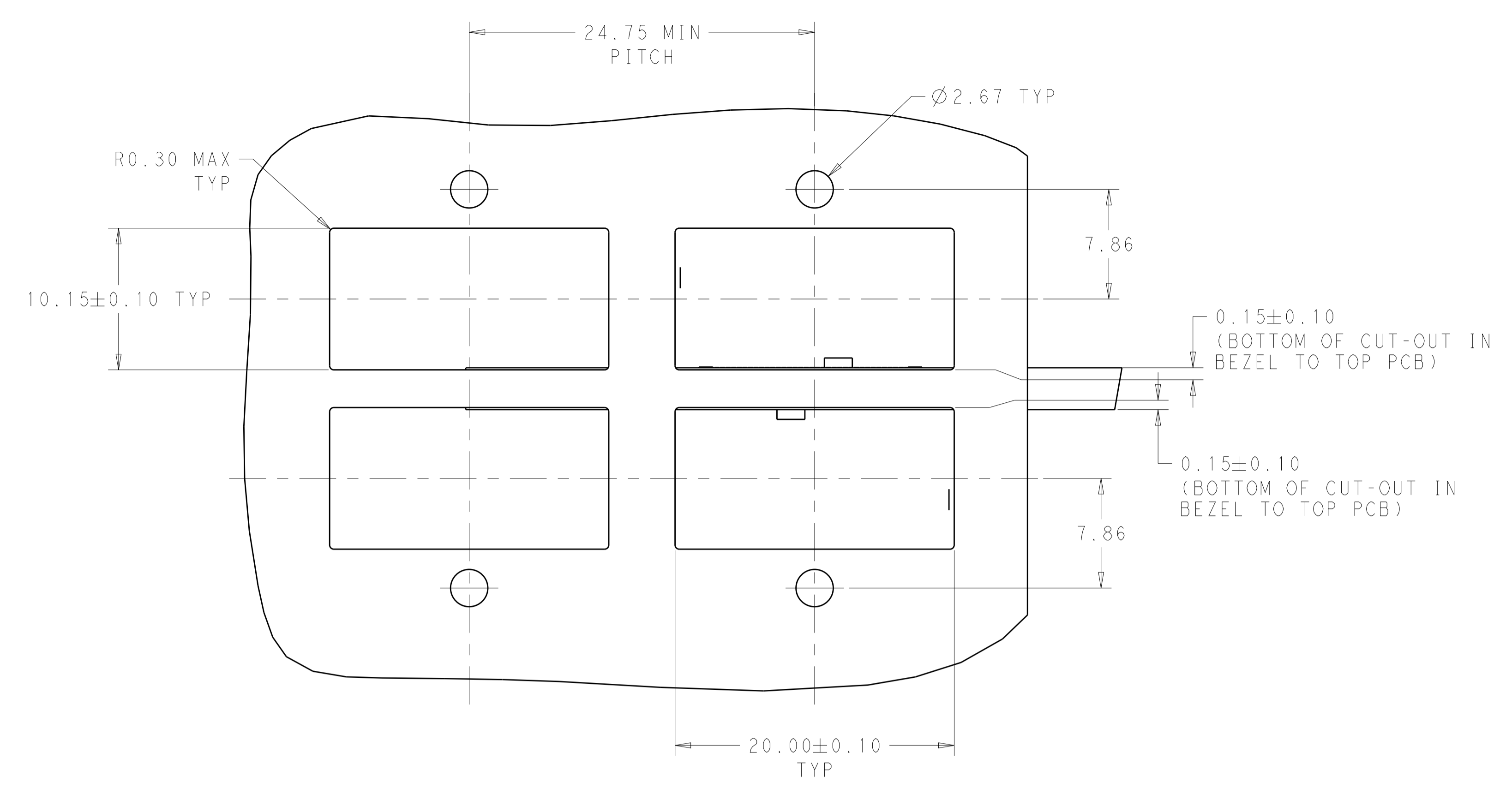
DUAL/QUAD LIGHT PIPE TYPE



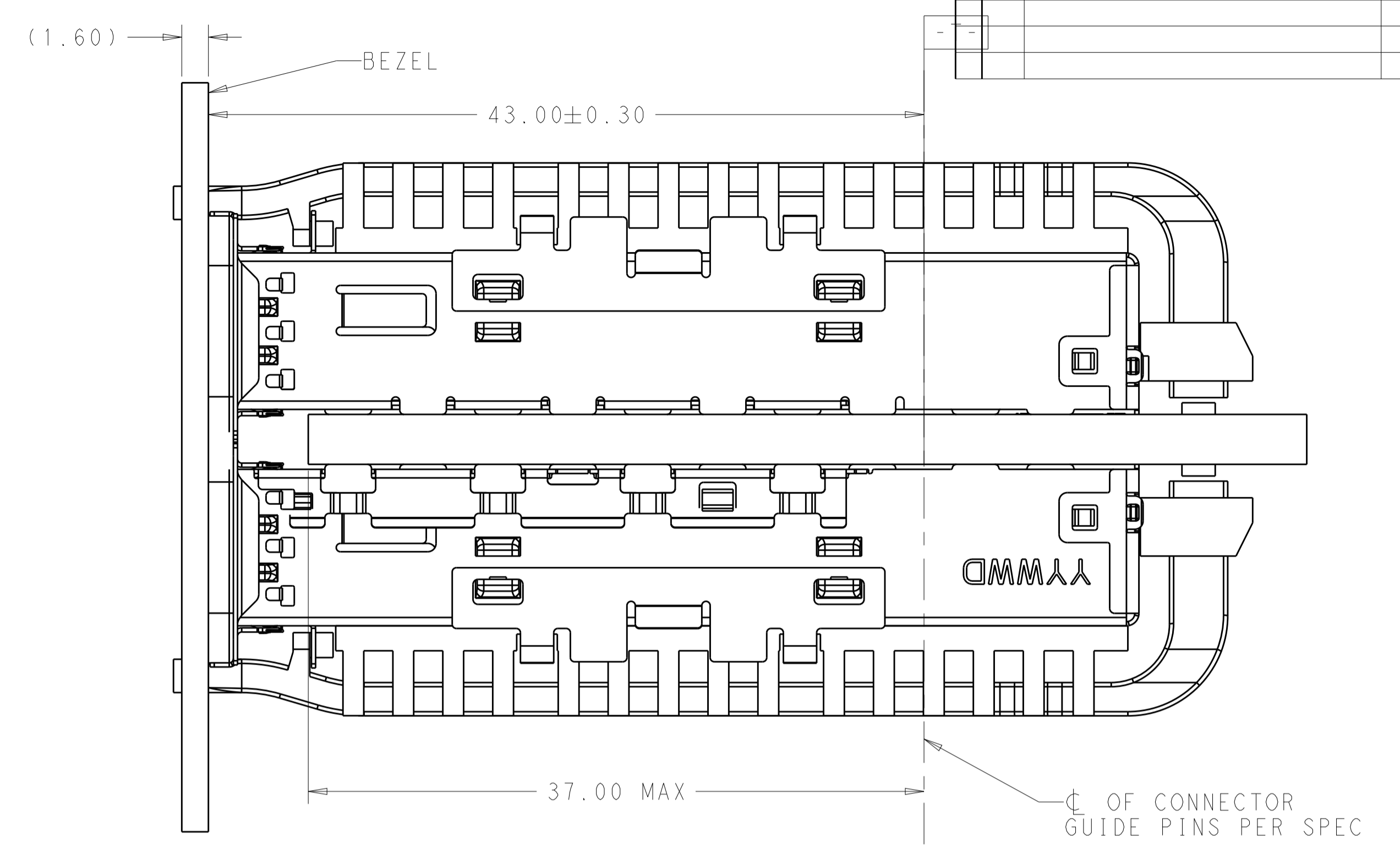
SINGLE SIDE MOUNTING SCALE 4:1

THIS DRAWING IS A CONTROLLED DOCUMENT.		DWN: JASON YANG 01APR2014	 TE Connectivity
DIMENSIONS: mm		CHK: SEAN HAN 30DEC2015	
TOLERANCES UNLESS OTHERWISE SPECIFIED:		APVD: -	NAME: CAGE ASSEMBLY, QSFP28 1X1, THRU BEZEL, WITH EMI GASKET HEAT SINK, LIGHT PIPE
0 PLC	±0.25	PRODUCT SPEC	SIZE: CAGE CODE DRAWING NO
1 PLC	±0.25	108-19428	RESTRICTED TO
2 PLC	±0.20	APPLICATION SPEC	A100779C=2170754
3 PLC	±0.100	114-32023	SCALE: 4:1 SHEET 4 OF 7 REV B
4 PLC	±	Customer Drawing	
ANGLES	±		
MATERIAL			
FINISH			

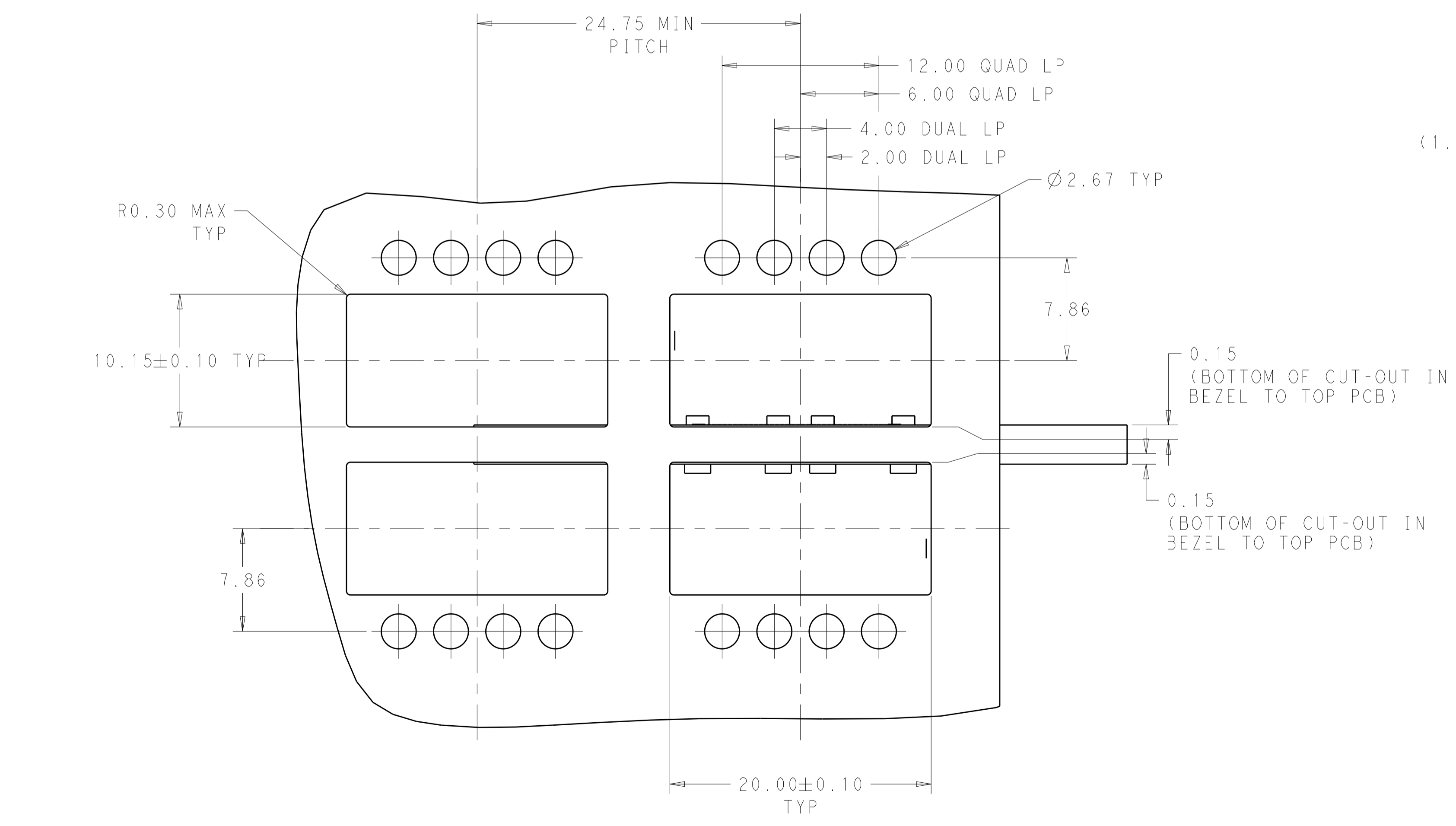
LOC	DIST	REV	DATE	BY	APPV
		1			



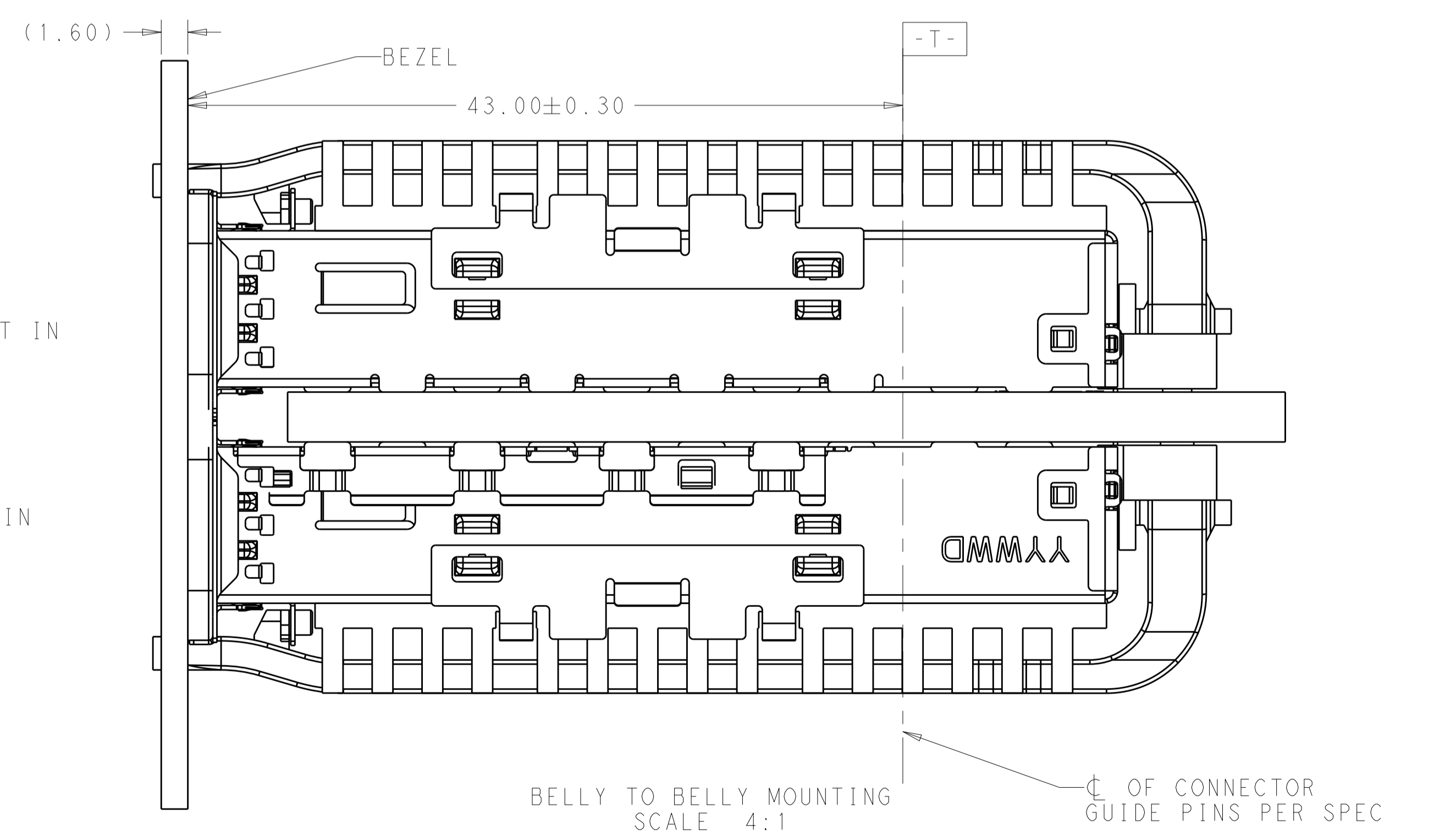
SINGLE LIGHT PIPE TYPE



BELLY TO BELLY MOUNTING
SCALE 4:1



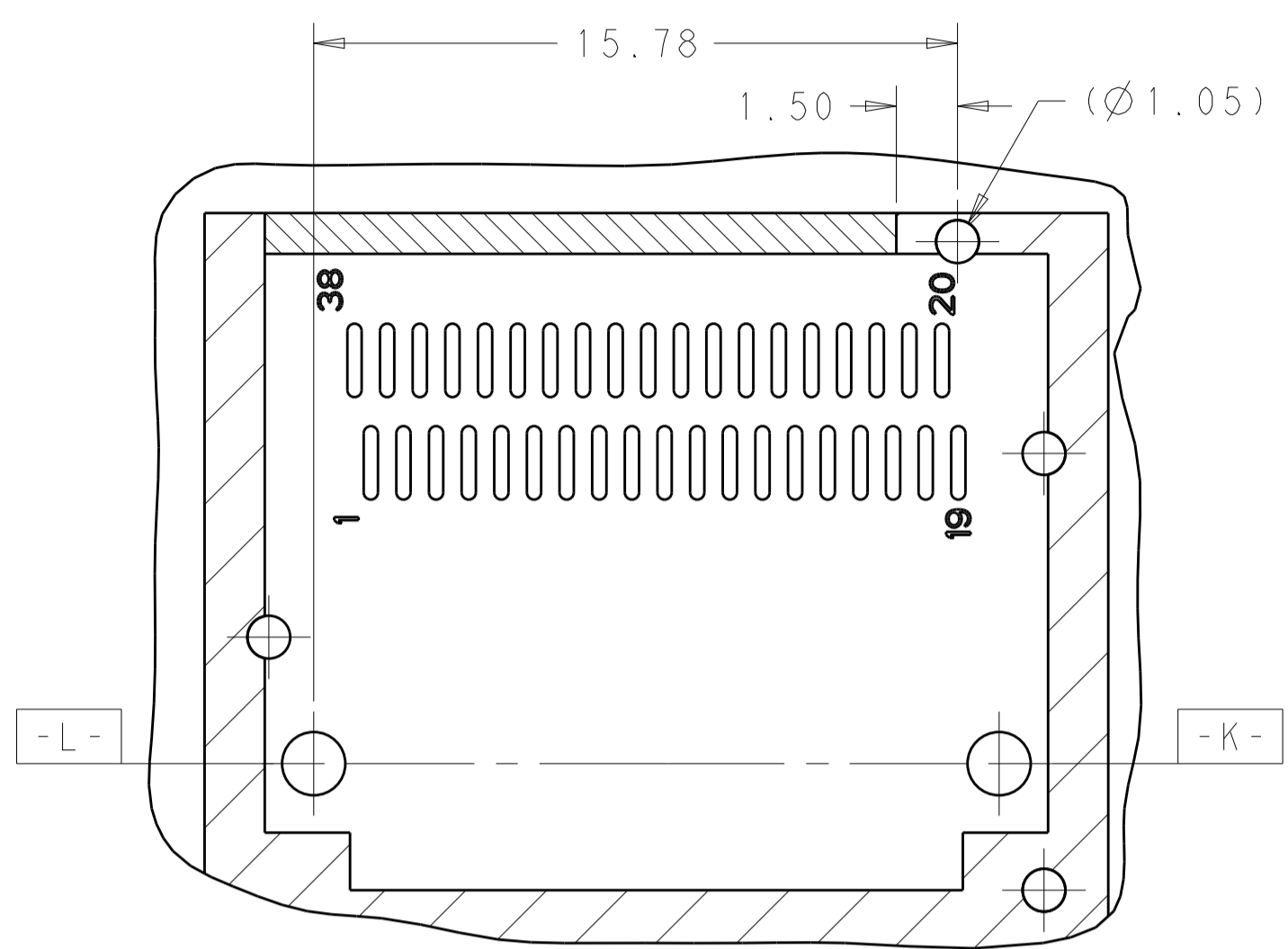
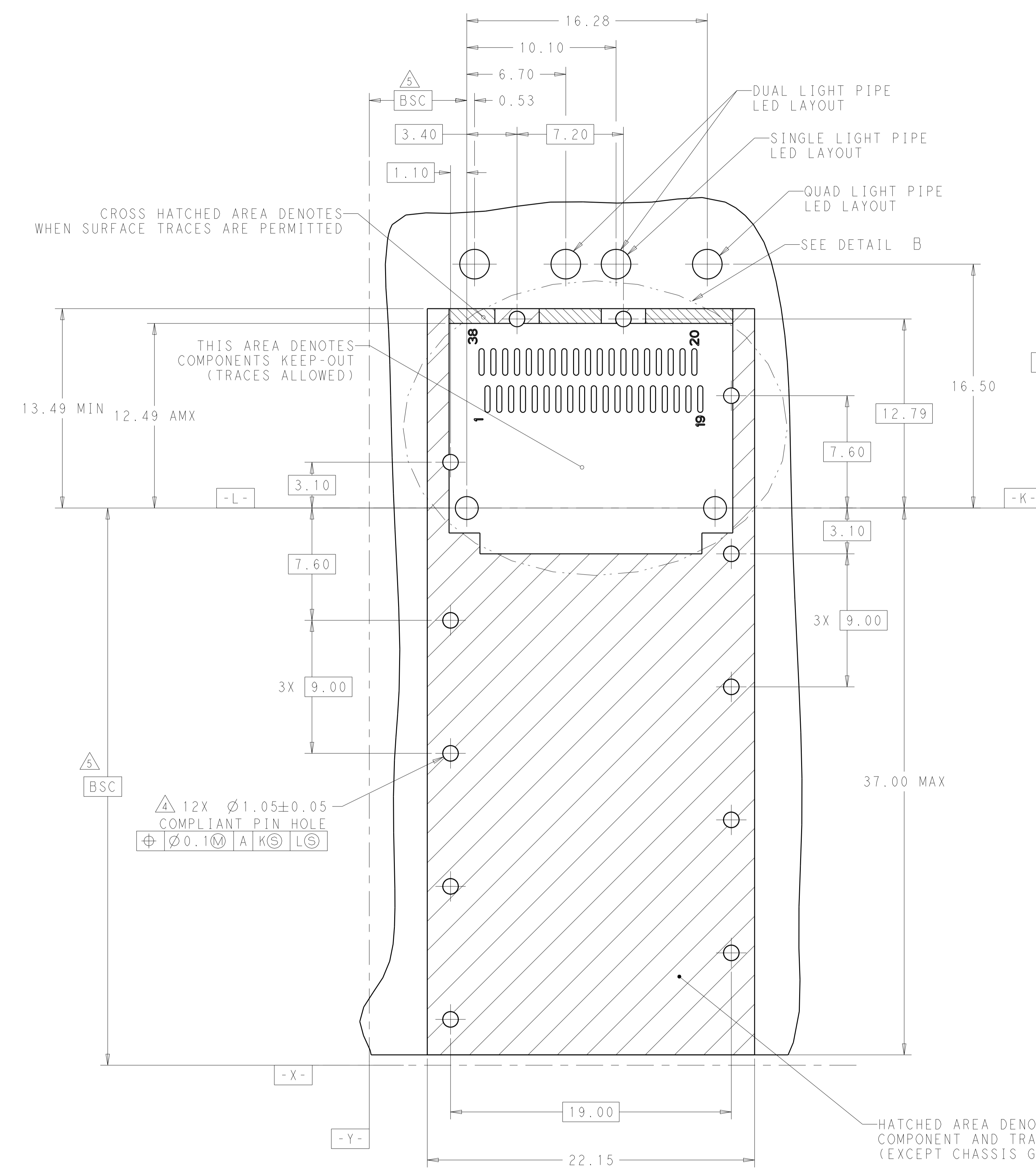
DUAL/QUAD LIGHT PIPE TYPE



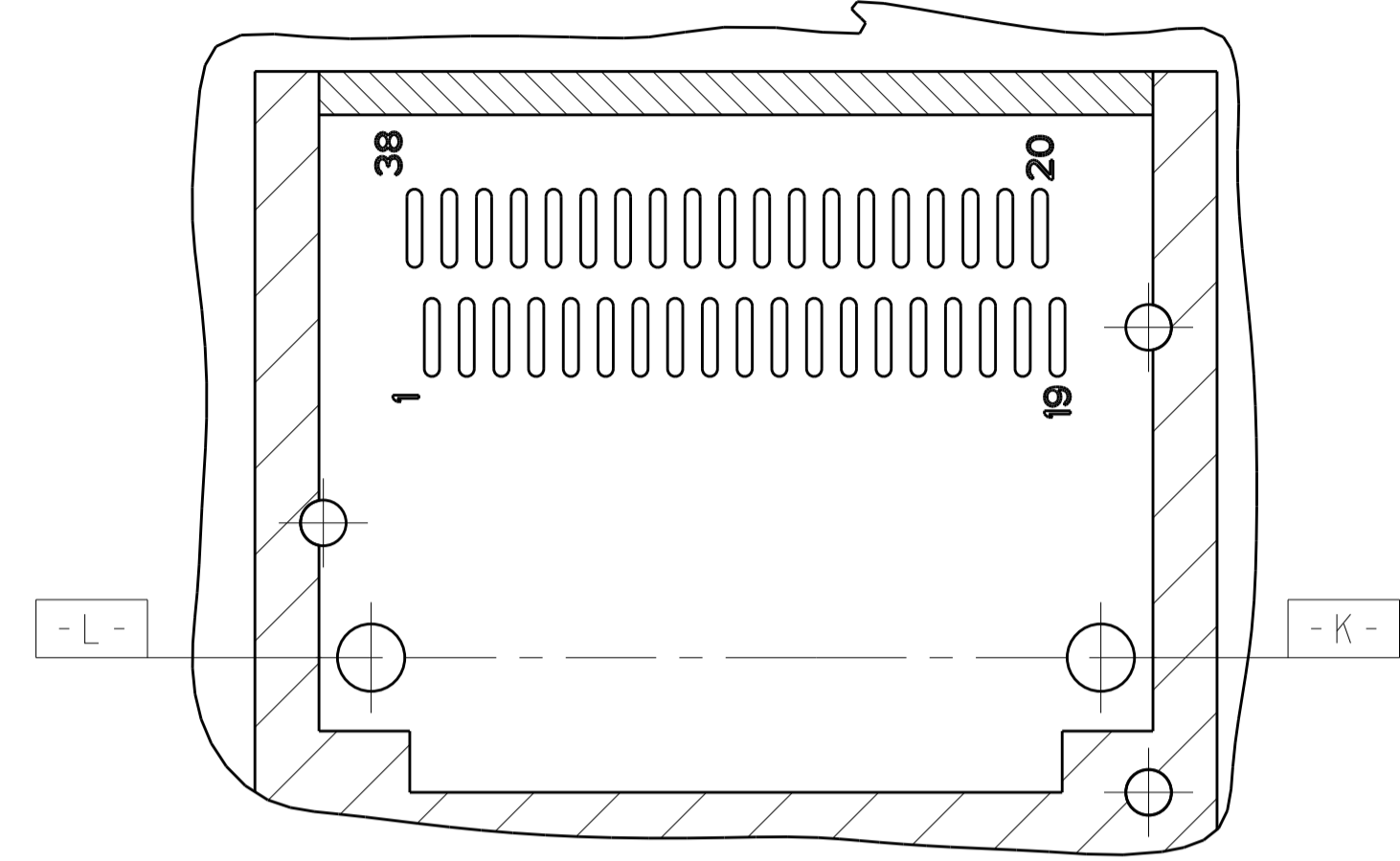
BELLY TO BELLY MOUNTING
SCALE 4:1

THIS DRAWING IS A CONTROLLED DOCUMENT.		OWN: JASON YANG 01APR2014	TE Connectivity
DIMENSIONS: mm		CHK: SEAN HAN 30DEC2015	
TOLERANCES UNLESS OTHERWISE SPECIFIED:		APVD:	NAME: CAGE ASSEMBLY, QSP28 1X1, THRU BEZEL, WITH EMI GASKET HEAT SINK, LIGHT PIPE
0 PLC	±0.25	PRODUCT SPEC	108-19428
1 PLC	±0.25	APPLICATION SPEC	114-32023
2 PLC	±0.20	SIZE	A100779
3 PLC	±0.20	CAGE CODE	C=2170754
4 PLC	±0.100	DRAWING NO	Customer Drawing
ANGLES	±°	WEIGHT	SCALE 4:1
MATERIAL		RESTRICTED TO	SHEET 5 OF 7
FINISH		REV	REV B

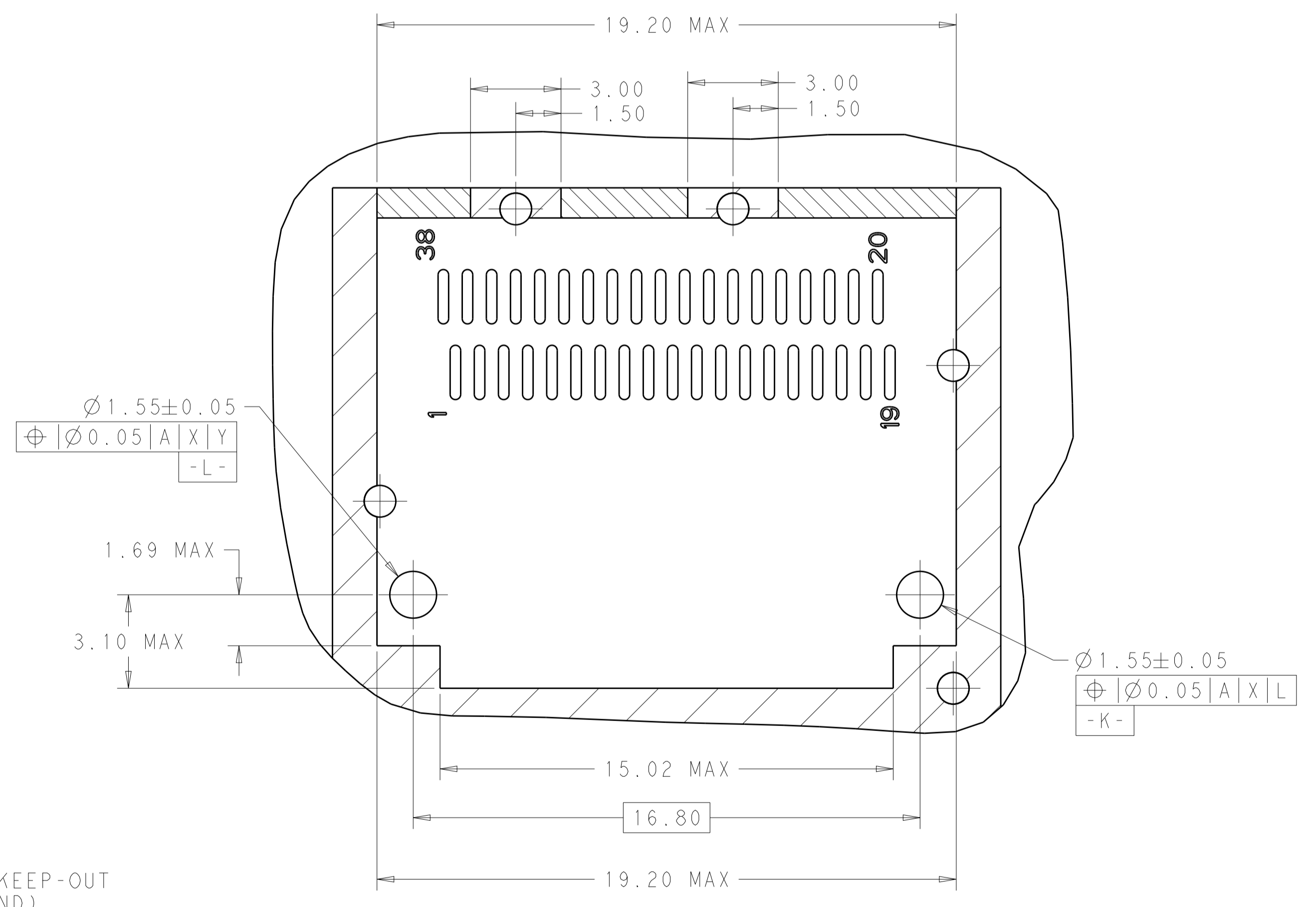
LOC	DIST	REV	DATE	BY	APPV
		1			



RECOMMENDED PCB LAYOUT
 SINGLE TYPE OF 1 REAR HOLES OF LEGS
 PCB TOLERANCE: ±0.05
 SCALE 6:1



RECOMMENDED PCB LAYOUT
 SINGLE TYPE OF 0 REAR HOLES OF LEGS
 PCB TOLERANCE: ±0.05
 SCALE 6:1



DETAIL B
 SCALE 8:1

RECOMMENDED PCB LAYOUT
 SINGLE TYPE OF 2 REAR HOLES OF LEGS
 PCB TOLERANCE: ±0.05
 SCALE 6:1

HATCHED AREA DENOTES
 COMPONENT AND TRACE KEEP-OUT
 (EXCEPT CHASSIS GROUND)

THIS DRAWING IS A CONTROLLED DOCUMENT.		OWN: JASON YANG 01APR2014	TE Connectivity
DIMENSIONS: mm		CHK: SEAN HAN 30DEC2015	
TOLERANCES UNLESS OTHERWISE SPECIFIED:		APVD:	NAME: CAGE ASSEMBLY, QSFP28 1X1, THRU BEZEL, WITH EMI GASKET HEAT SINK, LIGHT PIPE
0 PLC	±0.25	PRODUCT SPEC:	108-19428
1 PLC	±0.25	APPLICATION SPEC:	114-32023
2 PLC	±0.20	WEIGHT:	A100779C=2170754
3 PLC	±0.100	Customer Drawing	SCALE 4:1 SHEET 6 OF 7 REV B
4 PLC	±		
ANGLES	±		
MATERIAL:			
FINISH:			