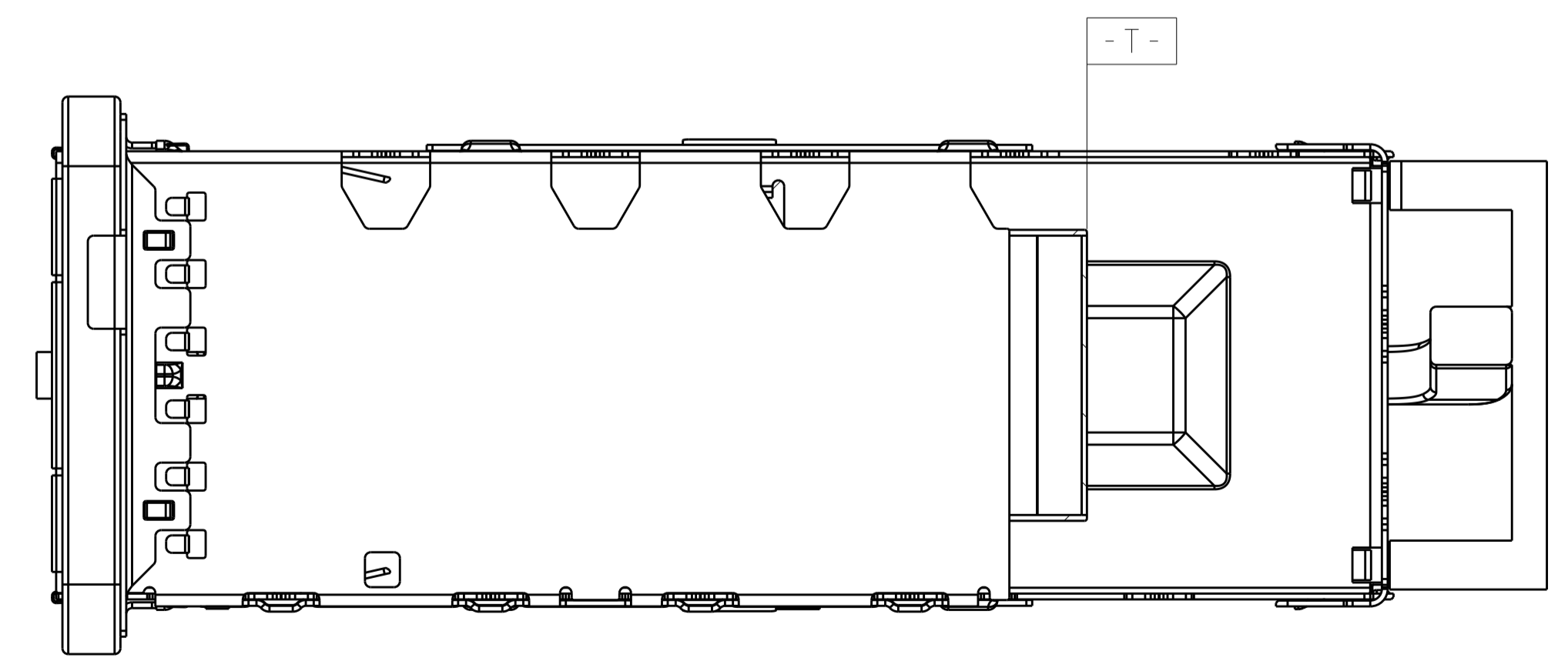
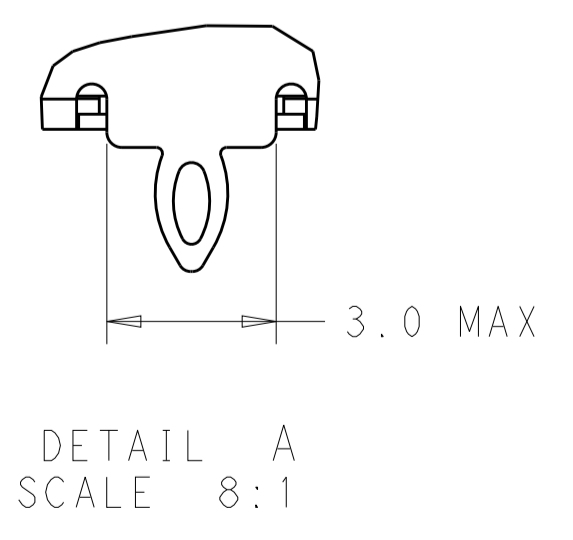
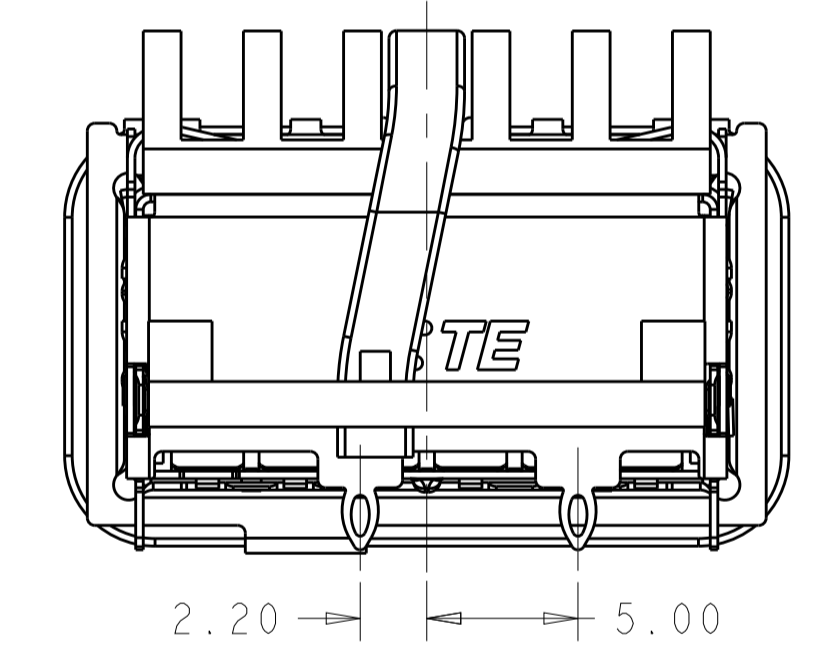
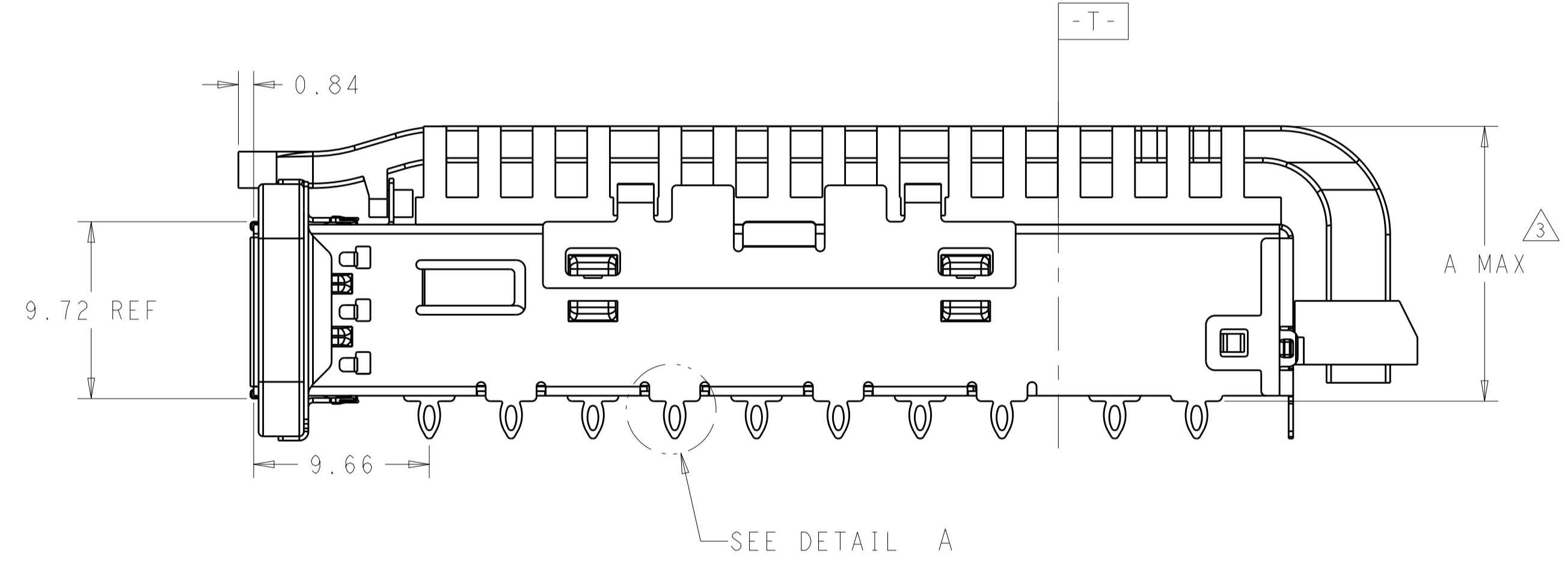
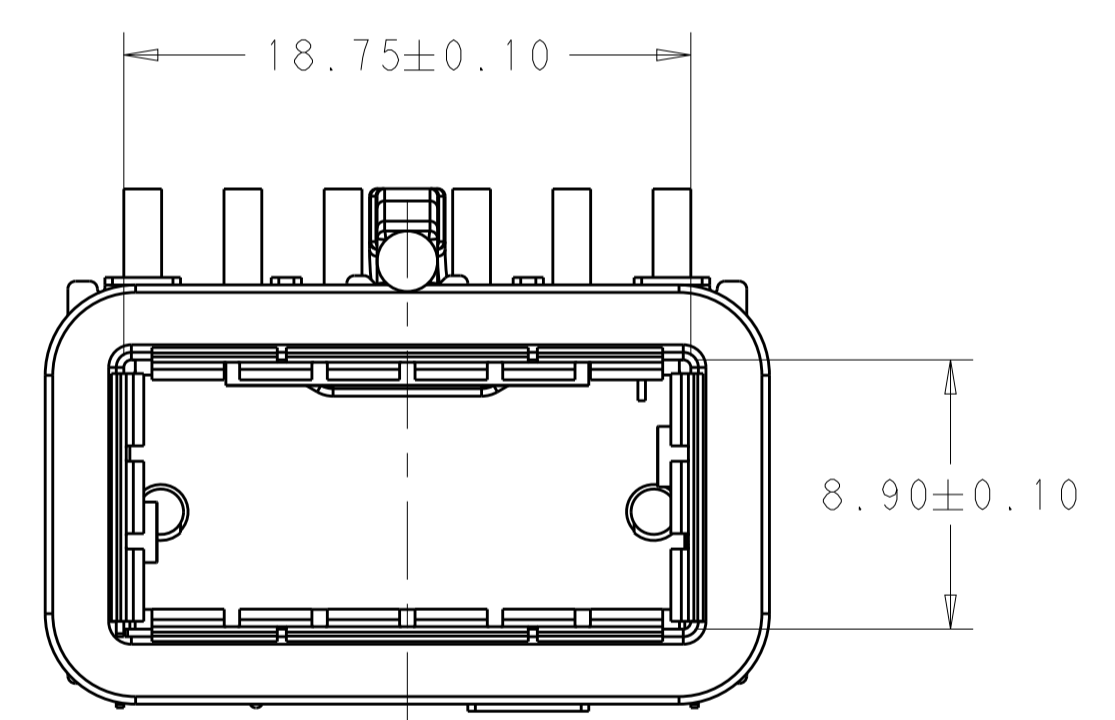
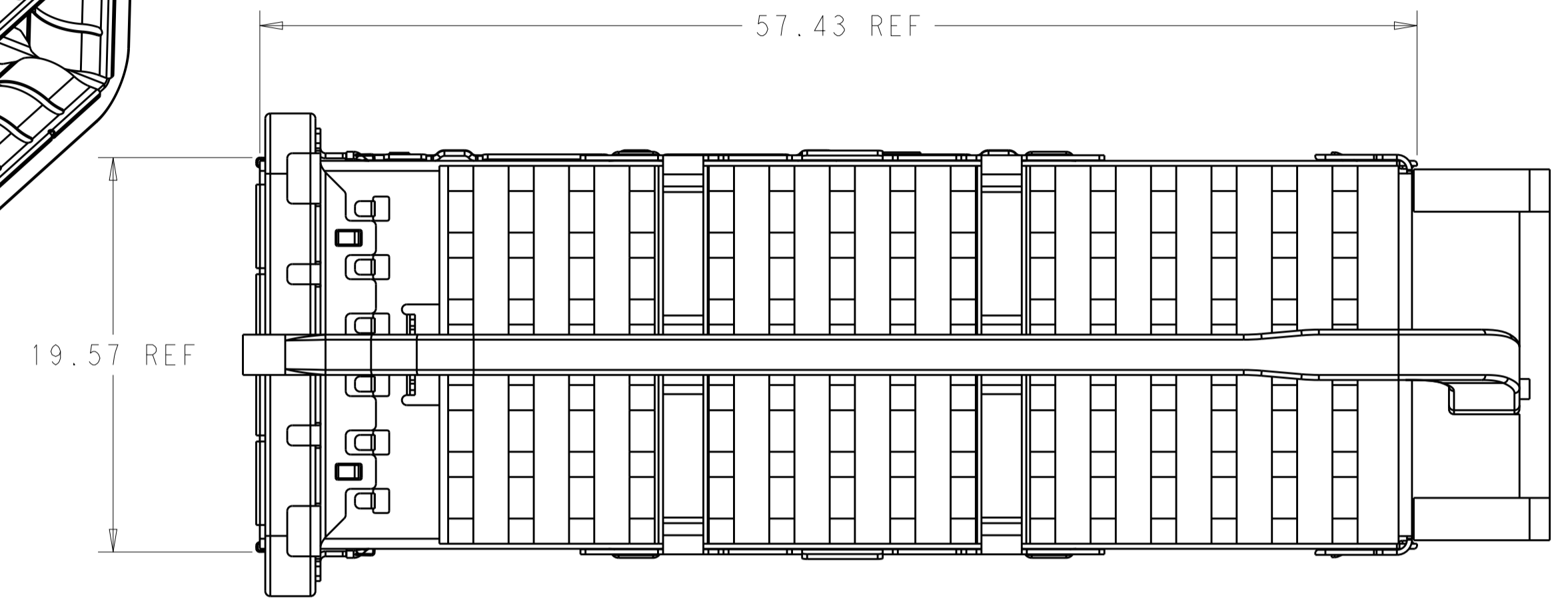
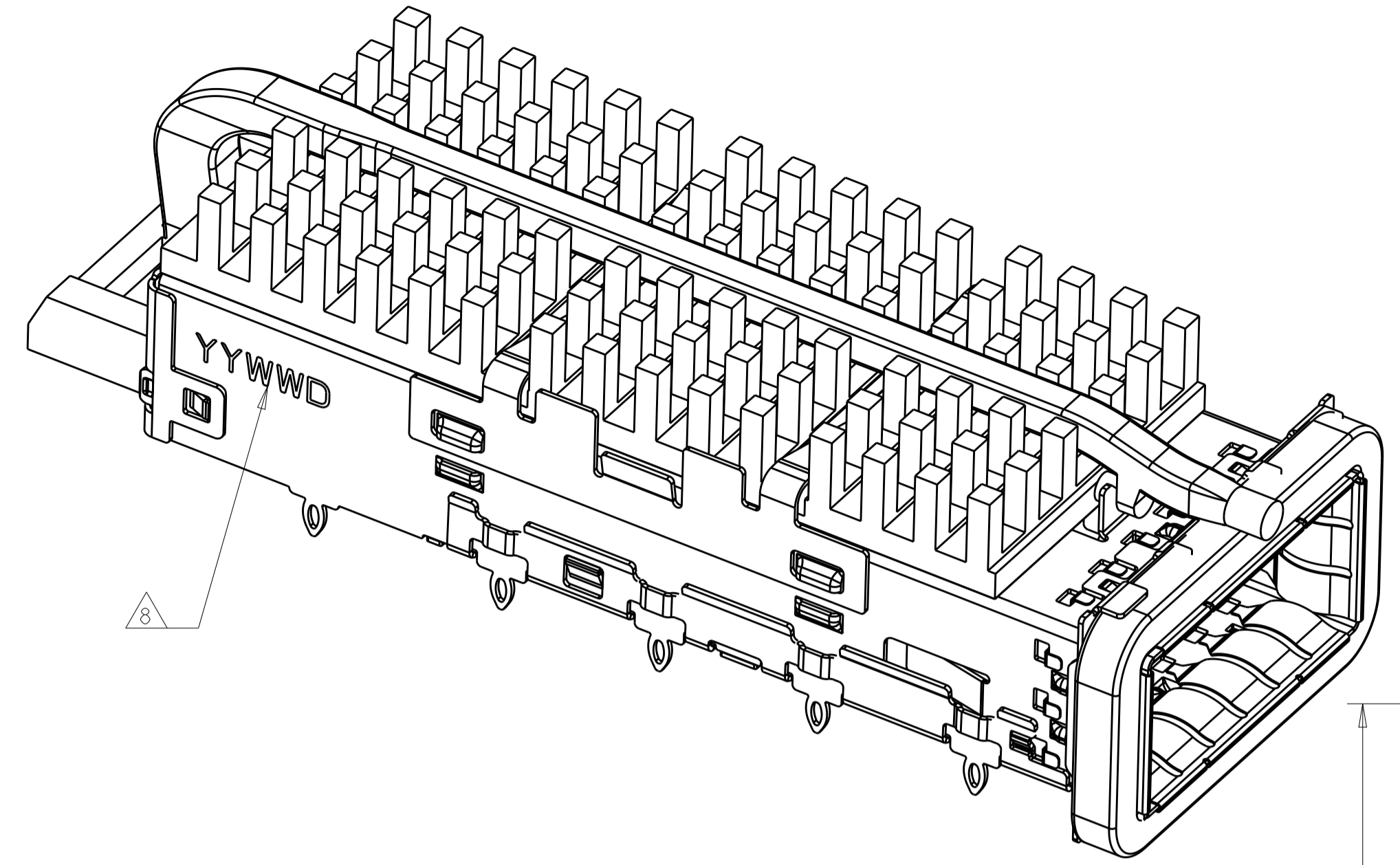


LOC	DIST	REVISIONS					
		P	LTN	DESCRIPTION	DATE	DWN	APVD
		A		RELEASE	30DEC2015	JY	SH
		B		REVISED PER ECO-19-016043	21OCT2019	SH	SH



1. MATERIAL:  
 CAGE MATERIAL : 0.25 THICK NICKEL SILVER.  
 SPRING MATERIAL: COPPER ALLOY  
 HEAT SINK MATERIAL: ALUMINUM  
 CLIP MATERIAL: STAINLESS STEEL  
 LIGHT PIPE: POLYCARBONATE WITH 94 V-0  
 EMI GASKET: PLATED FILLED SILICONE  
 ORGANIZER MATERIAL: POLYESTER WITH 94 V-0

2. FINISH:  
 SPRING: NICKEL PLATING  
 HEAT SINK: BLACK ANODIZE

3. DIMENSION APPLIES WITH MODULE INSTALLED IN THE CAGE TO TOP OF HEAT SINK.

4. REFERENCE APPLICATION SPEC 114-32023 FOR RECOMMENDED DRILL HOLE DIAMETER AND PLATING THICKNESS.

5. DATUM AND BASIC DIMENSIONS ESTABLISHED BY CUSTOMERS.

6. MINIMUM PC BOARD THICKNESS :  
 SINGLES SIDED: 1.57 MIN  
 DOUBLE SIDED: 3.00 MIN

7. DATUM -A- IS TOP SURFACE OF THE HOST BOARD.

8. DATE CODE (YYWWD) MARKED APPROXIMATELY AS SHOWN

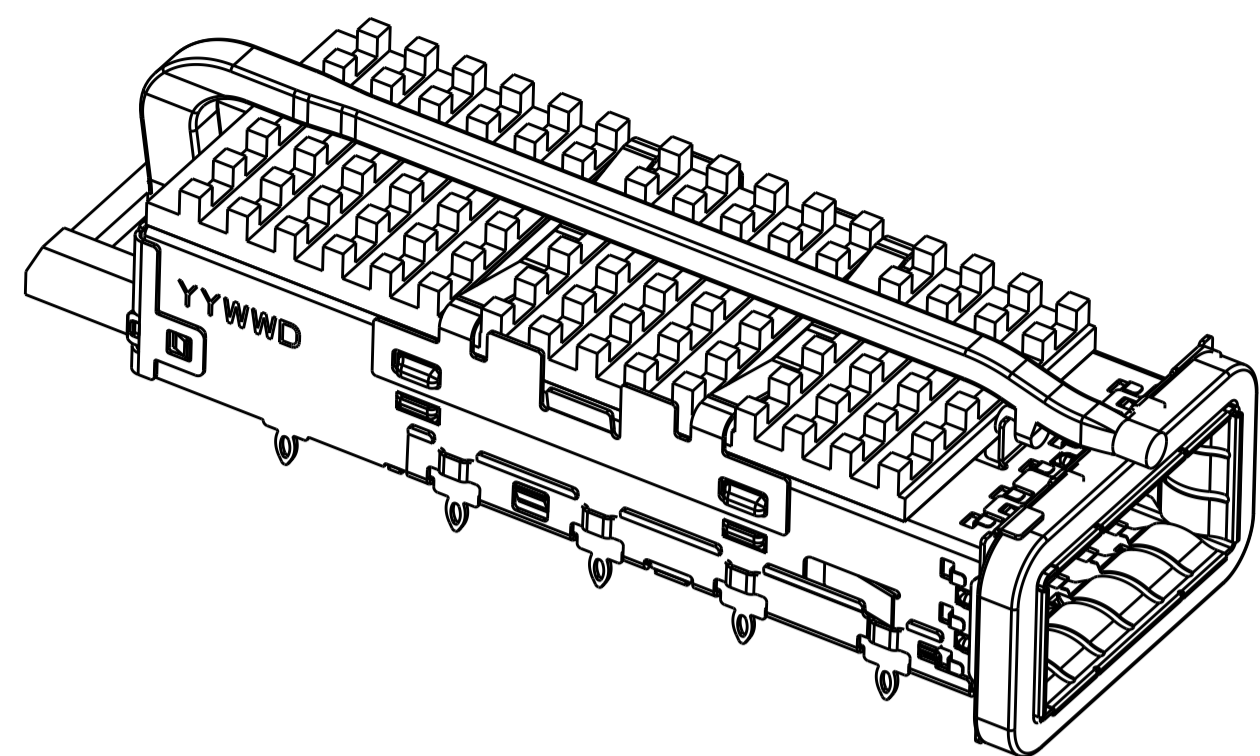
9. MATES WITH QSFP28 MSA COMPATIBLE TRANSCEIVER.

2170754-2 AS SHOWN

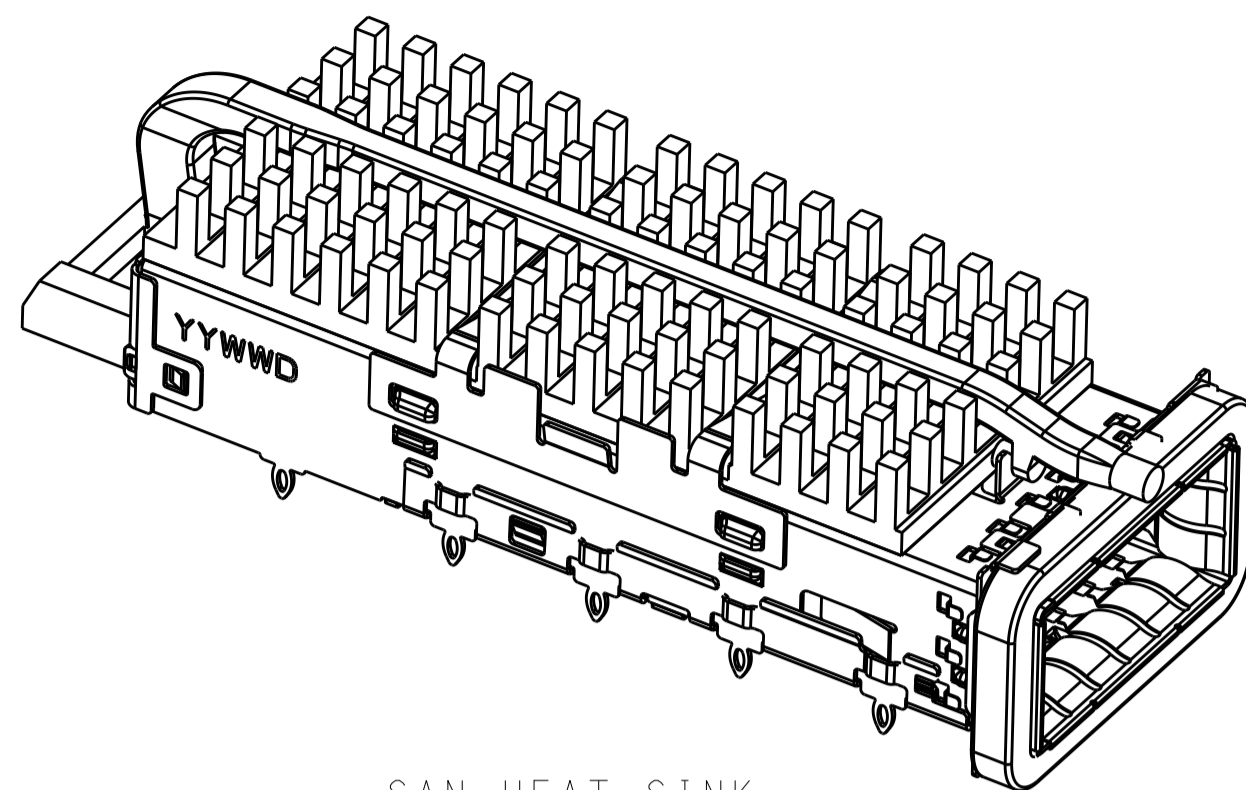
THIS DRAWING IS A CONTROLLED DOCUMENT.		DWN: JASON YANG 01APR2014		
		CHK: SEAN HAN 30DEC2015		
DIMENSIONS:		TOLERANCES UNLESS OTHERWISE SPECIFIED:		NAME: CAGE ASSEMBLY, QSFP28 1X1, THRU BEZEL, WITH EMI GASKET, HEAT SINK, LIGHT PIPE
mm		0 PLC ±0.25		PRODUCT SPEC: 108-19428
		1 PLC ±0.25		APPLICATION SPEC: 114-32023
		2 PLC ±0.25		SIZE: A1
		3 PLC ±0.25		CAGE CODE: 00779
		4 PLC ±0.100		DRAWING NO: 2170754
		5 PLC ±0.100		RESTRICTED TO: -
		ANGLES ±°		SCALE: 2:1
		FINISH		SHEET: 1 OF 7
MATERIAL: -		WEIGHT: -		REV: B
		CUSTOMER DRAWING		

LOC		DIST		REVISIONS			
P	LYR	DESCRIPTION	DATE	OWN	APVD		
-	-	SEE SHEET 1	-	-	-		

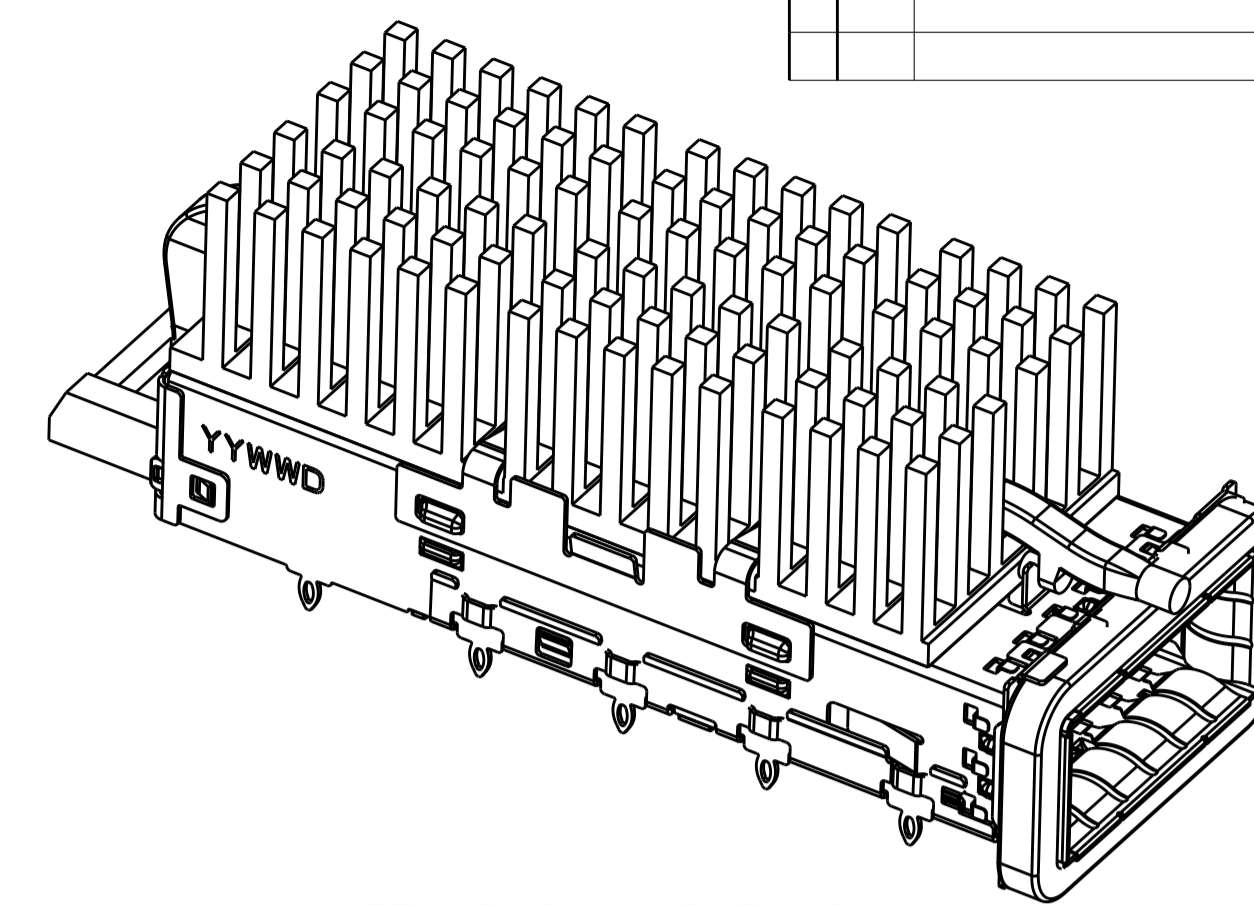
# HEAT SINK OPTIONS



PCI HEAT SINK  
SCALE 5:2

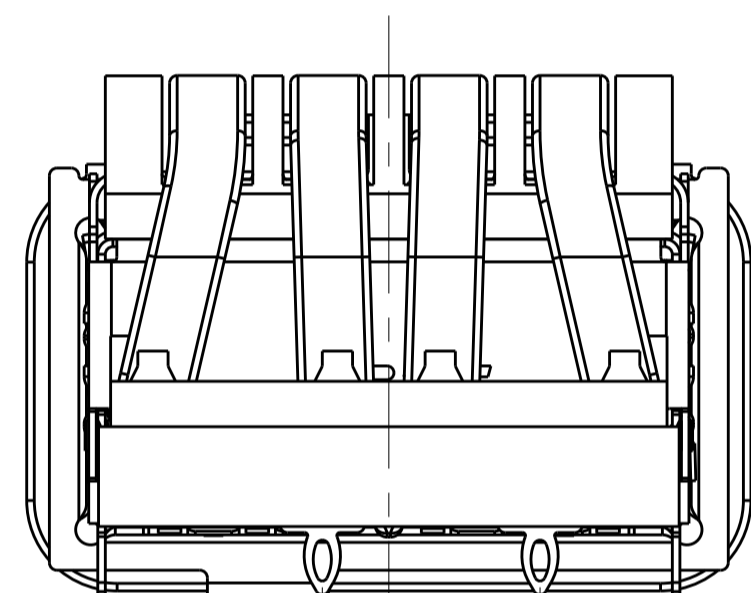


SAN HEAT SINK  
SCALE 5:2



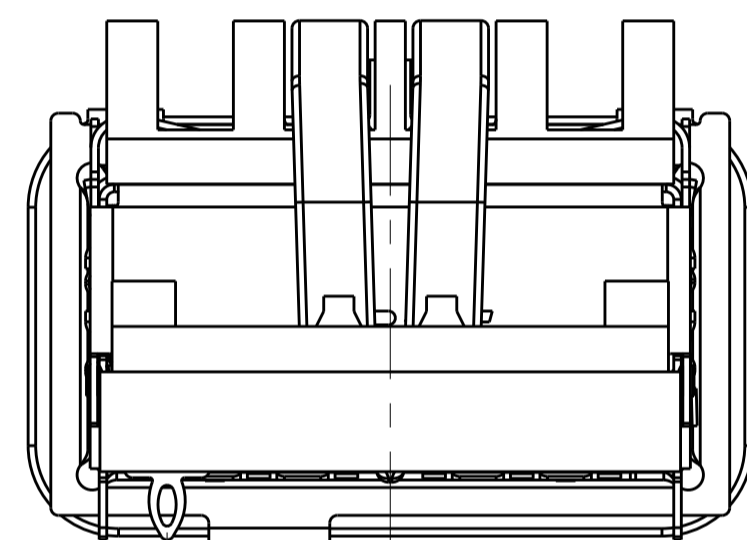
NETWORKING HEAT SINK  
SCALE 5:2

# # OF REAR LEGS OPTIONS



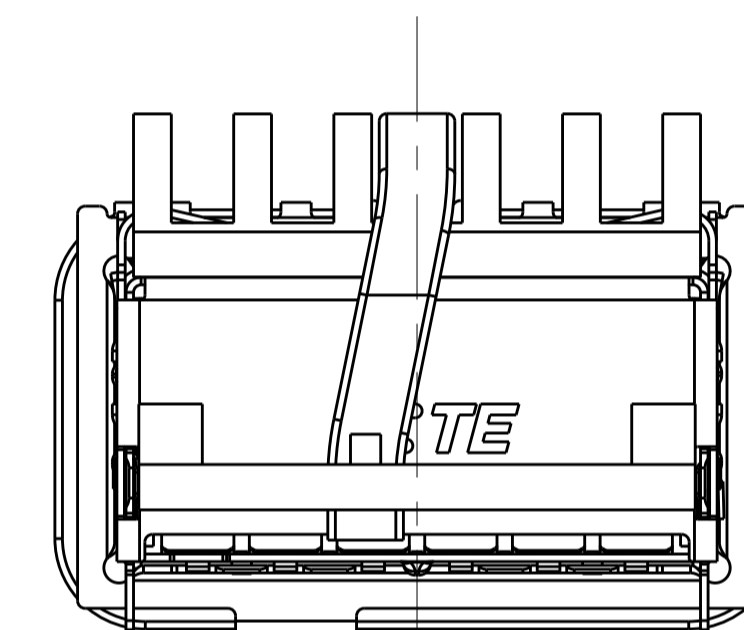
(2.20) (5.00)

2 REAR LEGS  
SCALE 4:1



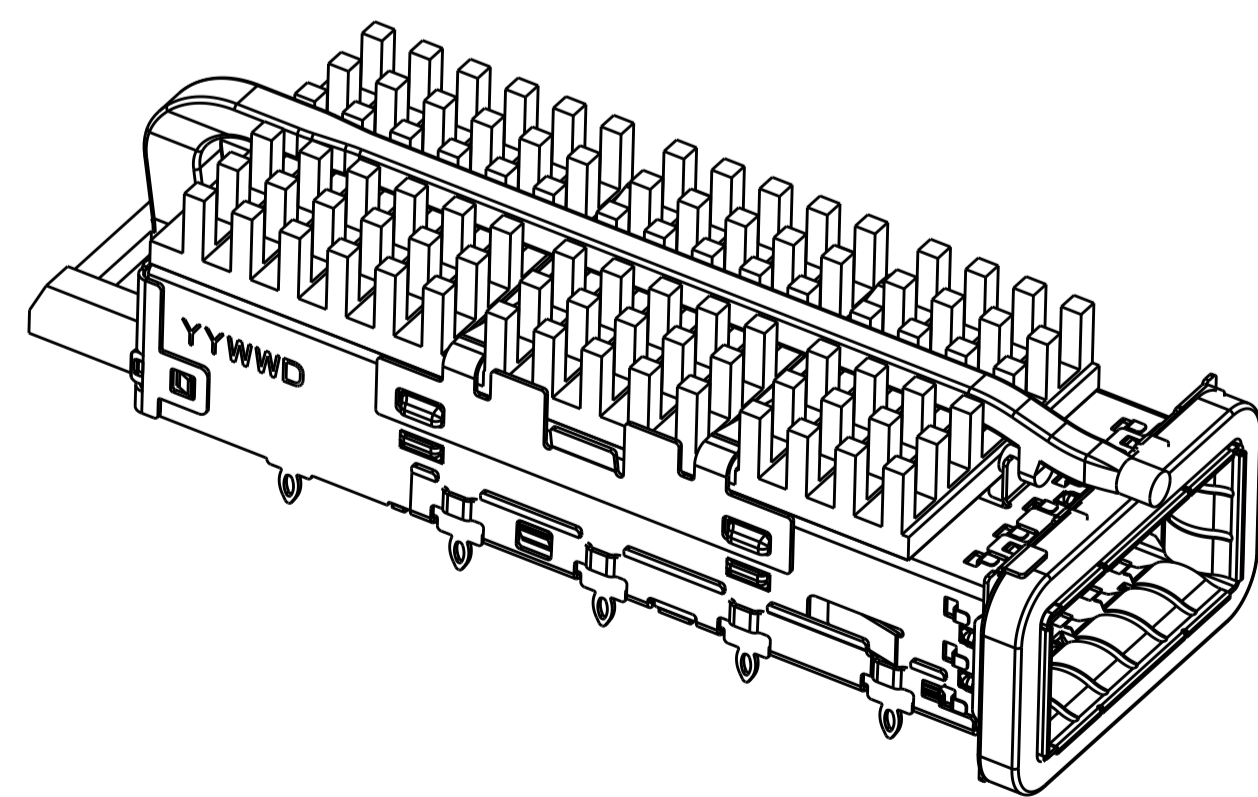
7.38

1 REAR LEG  
SCALE 4:1

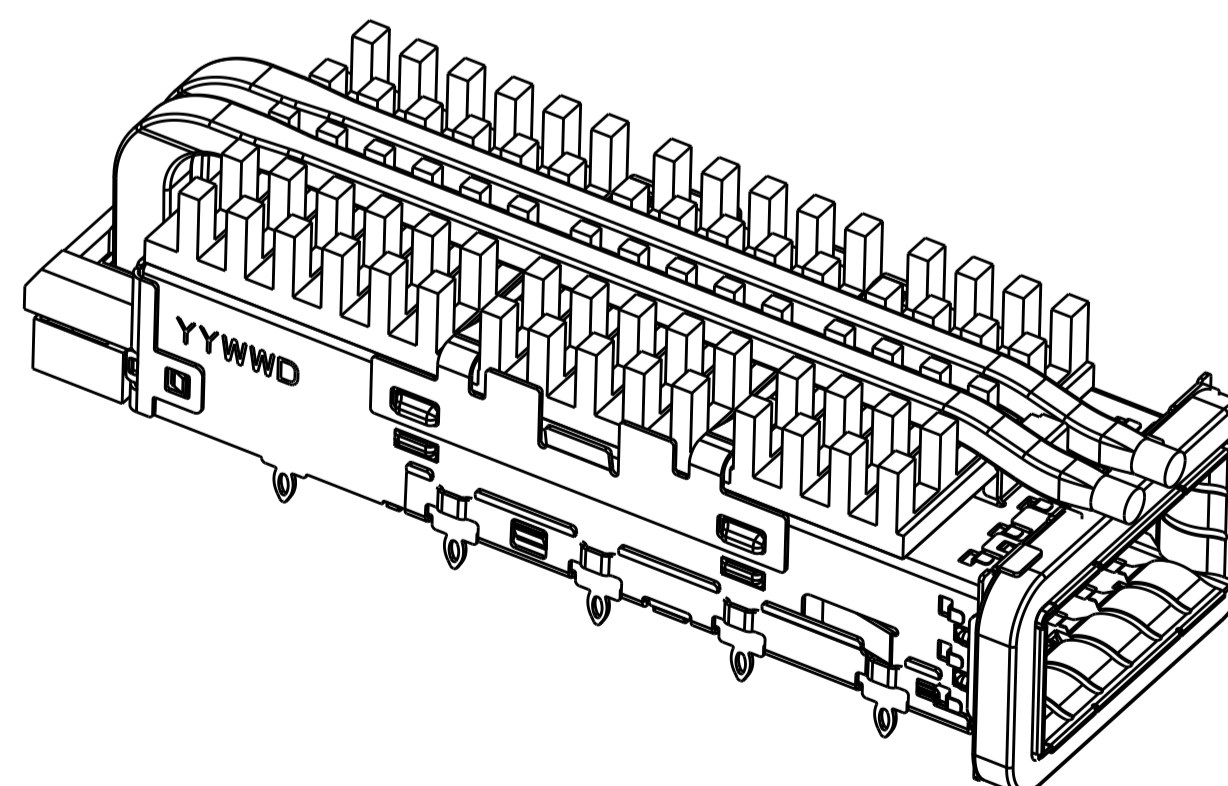


0 REAR LEG  
SCALE 4:1

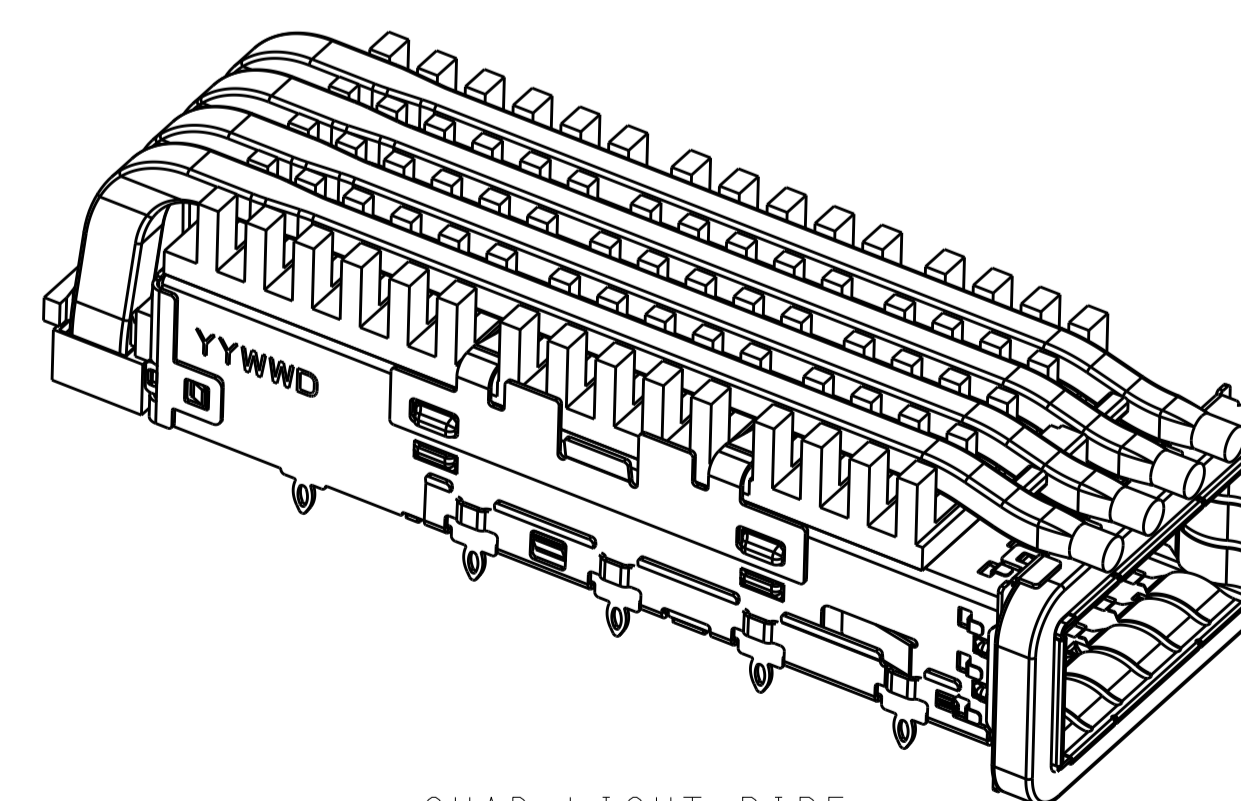
# LIGHT PIPE OPTIONS



SINGLE LIGHT PIPE  
SCALE 5:2



DUAL LIGHT PIPE  
SCALE 5:2




QUAD LIGHT PIPE  
SCALE 5:2

THIS DRAWING IS A CONTROLLED DOCUMENT.		OWN: JASON YANG 01APR2014	
DIMENSIONS: mm		CHK: SEAN HAN 30DEC2015	
TOLERANCES UNLESS OTHERWISE SPECIFIED:		APVD:	NAME: CAGE ASSEMBLY, QSFP28 1X1, THRU BEZEL, WITH EMI GASKET HEAT SINK, LIGHT PIPE
0 PLC ±0.25	1 PLC ±0.25	PRODUCT SPEC: 108-19428	SIZE: A1
2 PLC ±0.25	3 PLC ±0.25	APPLICATION SPEC: 114-32023	CAGE CODE: C=2170754
4 PLC ±0.100	ANGLES ±°	WEIGHT:	RESTRICTED TO:
MATERIAL:	FINISH:	Customer Drawing	SCALE: 4:1 SHEET 2 OF 7 REV B

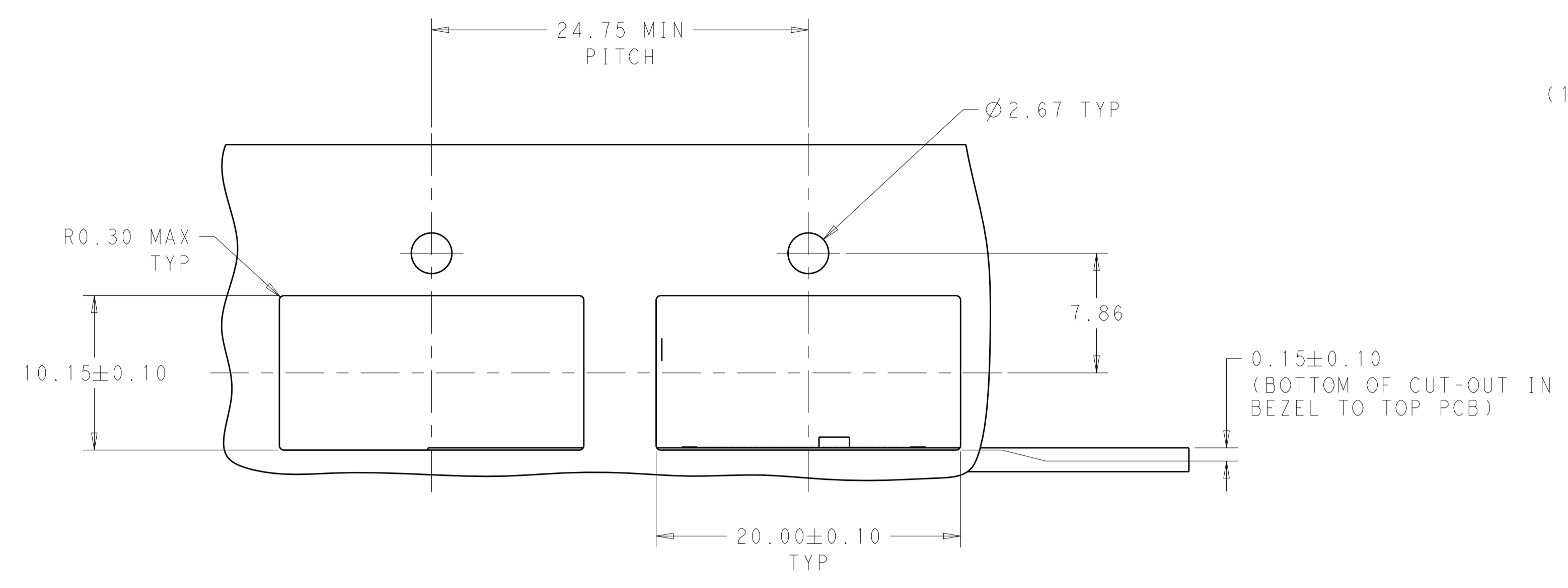
THIS DRAWING IS UNPUBLISHED. RELEASED FOR PUBLICATION  
 © COPYRIGHT copyright.d81e- ALL RIGHTS RESERVED.

LOC	DIST	REVISIONS			
P	LTN	DESCRIPTION	DATE	OWN	APVD
-	-	SEE SHEET 1	-	-	-

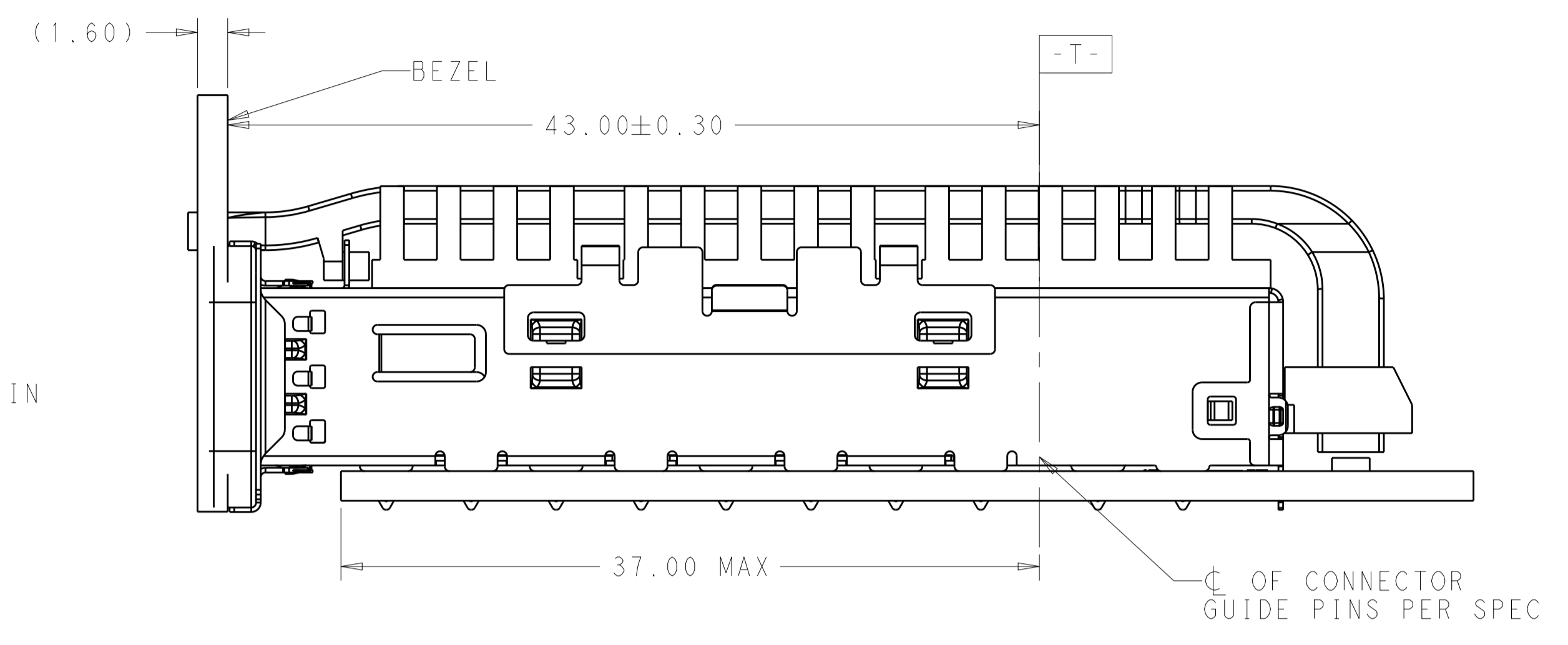
0	16.0	WITHOUT	SINGLE	1-2170754-0
1	23.0	NETWORKING	QUAD	4-2170754-9
1	16.0	SAN	QUAD	4-2170754-8
1	13.7	PCI	QUAD	4-2170754-7
0	23.0	NETWORKING	QUAD	4-2170754-6
0	16.0	SAN	QUAD	4-2170754-5
0	13.7	PCI	QUAD	4-2170754-4
2	23.0	NETWORKING	QUAD	4-2170754-3
2	16.0	SAN	QUAD	4-2170754-2
2	13.7	PCI	QUAD	4-2170754-1
1	23.0	NETWORKING	DUAL	2-2170754-9
1	16.0	SAN	DUAL	2-2170754-8
1	13.7	PCI	DUAL	2-2170754-7
0	23.0	NETWORKING	DUAL	2-2170754-6
0	16.0	SAN	DUAL	2-2170754-5
0	13.7	PCI	DUAL	2-2170754-4
2	23.0	NETWORKING	DUAL	2-2170754-3
2	16.0	SAN	DUAL	2-2170754-2
2	13.7	PCI	DUAL	2-2170754-1
1	23.0	NETWORKING	SINGLE	2170754-9
1	16.0	SAN	SINGLE	2170754-8
1	13.7	PCI	SINGLE	2170754-7
0	23.0	NETWORKING	SINGLE	2170754-6
0	16.0	SAN	SINGLESINGLE	2170754-5
0	13.7	PCI	SINGLE	2170754-4
2	23.0	NETWORKING	SINGLE	2170754-3
2	16.0	SAN	SINGLE	2170754-2
2	13.7	PCI	SINGLE	2170754-1
# REAR PINS	DIM A	APPLICATION (HEAT SINK OPTION)	LIGHT PIPE OPTION	PART NUMBER

THIS DRAWING IS A CONTROLLED DOCUMENT.		OWN: JASON YANG 01APR2014	 TE Connectivity
		CHK: SEAN HAN 30DEC2015	
DIMENSIONS:	TOLERANCES UNLESS OTHERWISE SPECIFIED:	APVD: -	NAME: CAGE ASSEMBLY, QSFP28 1X1, THRU BEZEL, WITH EMI GASKET HEAT SINK, LIGHT PIPE
mm	0 PLC ±0.25 1 PLC ±0.25 2 PLC ±0.25 3 PLC ±0.100 4 PLC ± ANGLES ±°	PRODUCT SPEC: 108-19428	SIZE: A1
MATERIAL: -	FINISH: -	APPLICATION SPEC: 114-32023	CAGE CODE: 2170754
		WEIGHT: -	RESTRICTED TO: -
		Customer Drawing	SCALE: 4:1 SHEET 3 OF 7 REV B

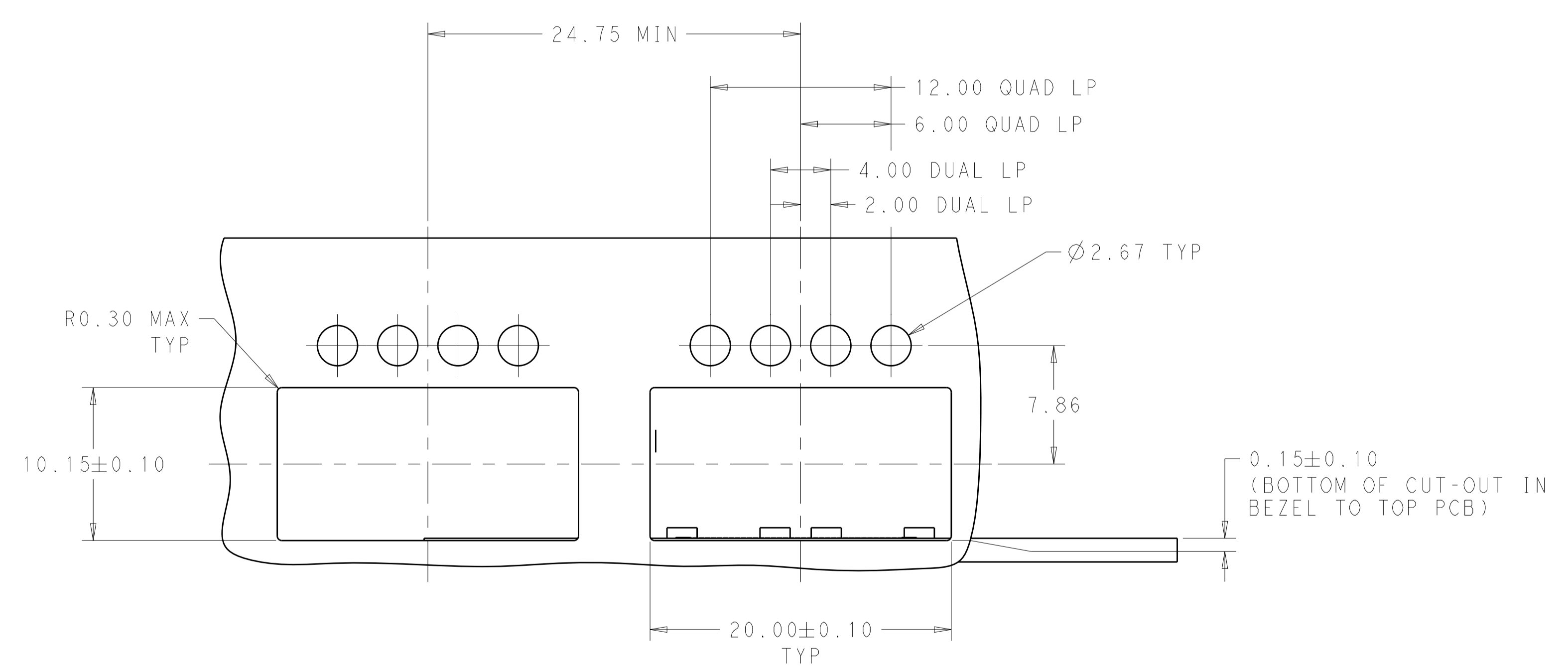
LOC		DIST		REVISIONS			
P	LTN	DESCRIPTION	DATE	DWN	APVD		
-	-	SEE SHEET 1	-	-	-		



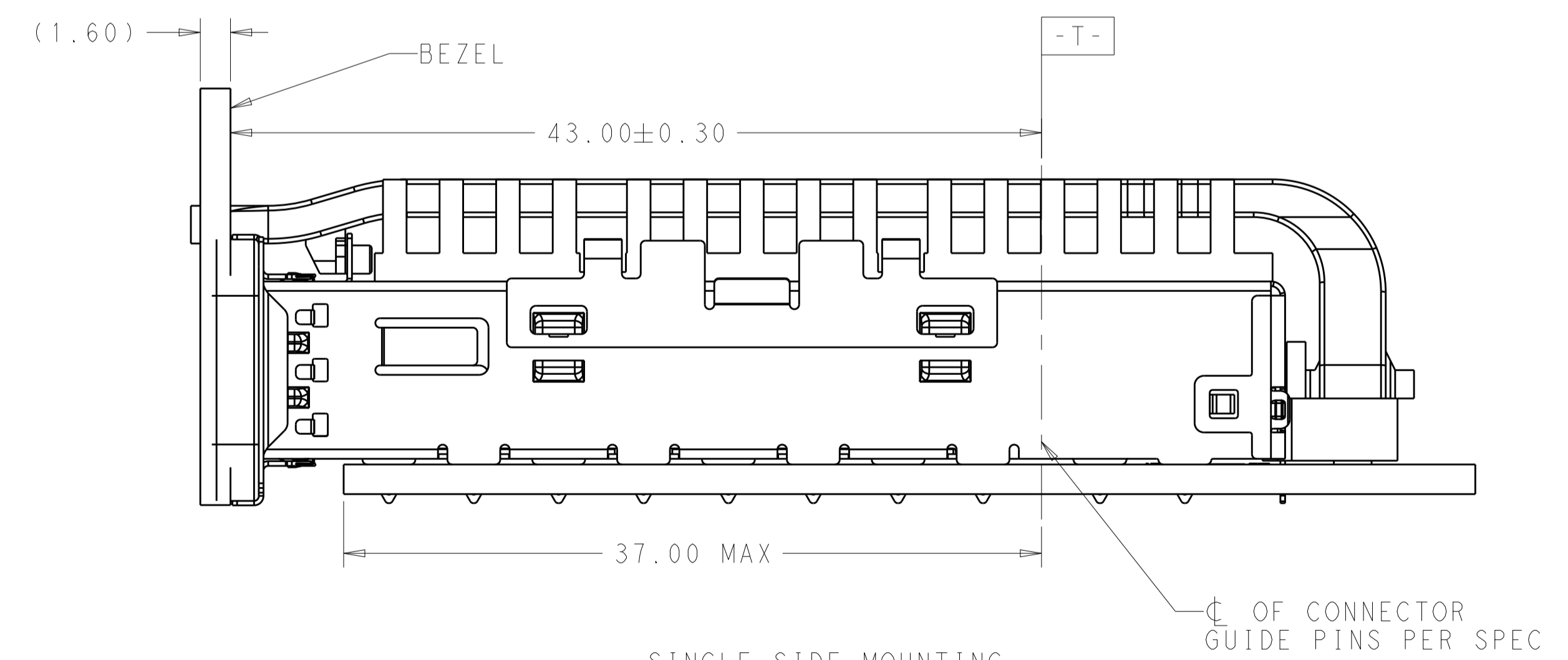
SINGLE LIGHT PIPE TYPE



SINGLE SIDE MOUNTING  
SCALE 4:1



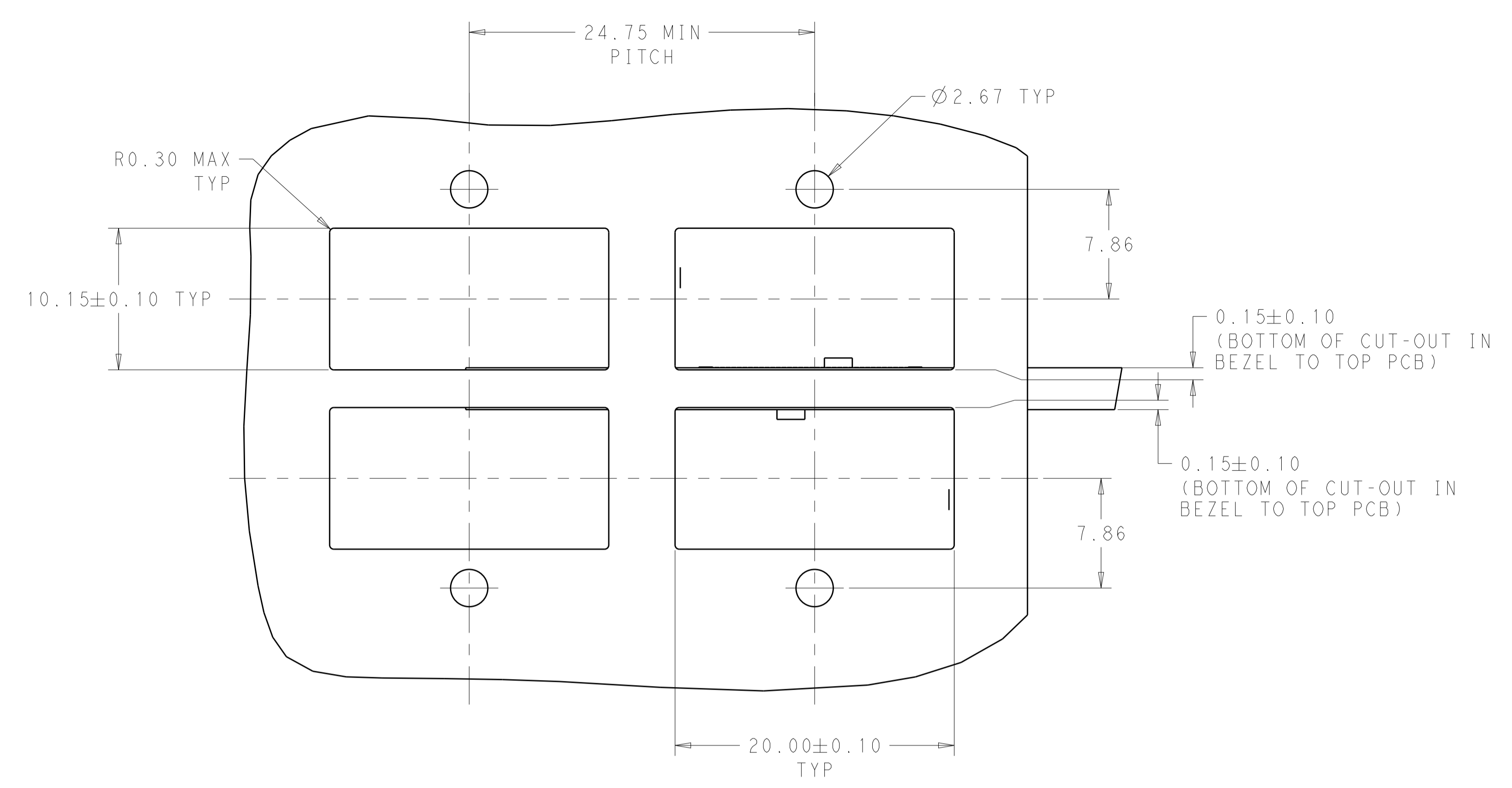
DUAL/QUAD LIGHT PIPE TYPE



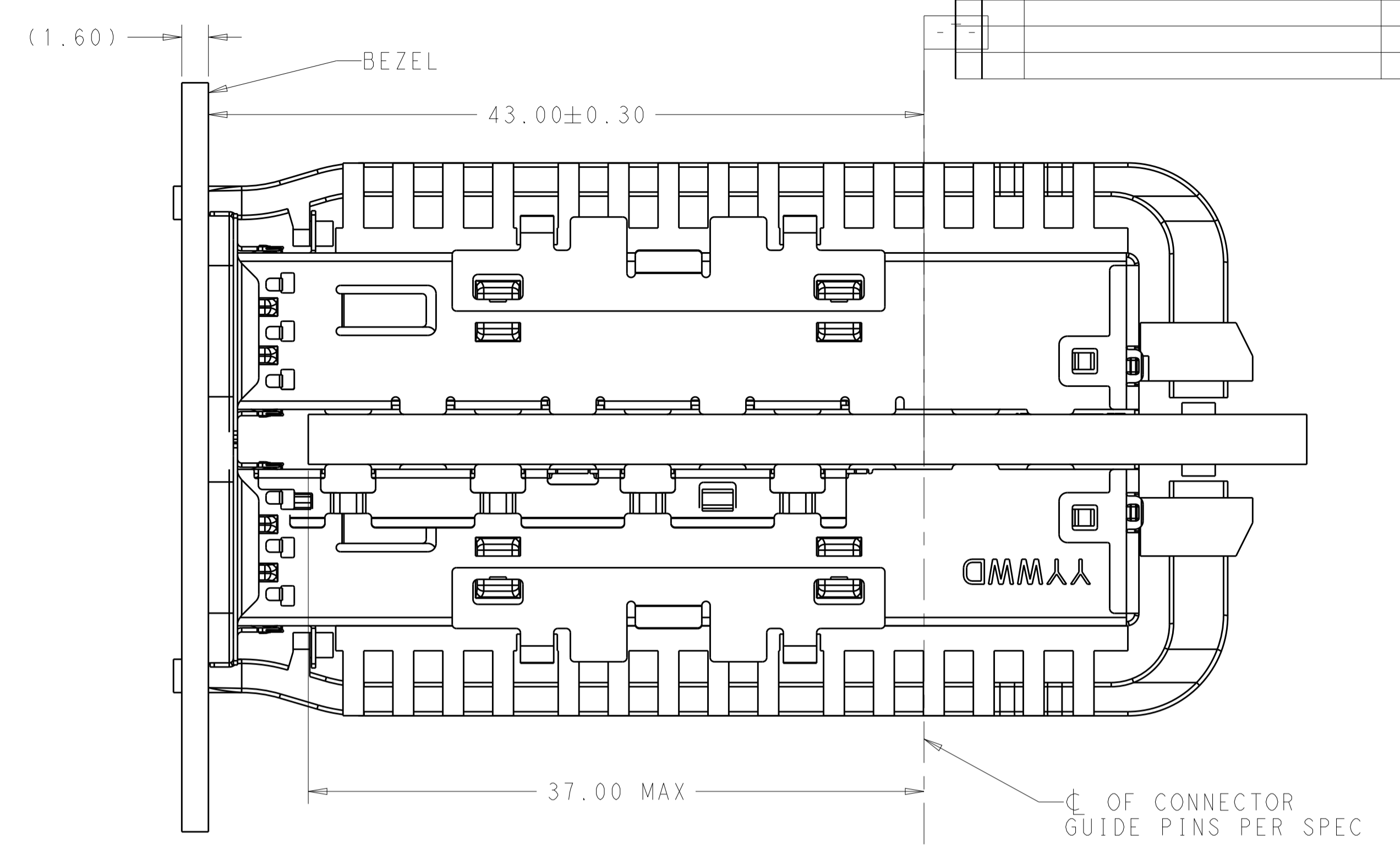
SINGLE SIDE MOUNTING  
SCALE 4:1

THIS DRAWING IS A CONTROLLED DOCUMENT.		DWN: JASON YANG 01APR2014	TE Connectivity
		CHK: SEAN HAN 30DEC2015	
DIMENSIONS: mm		TOLERANCES UNLESS OTHERWISE SPECIFIED:	NAME: CAGE ASSEMBLY, QSP28 1X1, THRU BEZEL, WITH EMI GASKET HEAT SINK, LIGHT PIPE
		0 PLC ±0.25 1 PLC ±0.25 2 PLC ±0.25 3 PLC ±0.100 4 PLC ± ANGLES ±°	PRODUCT SPEC: 108-19428 APPLICATION SPEC: 114-32023 WEIGHT: - Customer Drawing
MATERIAL: -		FINISH: -	SIZE: A100779 CAGE CODE: C=2170754 RESTRICTED TO: - SCALE: 4:1 SHEET 4 OF 7 REV B

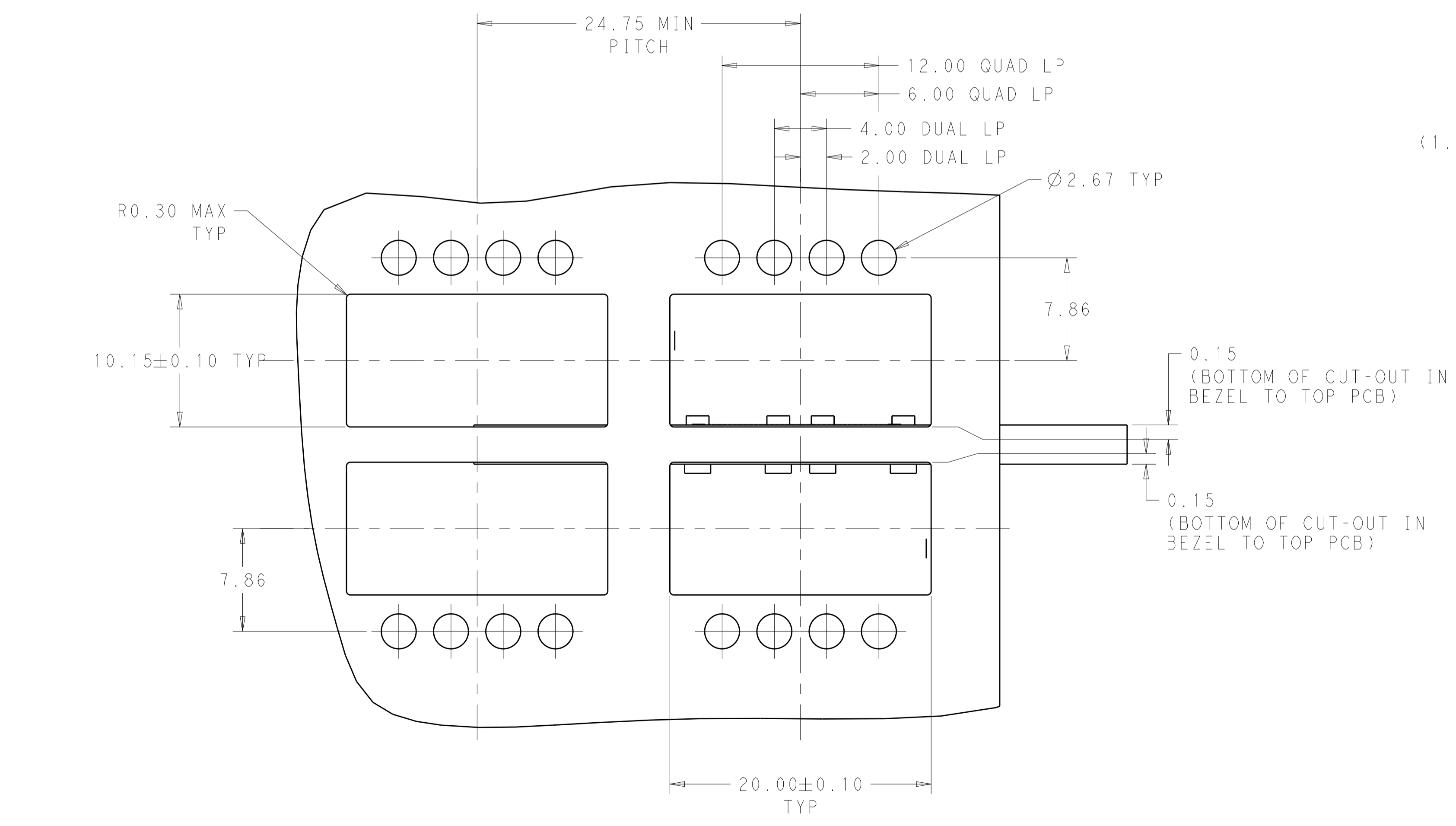
LOC	DIST	REV	DATE	BY	APPV
		1			



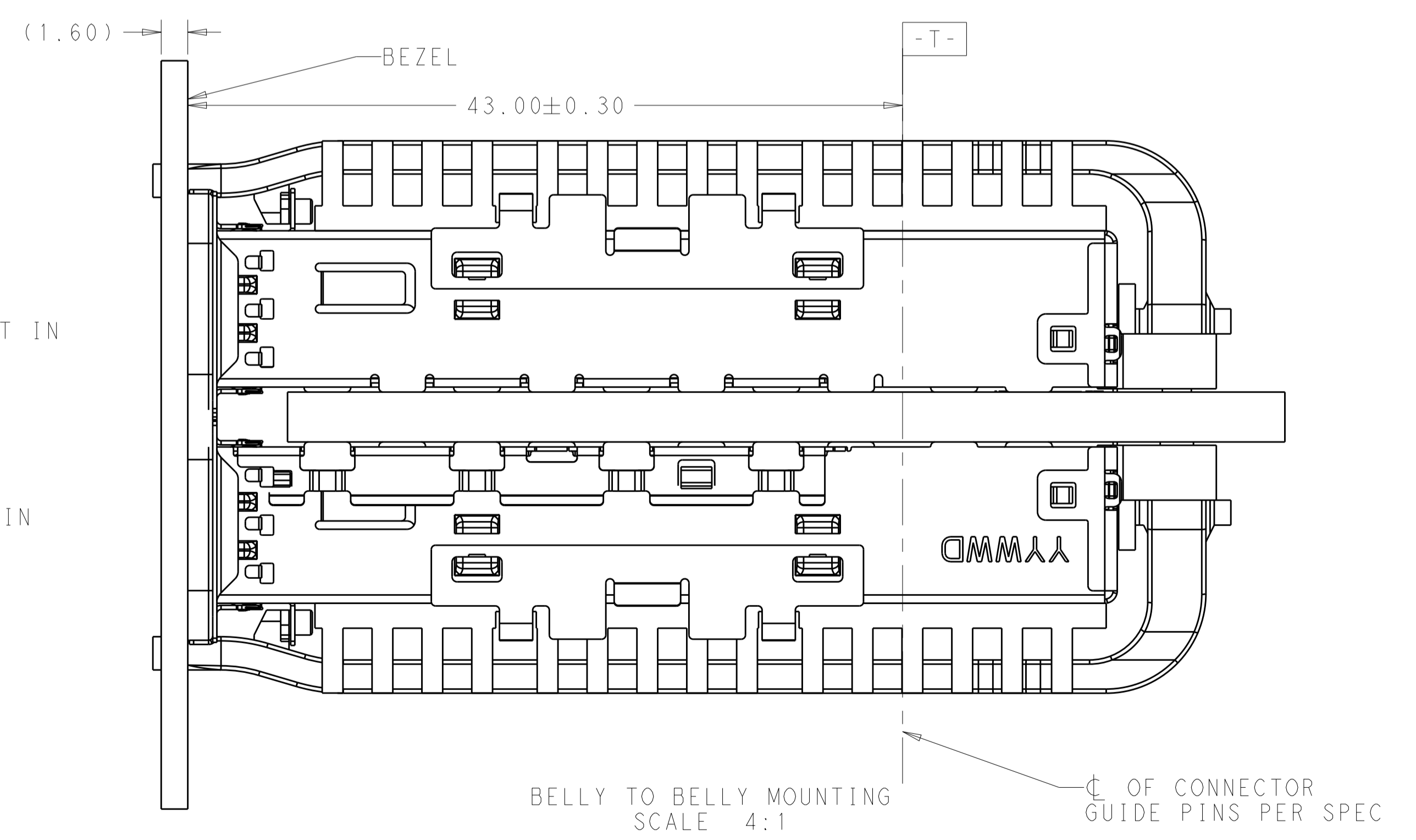
SINGLE LIGHT PIPE TYPE



BELLY TO BELLY MOUNTING  
SCALE 4:1



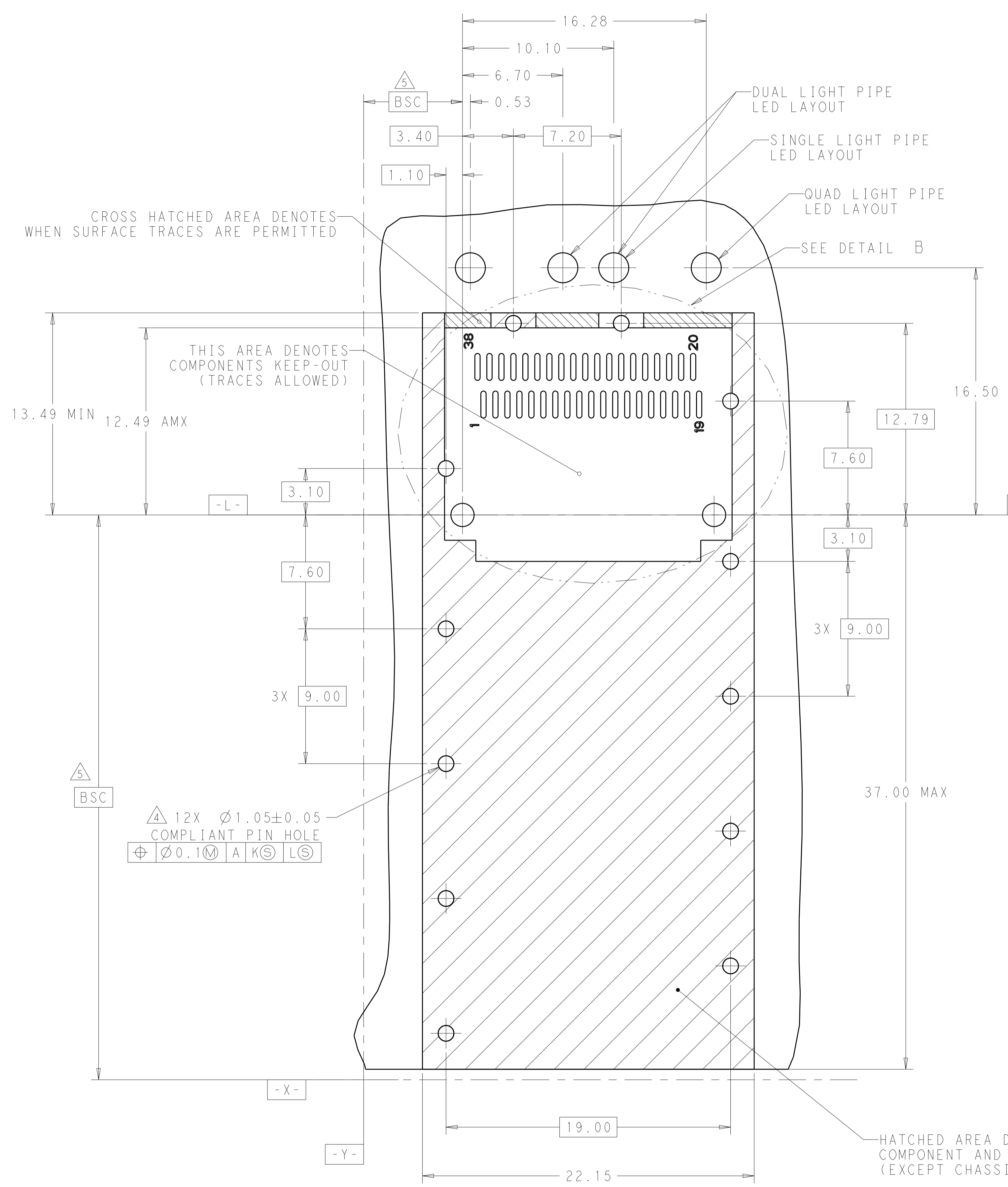
DUAL/QUAD LIGHT PIPE TYPE



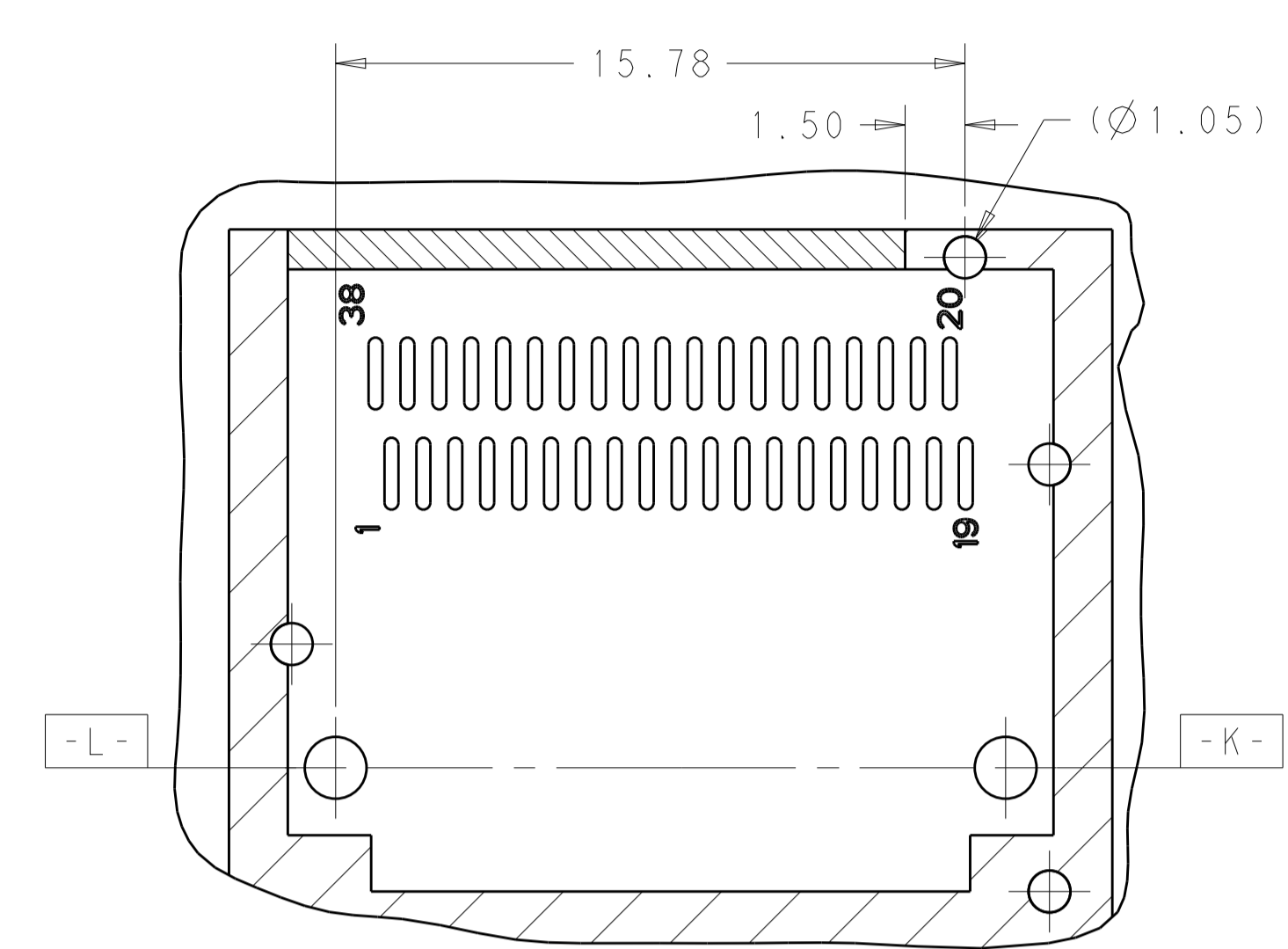
BELLY TO BELLY MOUNTING  
SCALE 4:1

THIS DRAWING IS A CONTROLLED DOCUMENT.		OWN: JASON YANG 01APR2014	TE Connectivity
DIMENSIONS: mm		CHK: SEAN HAN 30DEC2015	
TOLERANCES UNLESS OTHERWISE SPECIFIED:		APVD:	NAME: CAGE ASSEMBLY, QSP28 1X1, THRU BEZEL, WITH EMI GASKET HEAT SINK, LIGHT PIPE
0 PLC	±0.25	PRODUCT SPEC	108-19428
1 PLC	±0.25	APPLICATION SPEC	114-32023
2 PLC	±0.20	SIZE	A100779
3 PLC	±0.100	CAGE CODE	C=2170754
4 PLC	±	DRAWING NO	SCALE 4:1
ANGLES	±	WEIGHT	SHEET 5 OF 7
MATERIAL		Customer Drawing	REV B

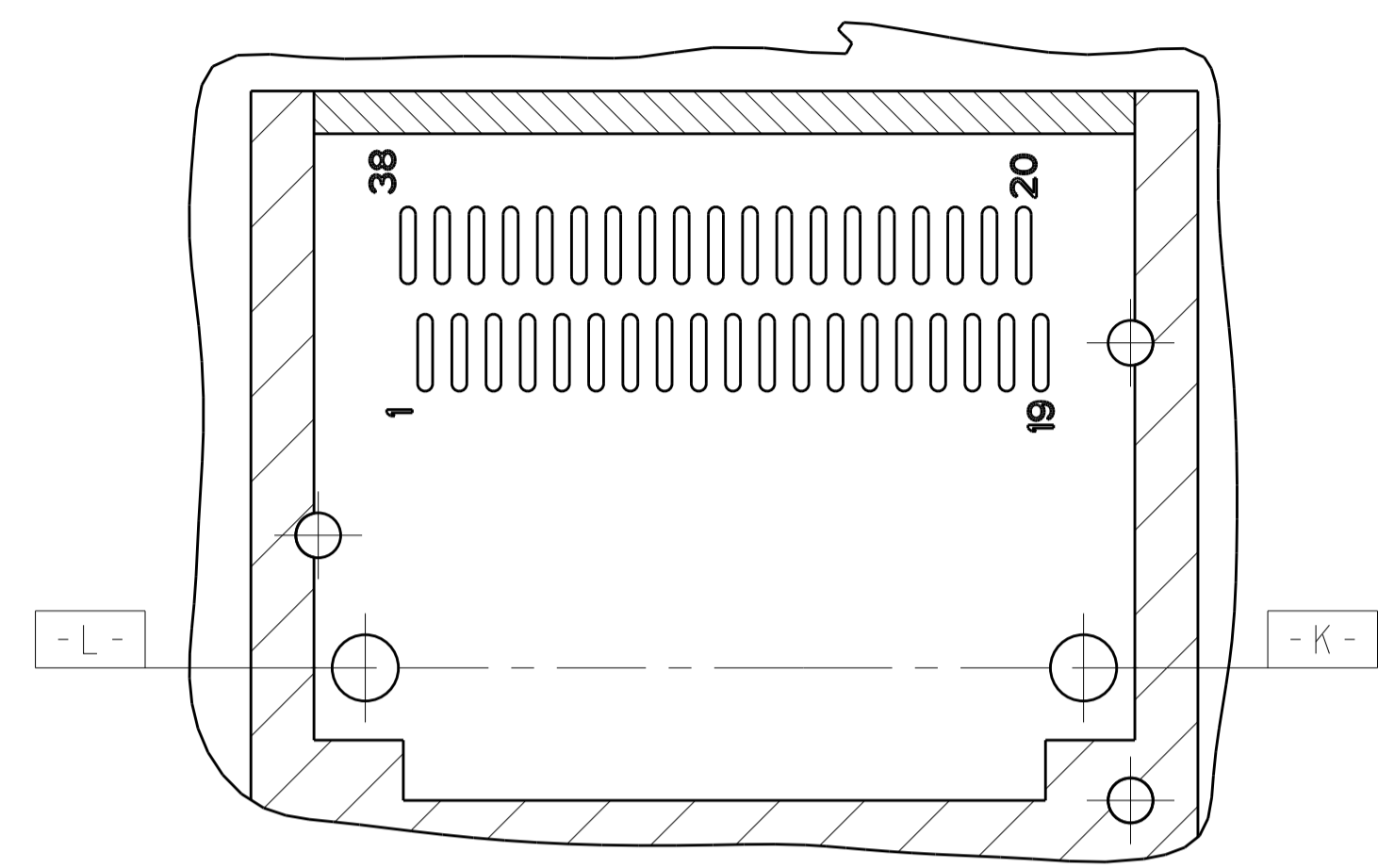
LOC	DIST	REV	DATE	BY	APPV
		1			



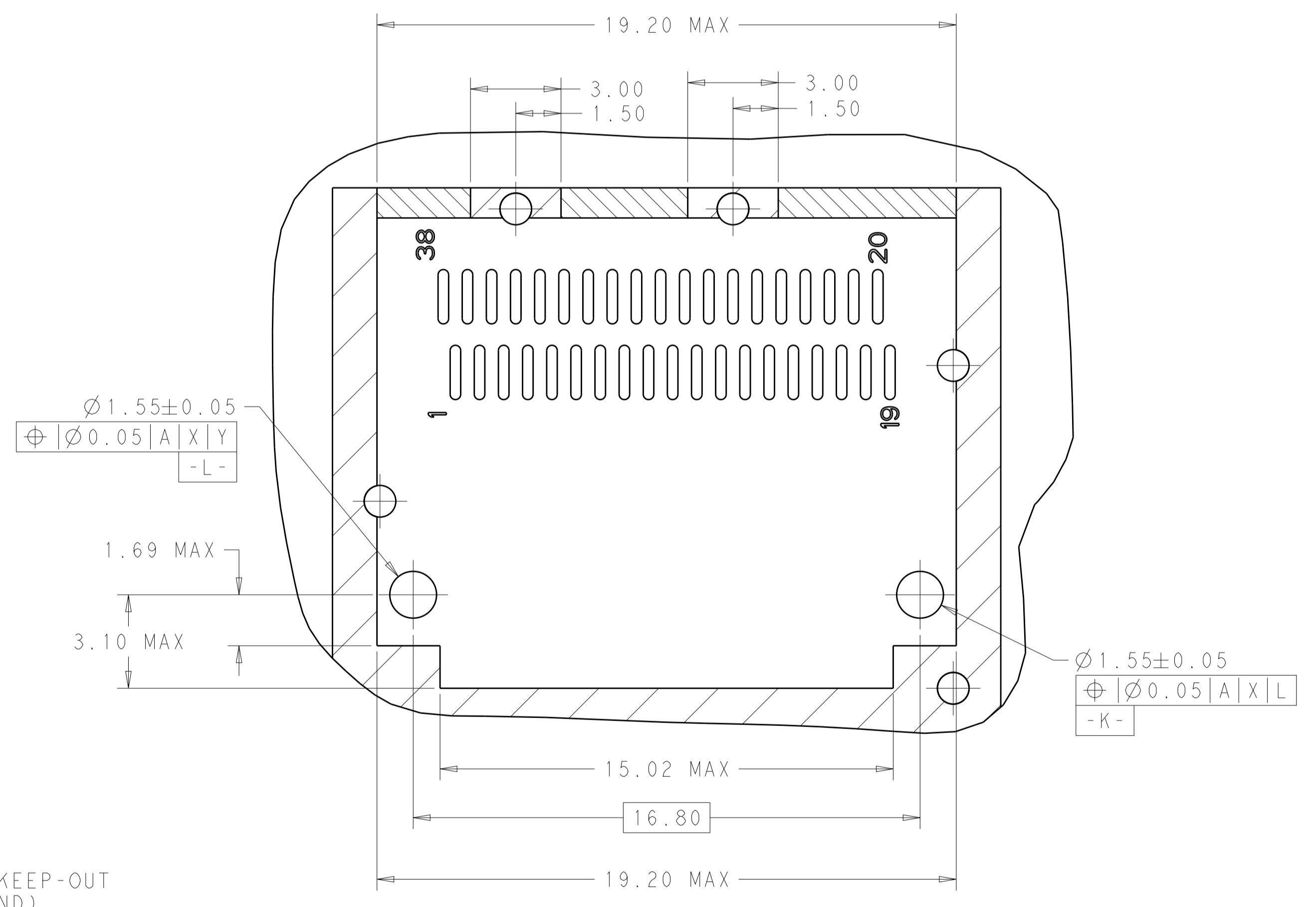
RECOMMENDED PCB LAYOUT  
 SINGLE TYPE OF 2 REAR HOLES OF LEGS  
 PCB TOLERANCE: ±0.05  
 SCALE 6:1



RECOMMENDED PCB LAYOUT  
 SINGLE TYPE OF 1 REAR HOLES OF LEGS  
 PCB TOLERANCE: ±0.05  
 SCALE 6:1



RECOMMENDED PCB LAYOUT  
 SINGLE TYPE OF 0 REAR HOLES OF LEGS  
 PCB TOLERANCE: ±0.05  
 SCALE 6:1



DETAIL B  
 SCALE 8:1

△ 12X Ø1.05±0.05  
 COMPLIANT PIN HOLE  
 ⊕ Ø0.1 | M | A | K | S | L | S

HATCHED AREA DENOTES  
 COMPONENT AND TRACE KEEP-OUT  
 (EXCEPT CHASSIS GROUND)

THIS DRAWING IS A CONTROLLED DOCUMENT.		OWN: JASON YANG 01APR2014	TE Connectivity
DIMENSIONS: mm		CHK: SEAN HAN 30DEC2015	
TOLERANCES UNLESS OTHERWISE SPECIFIED:		APVD:	NAME: CAGE ASSEMBLY, QSPF28 1X1, THRU BEZEL, WITH EMI GASKET HEAT SINK, LIGHT PIPE
0 PLC ±0.25	1 PLC ±0.25	PRODUCT SPEC: 108-19428	SIZE: A1
2 PLC ±0.20	3 PLC ±0.100	APPLICATION SPEC: 114-32023	CAGE CODE: 2170754
4 PLC ±0.100	ANGLES ±°	WEIGHT:	RESTRICTED TO:
MATERIAL:	FINISH:	Customer Drawing	SCALE: 4:1 SHEET 6 OF 7 REV B