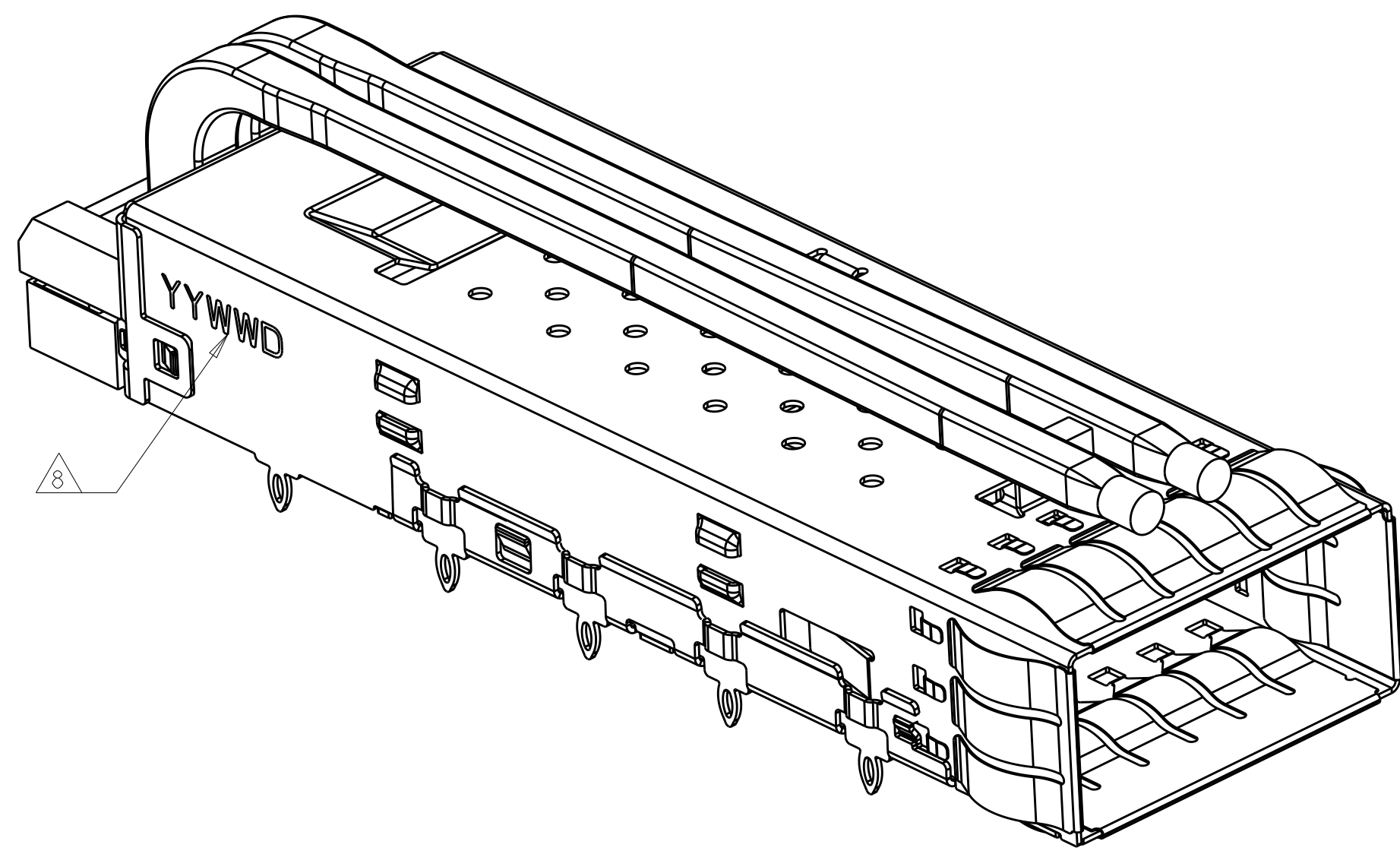
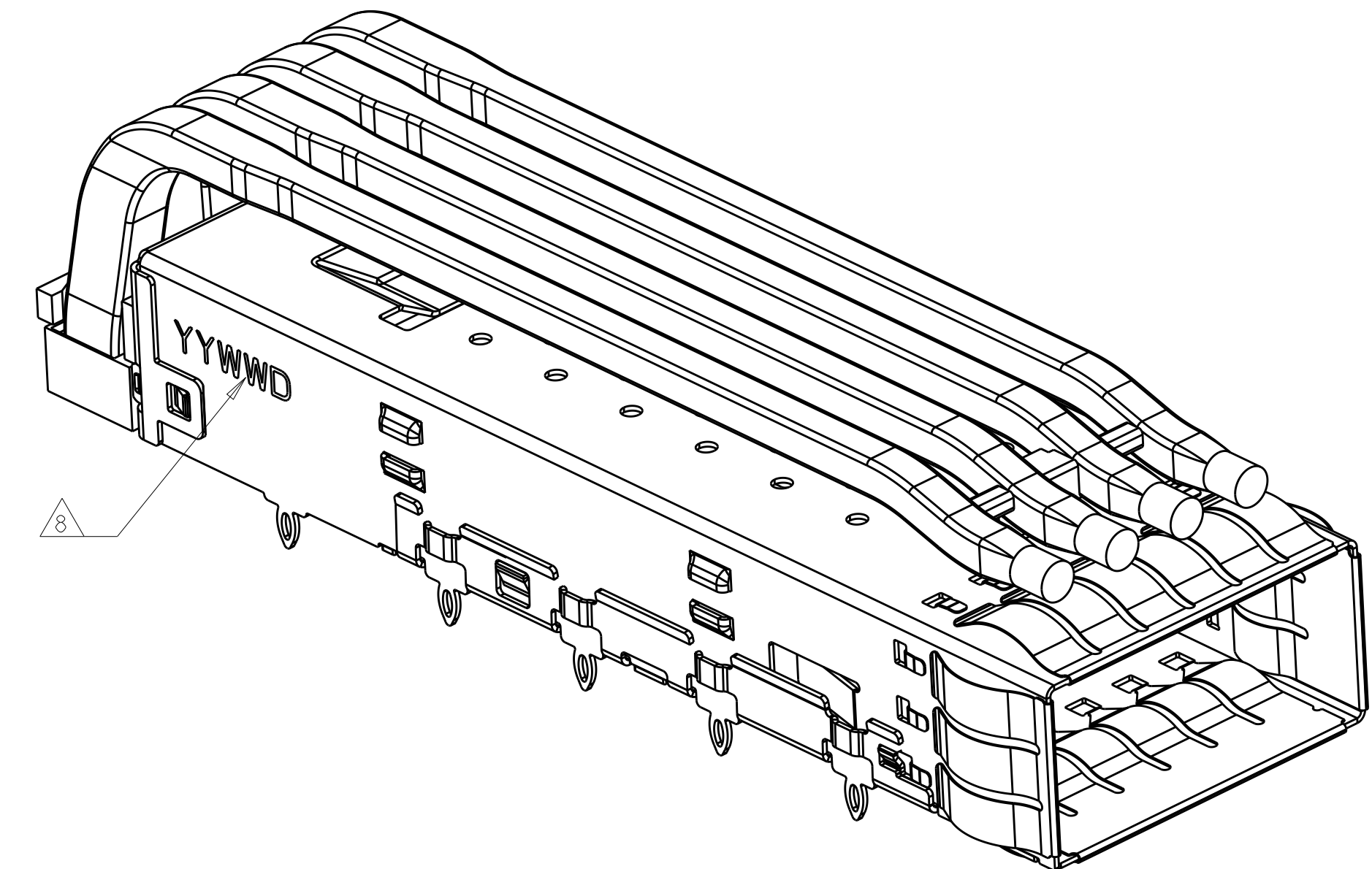


REVISIONS				
P.	LTN	DESCRIPTION	DATE	APVD
A		RELEASE	03NOV2016	JY SH



2170773-1 AS SHOWN  
SCALE 4:1



2170773-4 AS SHOWN  
SCALE 4:1

1. MATERIAL:  
 CAGE MATERIAL : 0.25 THICK NICKEL SILVER.  
 SPRING MATERIAL: COPPER ALLOY  
 LIGHT PIPE MATERIAL: POLYCARBONATE WITH 94 V-0  
 ORGANIZER MATERIAL: POLYESTER WITH 94 V-0

2. FINISH:  
 SPRING: NICKEL PLATING

3. DIMENSION APPLIES WITH MODULE INSTALLED IN THE CAGE TO TOP OF HEAT SINK.

4. REFERENCE APPLICATION SPEC 114-32023 FOR RECOMMENDED DRILL HOLE DIAMETER AND PLATING THICKNESS.

5. DATUM AND BASIC DIMENSIONS ESTABLISHED BY CUSTOMERS.

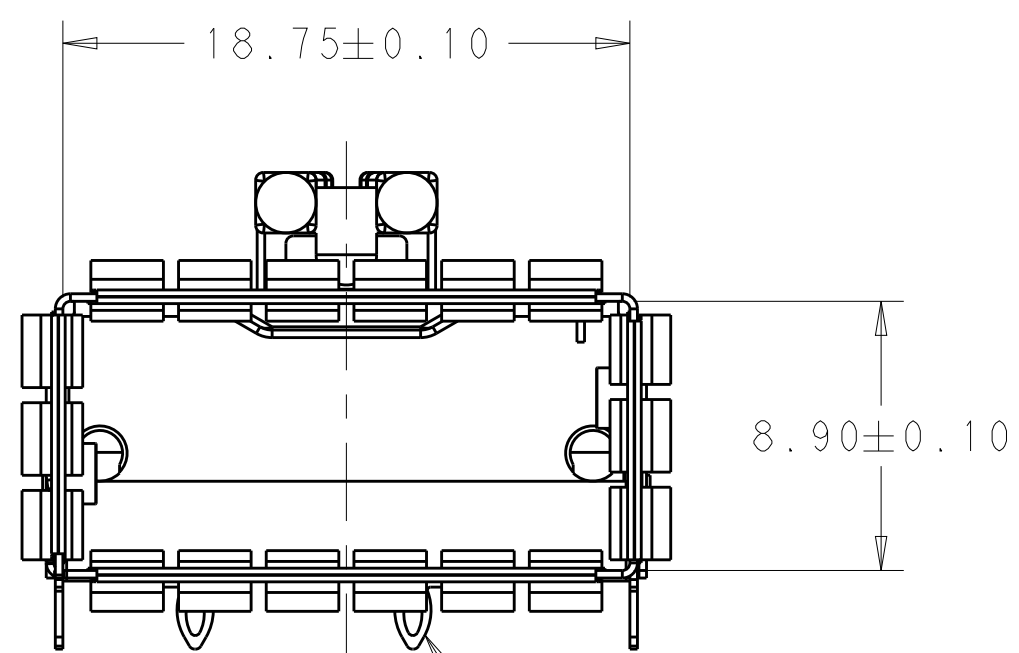
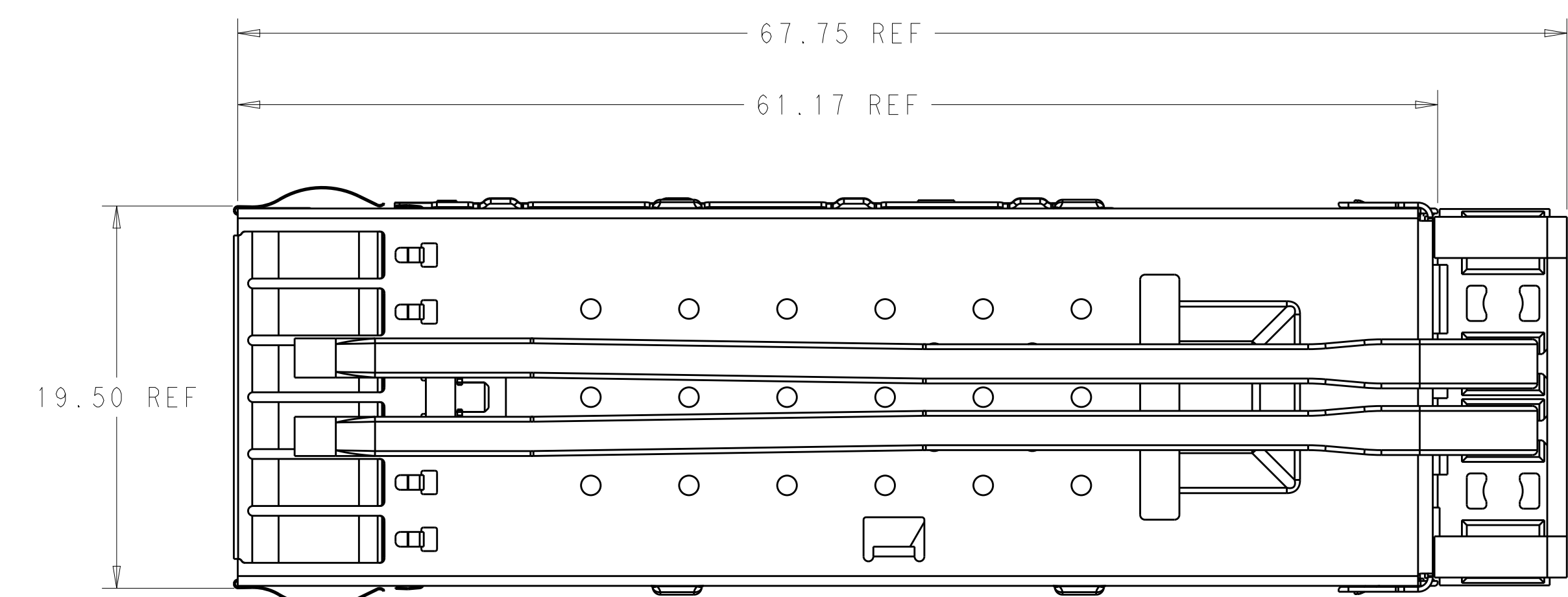
6. MINIMUM PC BOARD THICKNESS : SINGLE SIDED: 1.57 MIN  
 DOUBLE SIDED: 2.20 MIN

7. DATUM [-A-] IS TOP SURFACE OF THE HOST BOARD.

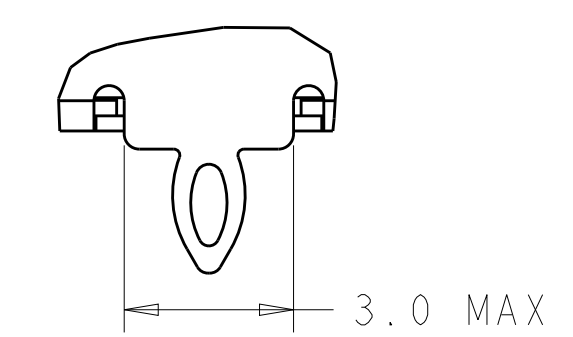
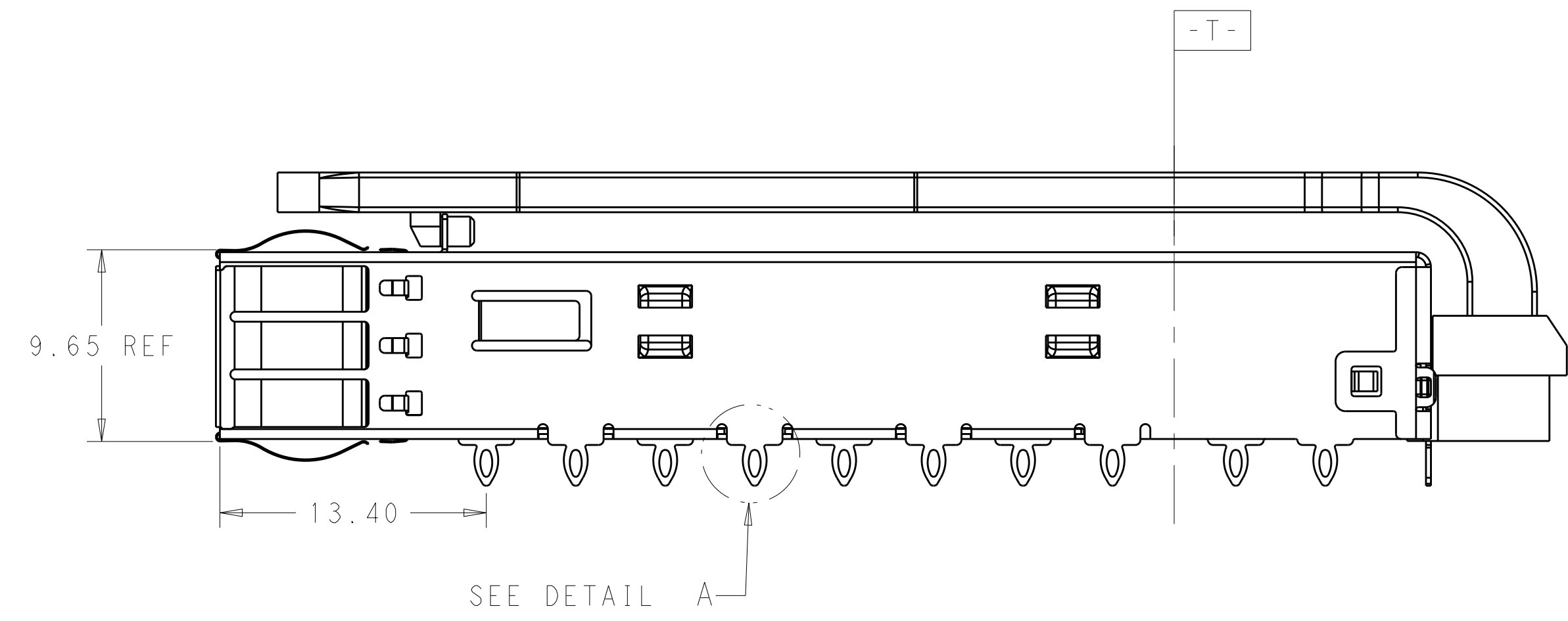
8. DATE CODE (YYWWD) MARKED APPROXIMATELY AS SHOWN

9. MATES WITH QSFP28 MSA COMPATIBLE TRANSCEIVER.

10. THESE HOLES ARE OPTIONAL WHEN THE REAR PINS ARE REMOVED.



REAR PINS OPTION



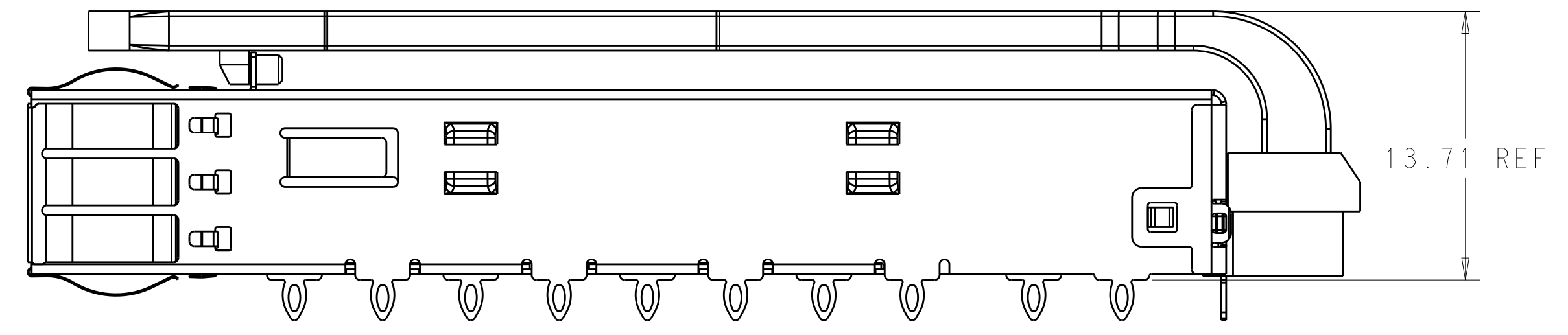
DETAIL A  
SCALE 8:1

SINGLE	0	2170773-7
QUAD	0	2170773-6
QUAD	1	2170773-5
QUAD	2	2170773-4
DUAL	0	2170773-3
DUAL	1	2170773-2
DUAL	2	2170773-1
LIGHT PIPE OPTION	# OF REAR PINS OPTION	PART NUMBER

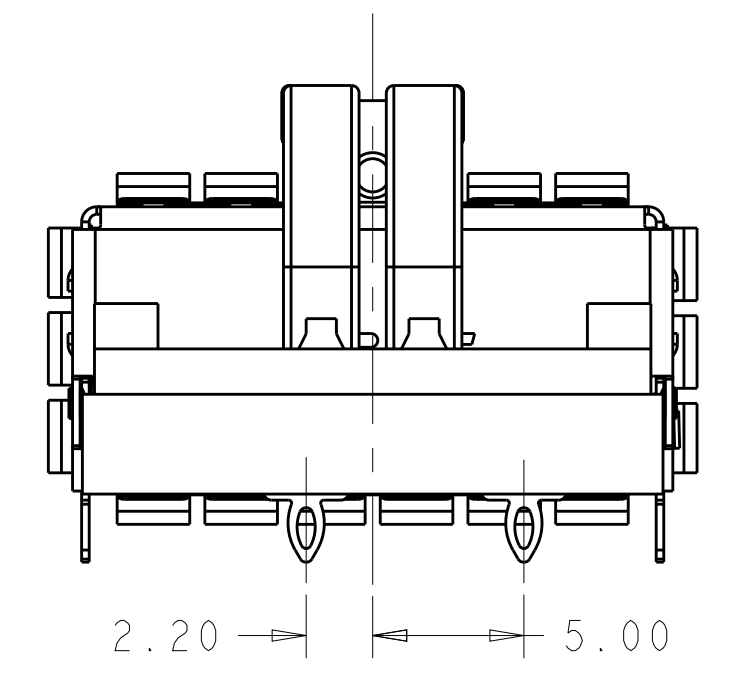
THIS DRAWING IS A CONTROLLED DOCUMENT.		OWN: JASON YANG 23SEP2013	TE Connectivity
DIMENSIONS: mm		CHK: SEAN HAN 23SEP2013	
TOLERANCES UNLESS OTHERWISE SPECIFIED:		APVD: 23SEP2013	NAME: CAGE ASSEMBLY, QSFP28, THRU BEZEL WITH EMI SPRING FINGER LIGHT PIPE
0 PLC	±0.25	PRODUCT SPEC	108-19428
1 PLC	±0.25	APPLICATION SPEC	114-32023
2 PLC	±0.20	SIZE	A100779C=2170773
3 PLC	±0.100	WEIGHT	
4 PLC	±"	CUSTOMER DRAWING	SCALE 2:1 SHEET 1 OF 7 REV A
ANGLES			
FINISH			

REVISIONS				
P. LTR.	DESCRIPTION	DATE	OWN	APVD
-	SEE SHEET 1	-	-	-

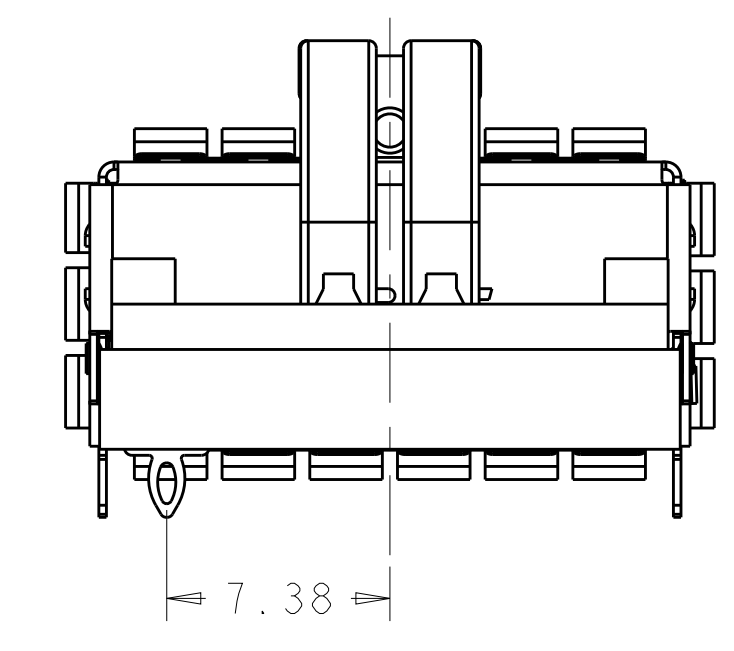
### # OF REAR LEGS OPTION



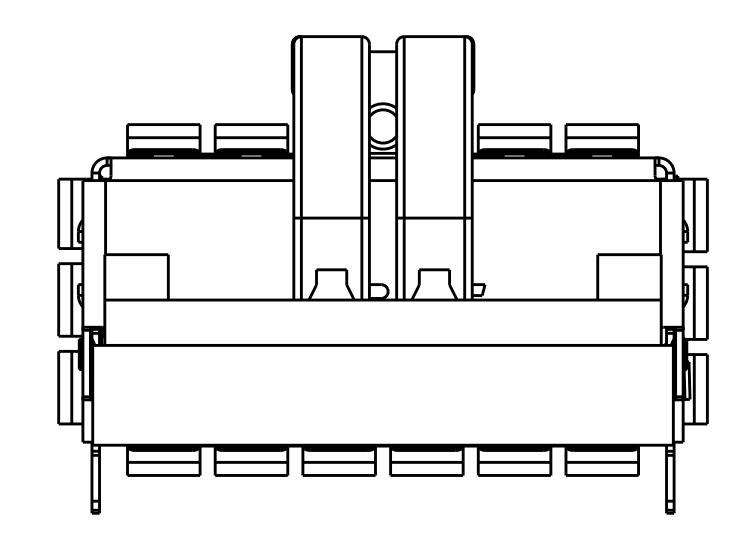
PN: 2170773-1/2/3



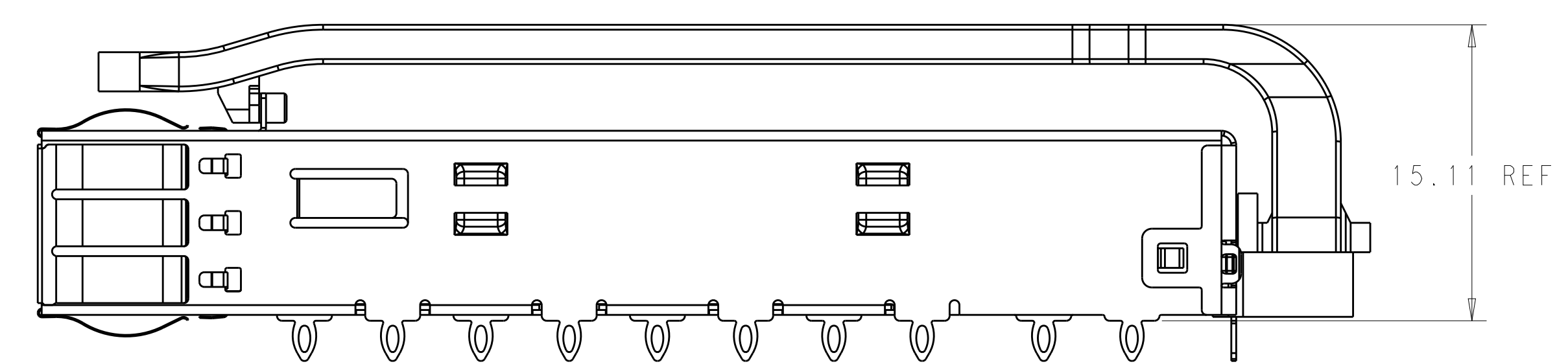
BACK VIEW OF 2170773-1  
SCALE 4:1



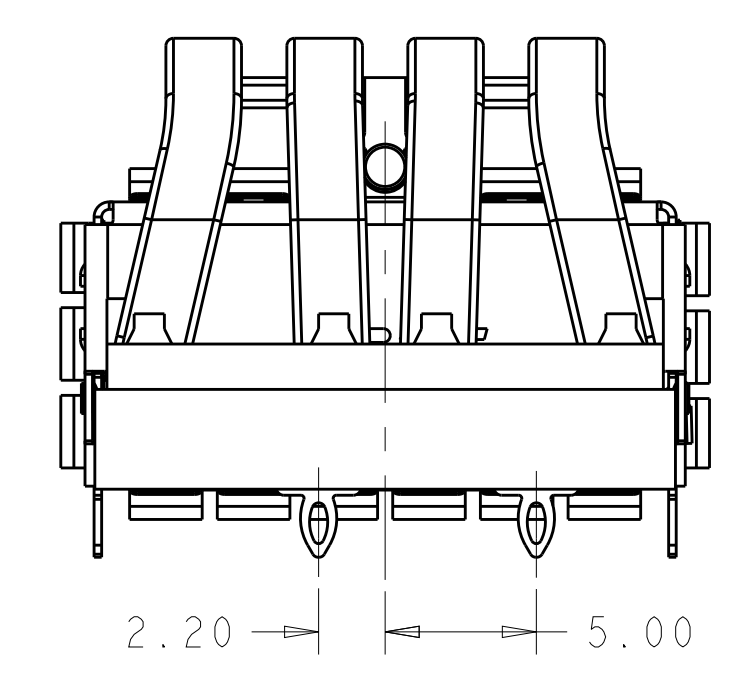
BACK VIEW OF 2170773-2  
SCALE 4:1



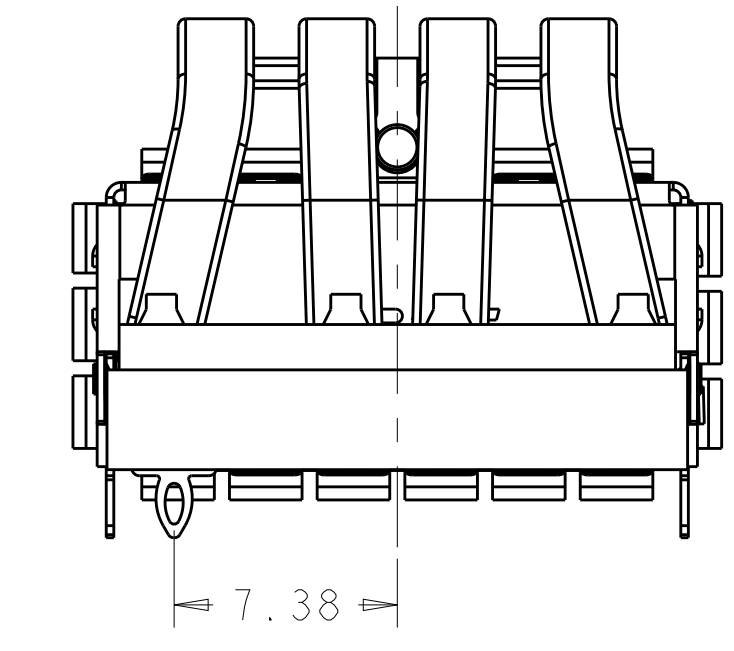
BACK VIEW OF 2170773-3  
SCALE 4:1



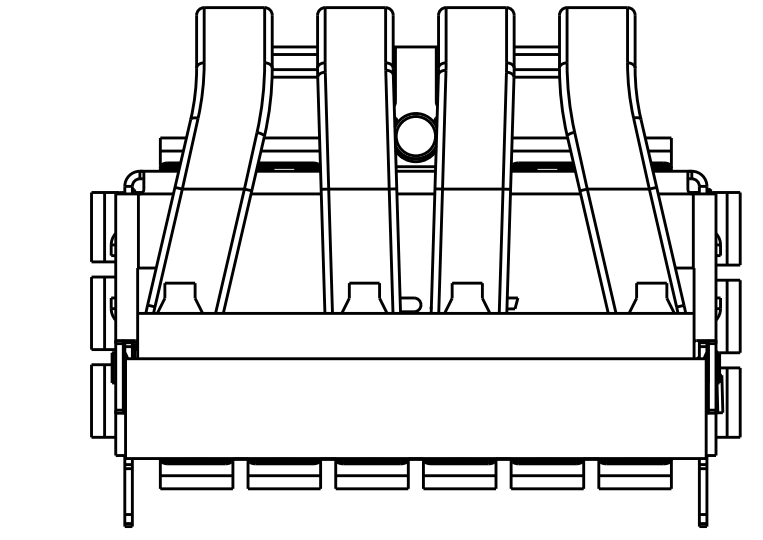
PN: 2170773-4/5/6



BACK VIEW OF 2170773-4  
SCALE 4:1



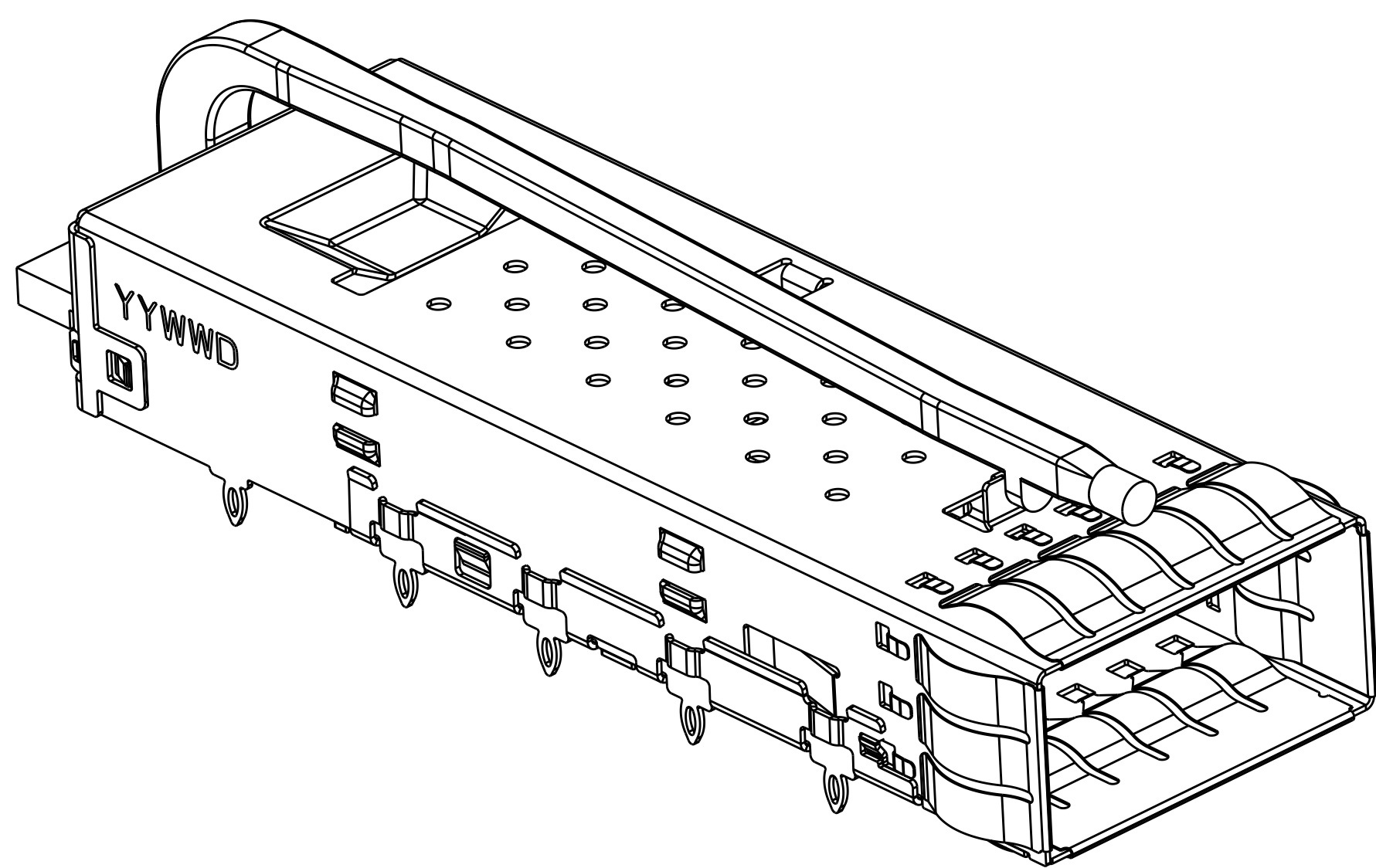
BACK VIEW OF 2170773-5  
SCALE 4:1



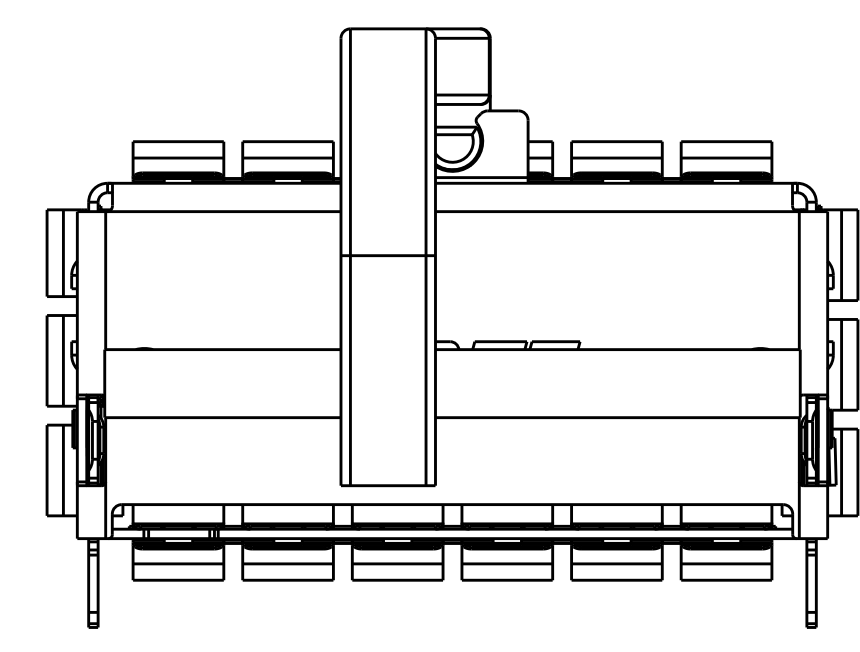
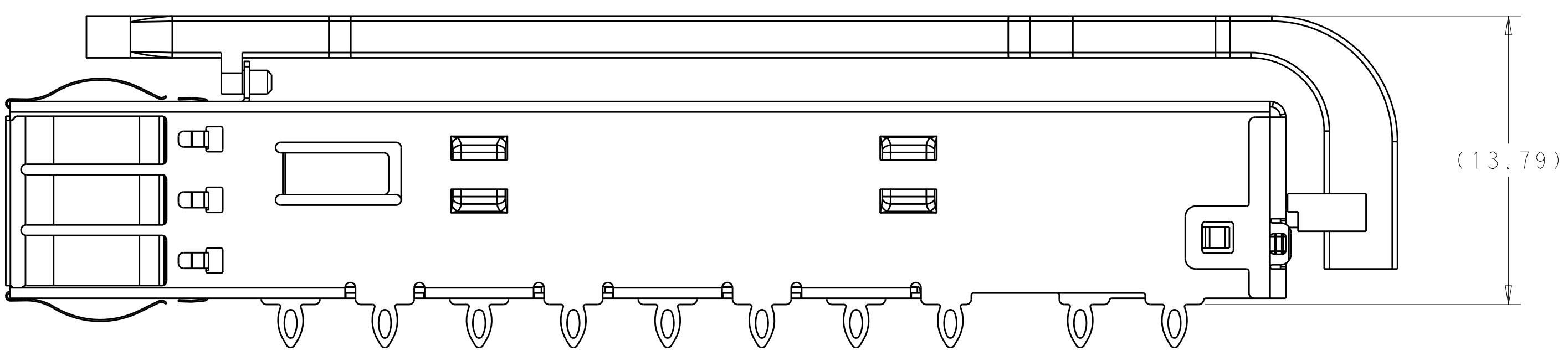
BACK VIEW OF 2170773-6  
SCALE 4:1

THIS DRAWING IS A CONTROLLED DOCUMENT.		OWN: JASON YANG 23SEP2013	TE Connectivity
		CHK: SEAN HAN 23SEP2013	
DIMENSIONS:		APVD: SEAN HAN 23SEP2013	NAME: CAGE ASSEMBLY, QSFP28, THRU BEZEL WITH EMI SPRING FINGER LIGHT PIPE PRODUCT SPEC: 108-19428 APPLICATION SPEC: 114-32023
TOLERANCES UNLESS OTHERWISE SPECIFIED: 0 PLC ±0.25 1 PLC ±0.25 2 PLC ±0.25 3 PLC ±0.100 4 PLC ± ANGLES ±°		SIZE: A1 CAGE CODE: 00779 DRAWING NO: C=2170773	
MATERIAL: -		WEIGHT: -	RESTRICTED TO: -
FINISH: -		CUSTOMER DRAWING	SCALE: 2:1 SHEET 2 OF 7 REV A

REVISIONS				
P.	LTN	DESCRIPTION	DATE	APVD
-	-	SEE SHEET 1	-	-



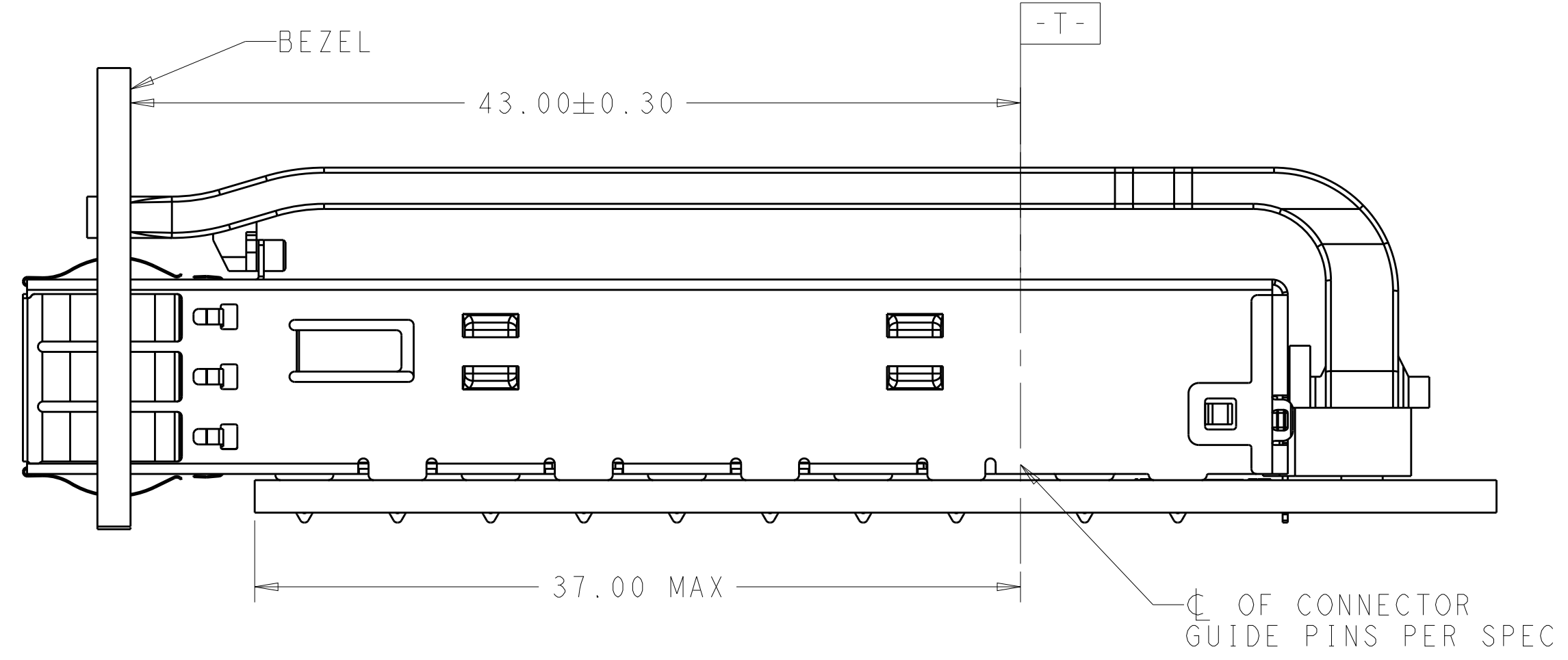
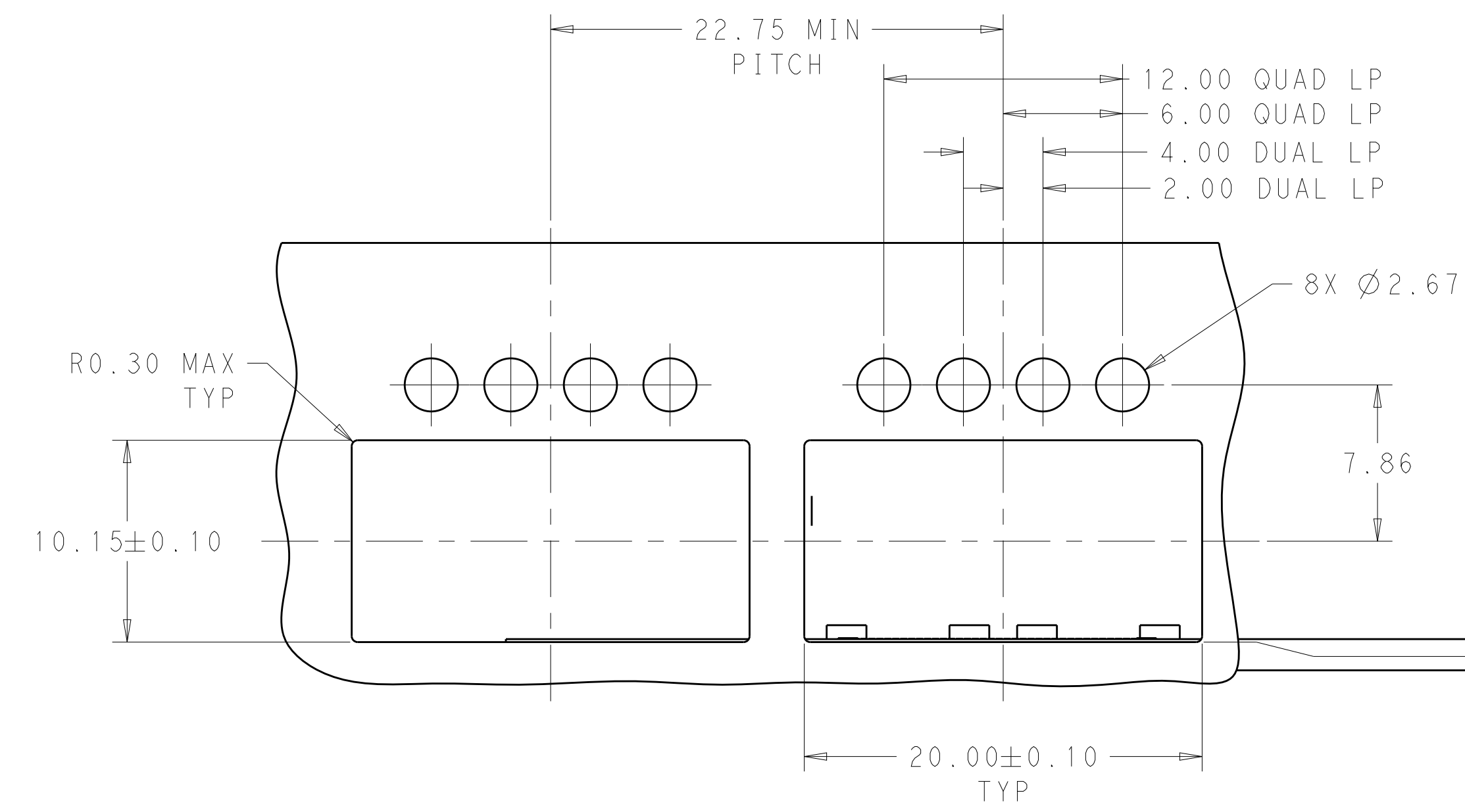
2170773-7 AS SHOWN  
SCALE 4:1



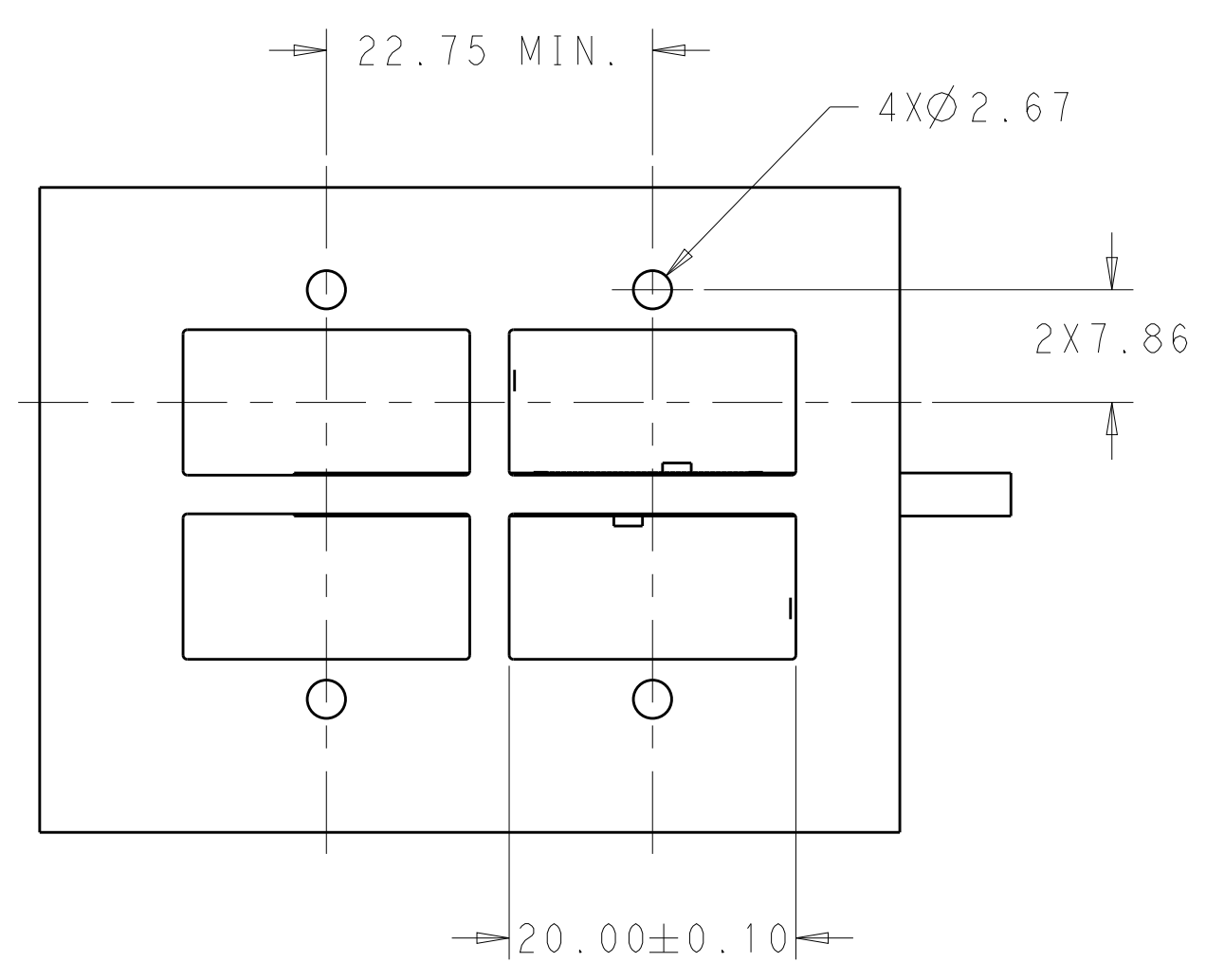
2170773-7 BACK VIEW  
SCALE 5:1

THIS DRAWING IS A CONTROLLED DOCUMENT.		DWN: JASON YANG 23SEP2013	TE Connectivity
		CHK: SEAN HAN 23SEP2013	
		APVD: 23SEP2013	NAME: CAGE ASSEMBLY, OSFP28, THRU BEZEL WITH EMI SPRING FINGER LIGHT PIPE
DIMENSIONS:		PRODUCT SPEC	SIZE: CAGE CODE DRAWING NO
TOLERANCES UNLESS OTHERWISE SPECIFIED:		108-19428	RESTRICTED TO
mm	0 PLC ±0.25	APPLICATION SPEC	A100779C=2170773
	1 PLC ±0.25	114-32023	SCALE 2:1 SHEET 3 OF 7 REV A
	2 PLC ±0.20	WEIGHT	
	3 PLC ±0.100	CUSTOMER DRAWING	
	4 PLC ±		
	ANGLES ±°		
	FINISH		

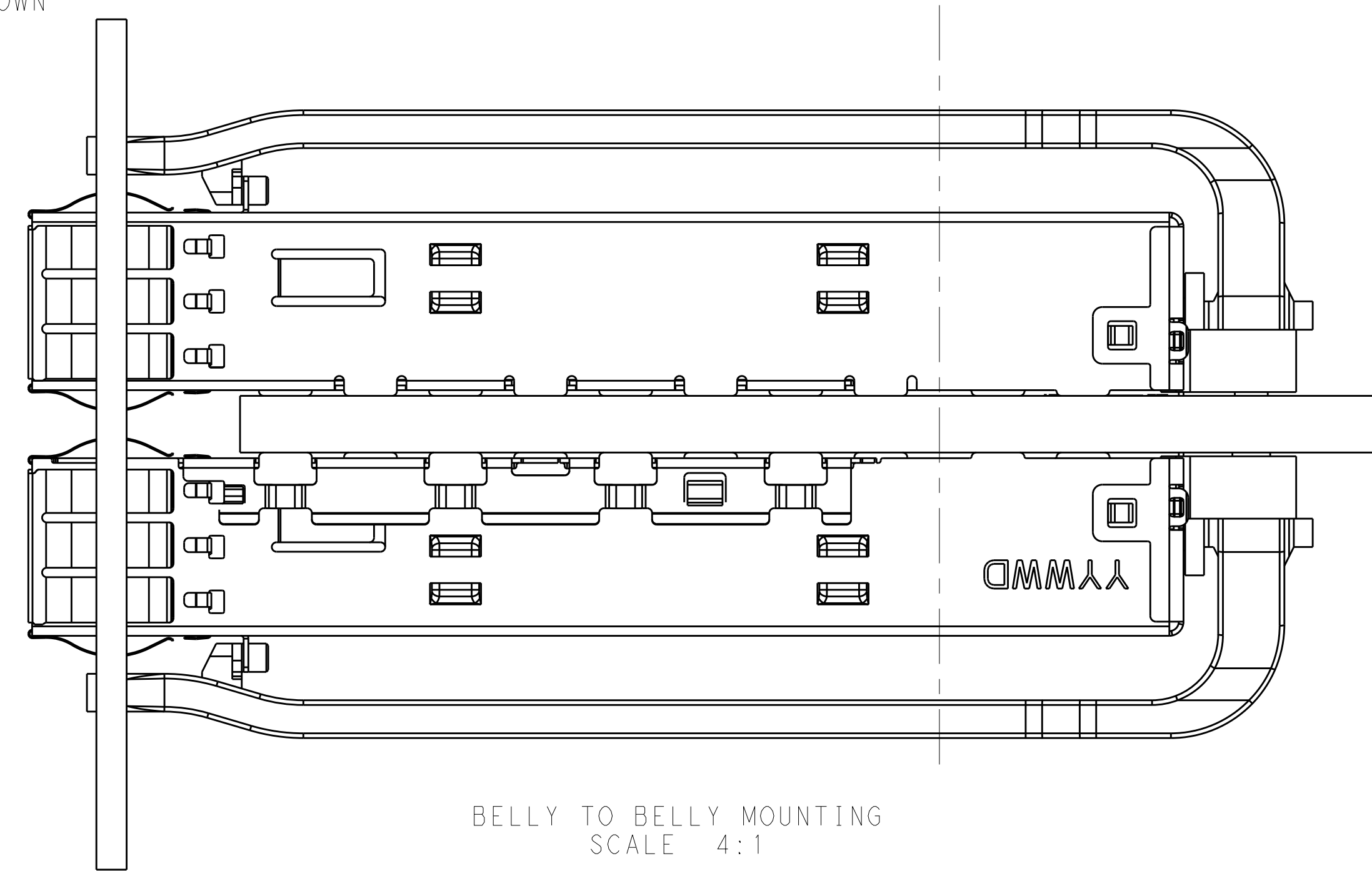
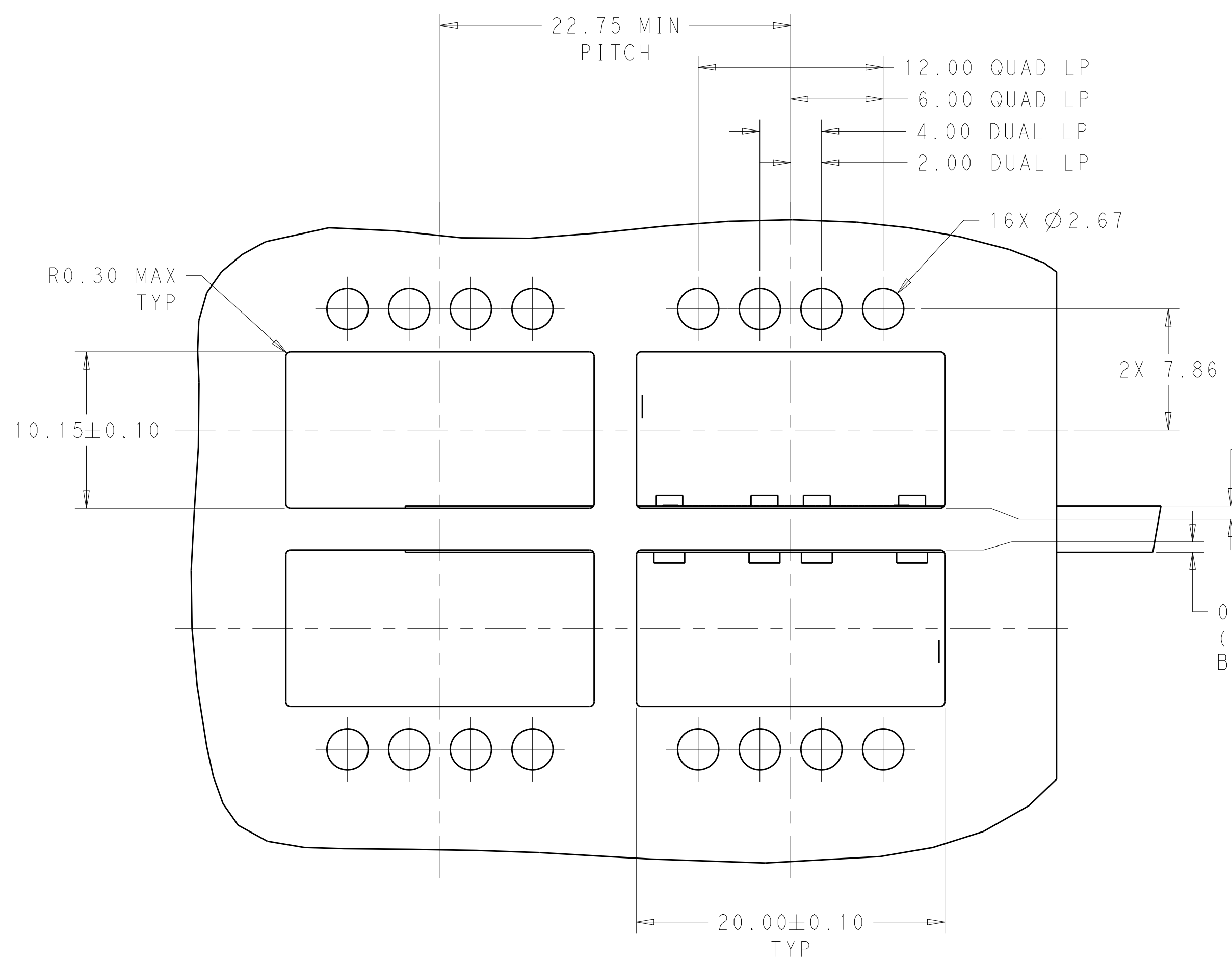
REVISIONS				
P. LTR.	DESCRIPTION	DATE	OWN	APVD
-	SEE SHEET 1	-	-	-



SINGLE SIDE MOUNTING  
SCALE 4:1



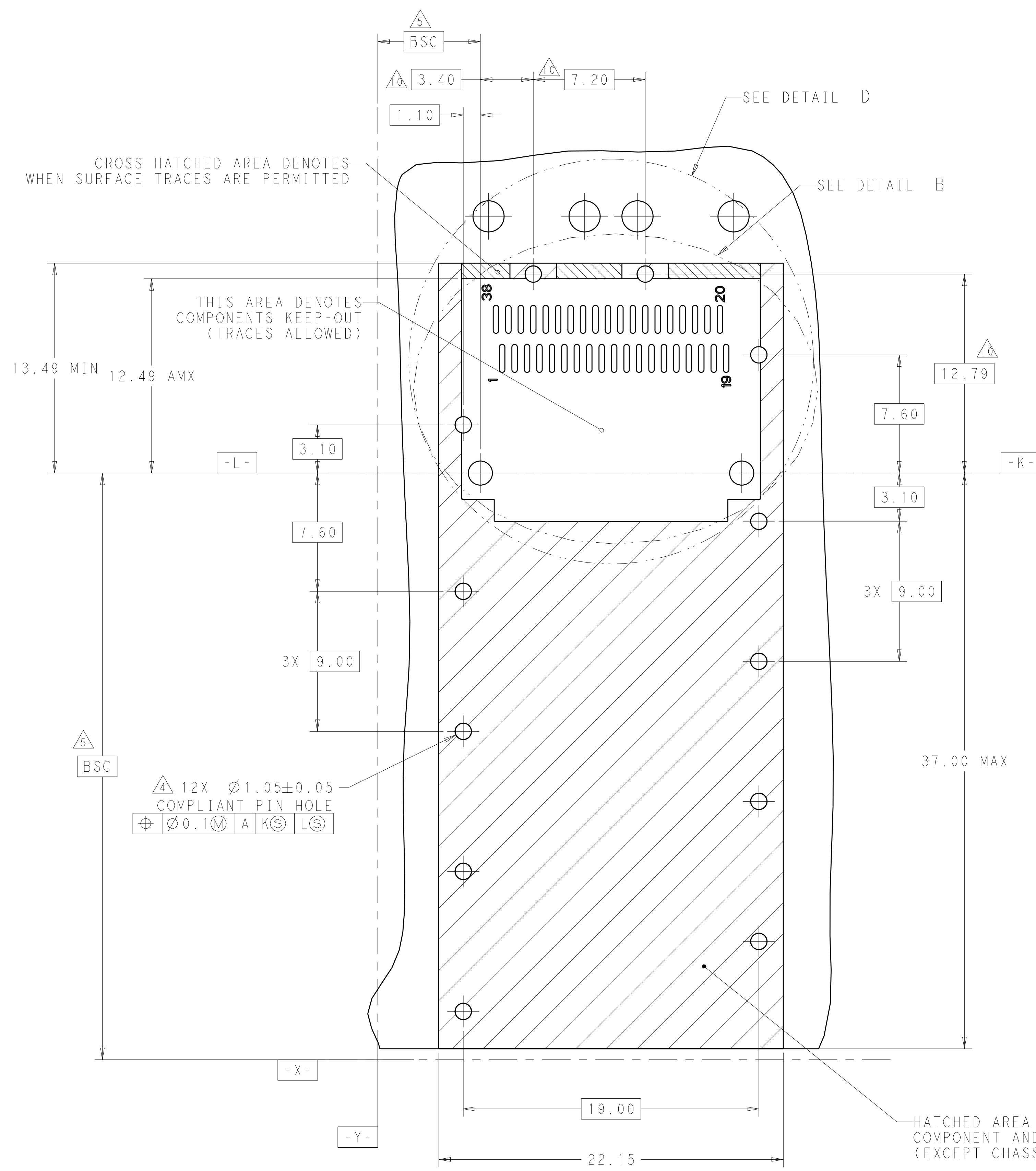
FOR SINGLE LP BELLY TO BELLY APPLICATION  
UNDIMENSIONED SPEC SAME TO DUAL LP SHOWN  
SCALE 2:1



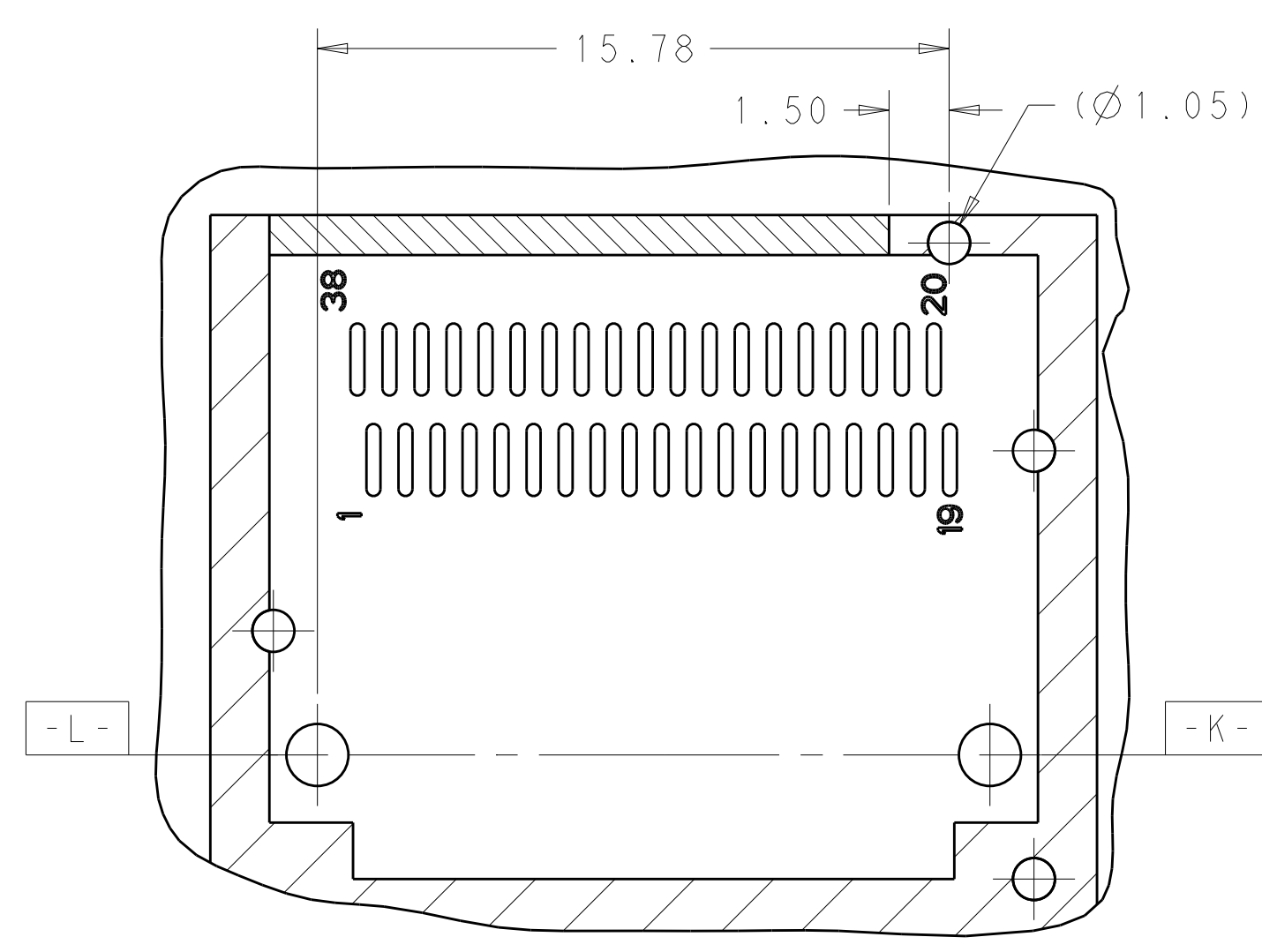
BELLY TO BELLY MOUNTING  
SCALE 4:1

THIS DRAWING IS A CONTROLLED DOCUMENT.		OWN: JASON YANG 23SEP2013	TE Connectivity
DIMENSIONS: mm		CHK: SEAN HAN 23SEP2013	
TOLERANCES UNLESS OTHERWISE SPECIFIED:		APVD: SEAN HAN 23SEP2013	NAME: CAGE ASSEMBLY, OSFP28, THRU BEZEL WITH EMI SPRING FINGER LIGHT PIPE
0 PLC	±0.25	PRODUCT SPEC	108-19428
1 PLC	±0.25	APPLICATION SPEC	114-32023
2 PLC	±0.25	SIZE	A100779
3 PLC	±0.25	CAGE CODE	C=2170773
4 PLC	±0.100	DRAWING NO	2170773
ANGLES	±°	WEIGHT	-
FINISH	-	CUSTOMER DRAWING	SCALE 2:1 SHEET 4 OF 7 REV A

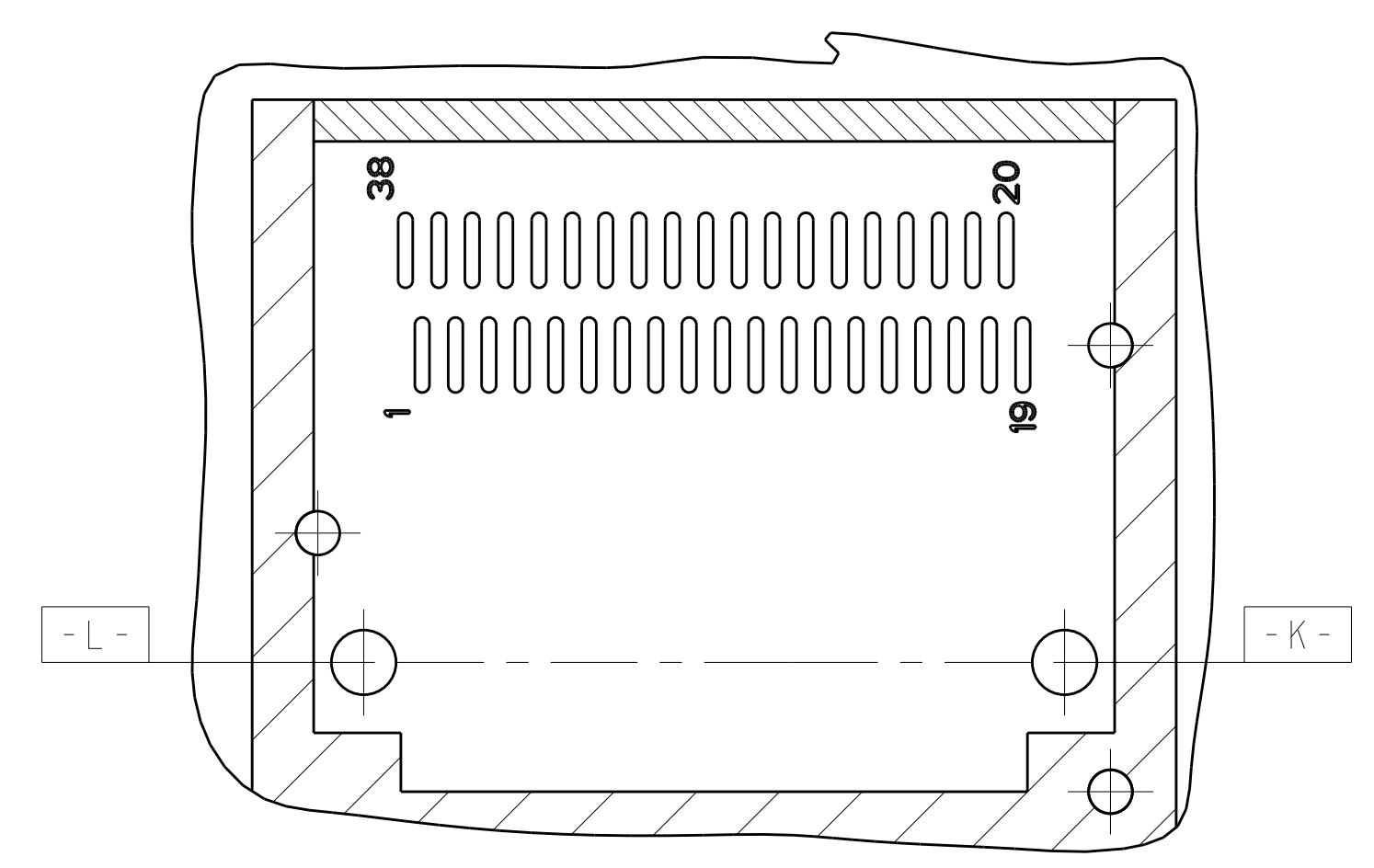
REVISIONS				
P.	LTR.	DESCRIPTION	DATE	APVD.
-	-	SEE SHEET 1	-	-



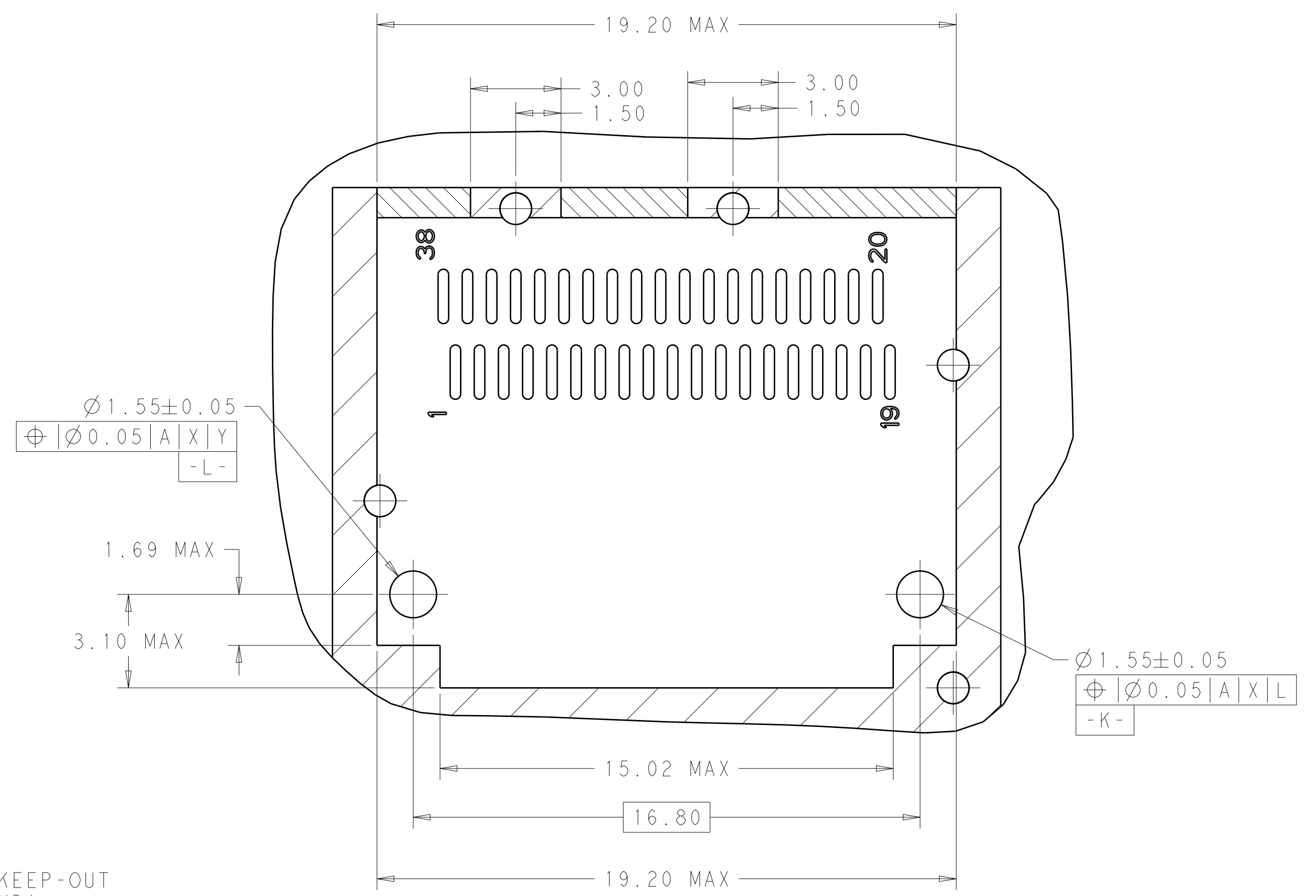
RECOMMENDED PCB LAYOUT  
 SINGLE TYPE OF 2 REAR HOLES OF LEGS  
 PCB TOLERANCE: ±0.05  
 SCALE 6:1



RECOMMENDED PCB LAYOUT  
 SINGLE TYPE OF 1 REAR HOLES OF LEGS  
 PCB TOLERANCE: ±0.05  
 SCALE 6:1



RECOMMENDED PCB LAYOUT  
 SINGLE TYPE OF 0 REAR HOLES OF LEGS  
 PCB TOLERANCE: ±0.05  
 SCALE 6:1

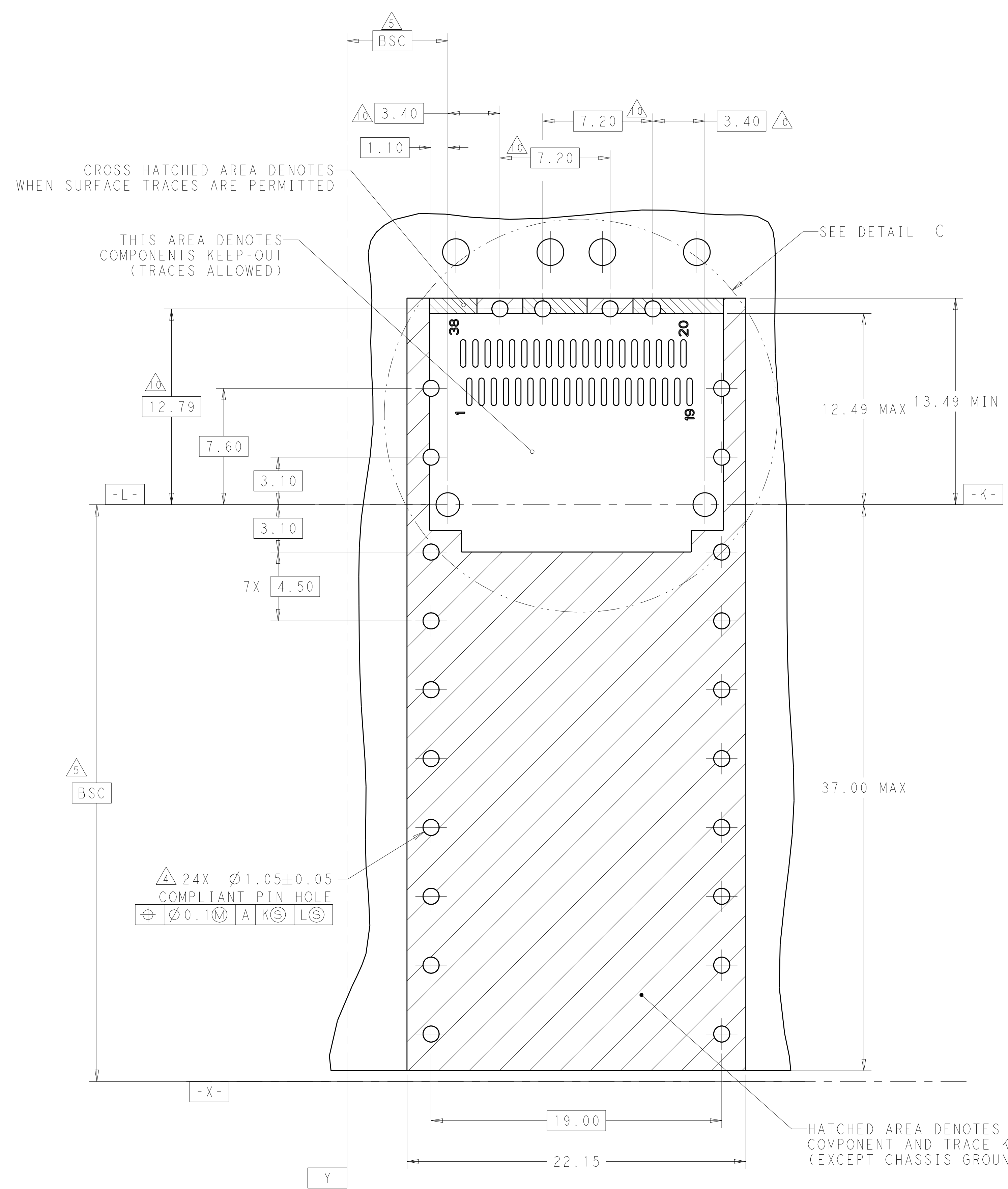


DETAIL B  
 SCALE 8:1

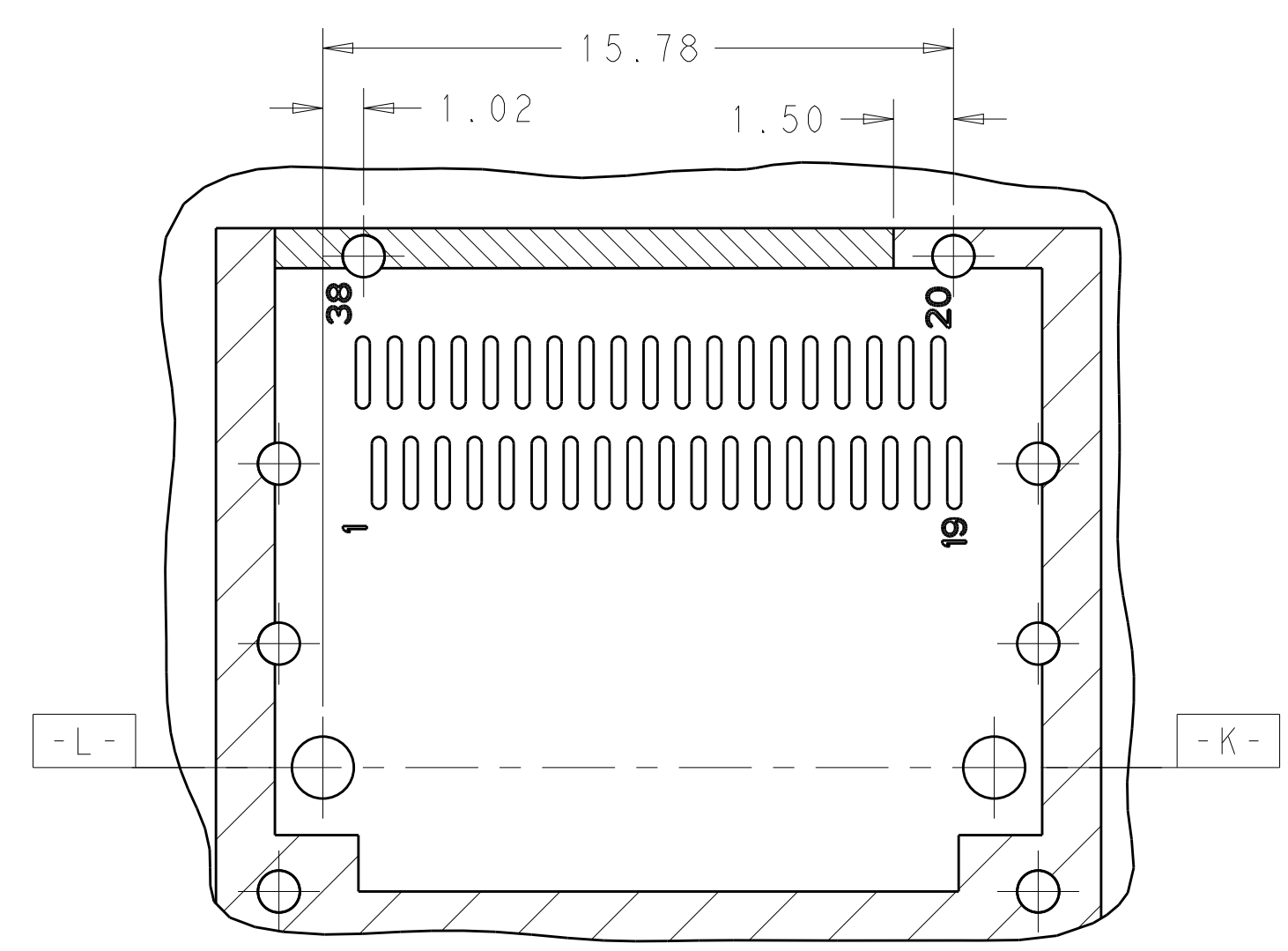
HATCHED AREA DENOTES  
 COMPONENT AND TRACE KEEP-OUT  
 (EXCEPT CHASSIS GROUND)

THIS DRAWING IS A CONTROLLED DOCUMENT.		DWN: JASON YANG 23SEP2013	TE Connectivity
DIMENSIONS: mm		CHK: SEAN HAN 23SEP2013	
TOLERANCES UNLESS OTHERWISE SPECIFIED:		APVD: SEAN HAN 23SEP2013	NAME: CAGE ASSEMBLY, QSPF28, THRU BEZEL WITH EMI SPRING FINGER LIGHT PIPE
0 PLC ±0.25	1 PLC ±0.25	PRODUCT SPEC 108-19428	SIZE: A100779
2 PLC ±0.20	3 PLC ±0.100	APPLICATION SPEC 114-32023	RESTRICTED TO: -
4 PLC ±0.100	ANGLES ±°	WEIGHT: -	SCALE: 2:1
MATERIAL: -	FINISH: -	CUSTOMER DRAWING	SHEET 5 OF 7
REV A		REV A	

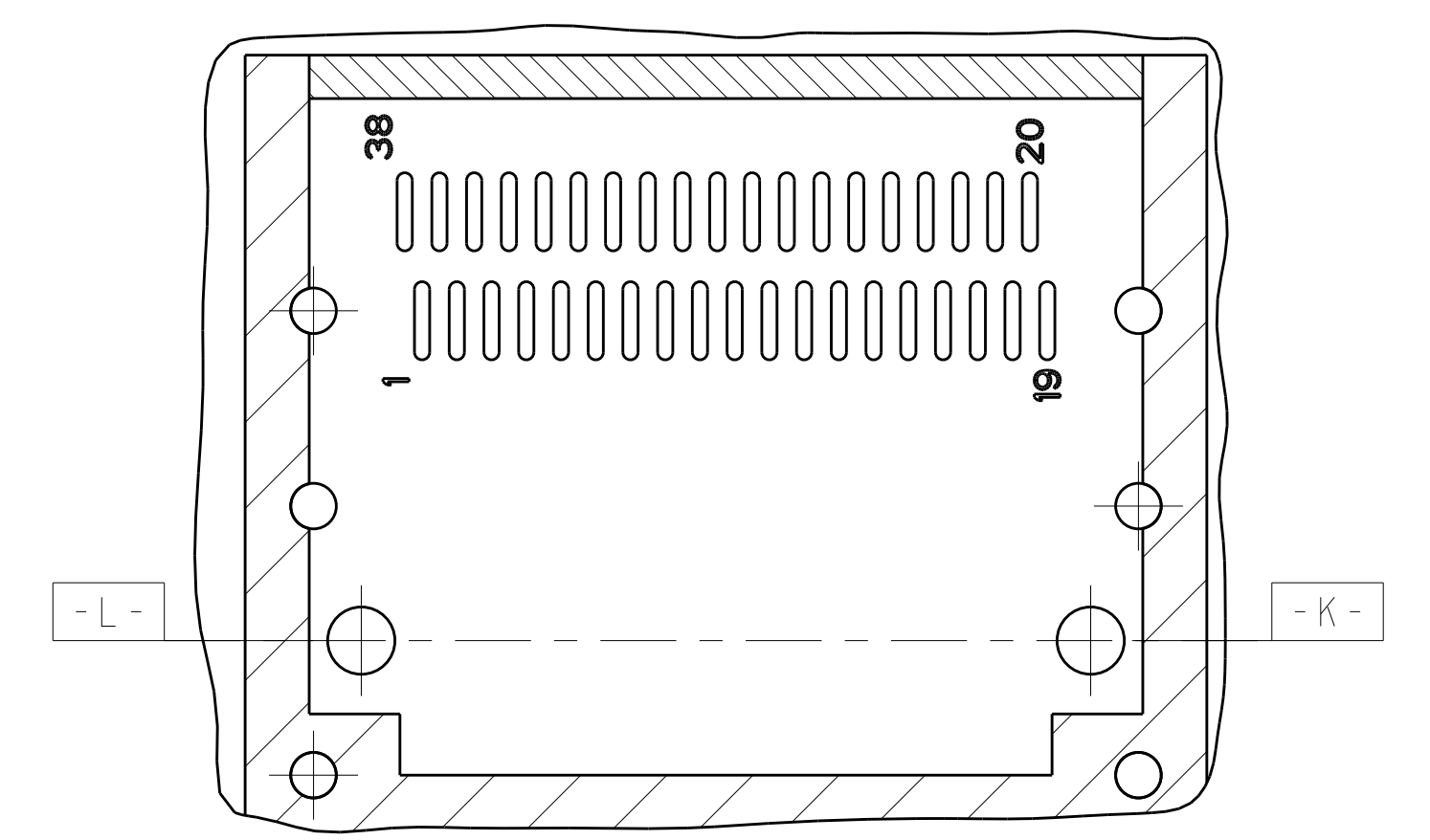
REVISIONS				
P.	LTN.	DESCRIPTION	DATE	APVD.
-	-	SEE SHEET 1	-	-



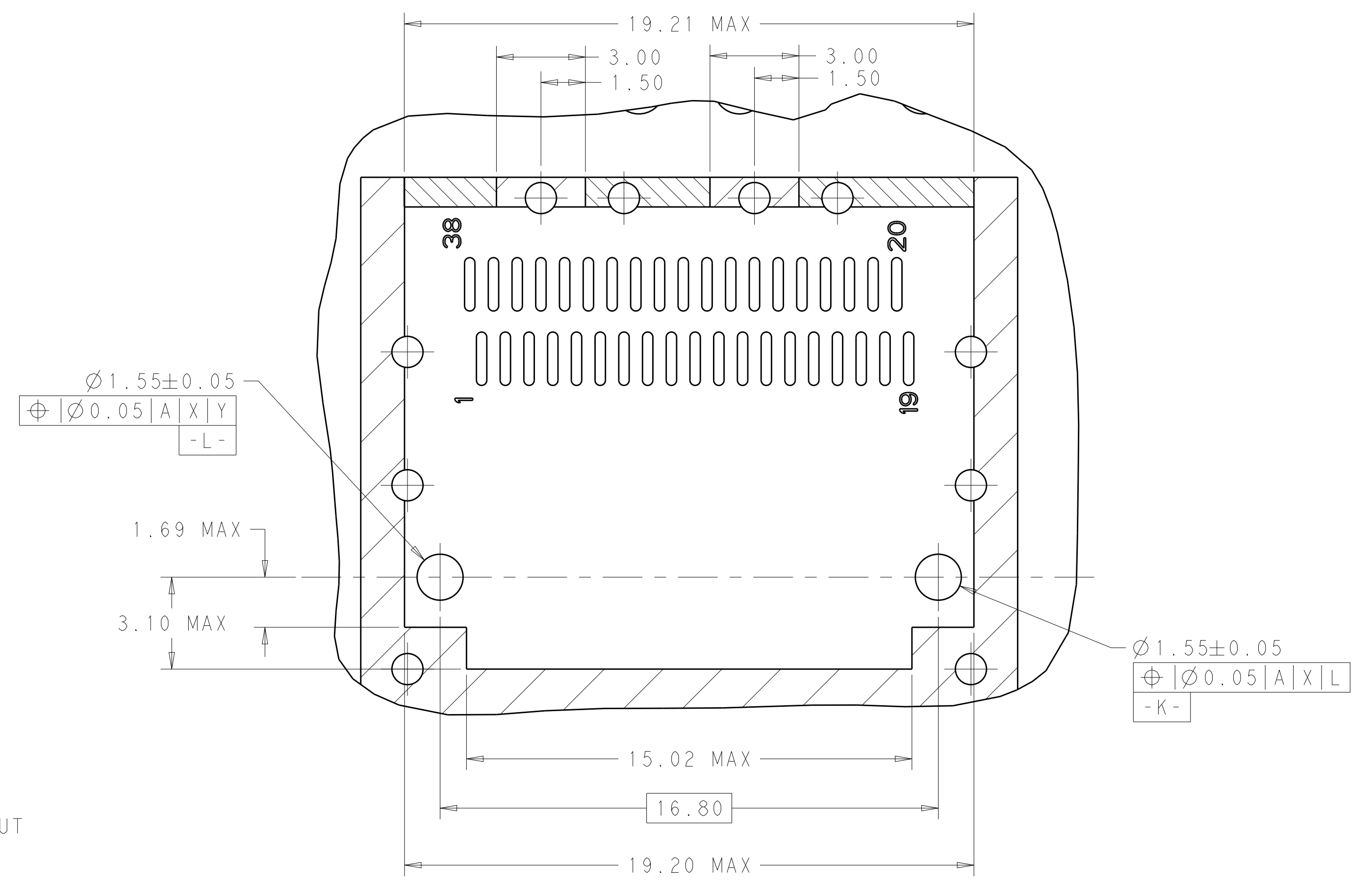
RECOMMENDED PCB LAYOUT  
BELLY TO BELLY TYPE OF 2 REAR HOLES OF LEGS  
PCB TOLERANCE: ±0.05  
SCALE 6:1



RECOMMENDED PCB LAYOUT  
BELLY TO BELLY TYPE OF 1 REAR HOLES OF LEGS  
PCB TOLERANCE: ±0.05  
SCALE 6:1



RECOMMENDED PCB LAYOUT  
BELLY TO BELLY TYPE OF 0 REAR HOLES OF LEGS  
PCB TOLERANCE: ±0.05  
SCALE 6:1



DETAIL C  
SCALE 8:1

THIS DRAWING IS A CONTROLLED DOCUMENT.		OWN: JASON YANG 23SEP2013	TE Connectivity
DIMENSIONS: mm		CHK: SEAN HAN 23SEP2013	
TOLERANCES UNLESS OTHERWISE SPECIFIED:		APVD: 23SEP2013	NAME: CAGE ASSEMBLY, QSPF28, THRU BEZEL WITH EMI SPRING FINGER LIGHT PIPE
0 PLC ±0.25	1 PLC ±0.25	PRODUCT SPEC 108-19428	SIZE: A100779C=2170773
2 PLC ±0.20	3 PLC ±0.100	APPLICATION SPEC 114-32023	RESTRICTED TO
4 PLC ±	ANGLES ±	WEIGHT	SCALE 2:1 SHEET 6 OF 7 REV A
MATERIAL	FINISH	CUSTOMER DRAWING	