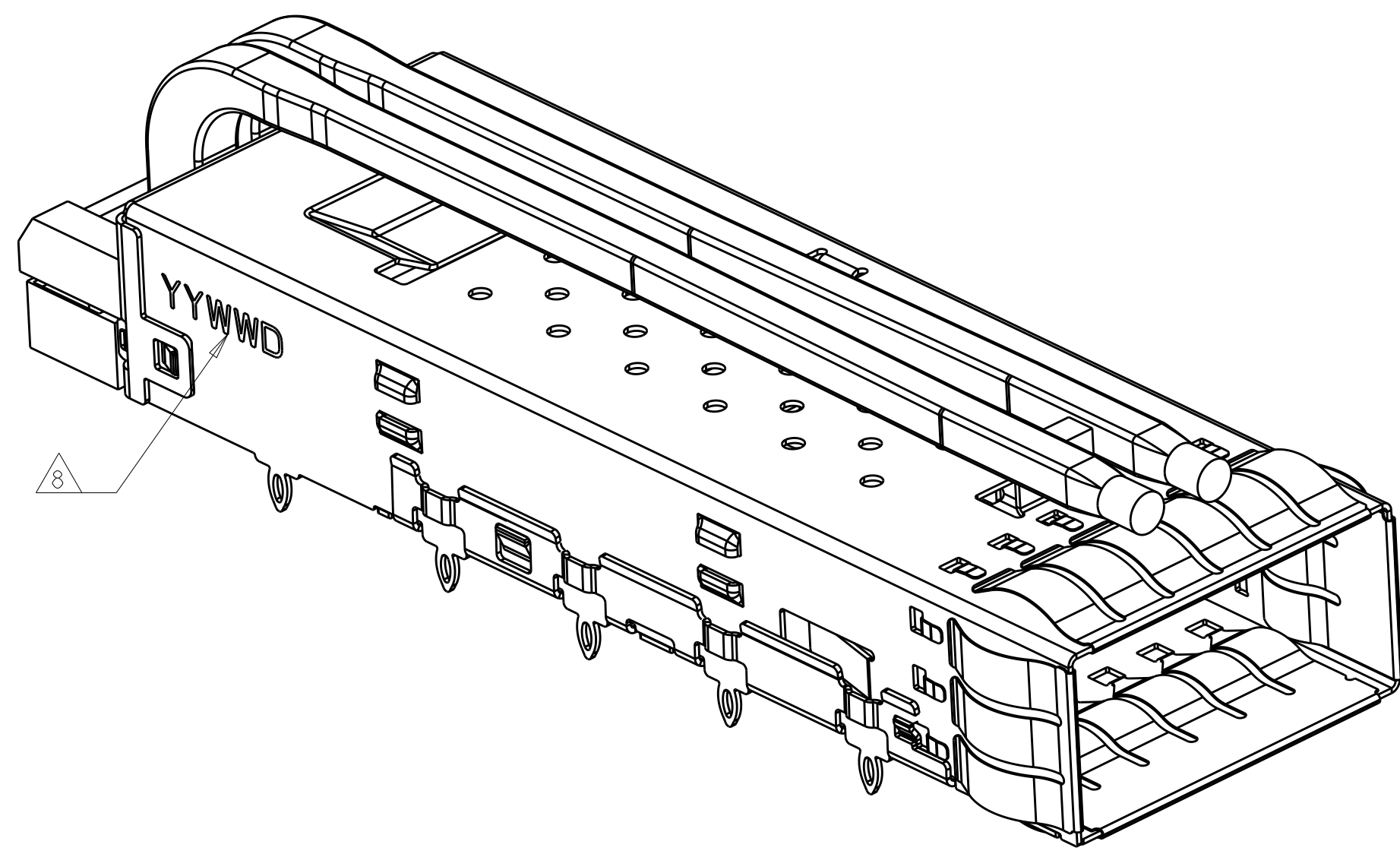
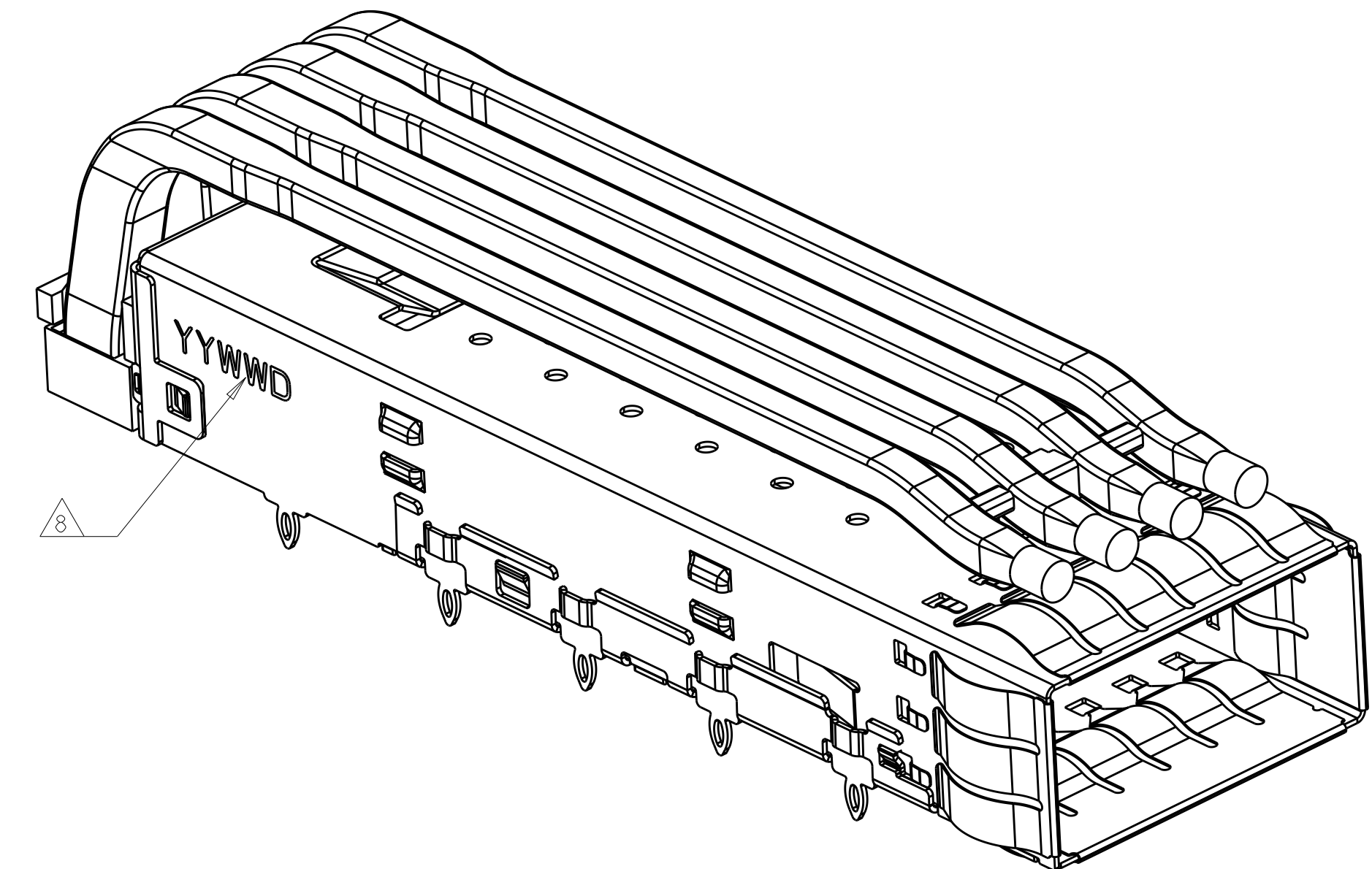


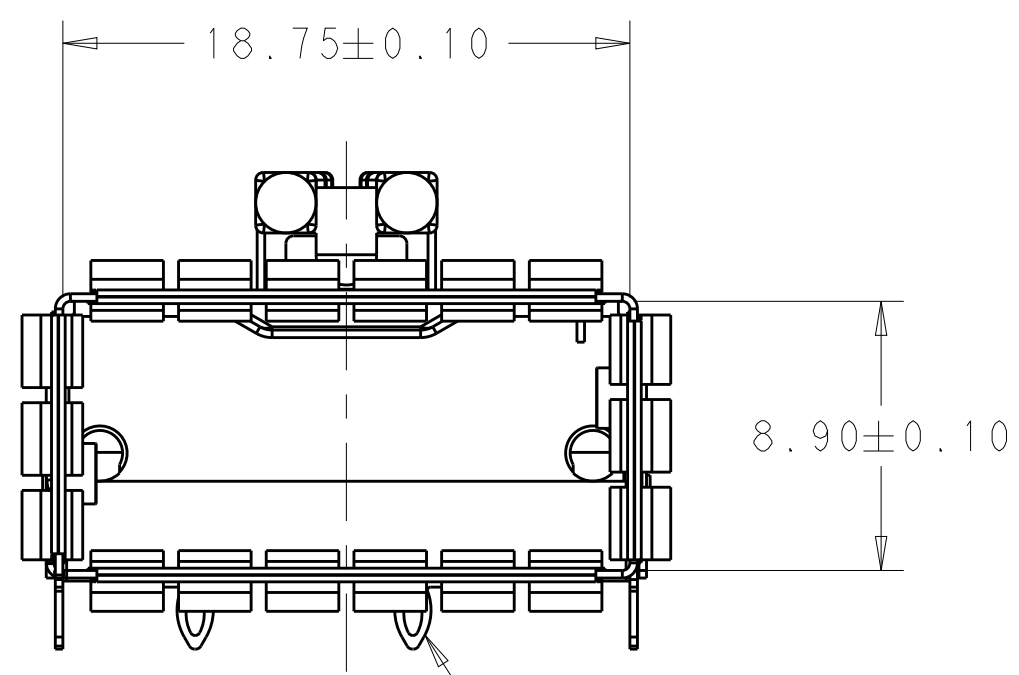
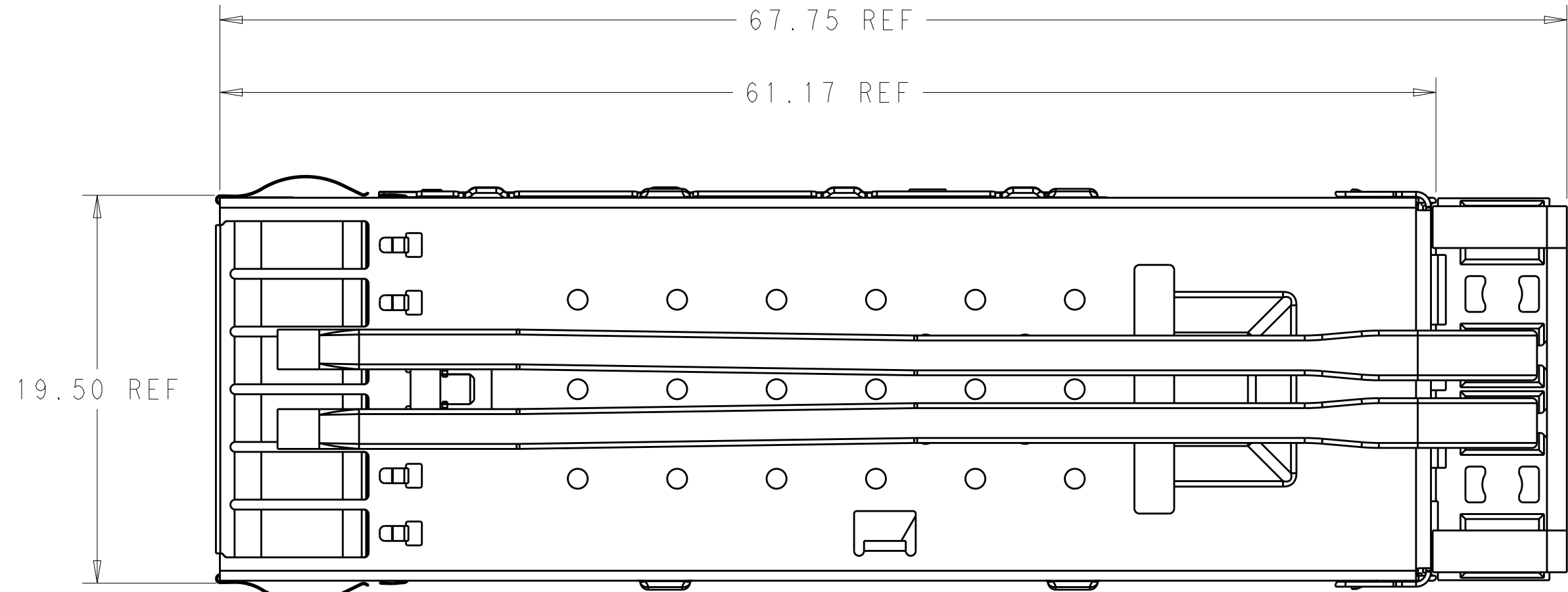
REVISIONS				
P.	LTN	DESCRIPTION	DATE	DWN - APVD
A		RELEASE	03NOV2016	JY SH



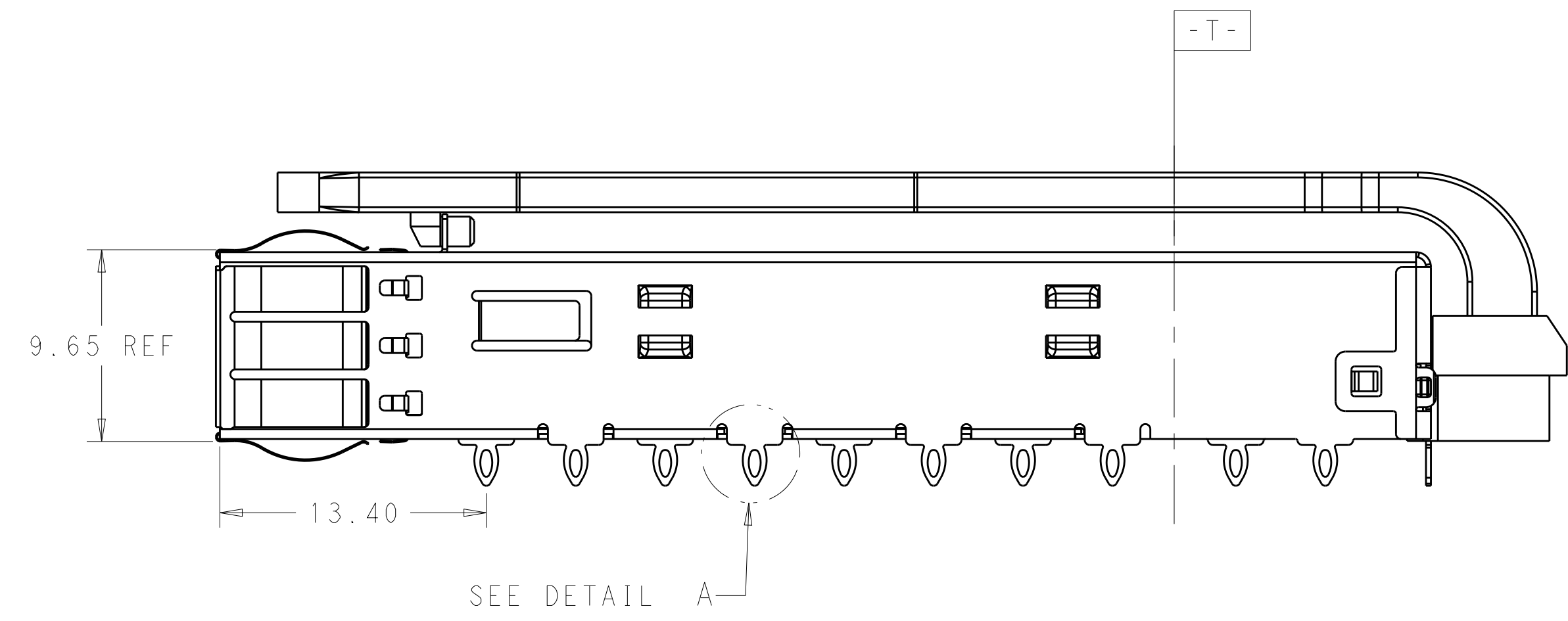
2170773-1 AS SHOWN
SCALE 4:1



2170773-4 AS SHOWN
SCALE 4:1

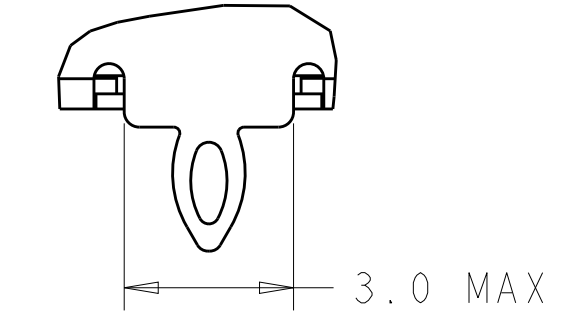


REAR PINS OPTION



SEE DETAIL A

- MATERIAL:
CAGE MATERIAL : 0.25 THICK NICKEL SILVER.
SPRING MATERIAL: COPPER ALLOY
LIGHT PIPE MATERIAL: POLYCARBONATE WITH 94 V-0
ORGANIZER MATERIAL: POLYESTER WITH 94 V-0
- FINISH:
SPRING: NICKEL PLATING
- DIMENSION APPLIES WITH MODULE INSTALLED IN THE CAGE TO TOP OF HEAT SINK.
- REFERENCE APPLICATION SPEC 114-32023 FOR RECOMMENDED DRILL HOLE DIAMETER AND PLATING THICKNESS.
- DATUM AND BASIC DIMENSIONS ESTABLISHED BY CUSTOMERS.
- MINIMUM PC BOARD THICKNESS : SINGLE SIDED: 1.57 MIN
DOUBLE SIDED: 2.20 MIN
- DATUM **-A-** IS TOP SURFACE OF THE HOST BOARD.
- DATE CODE (YYWWD) MARKED APPROXIMATELY AS SHOWN
- MATES WITH QSFP28 MSA COMPATIBLE TRANSCEIVER.
- THESE HOLES ARE OPTIONAL WHEN THE REAR PINS ARE REMOVED.



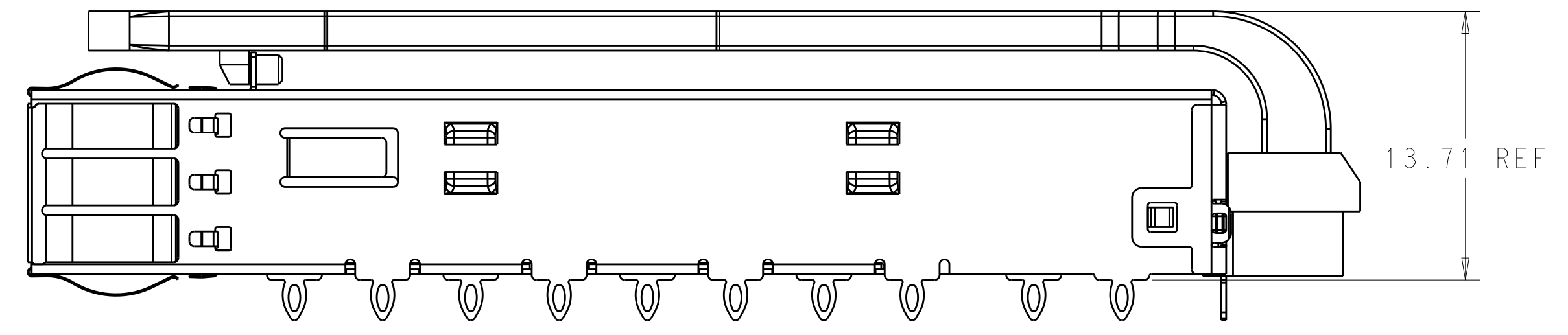
DETAIL A
SCALE 8:1

SINGLE	0	2170773-7
QUAD	0	2170773-6
QUAD	1	2170773-5
QUAD	2	2170773-4
DUAL	0	2170773-3
DUAL	1	2170773-2
DUAL	2	2170773-1
LIGHT PIPE OPTION	# OF REAR PINS OPTION	PART NUMBER

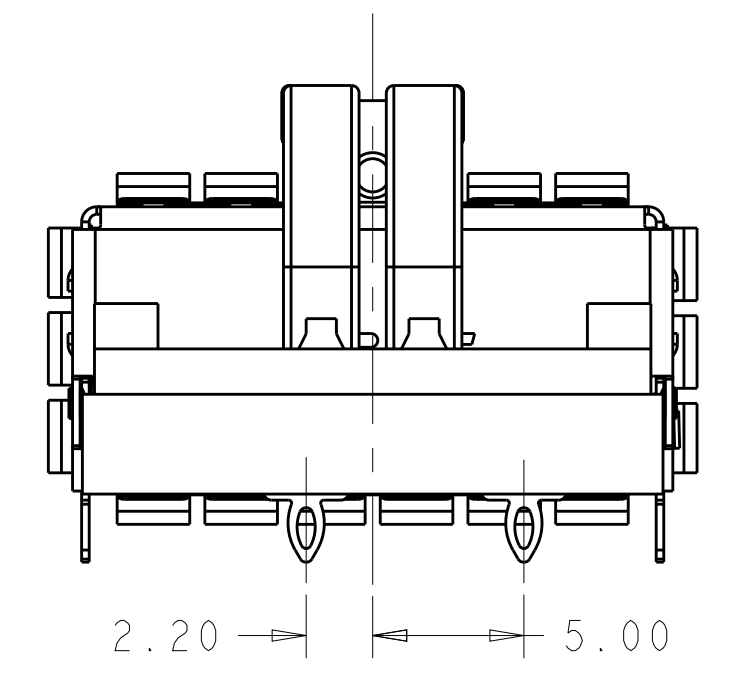
THIS DRAWING IS A CONTROLLED DOCUMENT.		DWN: JASON YANG 23SEP2013	TE Connectivity
DIMENSIONS: mm		CHK: SEAN HAN 23SEP2013	
TOLERANCES UNLESS OTHERWISE SPECIFIED:		APVD: SEAN HAN 23SEP2013	NAME: CAGE ASSEMBLY, QSFP28, THRU BEZEL WITH EMI SPRING FINGER LIGHT PIPE
0 PLC ±0.25	1 PLC ±0.25	PRODUCT SPEC 108-19428	SIZE: CAGE CODE DRAWING NO. RESTRICTED TO
2 PLC ±0.25	3 PLC ±0.25	APPLICATION SPEC 114-32023	A100779C=2170773
4 PLC ±0.100	ANGLES ±°	WEIGHT	CUSTOMER DRAWING
FINISH		SCALE 2:1	SHEET 1 OF 7 REV A

REVISIONS				
P. LTR.	DESCRIPTION	DATE	OWN	APVD
-	SEE SHEET 1	-	-	-

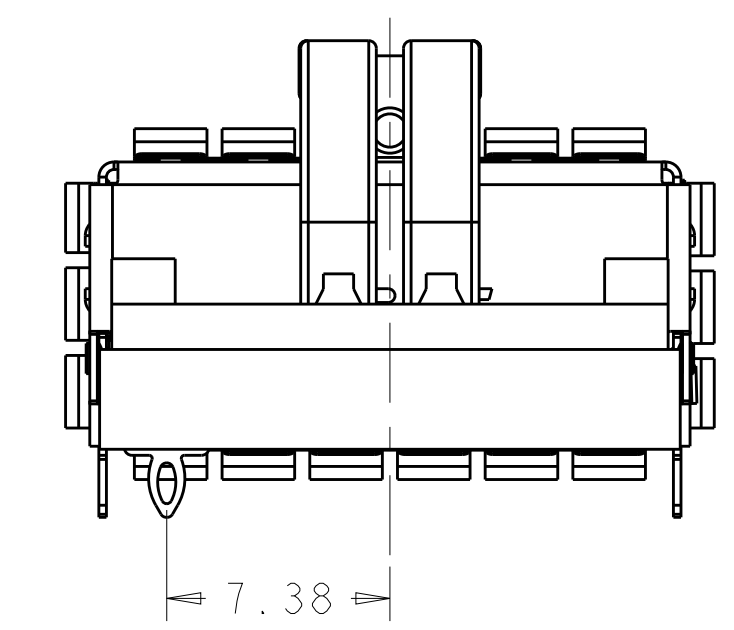
OF REAR LEGS OPTION



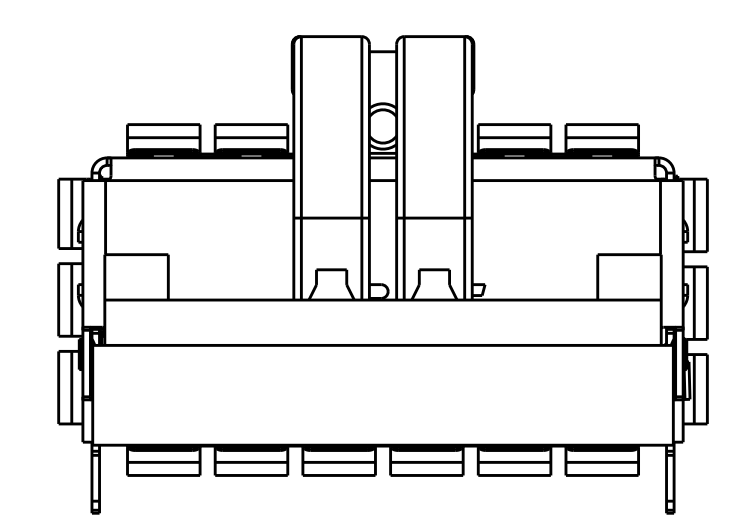
PN: 2170773-1/2/3



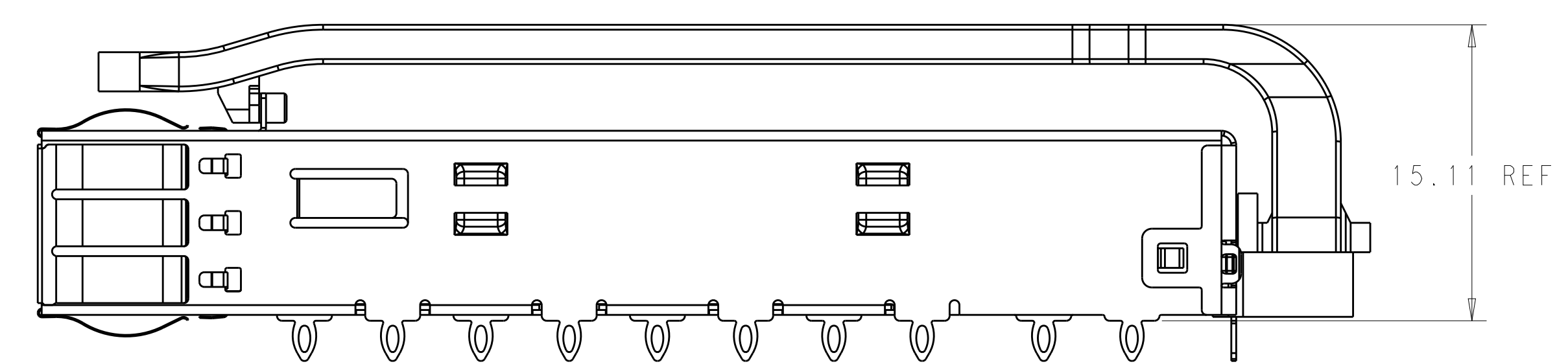
BACK VIEW OF 2170773-1
SCALE 4:1



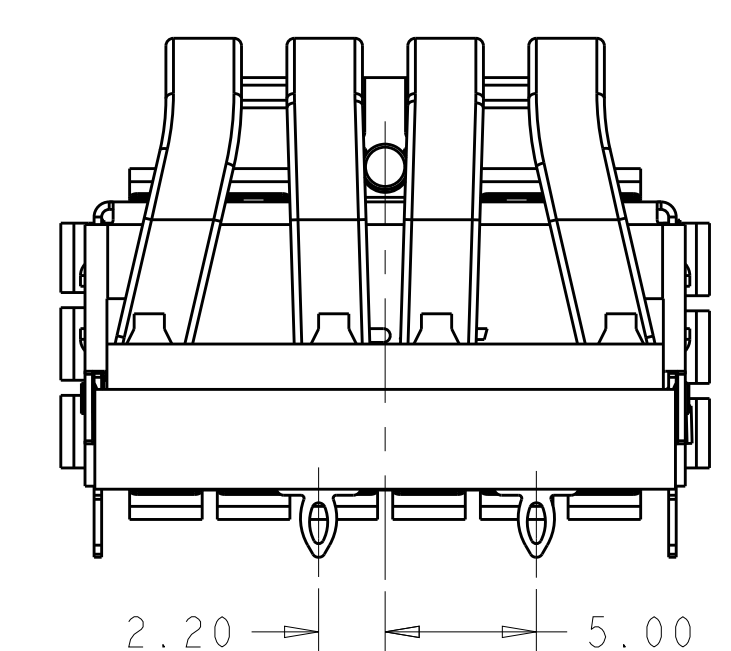
BACK VIEW OF 2170773-2
SCALE 4:1



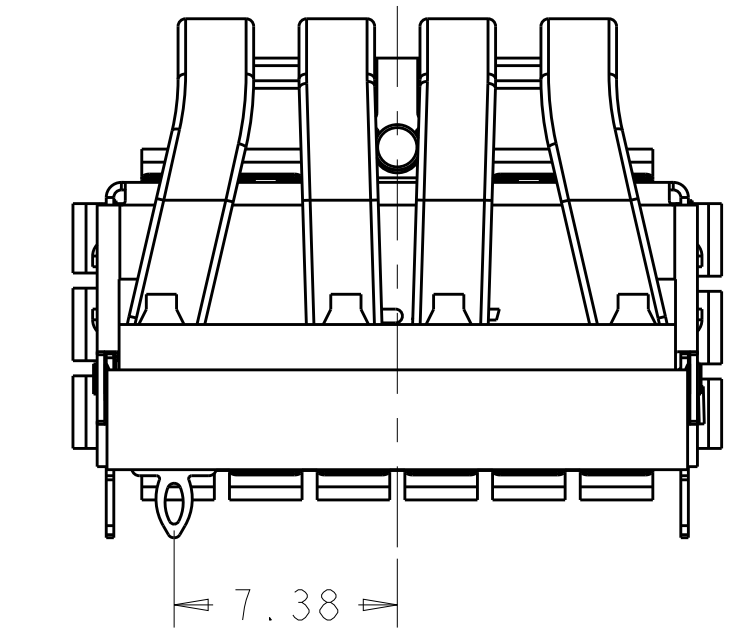
BACK VIEW OF 2170773-3
SCALE 4:1



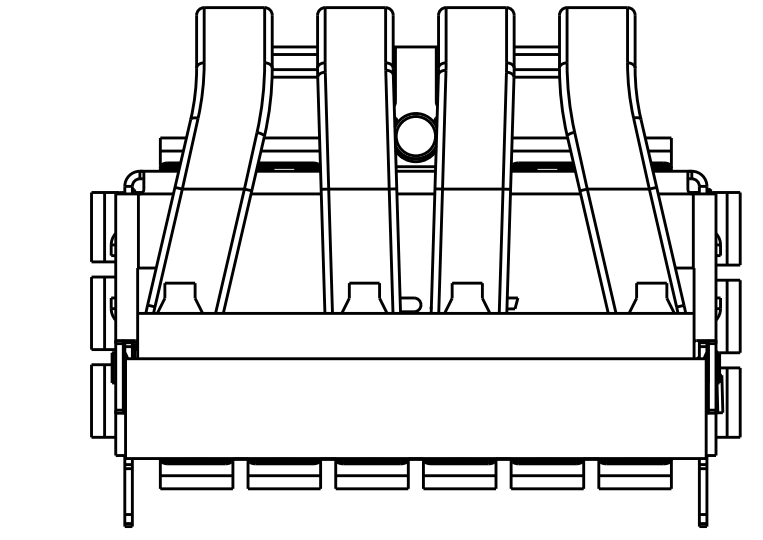
PN: 2170773-4/5/6



BACK VIEW OF 2170773-4
SCALE 4:1



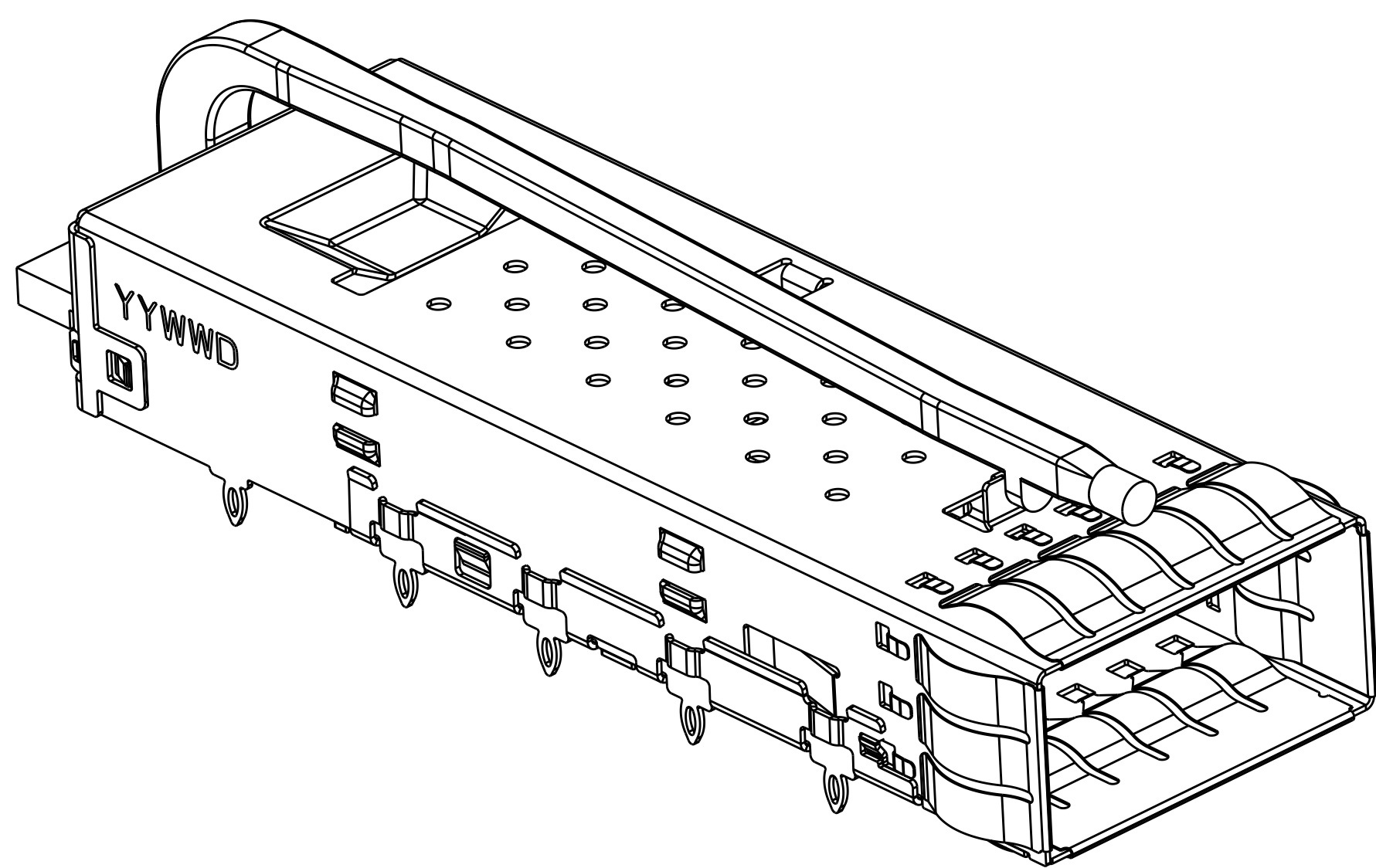
BACK VIEW OF 2170773-5
SCALE 4:1



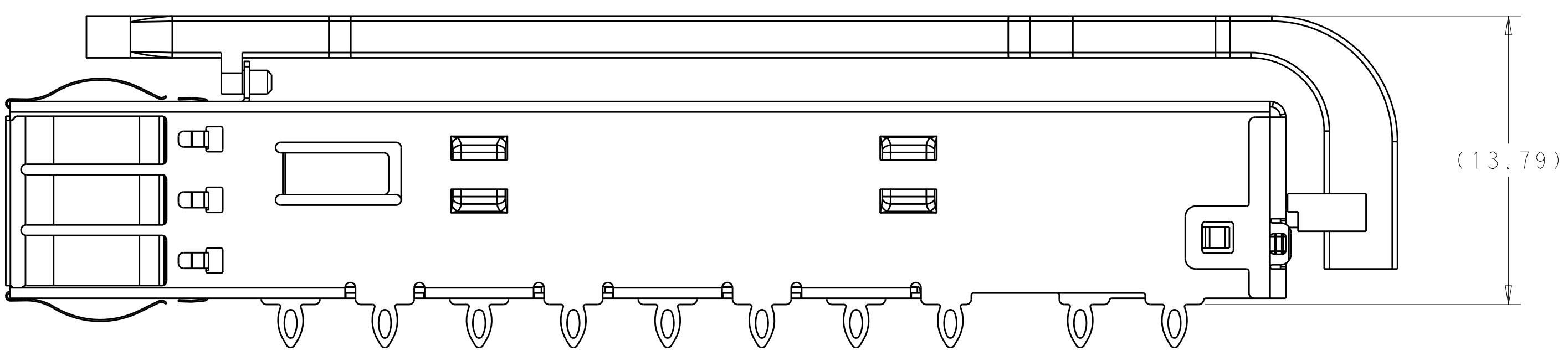
BACK VIEW OF 2170773-6
SCALE 4:1

THIS DRAWING IS A CONTROLLED DOCUMENT.		OWN: JASON YANG 23SEP2013	TE Connectivity
		CHK: SEAN HAN 23SEP2013	
DIMENSIONS:		APVD: SEAN HAN 23SEP2013	NAME: CAGE ASSEMBLY, QSFP28, THRU BEZEL WITH EMI SPRING FINGER LIGHT PIPE PRODUCT SPEC: 108-19428 APPLICATION SPEC: 114-32023
TOLERANCES UNLESS OTHERWISE SPECIFIED: 0 PLC ±0.25 1 PLC ±0.25 2 PLC ±0.25 3 PLC ±0.100 4 PLC ± ANGLES ±°		SIZE: A1 CAGE CODE: 00779 DRAWING NO: C=2170773	
MATERIAL:		WEIGHT:	RESTRICTED TO:
		CUSTOMER DRAWING	SCALE: 2:1 SHEET 2 OF 7 REV A

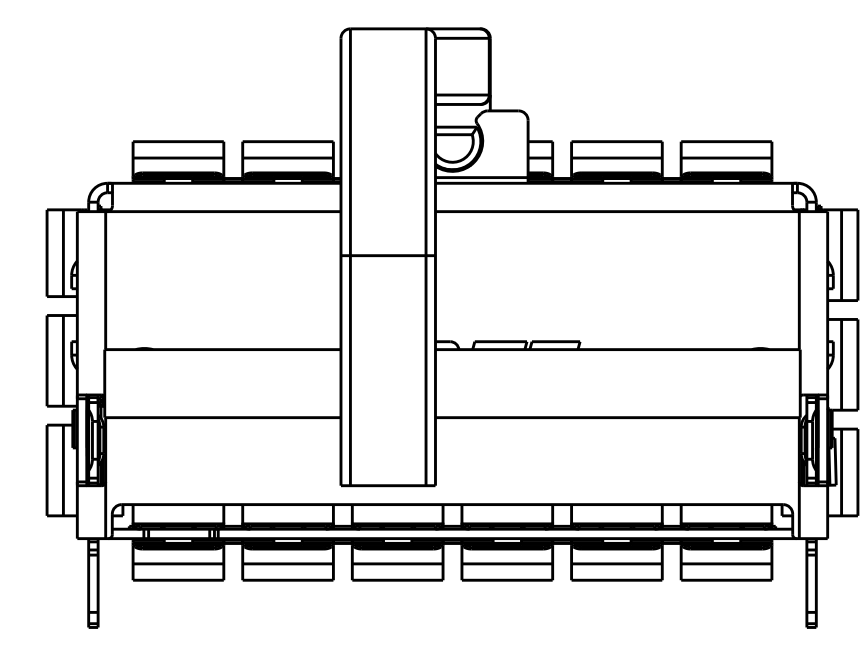
REVISIONS				
P.	LTN	DESCRIPTION	DATE	APVD
-	-	SEE SHEET 1	-	-



2170773-7 AS SHOWN
SCALE 4:1



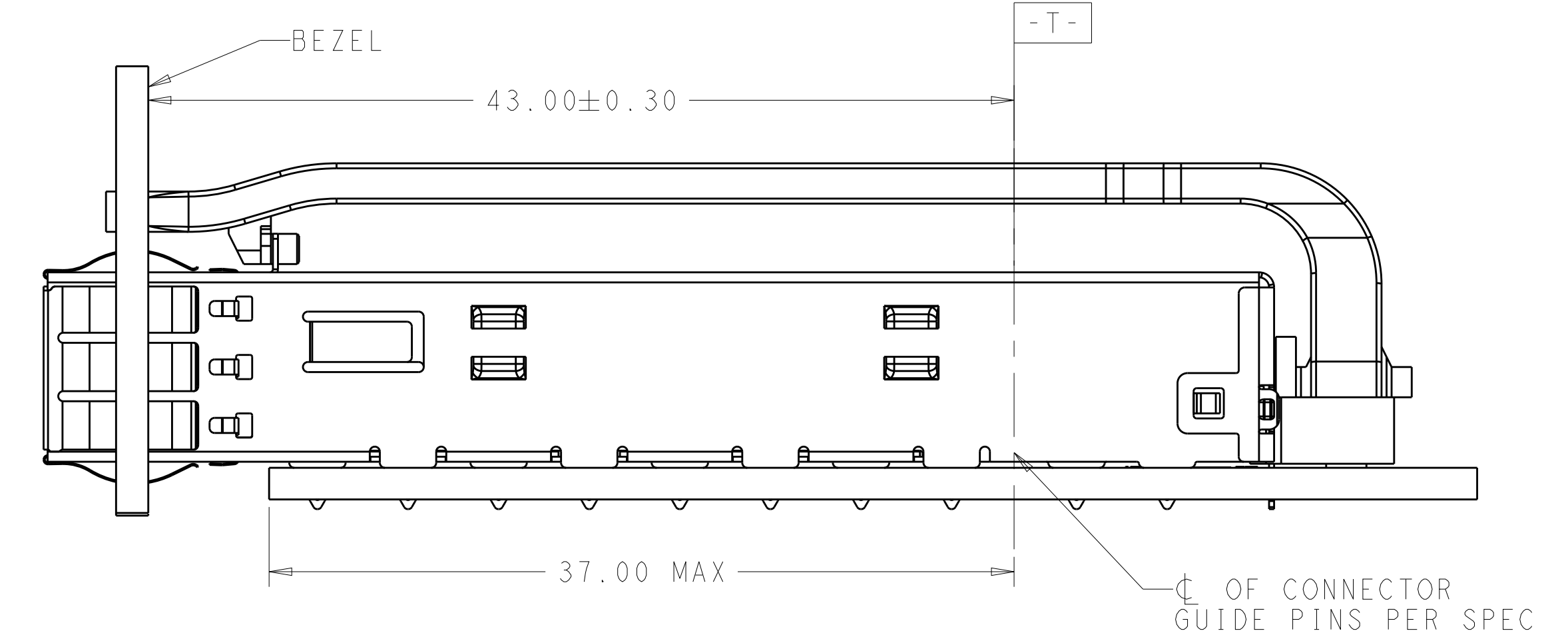
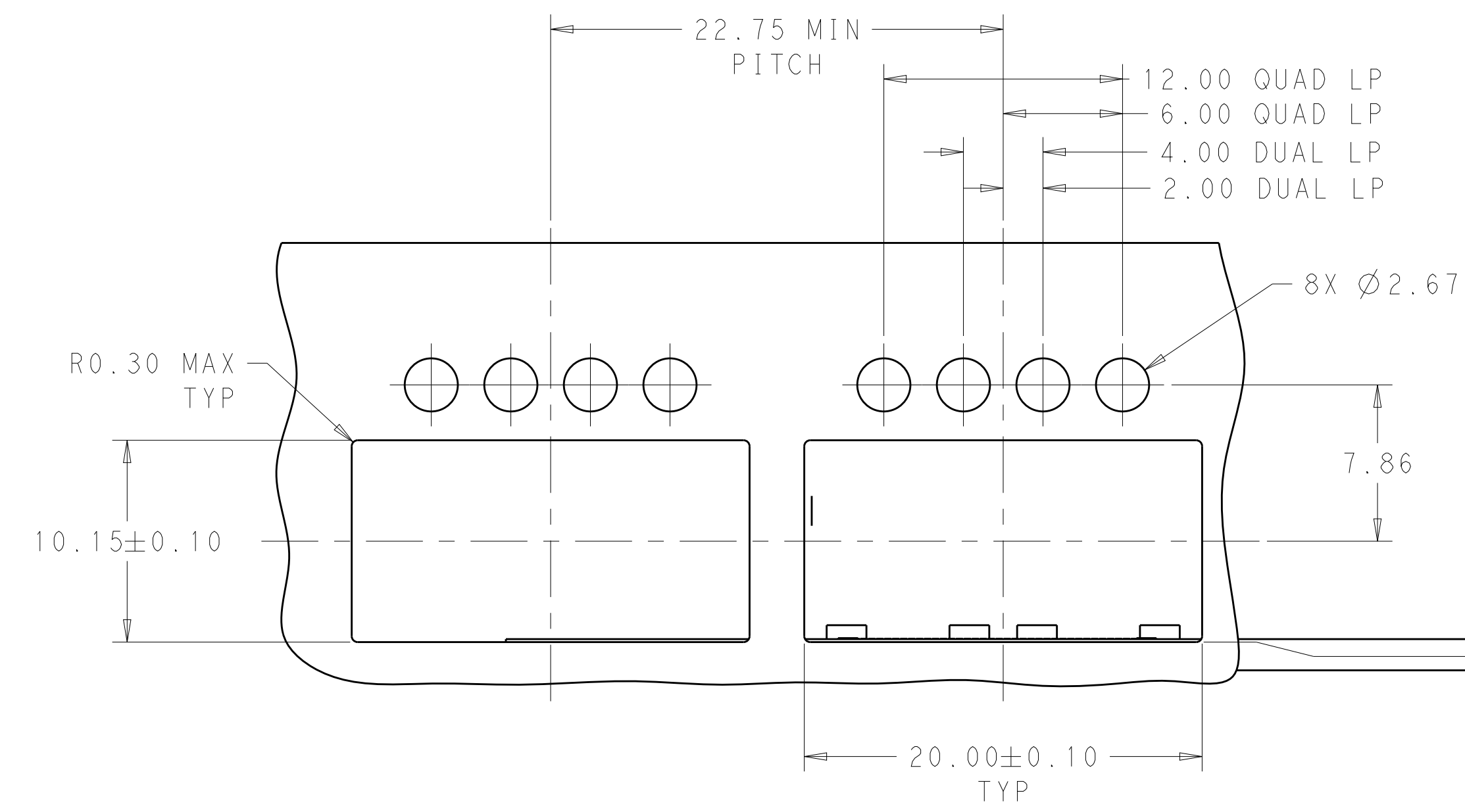
(13.79)



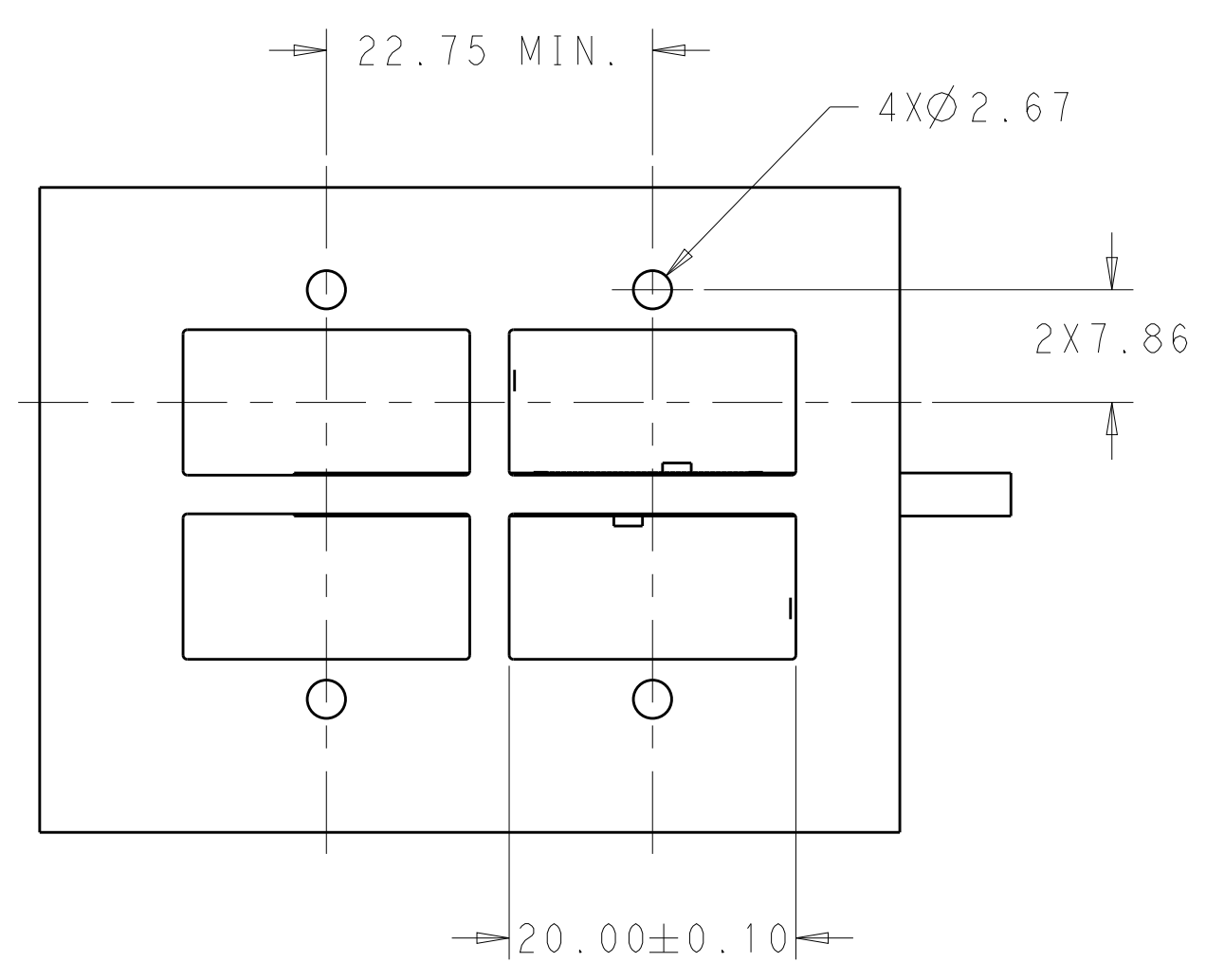
2170773-7 BACK VIEW
SCALE 5:1

THIS DRAWING IS A CONTROLLED DOCUMENT.		DWN: JASON YANG 23SEP2013	TE Connectivity
DIMENSIONS:		CHK: SEAN HAN 23SEP2013	
TOLERANCES UNLESS OTHERWISE SPECIFIED:		APVD: 23SEP2013	
mm	0 PLC ±0.25 1 PLC ±0.25 2 PLC ±0.20 3 PLC ±0.100 4 PLC ± ANGLES ±°	PRODUCT SPEC: 108-19428 APPLICATION SPEC: 114-32023 WEIGHT: -	NAME: CAGE ASSEMBLY, OSFP28, THRU BEZEL WITH EMI SPRING FINGER LIGHT PIPE
MATERIAL: -	FINISH: -	CUSTOMER DRAWING	SIZE: A100779C=2170773 RESTRICTED TO: -
SCALE: 2:1			SHEET 3 OF 7 REV A

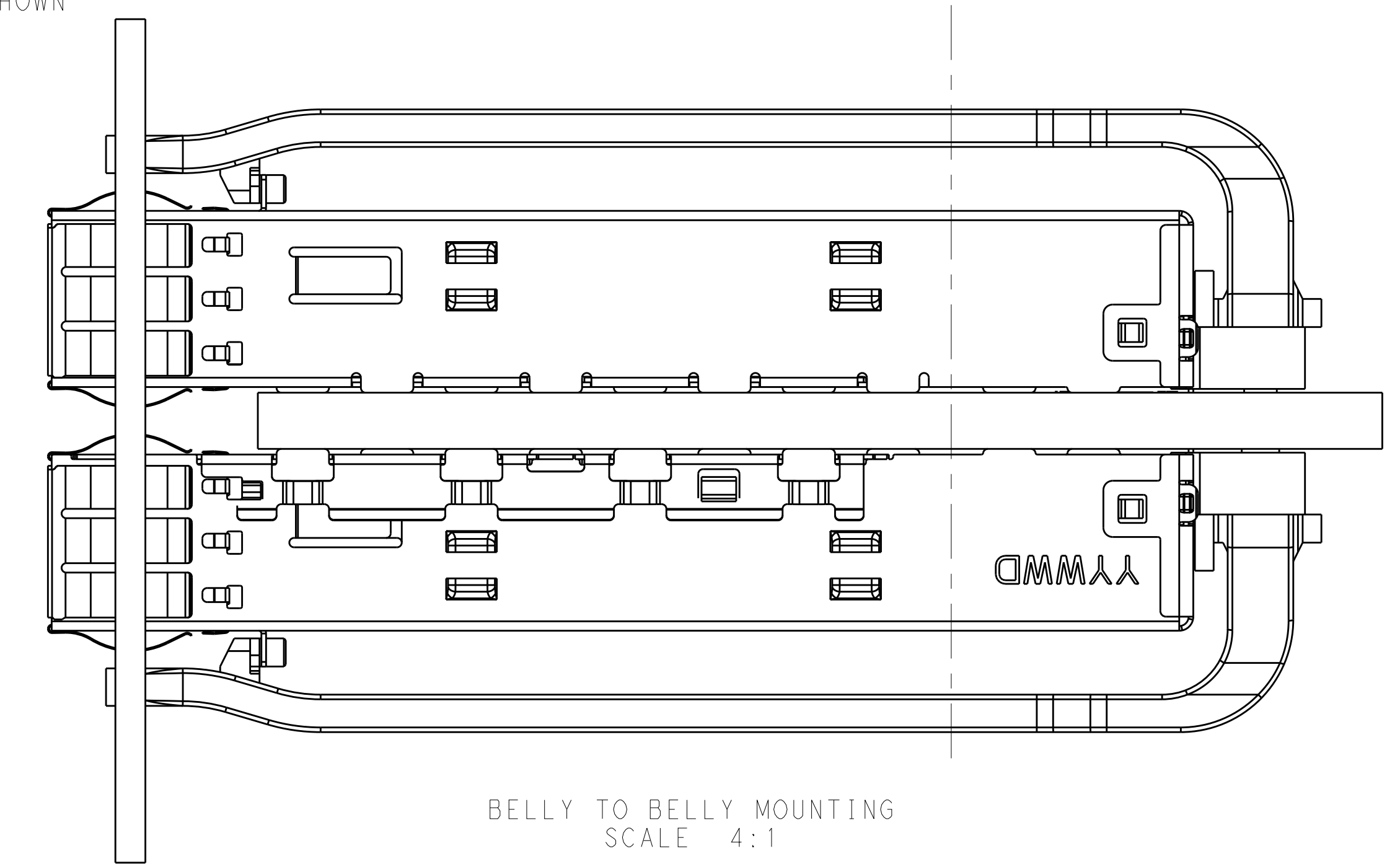
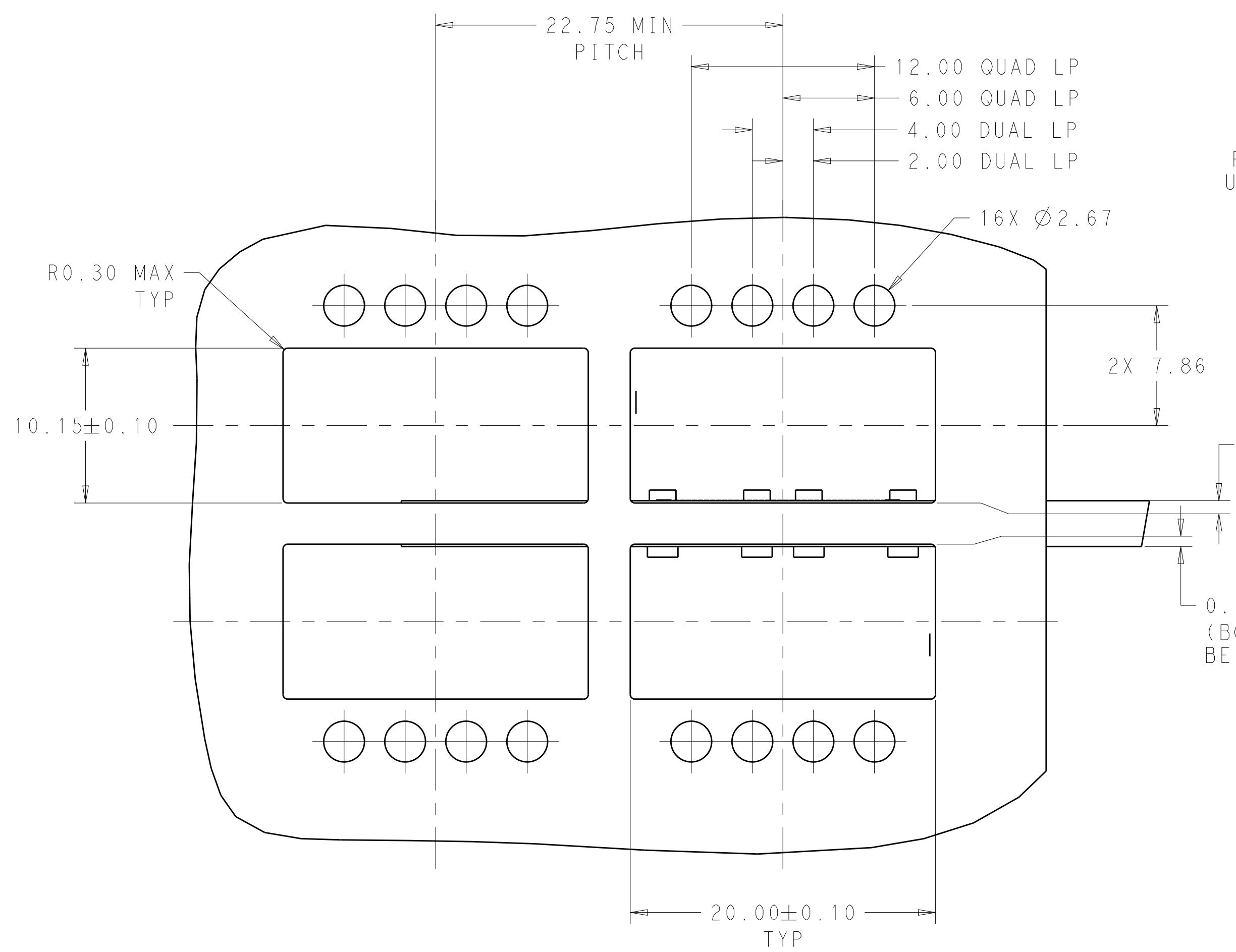
REVISIONS				
P. LTR	DESCRIPTION	DATE	OWN	APVD
-	SEE SHEET 1	-	-	-



SINGLE SIDE MOUNTING
SCALE 4:1



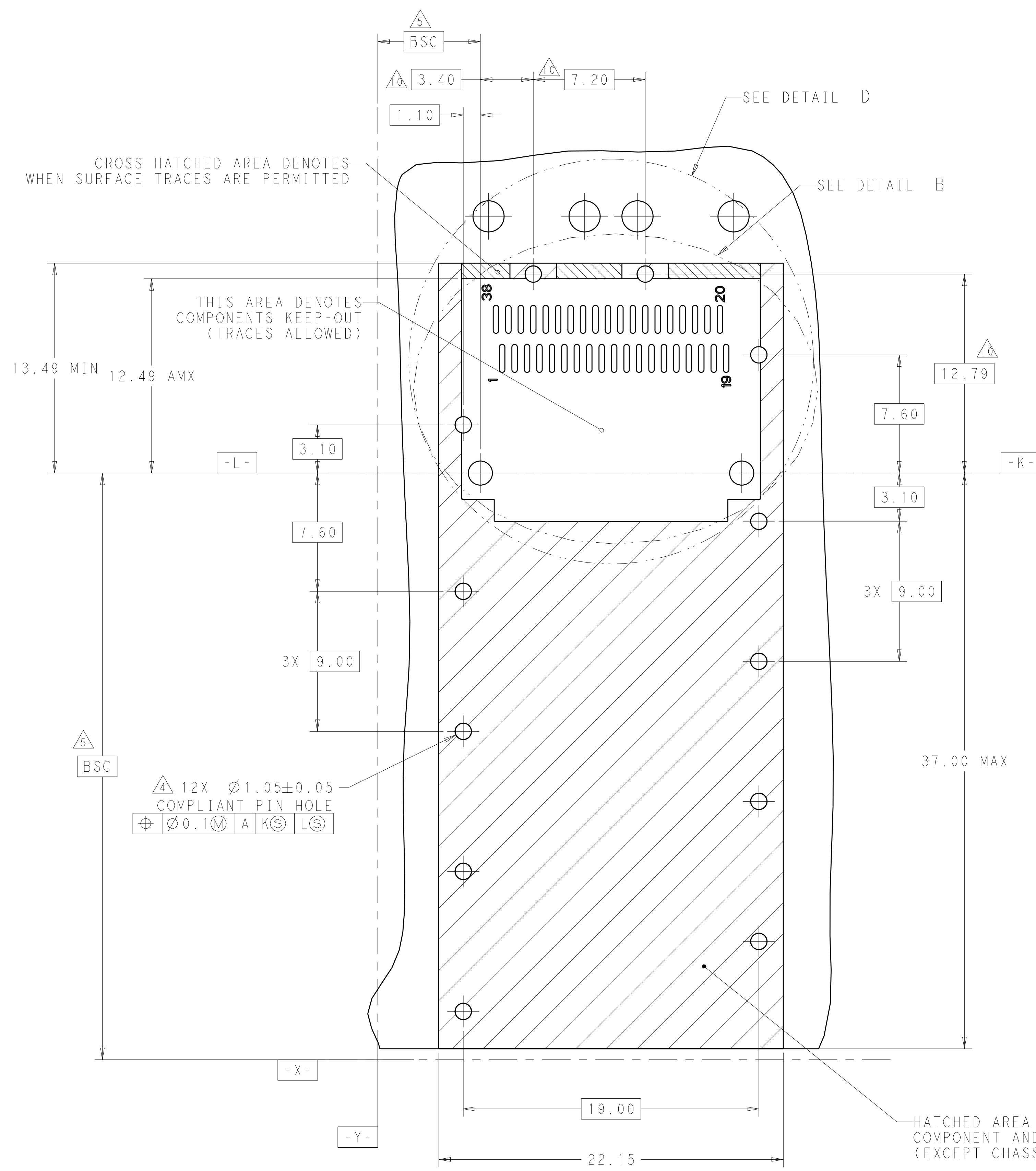
FOR SINGLE LP BELLY TO BELLY APPLICATION
UNDIMENSIONED SPEC SAME TO DUAL LP SHOWN
SCALE 2:1



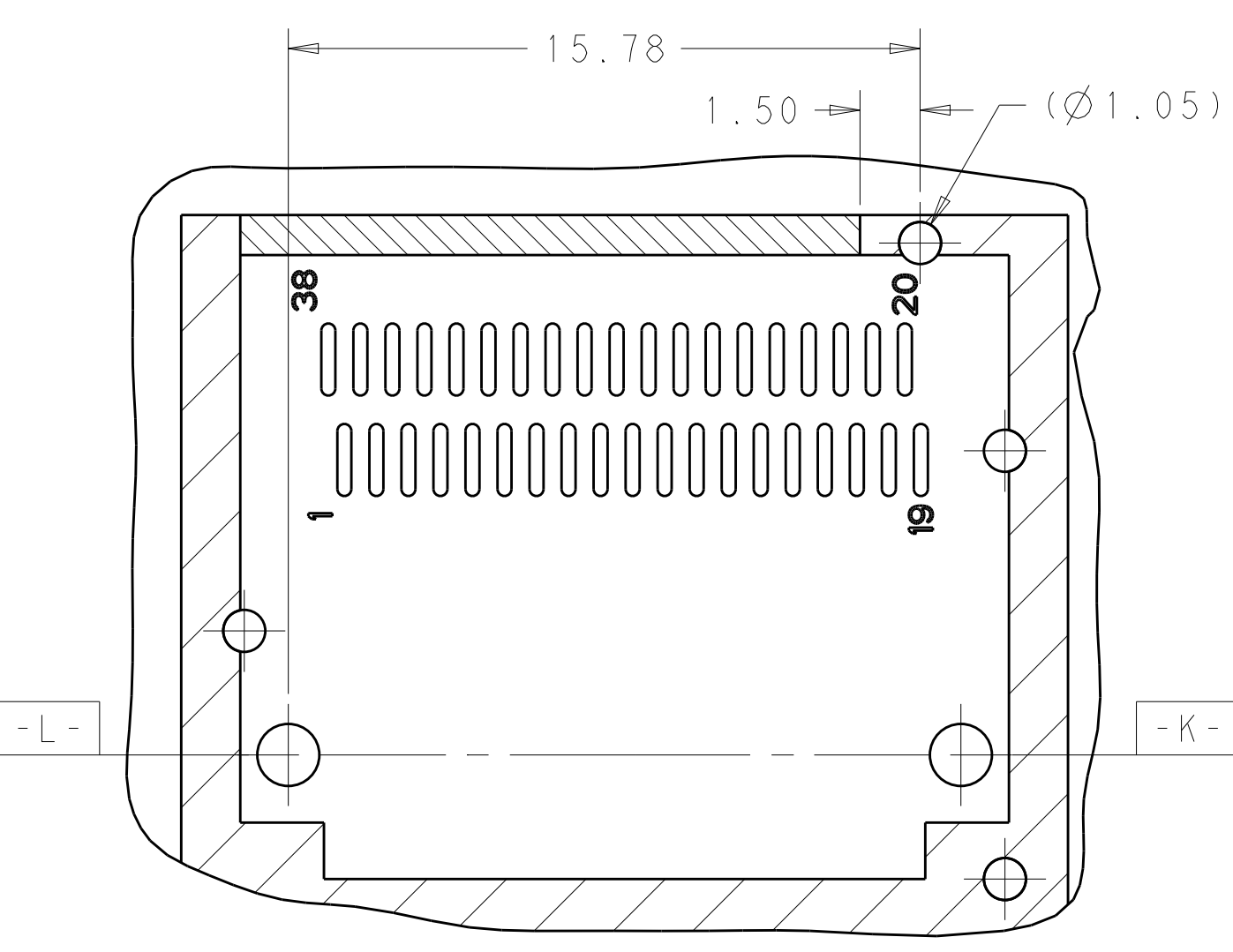
BELLY TO BELLY MOUNTING
SCALE 4:1

THIS DRAWING IS A CONTROLLED DOCUMENT.		OWN: JASON YANG 23SEP2013	TE Connectivity
DIMENSIONS: mm		CHK: SEAN HAN 23SEP2013	
TOLERANCES UNLESS OTHERWISE SPECIFIED:		APVD: SEAN HAN 23SEP2013	NAME: CAGE ASSEMBLY, OSFP28, THRU BEZEL WITH EMI SPRING FINGER LIGHT PIPE
0 PLC	±0.25	PRODUCT SPEC	108-19428
1 PLC	±0.25	APPLICATION SPEC	114-32023
2 PLC	±0.25	SIZE	A100779
3 PLC	±0.25	CAGE CODE	C=2170773
4 PLC	±0.100	WEIGHT	-
ANGLES	±°	CUSTOMER DRAWING	SCALE 2:1 SHEET 4 OF 7 REV A
MATERIAL	-		
FINISH	-		

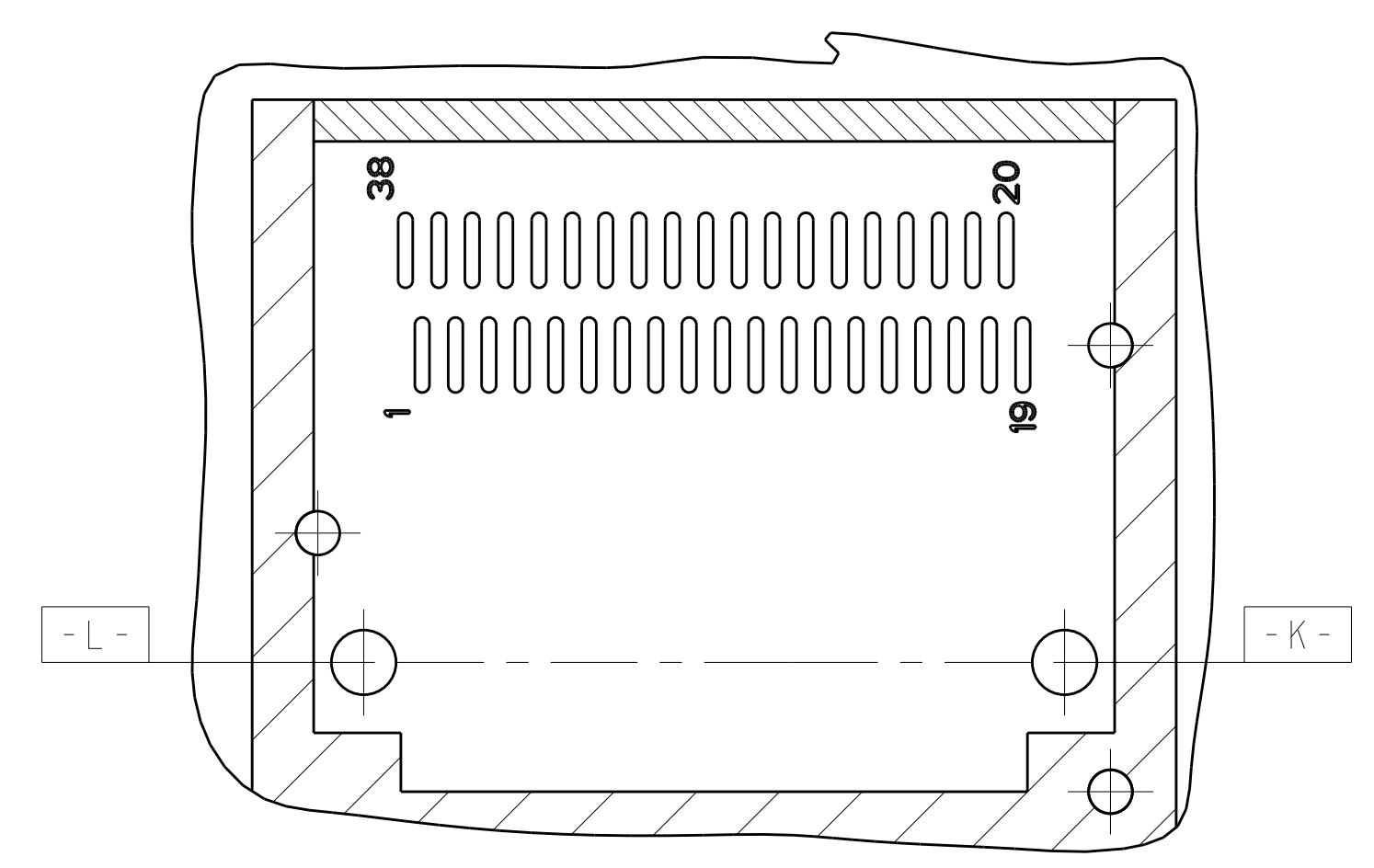
REVISIONS				
P.	LTN	DESCRIPTION	DATE	APVD
-	SEE SHEET 1			



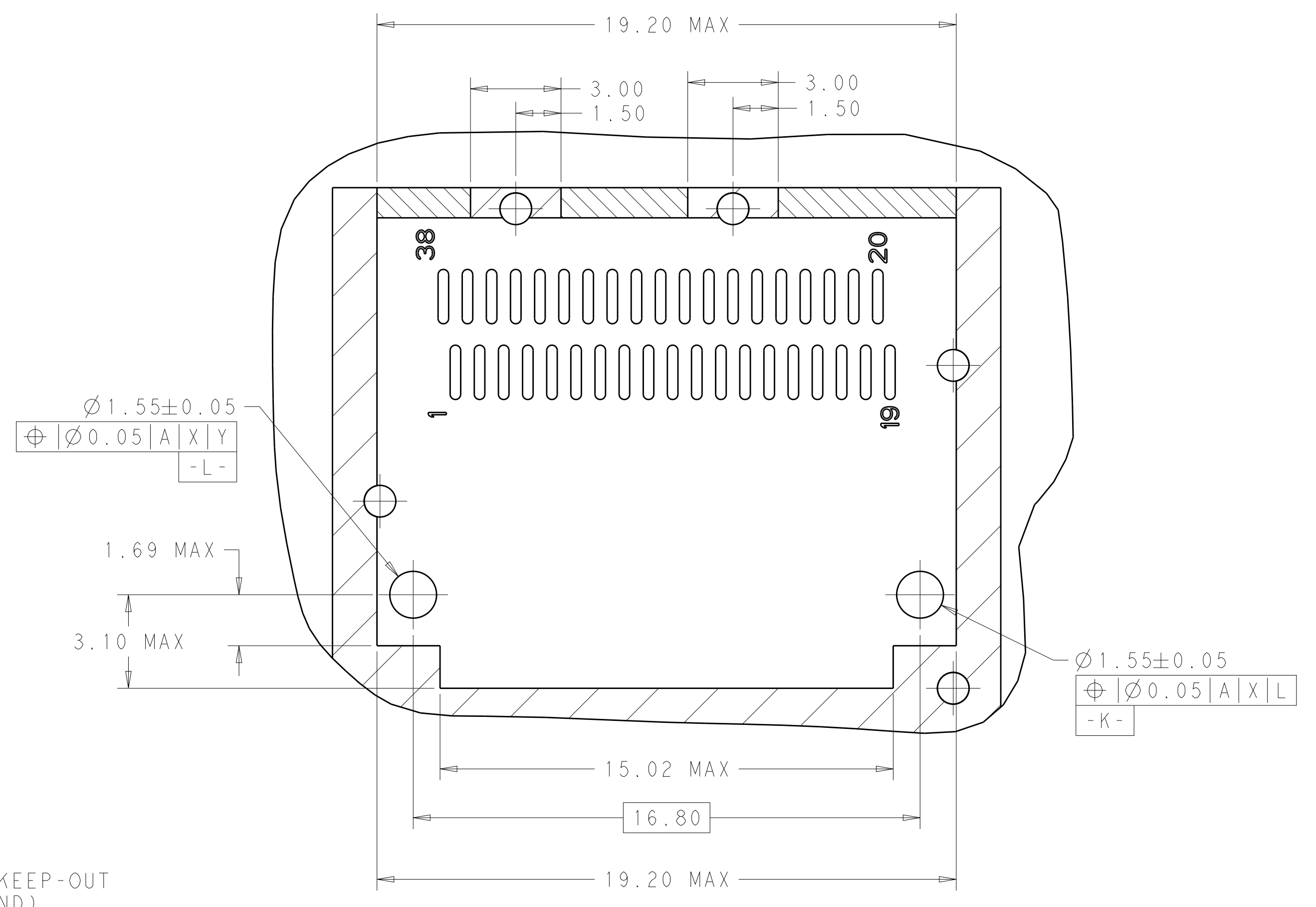
RECOMMENDED PCB LAYOUT
 SINGLE TYPE OF 2 REAR HOLES OF LEGS
 PCB TOLERANCE: ±0.05
 SCALE 6:1



RECOMMENDED PCB LAYOUT
 SINGLE TYPE OF 1 REAR HOLES OF LEGS
 PCB TOLERANCE: ±0.05
 SCALE 6:1



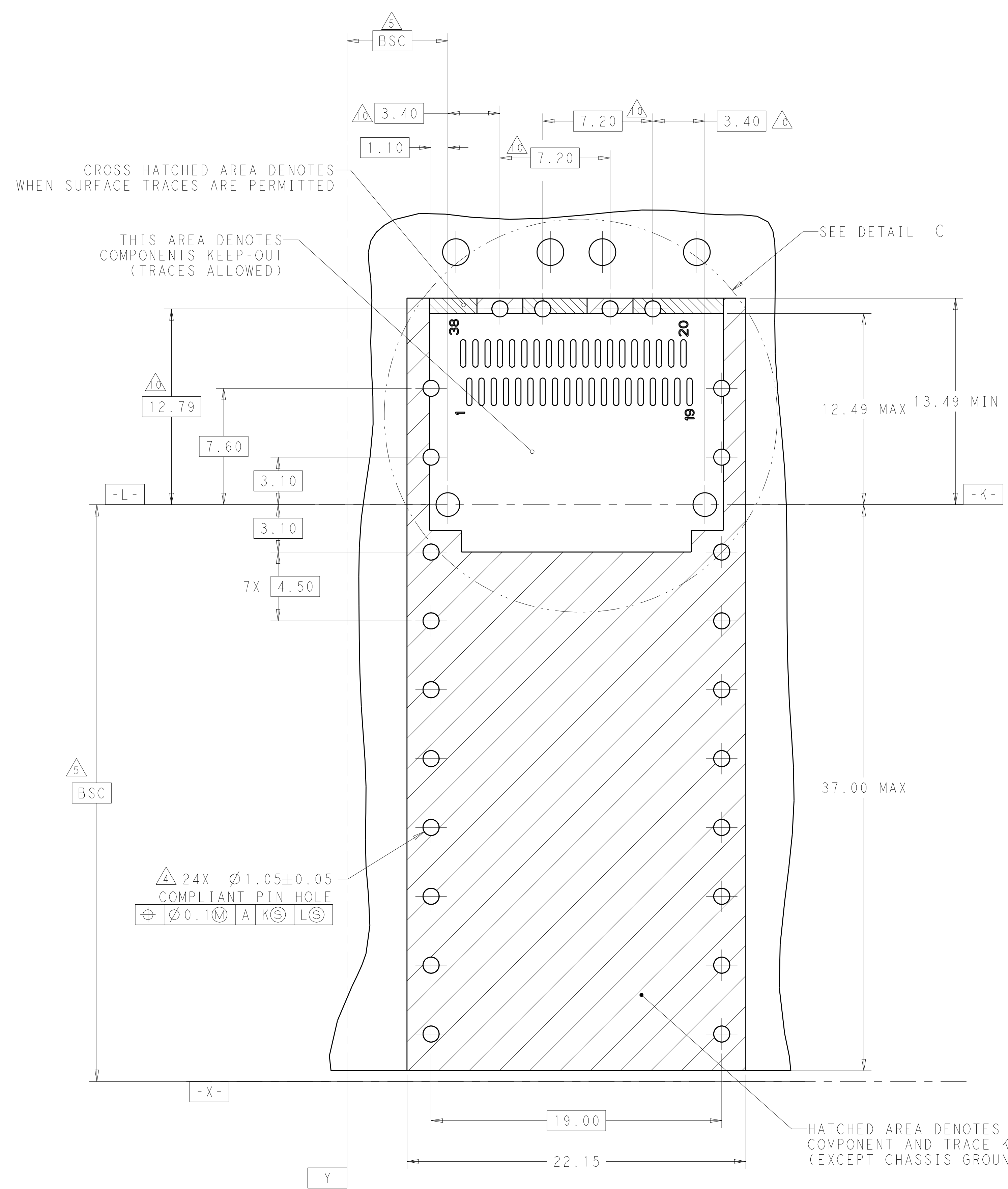
RECOMMENDED PCB LAYOUT
 SINGLE TYPE OF 0 REAR HOLES OF LEGS
 PCB TOLERANCE: ±0.05
 SCALE 6:1



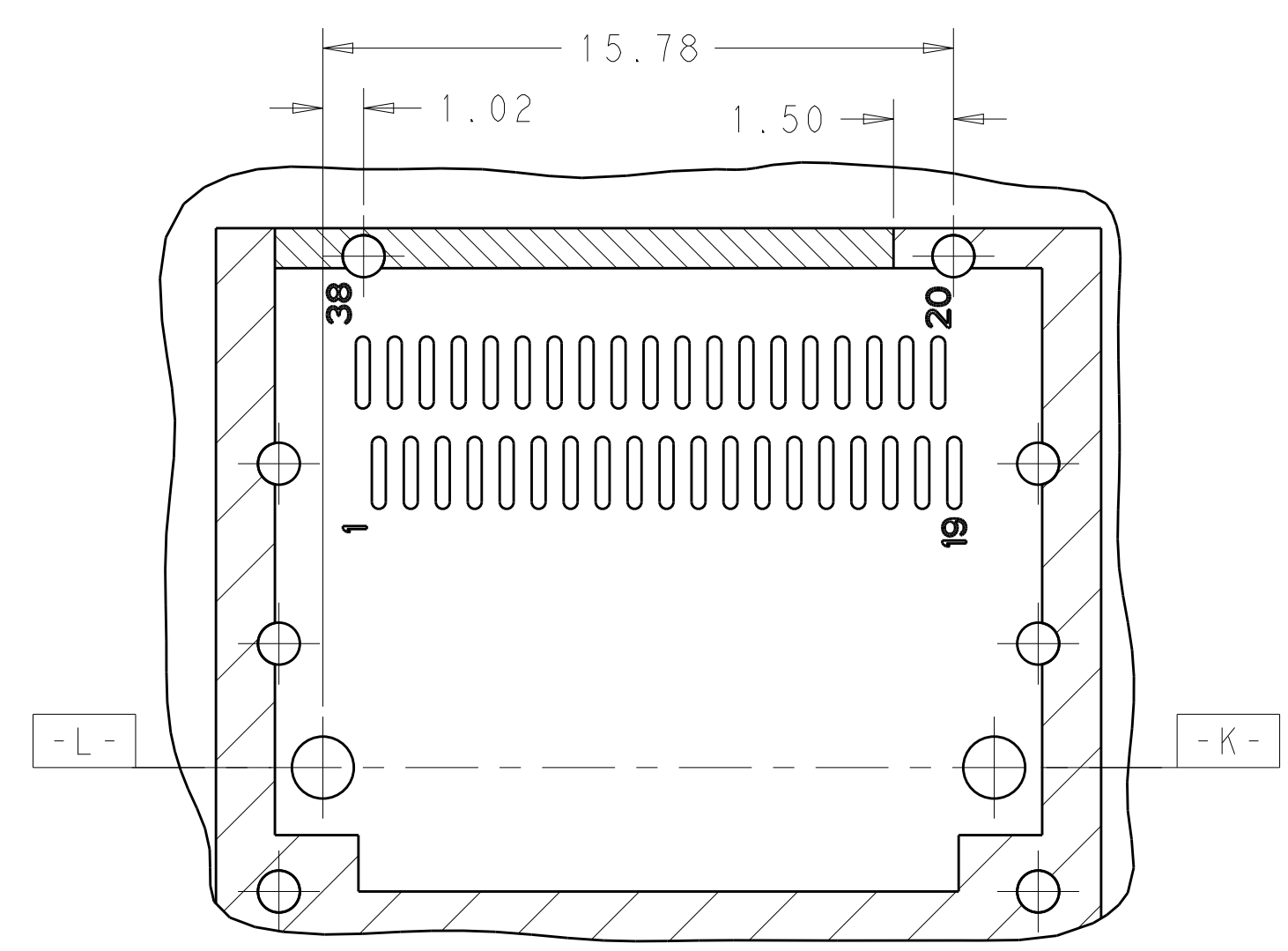
DETAIL B
 SCALE 8:1

THIS DRAWING IS A CONTROLLED DOCUMENT.		DWN: JASON YANG 23SEP2013	TE Connectivity
DIMENSIONS: mm		CHK: SEAN HAN 23SEP2013	
TOLERANCES UNLESS OTHERWISE SPECIFIED:		APVD: SEAN HAN 23SEP2013	NAME: CAGE ASSEMBLY, QSPF28, THRU BEZEL WITH EMI SPRING FINGER LIGHT PIPE
0 PLC ±0.25	1 PLC ±0.25	PRODUCT SPEC 108-19428	SIZE: A100779
2 PLC ±0.20	3 PLC ±0.100	APPLICATION SPEC 114-32023	RESTRICTED TO: -
4 PLC ±0.100	ANGLES ±°	WEIGHT: -	SCALE: 2:1
MATERIAL: -	FINISH: -	CUSTOMER DRAWING	SHEET 5 OF 7

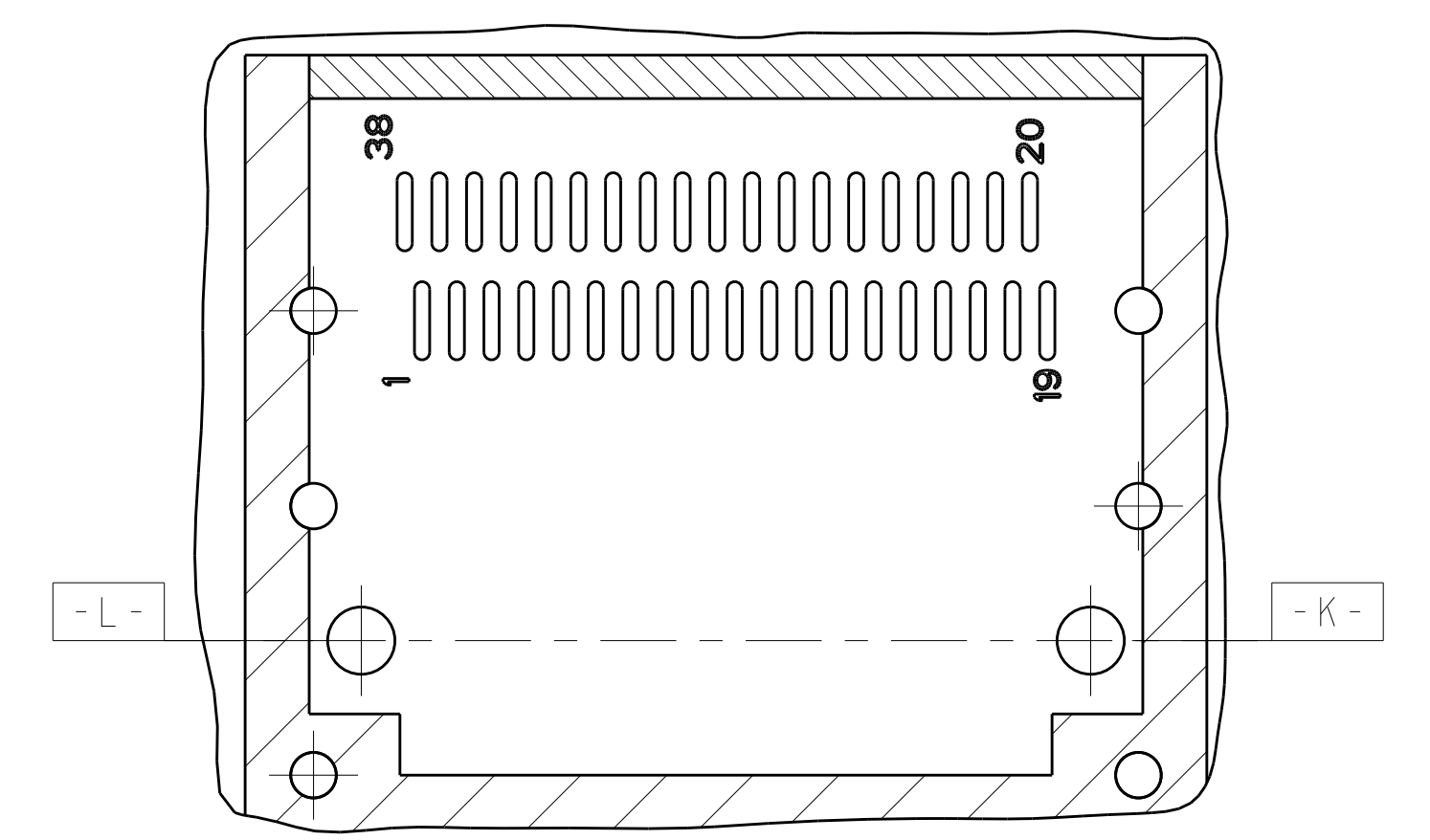
REVISIONS				
P.	LTN.	DESCRIPTION	DATE	APVD.
-	-	SEE SHEET 1	-	-



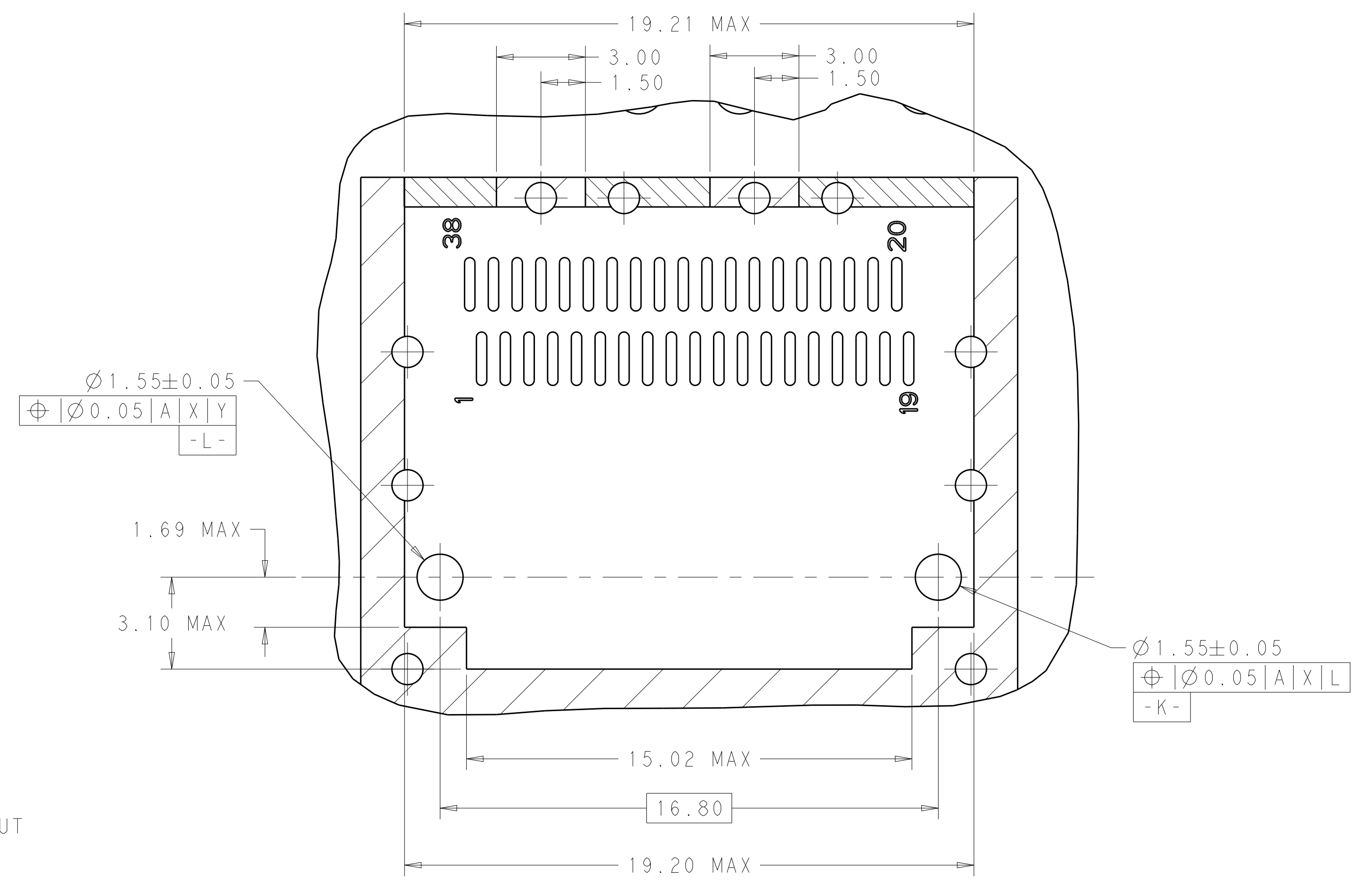
RECOMMENDED PCB LAYOUT
BELLY TO BELLY TYPE OF 2 REAR HOLES OF LEGS
PCB TOLERANCE: ±0.05
SCALE 6:1



RECOMMENDED PCB LAYOUT
BELLY TO BELLY TYPE OF 1 REAR HOLES OF LEGS
PCB TOLERANCE: ±0.05
SCALE 6:1



RECOMMENDED PCB LAYOUT
BELLY TO BELLY TYPE OF 0 REAR HOLES OF LEGS
PCB TOLERANCE: ±0.05
SCALE 6:1



DETAIL C
SCALE 8:1

THIS DRAWING IS A CONTROLLED DOCUMENT.		OWN: JASON YANG 23SEP2013	TE Connectivity
DIMENSIONS: mm		CHK: SEAN HAN 23SEP2013	
TOLERANCES UNLESS OTHERWISE SPECIFIED:		APVD: 23SEP2013	NAME: CAGE ASSEMBLY, QSPF28, THRU BEZEL WITH EMI SPRING FINGER LIGHT PIPE
0 PLC ±0.25	1 PLC ±0.25	PRODUCT SPEC 108-19428	SIZE: A100779C=2170773
2 PLC ±0.20	3 PLC ±0.100	APPLICATION SPEC 114-32023	RESTRICTED TO
4 PLC ±"	ANGLES ±"	WEIGHT	SCALE 2:1 SHEET 6 OF 7 REV A
MATERIAL	FINISH	CUSTOMER DRAWING	