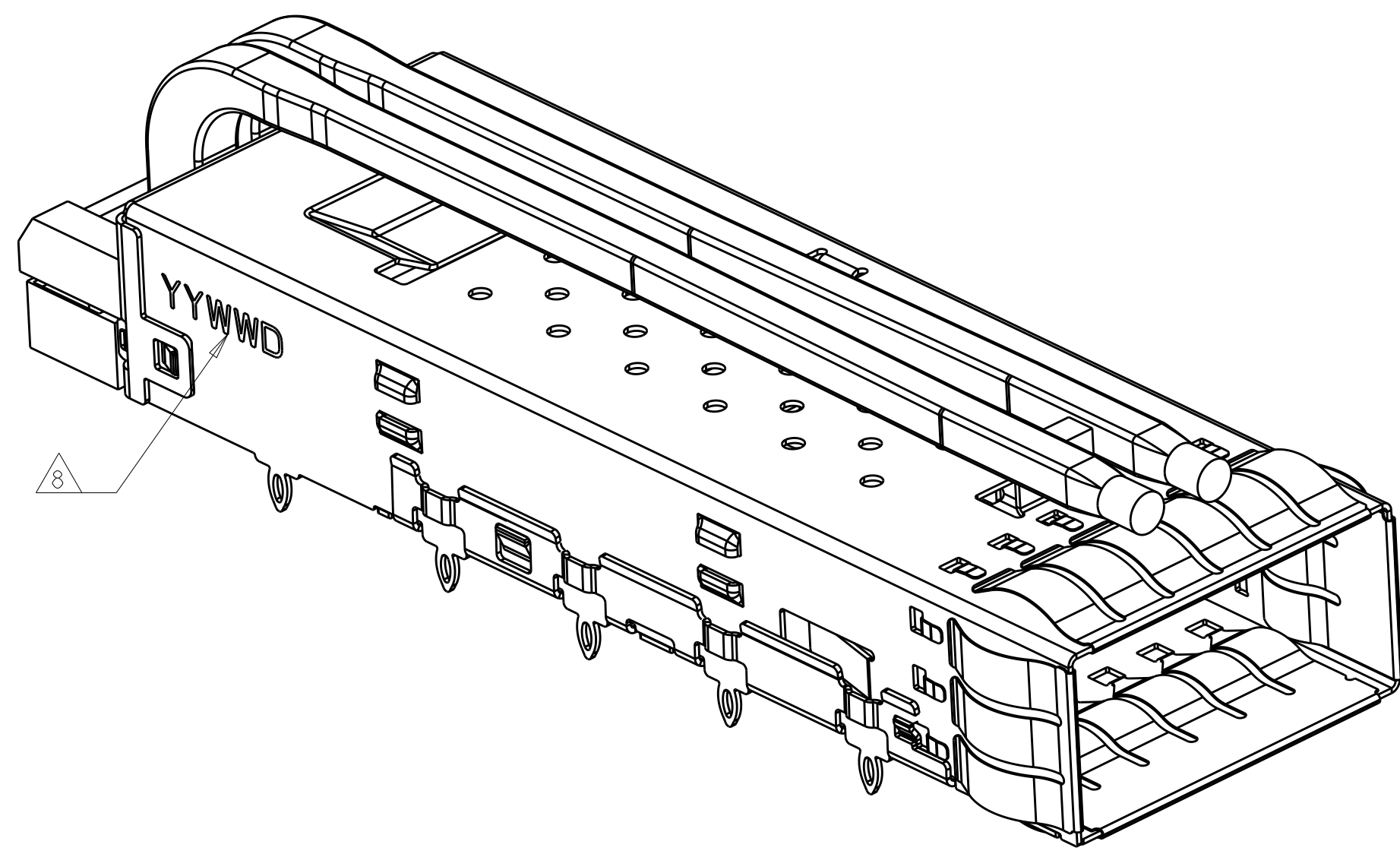
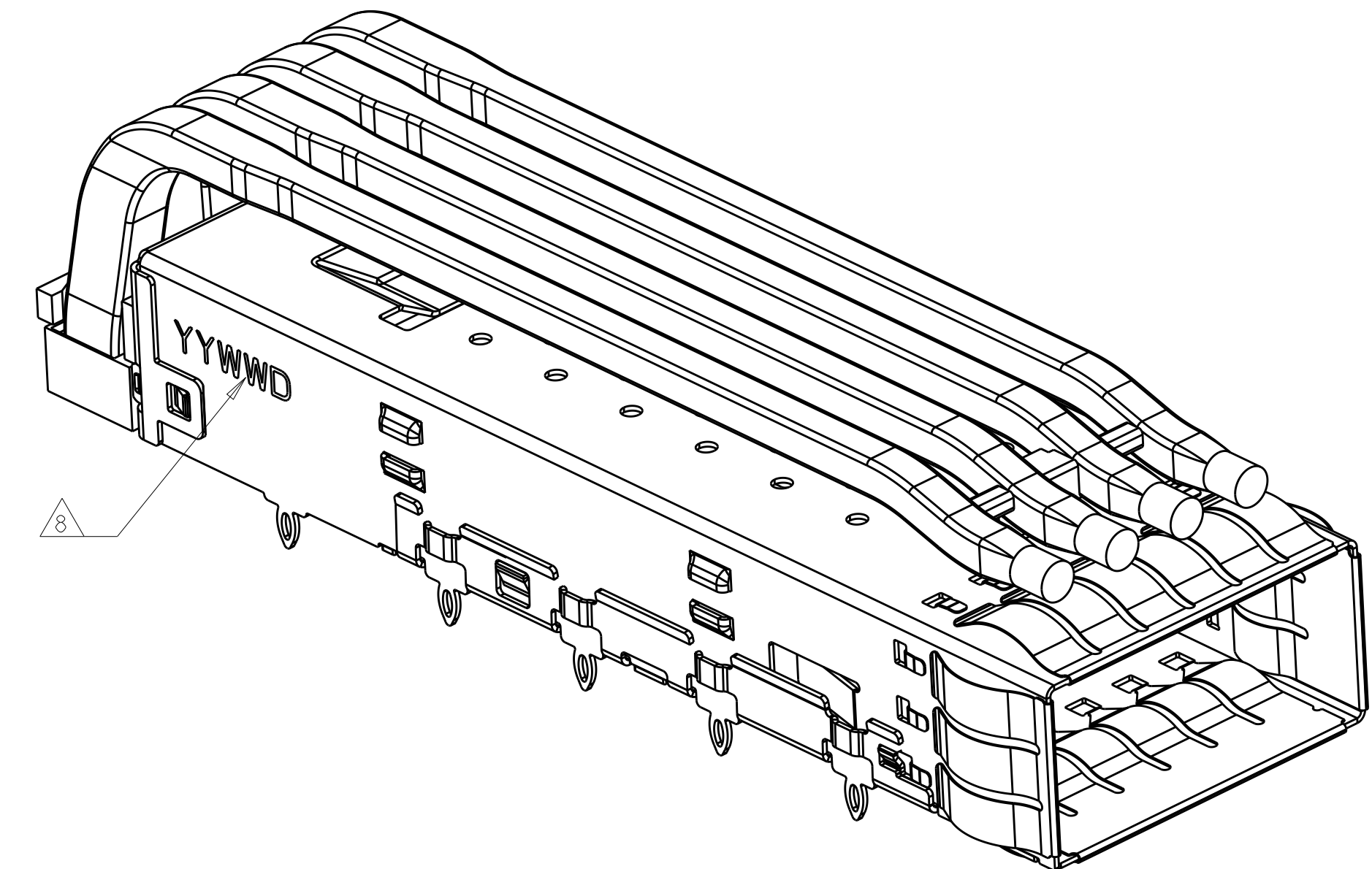


REVISIONS				
P.	LTN	DESCRIPTION	DATE	APVD
A		RELEASE	03NOV2016	JY SH



2170773-1 AS SHOWN
SCALE 4:1

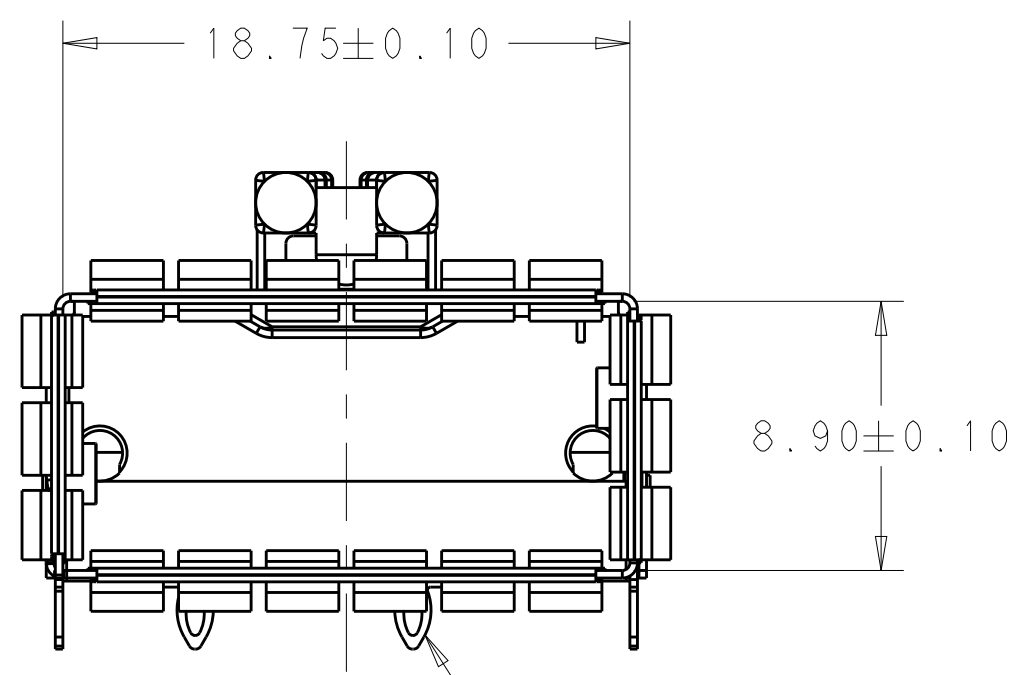
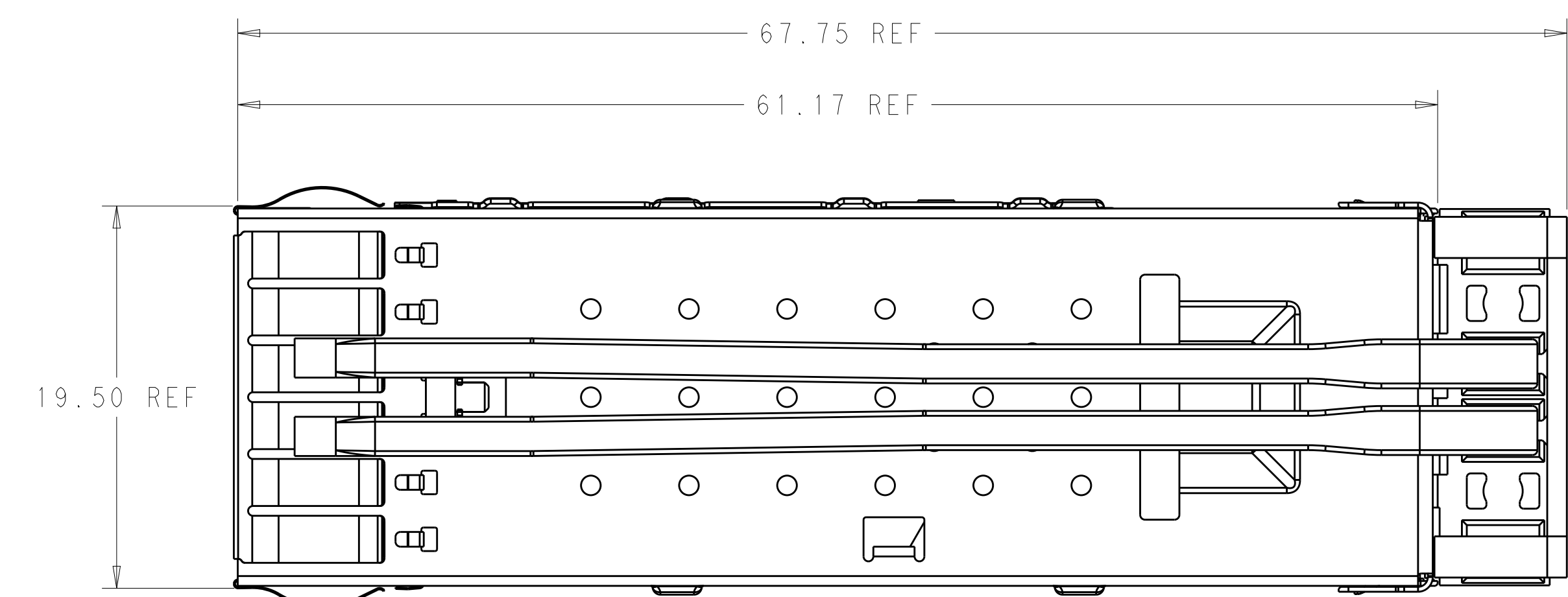


2170773-4 AS SHOWN
SCALE 4:1

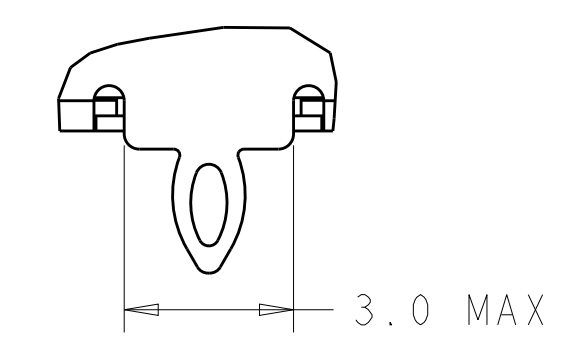
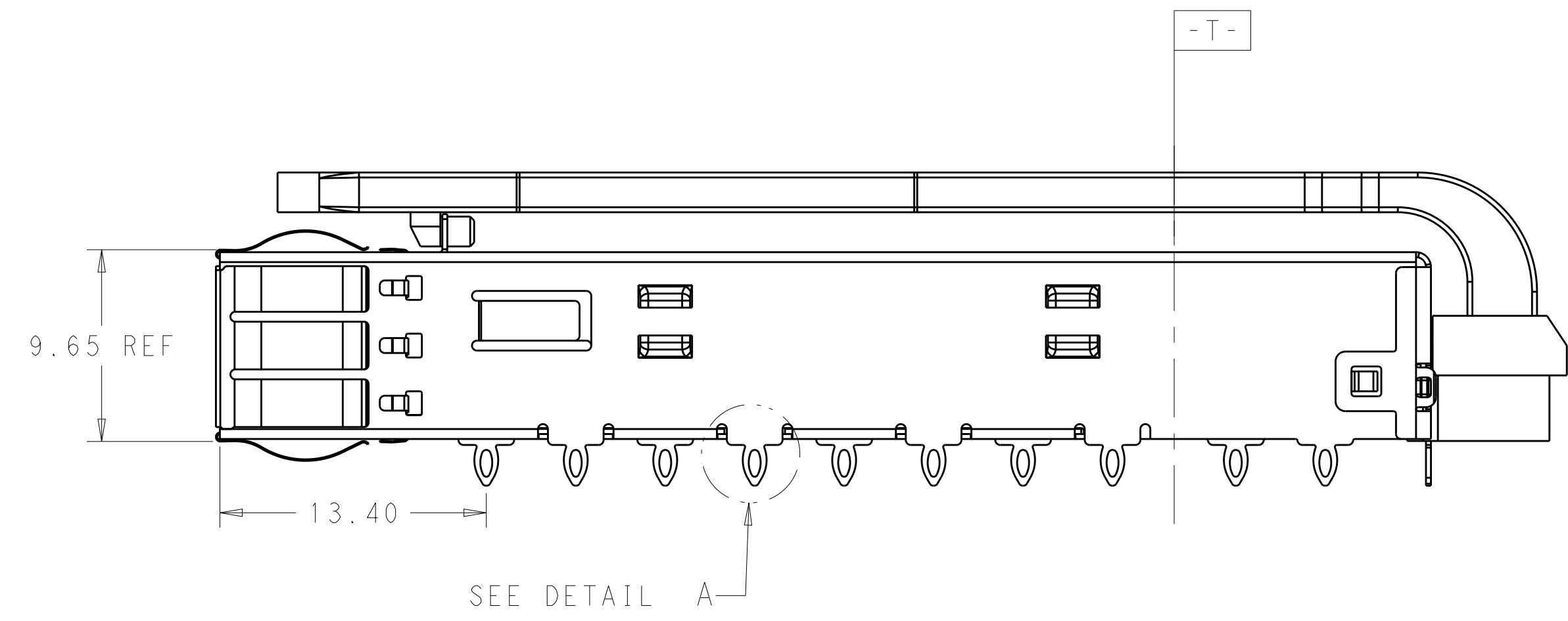
1. MATERIAL:
 CAGE MATERIAL : 0.25 THICK NICKEL SILVER.
 SPRING MATERIAL: COPPER ALLOY
 LIGHT PIPE MATERIAL: POLYCARBONATE WITH 94 V-0
 ORGANIZER MATERIAL: POLYESTER WITH 94 V-0

2. FINISH:
 SPRING: NICKEL PLATING

3. DIMENSION APPLIES WITH MODULE INSTALLED IN THE CAGE TO TOP OF HEAT SINK.
4. REFERENCE APPLICATION SPEC 114-32023 FOR RECOMMENDED DRILL HOLE DIAMETER AND PLATING THICKNESS.
5. DATUM AND BASIC DIMENSIONS ESTABLISHED BY CUSTOMERS.
6. MINIMUM PC BOARD THICKNESS : SINGLE SIDED: 1.57 MIN
 DOUBLE SIDED: 2.20 MIN
7. DATUM [-A-] IS TOP SURFACE OF THE HOST BOARD.
8. DATE CODE (YYWWD) MARKED APPROXIMATELY AS SHOWN
9. MATES WITH QSFP28 MSA COMPATIBLE TRANSCEIVER.
10. THESE HOLES ARE OPTIONAL WHEN THE REAR PINS ARE REMOVED.



REAR PINS OPTION



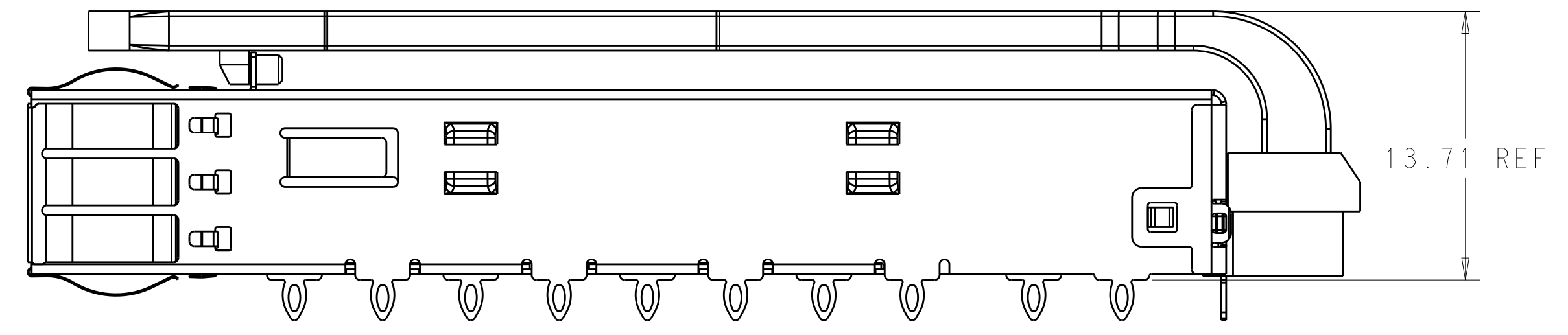
DETAIL A
SCALE 8:1

SINGLE	0	2170773-7
QUAD	0	2170773-6
QUAD	1	2170773-5
QUAD	2	2170773-4
DUAL	0	2170773-3
DUAL	1	2170773-2
DUAL	2	2170773-1
LIGHT PIPE OPTION	# OF REAR PINS OPTION	PART NUMBER

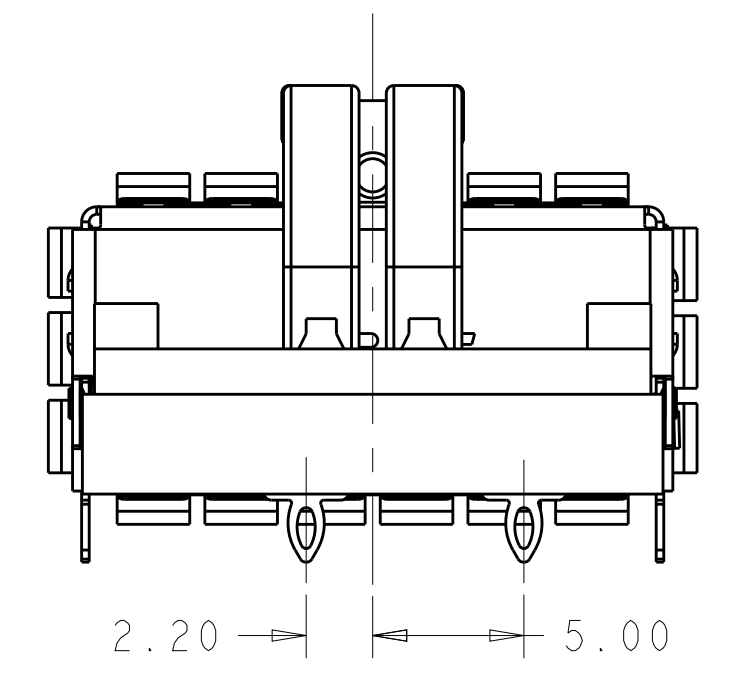
THIS DRAWING IS A CONTROLLED DOCUMENT.		OWN: JASON YANG 23SEP2013	TE Connectivity
DIMENSIONS: mm		CHK: SEAN HAN 23SEP2013	
TOLERANCES UNLESS OTHERWISE SPECIFIED:		APVD: 23SEP2013	NAME: CAGE ASSEMBLY, QSFP28, THRU BEZEL WITH EMI SPRING FINGER LIGHT PIPE
0 PLC ±0.25	1 PLC ±0.25	PRODUCT SPEC 108-19428	SIZE: CAGE CODE DRAWING NO. RESTRICTED TO
2 PLC ±0.25	3 PLC ±0.25	APPLICATION SPEC 114-32023	A100779C=2170773
4 PLC ±0.100	ANGLES ±°	WEIGHT	CUSTOMER DRAWING
FINISH		SCALE 2:1	SHEET 1 OF 7 REV A

REVISIONS				
P. LTR.	DESCRIPTION	DATE	OWN	APVD
-	SEE SHEET 1	-	-	-

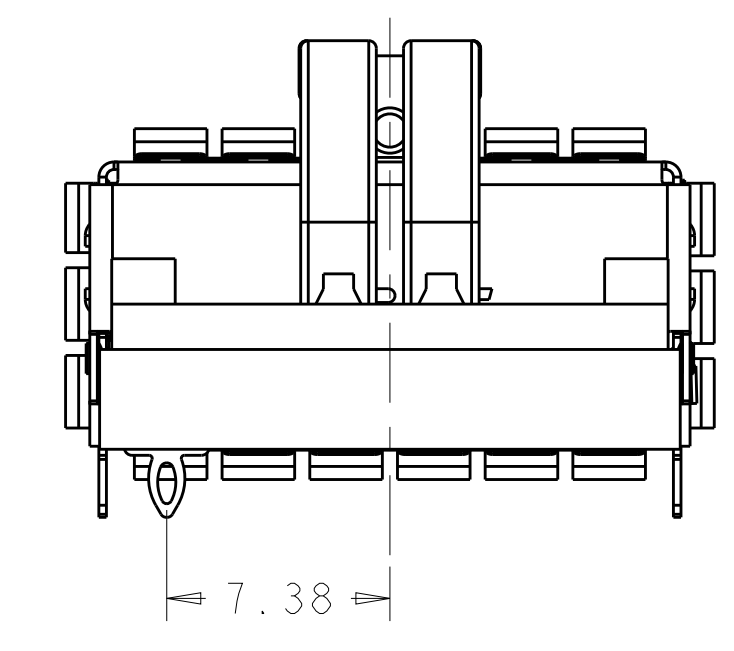
OF REAR LEGS OPTION



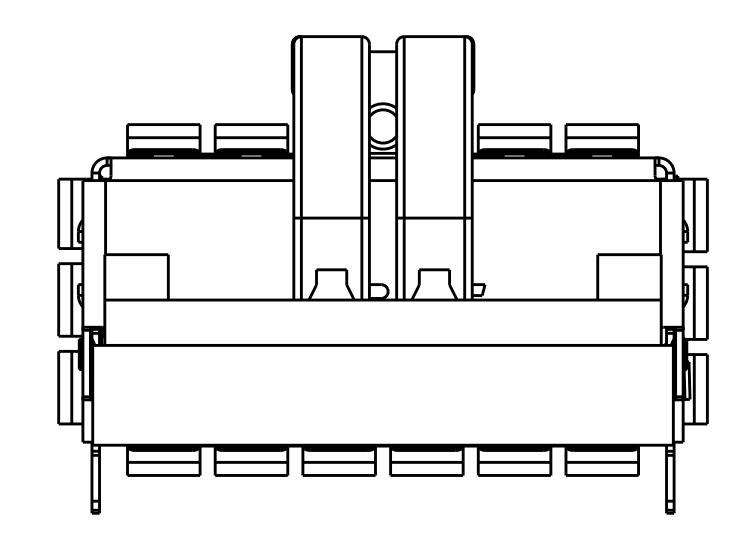
PN: 2170773-1/2/3



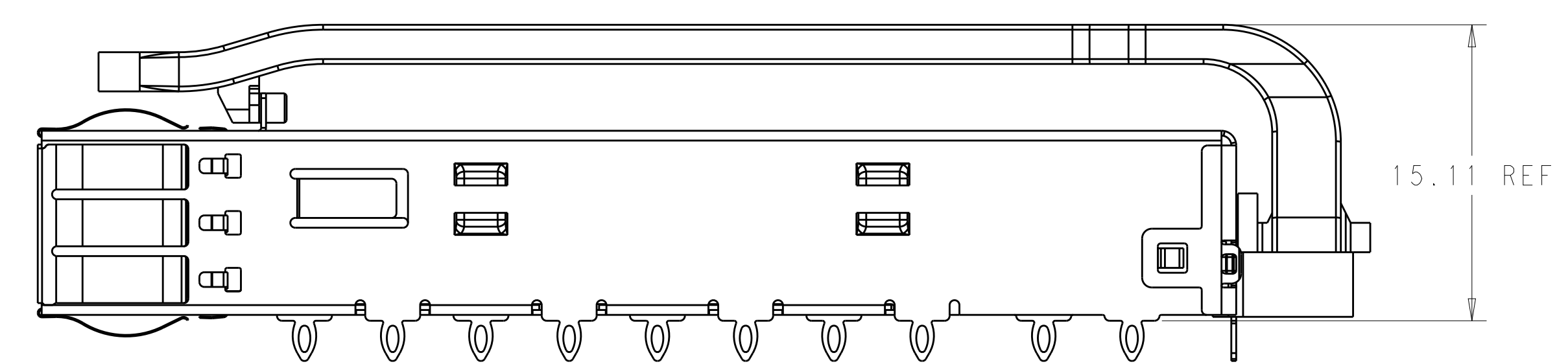
BACK VIEW OF 2170773-1
SCALE 4:1



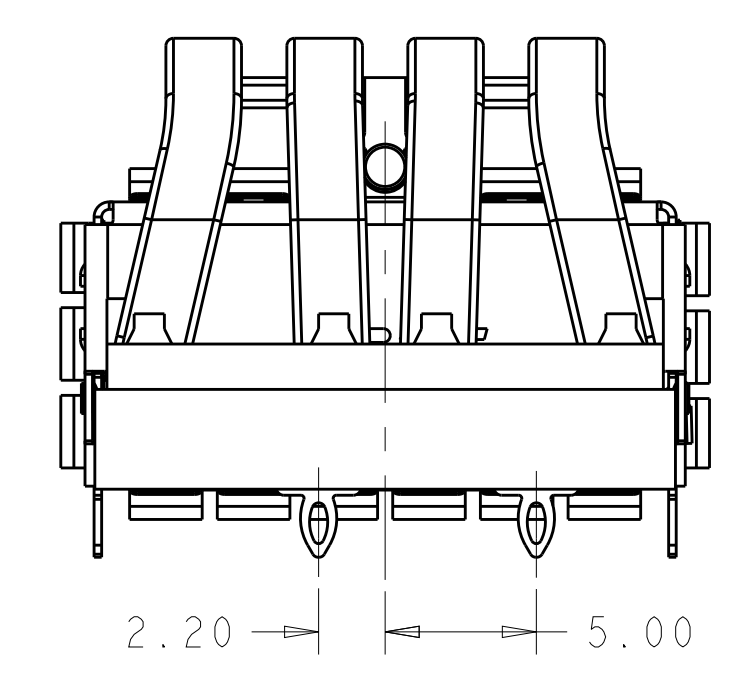
BACK VIEW OF 2170773-2
SCALE 4:1



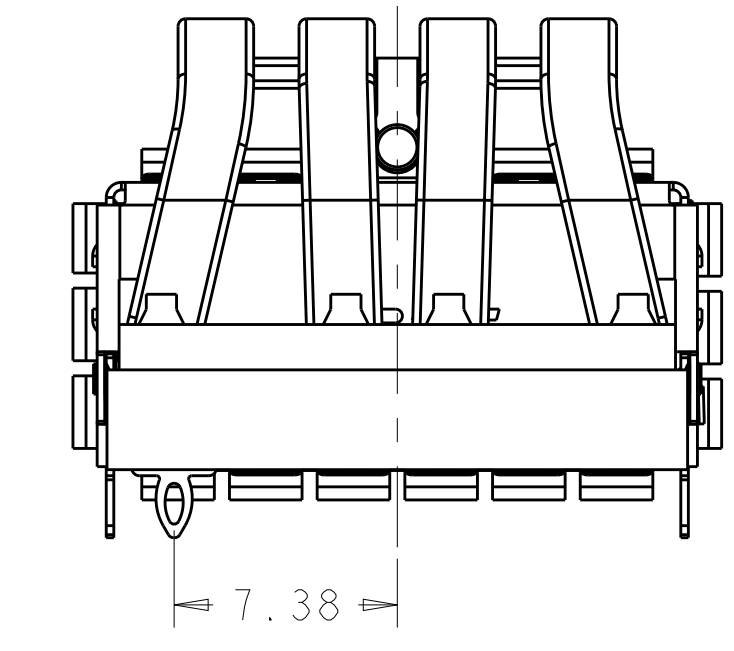
BACK VIEW OF 2170773-3
SCALE 4:1



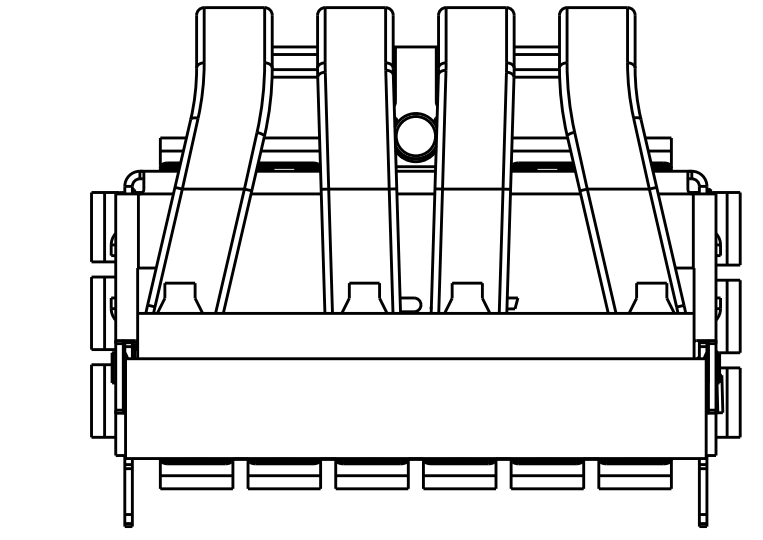
PN: 2170773-4/5/6



BACK VIEW OF 2170773-4
SCALE 4:1



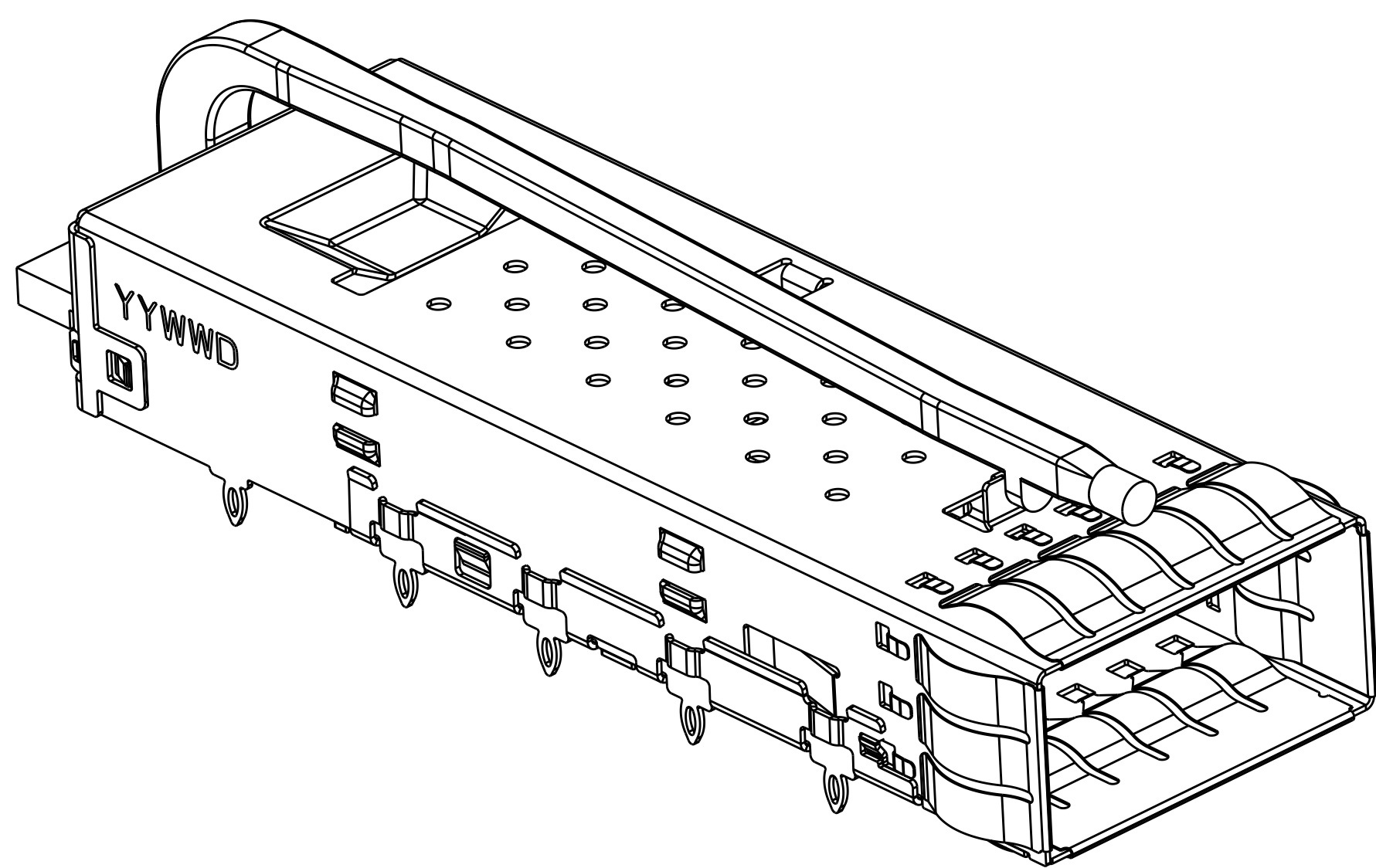
BACK VIEW OF 2170773-5
SCALE 4:1



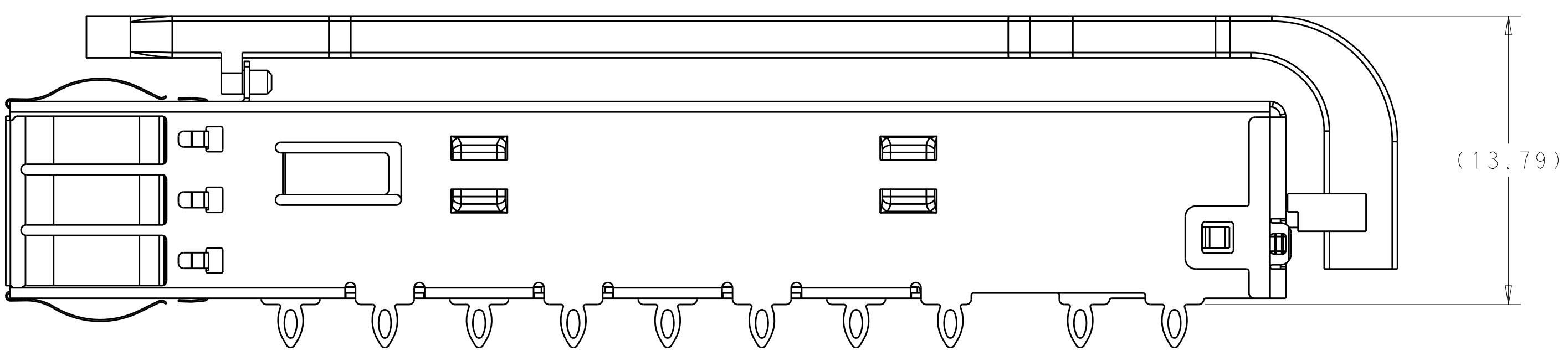
BACK VIEW OF 2170773-6
SCALE 4:1

THIS DRAWING IS A CONTROLLED DOCUMENT.		DWN JASON YANG 23SEP2013 CHK SEAN HAN 23SEP2013 APVD SEAN HAN 23SEP2013	TE Connectivity
DIMENSIONS: mm	TOLERANCES UNLESS OTHERWISE SPECIFIED: 0 PLC ±0.25 1 PLC ±0.25 2 PLC ±0.25 3 PLC ±0.100 4 PLC ± ANGLES ±°	PRODUCT SPEC 108-19428 APPLICATION SPEC 114-32023 WEIGHT CUSTOMER DRAWING	
MATERIAL FINISH		SCALE 2:1 SHEET 2 OF 7 REV A	

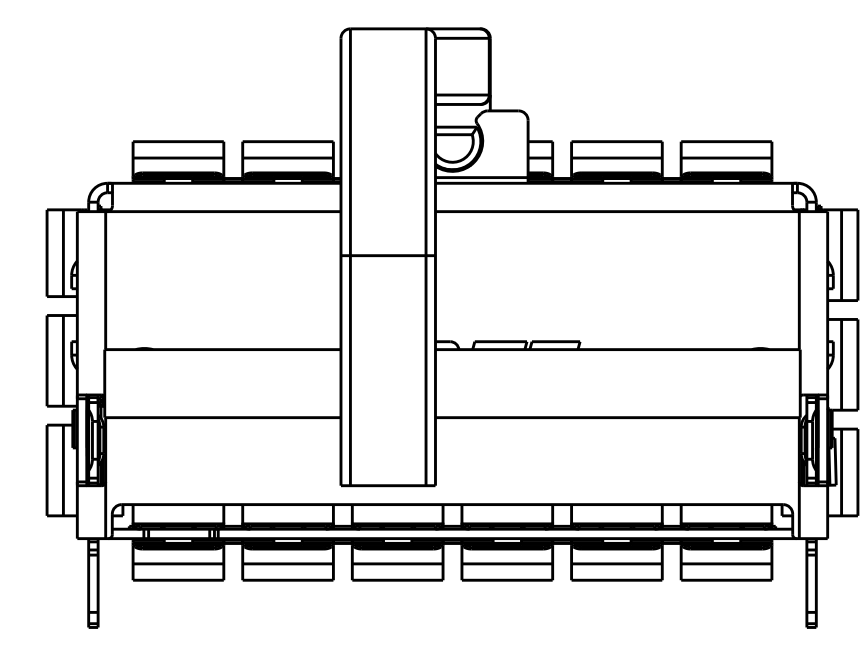
REVISIONS				
P.	LTN	DESCRIPTION	DATE	APVD
-	-	SEE SHEET 1	-	-




2170773-7 AS SHOWN
SCALE 4:1



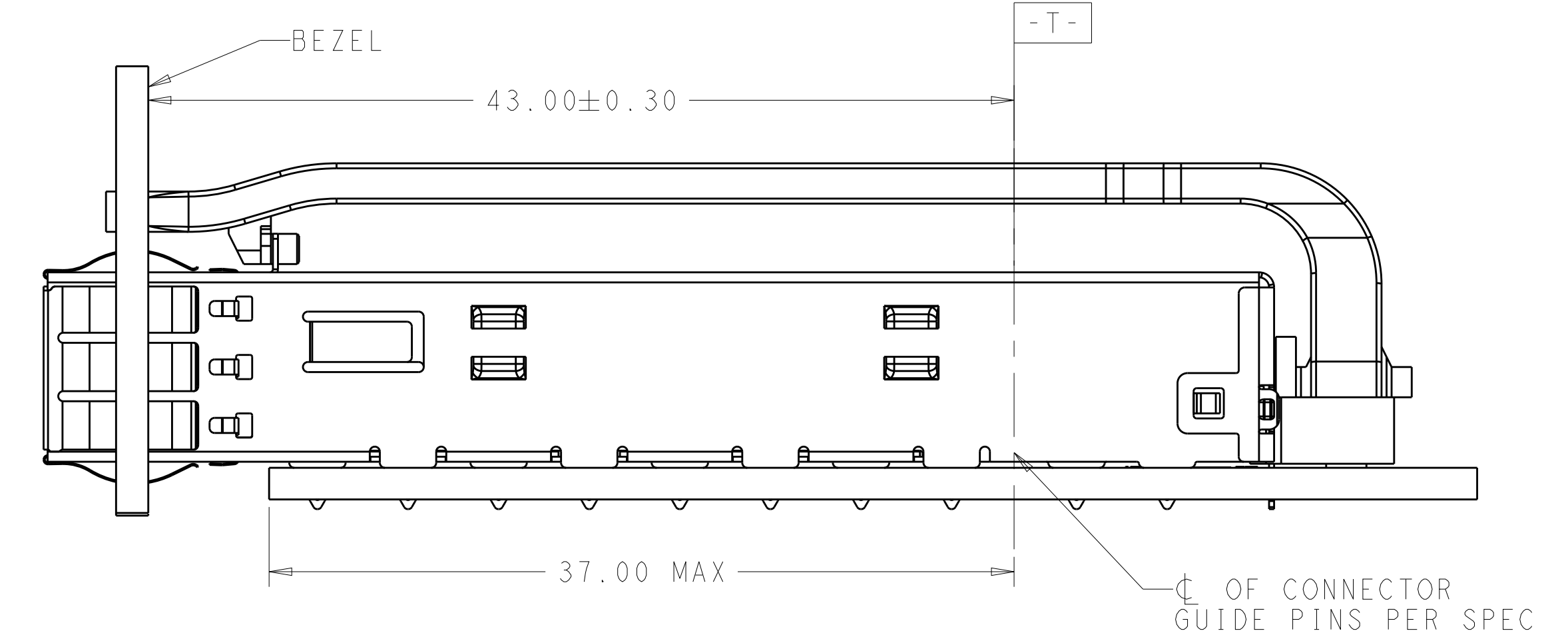
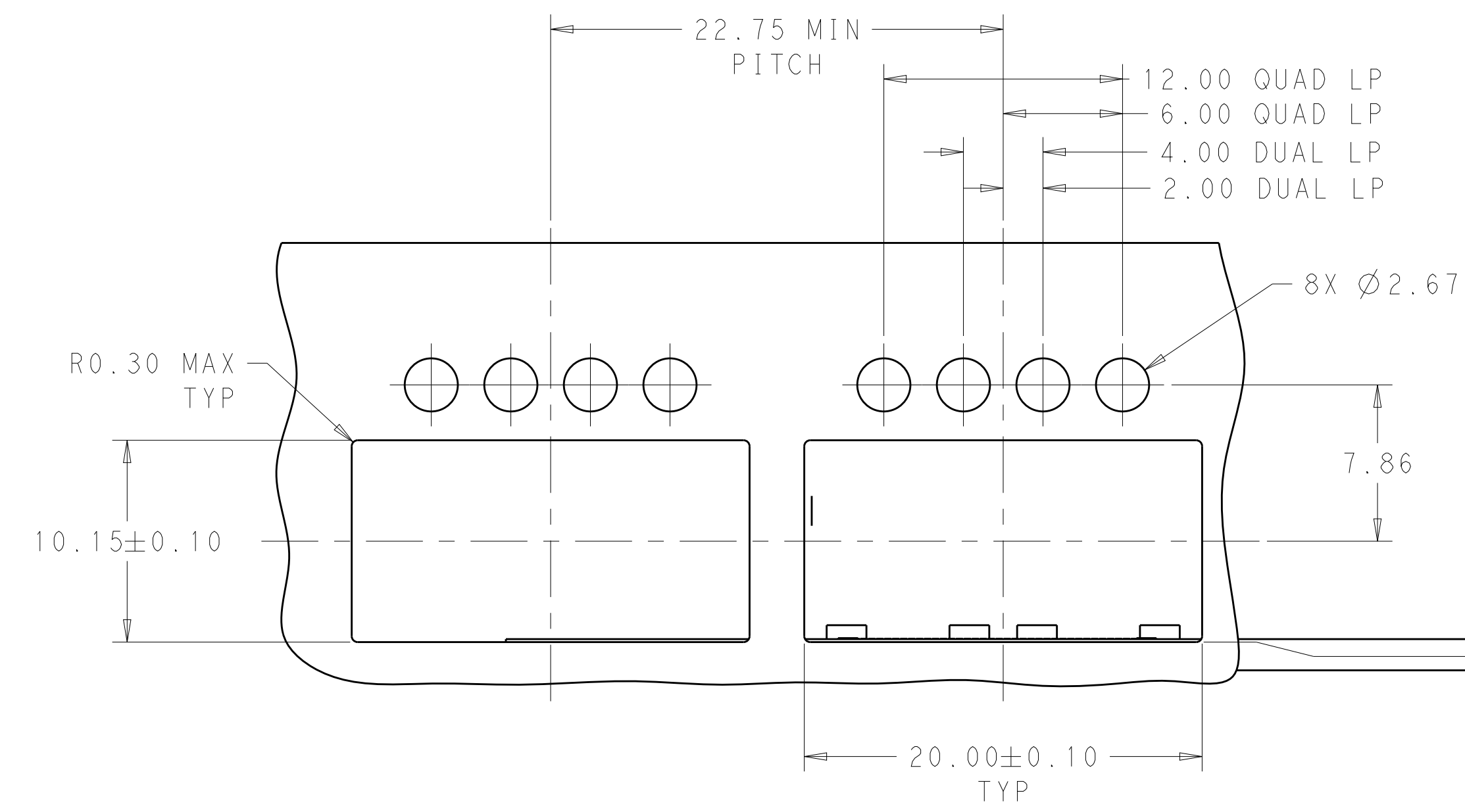
(13.79)



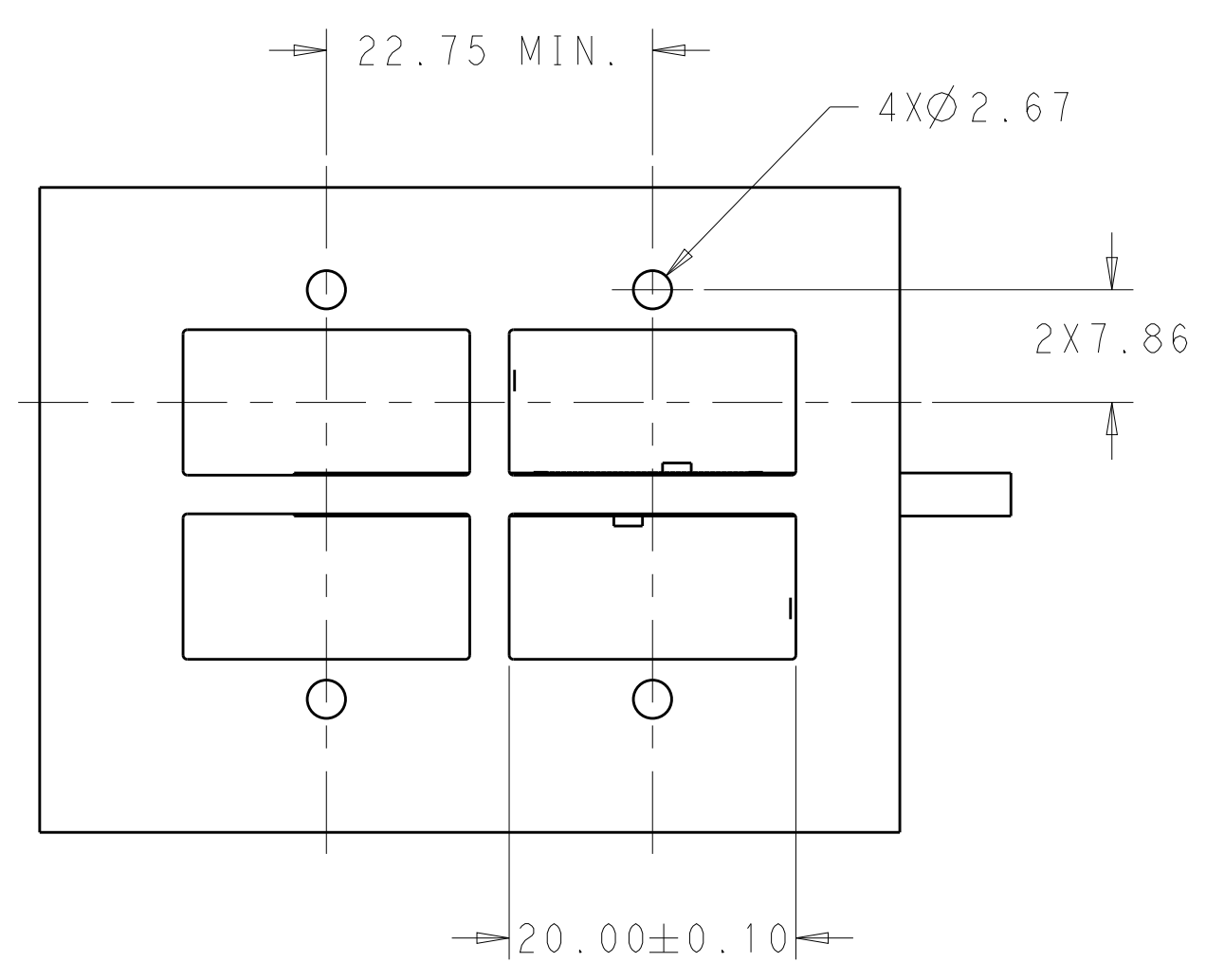
2170773-7 BACK VIEW
SCALE 5:1

THIS DRAWING IS A CONTROLLED DOCUMENT.		DWN: JASON YANG 23SEP2013	 TE Connectivity
		CHK: SEAN HAN 23SEP2013	
DIMENSIONS:		APVD: SEAN HAN 23SEP2013	NAME: CAGE ASSEMBLY, QSFP28, THRU BEZEL WITH EMI SPRING FINGER LIGHT PIPE PRODUCT SPEC: 108-19428 APPLICATION SPEC: 114-32023
TOLERANCES UNLESS OTHERWISE SPECIFIED: 0 PLC ±0.25 1 PLC ±0.25 2 PLC ±0.20 3 PLC ±0.100 4 PLC ± ANGLES ±°		SIZE: A100779 CAGE CODE: C=2170773 WEIGHT: - CUSTOMER DRAWING	
MATERIAL: -		RESTRICTED TO: -	
FINISH: -		SCALE: 2:1 SHEET 3 OF 7 REV A	

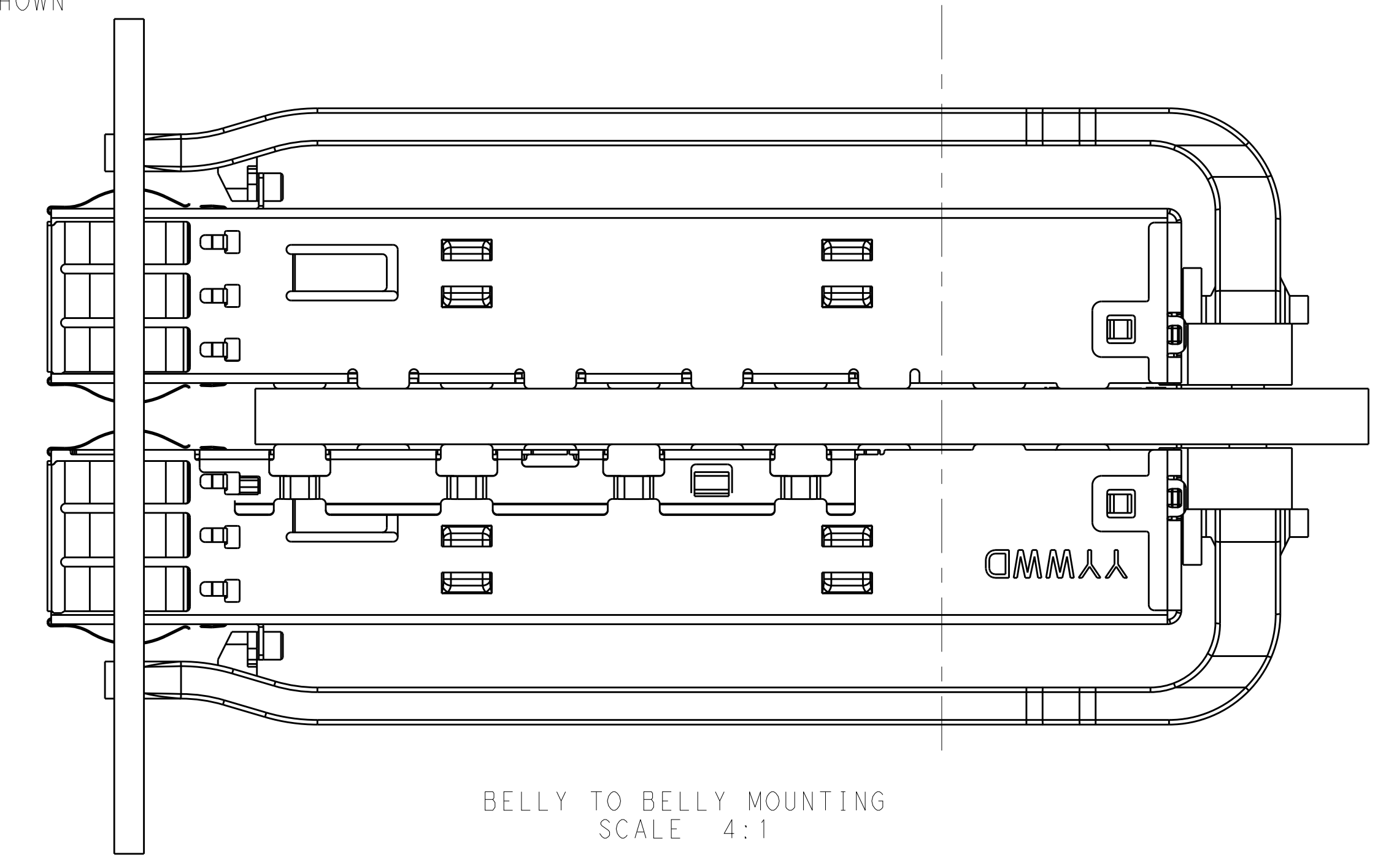
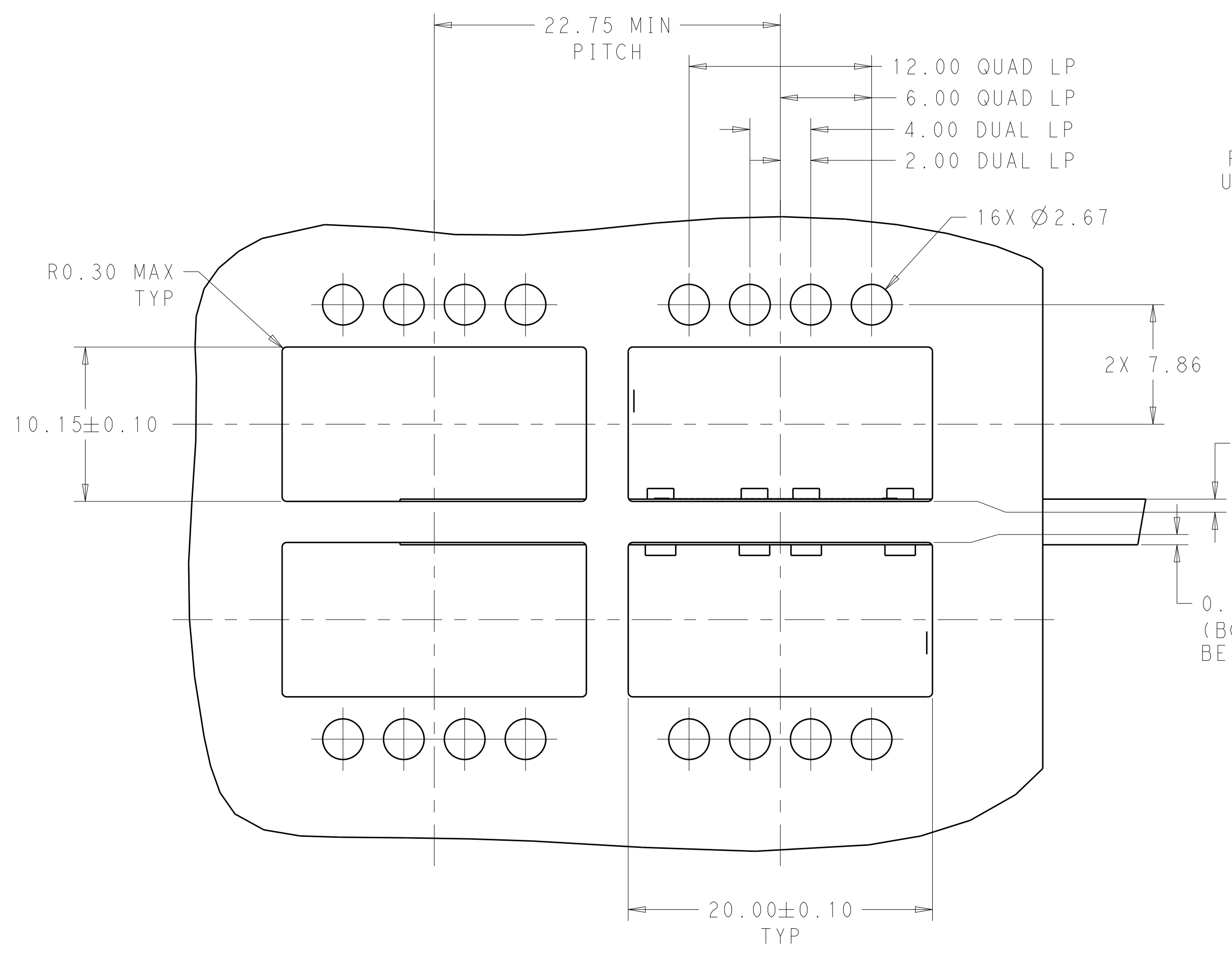
REVISIONS				
P. LTR	DESCRIPTION	DATE	OWN	APVD
-	SEE SHEET 1	-	-	-



SINGLE SIDE MOUNTING
SCALE 4:1



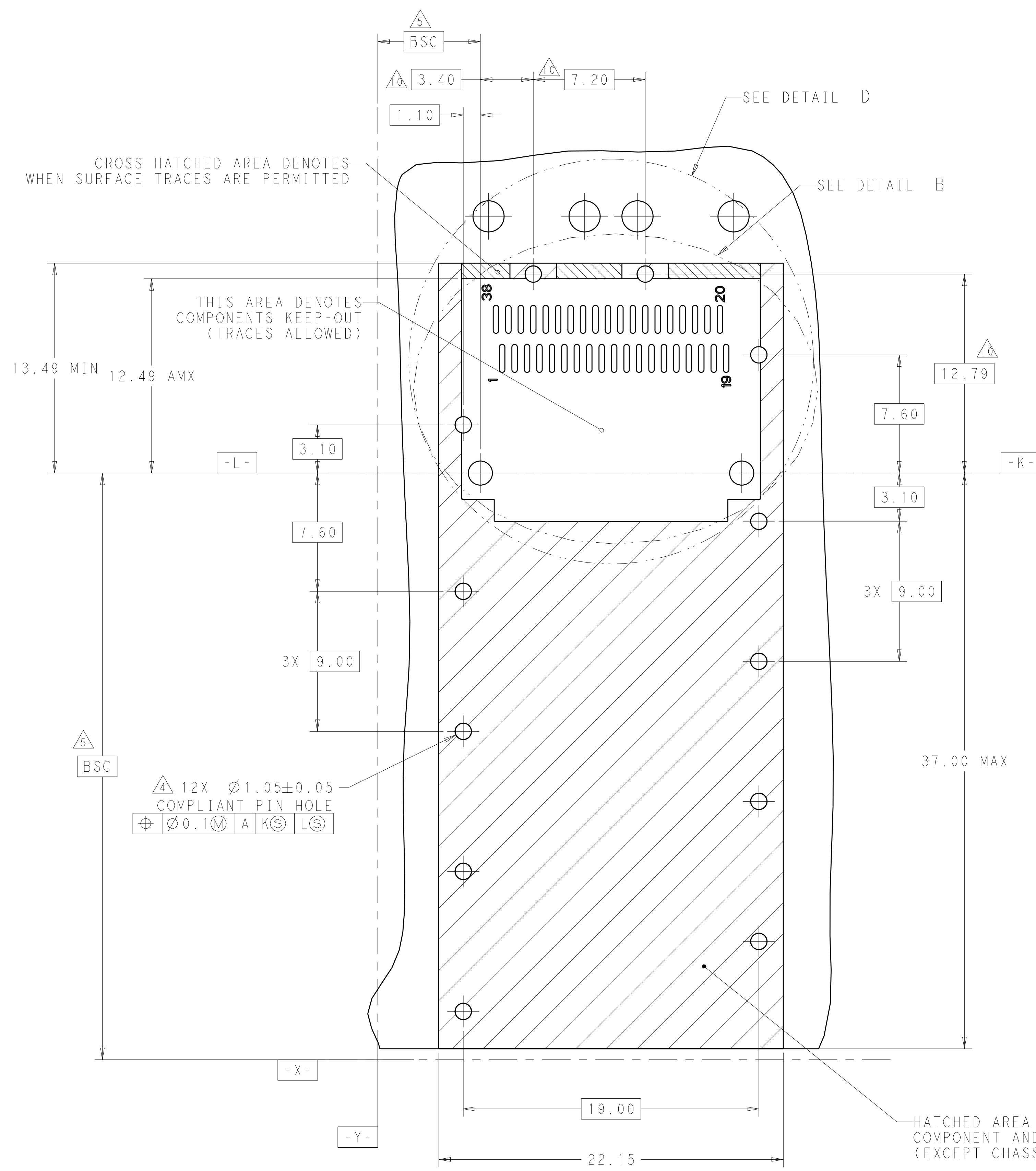
FOR SINGLE LP BELLY TO BELLY APPLICATION
UNDIMENSIONED SPEC SAME TO DUAL LP SHOWN
SCALE 2:1



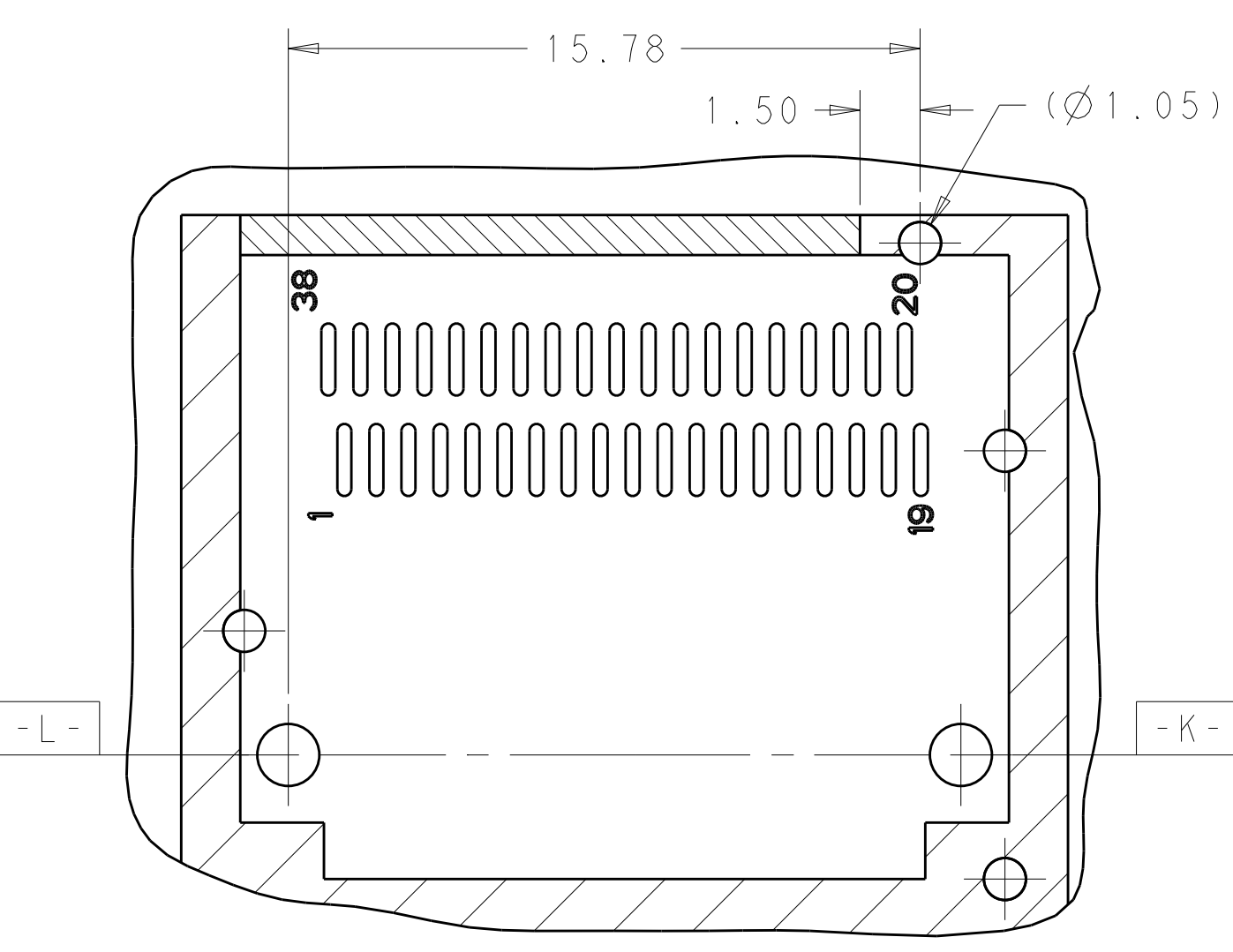
BELLY TO BELLY MOUNTING
SCALE 4:1

THIS DRAWING IS A CONTROLLED DOCUMENT.		OWN: JASON YANG 23SEP2013	TE Connectivity
DIMENSIONS: mm		CHK: SEAN HAN 23SEP2013	
TOLERANCES UNLESS OTHERWISE SPECIFIED:		APVD: SEAN HAN 23SEP2013	NAME: CAGE ASSEMBLY, OSFP28, THRU BEZEL WITH EMI SPRING FINGER LIGHT PIPE
0 PLC	±0.25	PRODUCT SPEC	108-19428
1 PLC	±0.25	APPLICATION SPEC	114-32023
2 PLC	±0.25	SIZE	A100779
3 PLC	±0.25	CAGE CODE	C=2170773
4 PLC	±0.100	WEIGHT	-
ANGLES	±°	CUSTOMER DRAWING	SCALE 2:1 SHEET 4 OF 7 REV A
MATERIAL	-		
FINISH	-		

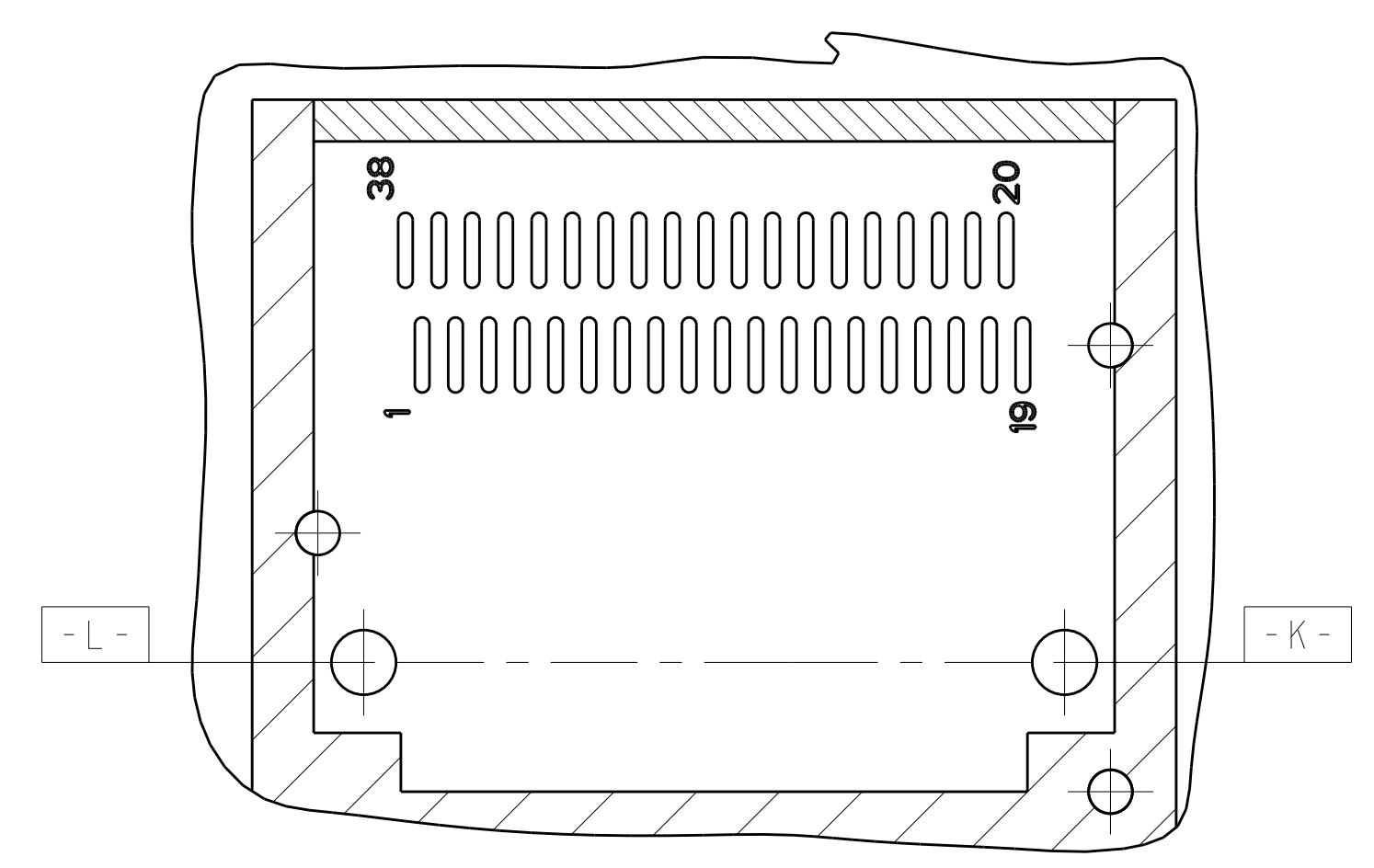
REVISIONS				
P.	LTN	DESCRIPTION	DATE	APVD
-	SEE SHEET 1			



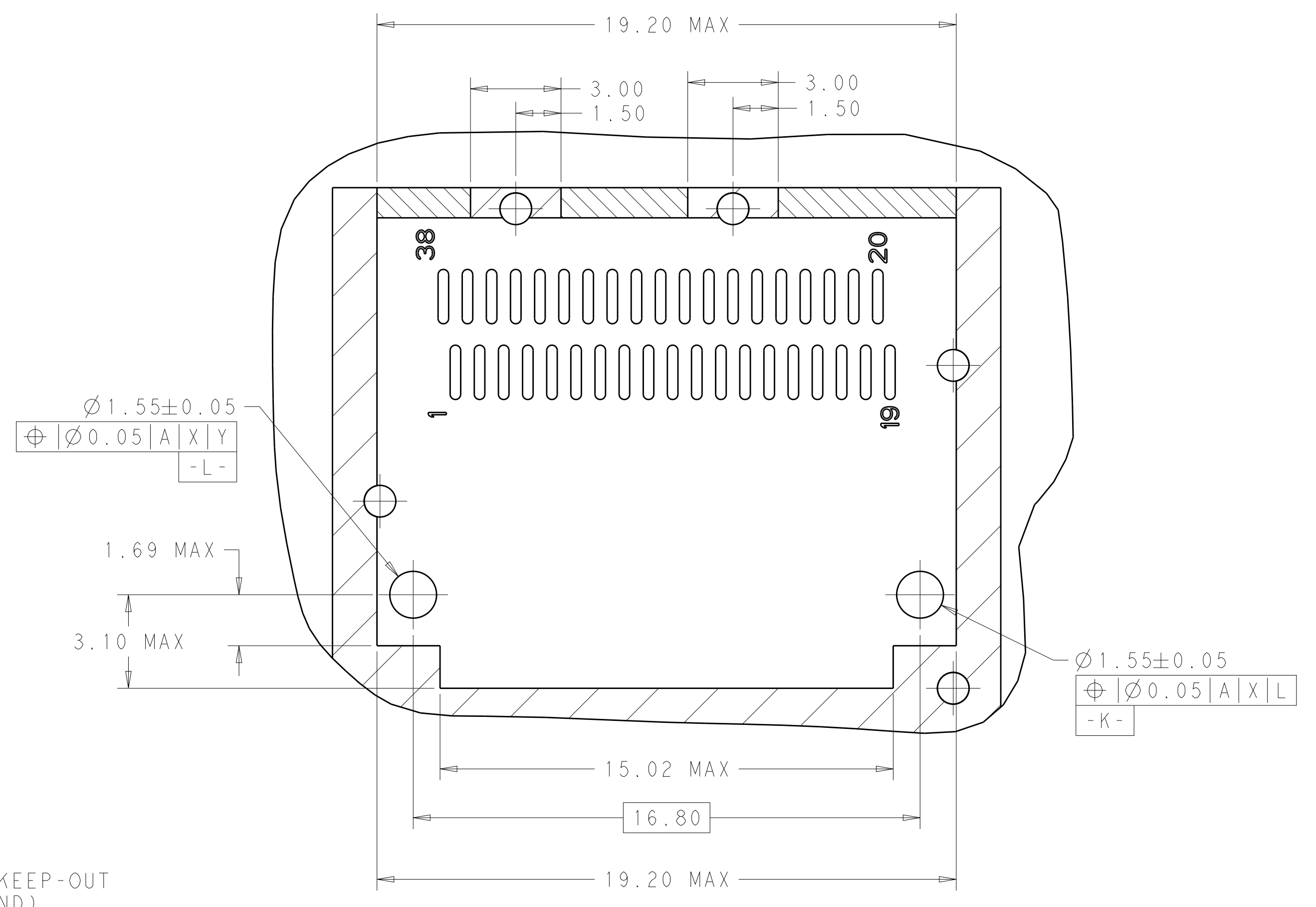
RECOMMENDED PCB LAYOUT
 SINGLE TYPE OF 2 REAR HOLES OF LEGS
 PCB TOLERANCE: ±0.05
 SCALE 6:1



RECOMMENDED PCB LAYOUT
 SINGLE TYPE OF 1 REAR HOLES OF LEGS
 PCB TOLERANCE: ±0.05
 SCALE 6:1



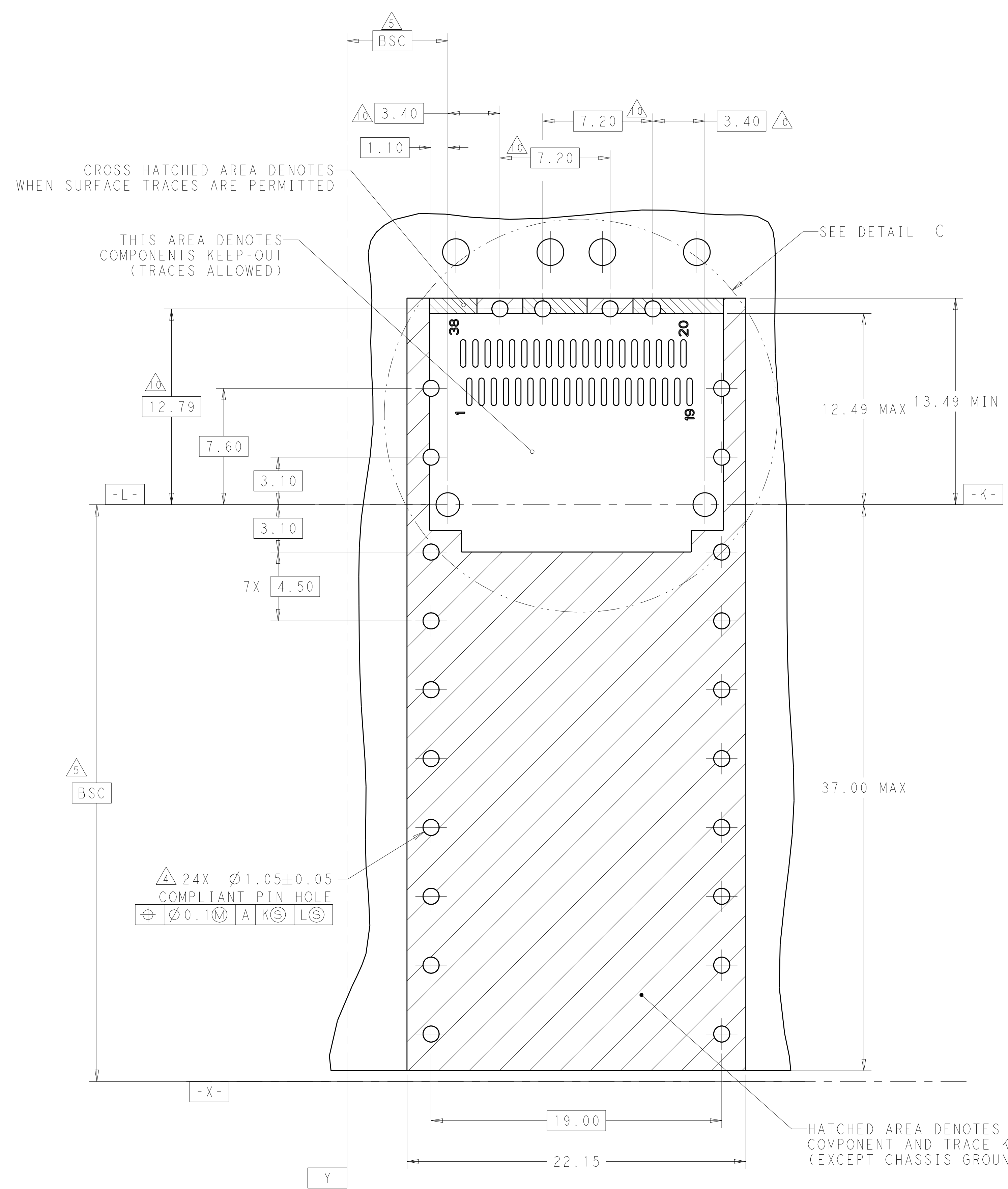
RECOMMENDED PCB LAYOUT
 SINGLE TYPE OF 0 REAR HOLES OF LEGS
 PCB TOLERANCE: ±0.05
 SCALE 6:1



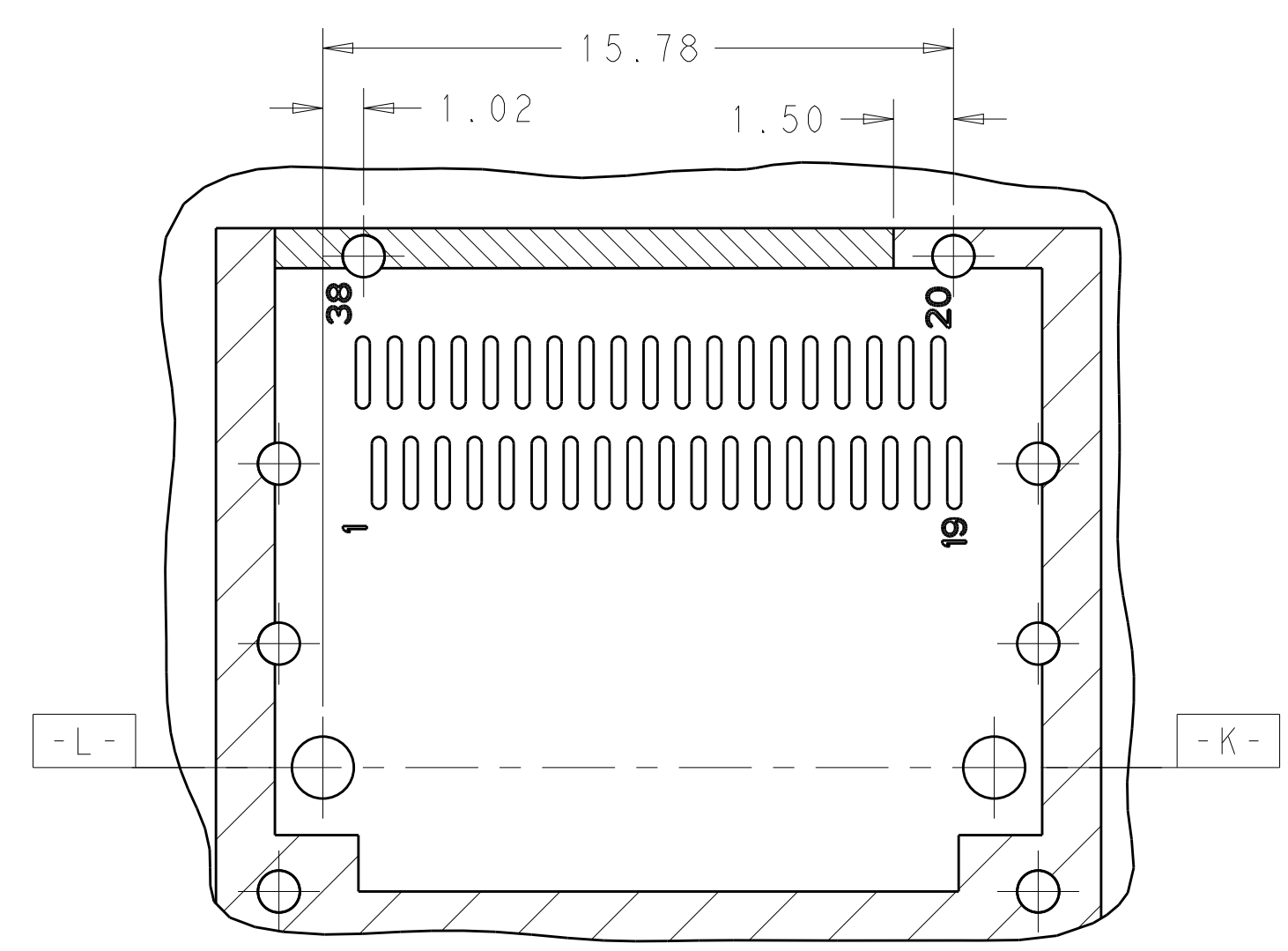
DETAIL B
 SCALE 8:1

THIS DRAWING IS A CONTROLLED DOCUMENT.		DWN: JASON YANG 23SEP2013	TE Connectivity
DIMENSIONS: mm		CHK: SEAN HAN 23SEP2013	
TOLERANCES UNLESS OTHERWISE SPECIFIED:		APVD: SEAN HAN 23SEP2013	NAME: CAGE ASSEMBLY, QSPF28, THRU BEZEL WITH EMI SPRING FINGER LIGHT PIPE
0 PLC	±0.25	PRODUCT SPEC	SIZE: A100779C=2170773
1 PLC	±0.25	APPLICATION SPEC	RESTRICTED TO
2 PLC	±0.20	114-32023	
3 PLC	±0.100	WEIGHT	
4 PLC	±	CUSTOMER DRAWING	
ANGLES	±	SCALE 2:1	SHEET 5 OF 7
FINISH			REV A

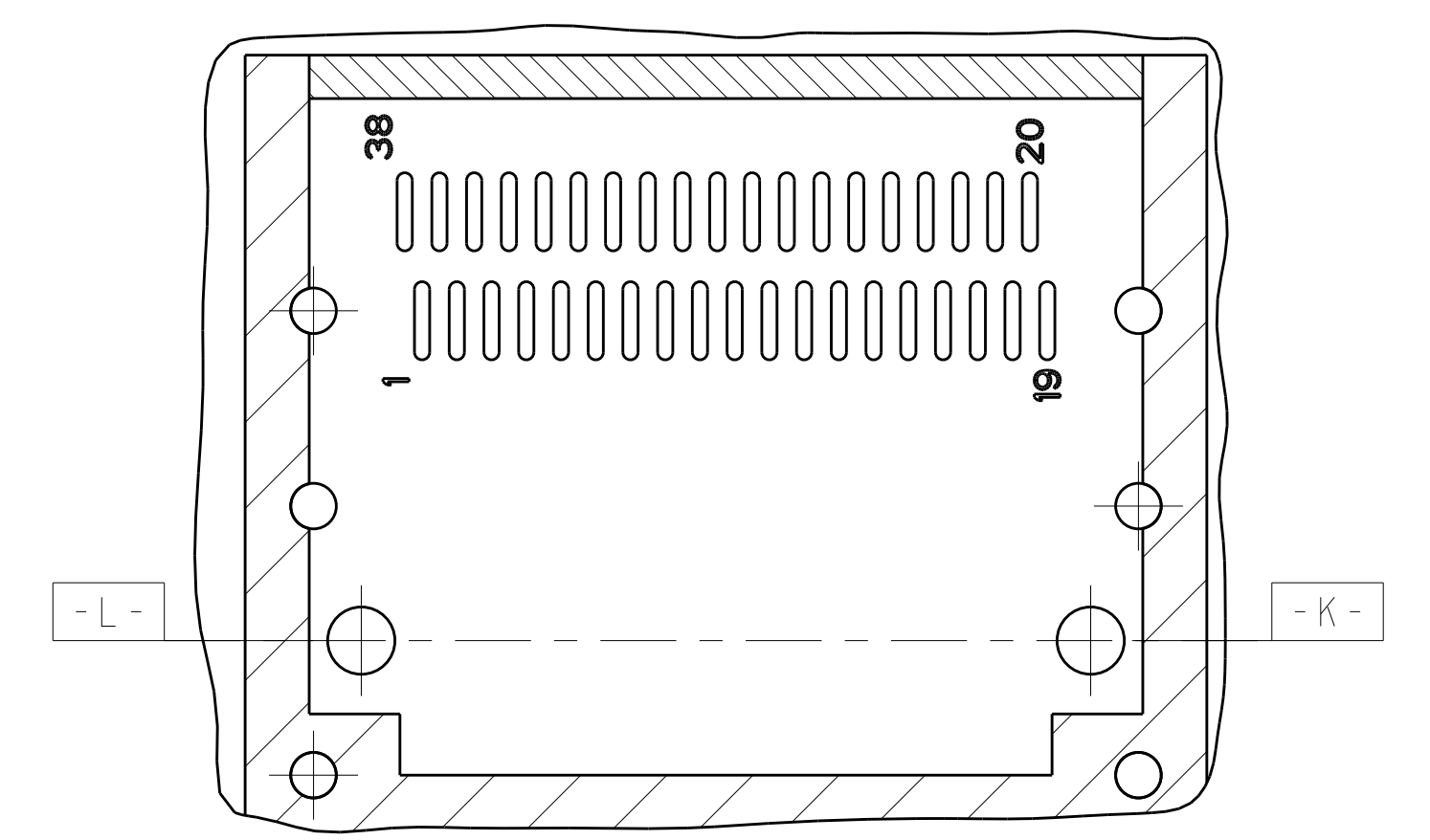
REVISIONS				
P.	LTN.	DESCRIPTION	DATE	APVD.
-	-	SEE SHEET 1	-	-



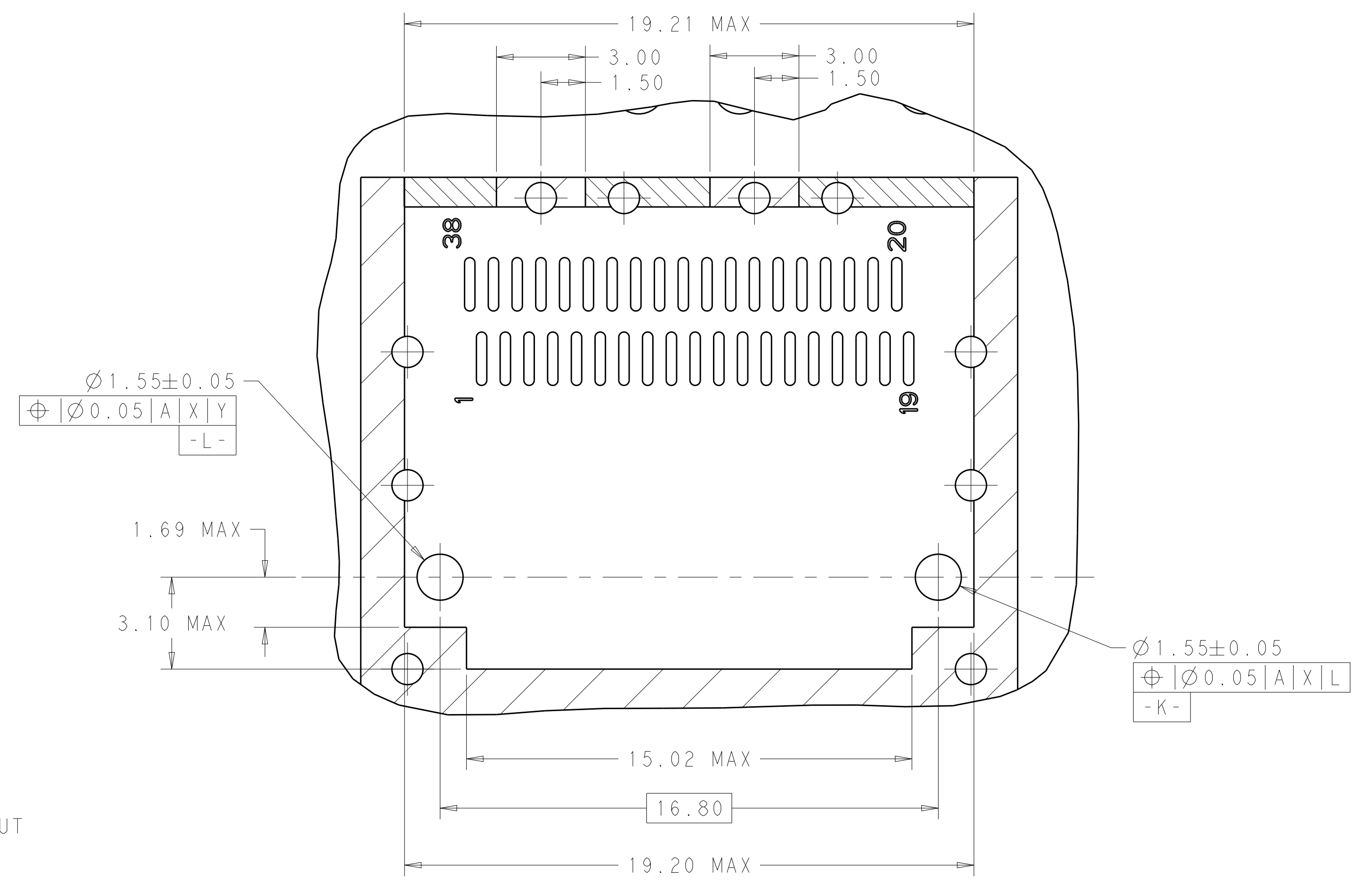
RECOMMENDED PCB LAYOUT
BELLY TO BELLY TYPE OF 2 REAR HOLES OF LEGS
PCB TOLERANCE: ±0.05
SCALE 6:1



RECOMMENDED PCB LAYOUT
BELLY TO BELLY TYPE OF 1 REAR HOLES OF LEGS
PCB TOLERANCE: ±0.05
SCALE 6:1



RECOMMENDED PCB LAYOUT
BELLY TO BELLY TYPE OF 0 REAR HOLES OF LEGS
PCB TOLERANCE: ±0.05
SCALE 6:1



DETAIL C
SCALE 8:1

THIS DRAWING IS A CONTROLLED DOCUMENT.		OWN: JASON YANG 23SEP2013	TE Connectivity
DIMENSIONS: mm		CHK: SEAN HAN 23SEP2013	
TOLERANCES UNLESS OTHERWISE SPECIFIED:		APVD: 23SEP2013	NAME: CAGE ASSEMBLY, QSPF28, THRU BEZEL WITH EMI SPRING FINGER LIGHT PIPE
0 PLC ±0.25	1 PLC ±0.25	PRODUCT SPEC 108-19428	SIZE: A100779C=2170773
2 PLC ±0.20	3 PLC ±0.100	APPLICATION SPEC 114-32023	RESTRICTED TO
4 PLC ±"	ANGLES ±"	WEIGHT	SCALE 2:1 SHEET 6 OF 7 REV A
MATERIAL	FINISH	CUSTOMER DRAWING	