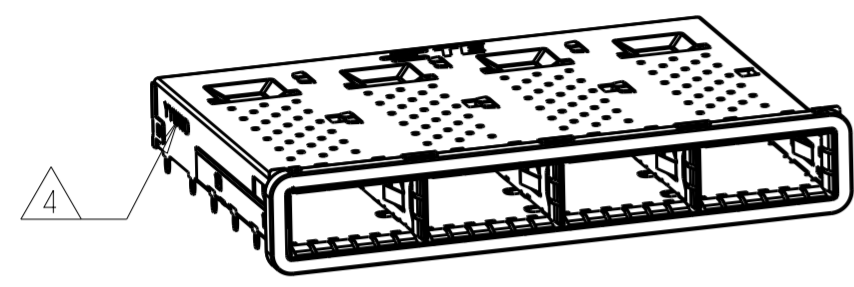
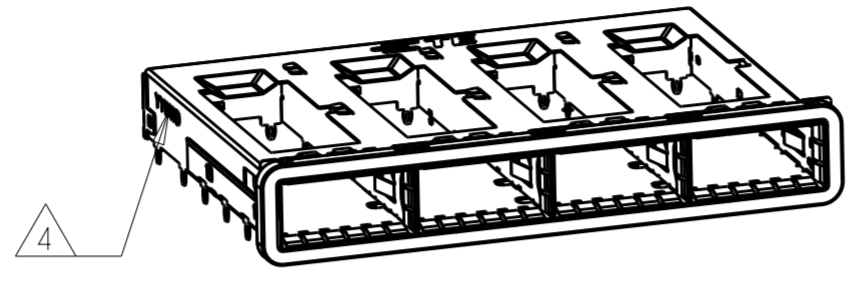


THIS DRAWING IS UNPUBLISHED. RELEASED FOR PUBLICATION 20
 © COPYRIGHT 20 BY - ALL RIGHTS RESERVED.

REVISIONS				
P	LTR	DESCRIPTION	DATE	APVD
	A	INITIAL RELEASE	02FEB2016	JY SH

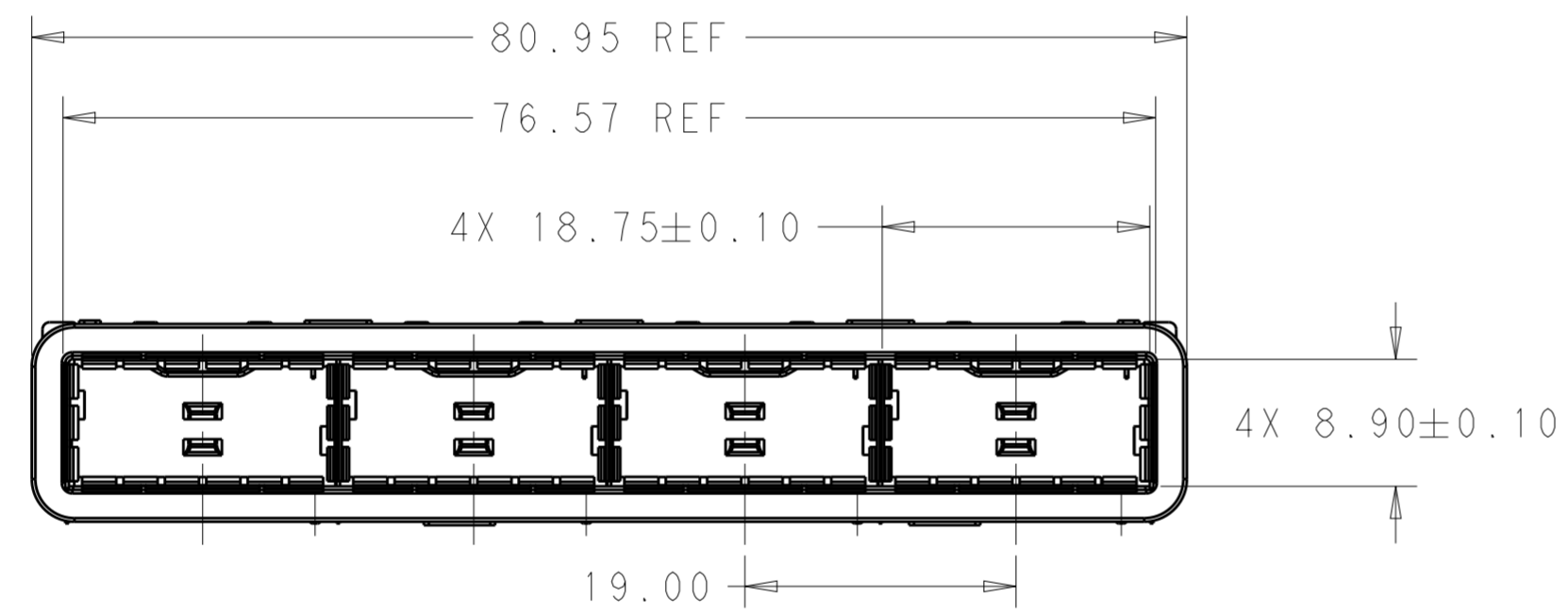


2170782-1, -4 AS SHOWN
SCALE 1:1

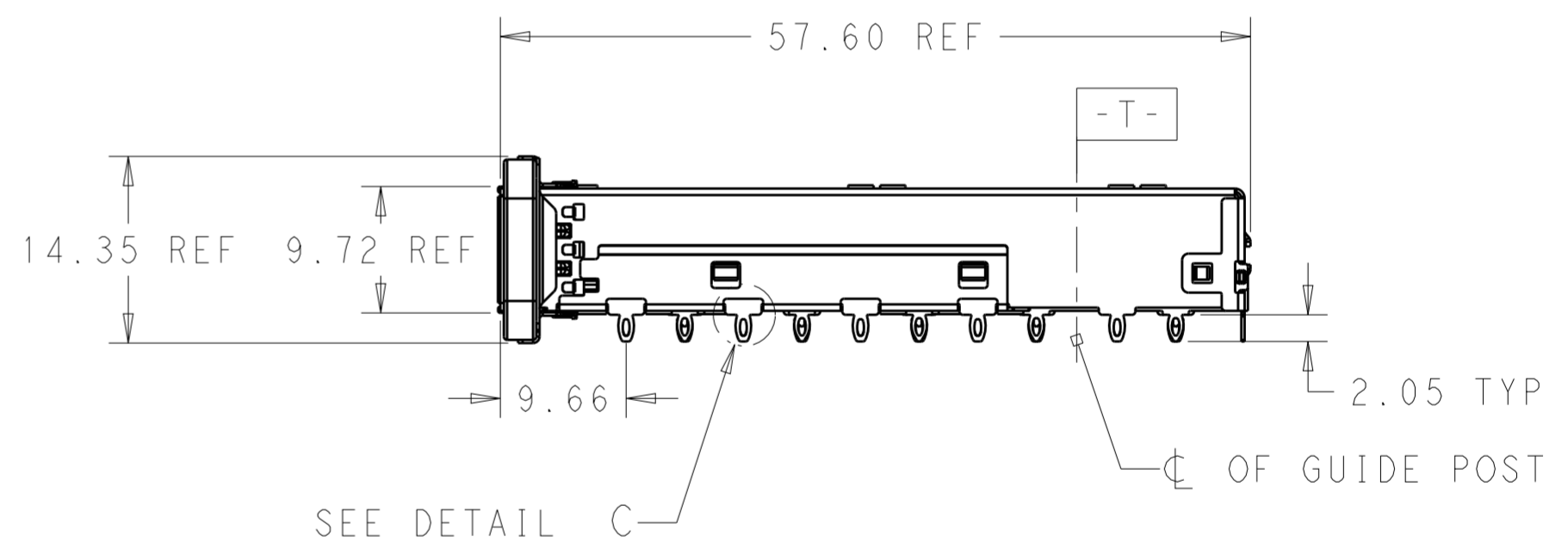


2170782-2, -5 AS SHOWN
SCALE 1:1

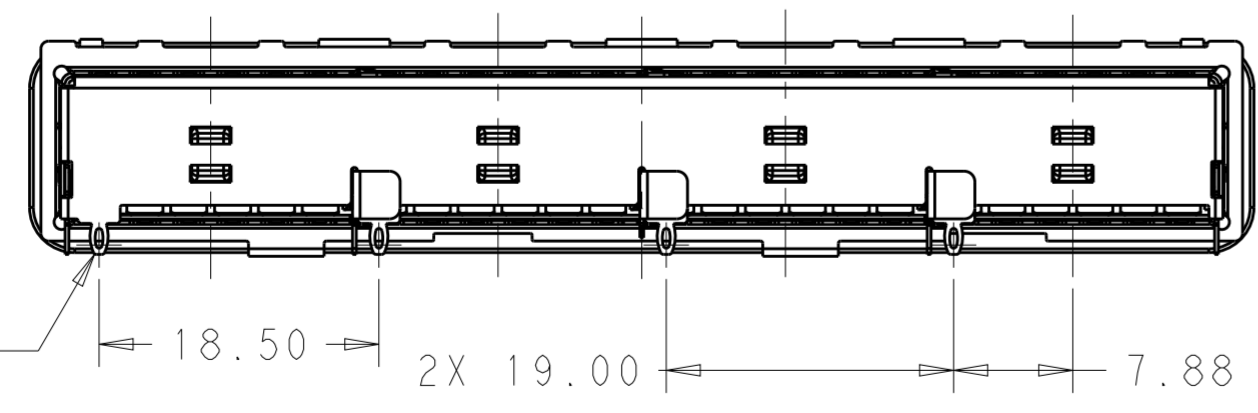
- COMPONENTS
 CAGE ASSEMBLY: NICKEL-SILVER ALLOY
 EMI SPRING: COPPER ALLOY/NICKEL PLATE
 EMI GASKET: PLATED FILLED SILICONE
- REFERENCE APPLICATION SPECIFICATION 114-32023 FOR RECOMMENDED DRILL HOLE DIAMETER AND PLATING THICKNESS
- DATUM AND BASIC DIMENSION ESTABLISHED BY CUSTOMER
- DATE CODE (YYWWD) MARKED APPROXIMATELY AS SHOWN.
- MATES WITH QSFP28 MSA COMPATIBLE TRANSCEIVER.
- MINIMUM PC BOARD THICKNESS: SINGLE SIDED: 1.57 MIN
 DOUBLE SIDED: 3.00 MIN
- DATUM **-A-** IS TOP SURFACE OF THE HOST BOARD.
- THESE HOLES ARE OPTIONAL WHEN THE REAR PINS ARE REMOVED.



SCALE 2:1

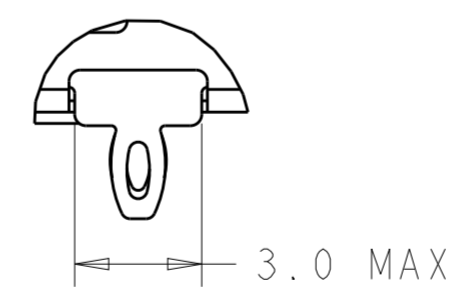


SEE DETAIL C



REAR PINS
OPTIONAL

BACK VIEW
SCALE 2:1



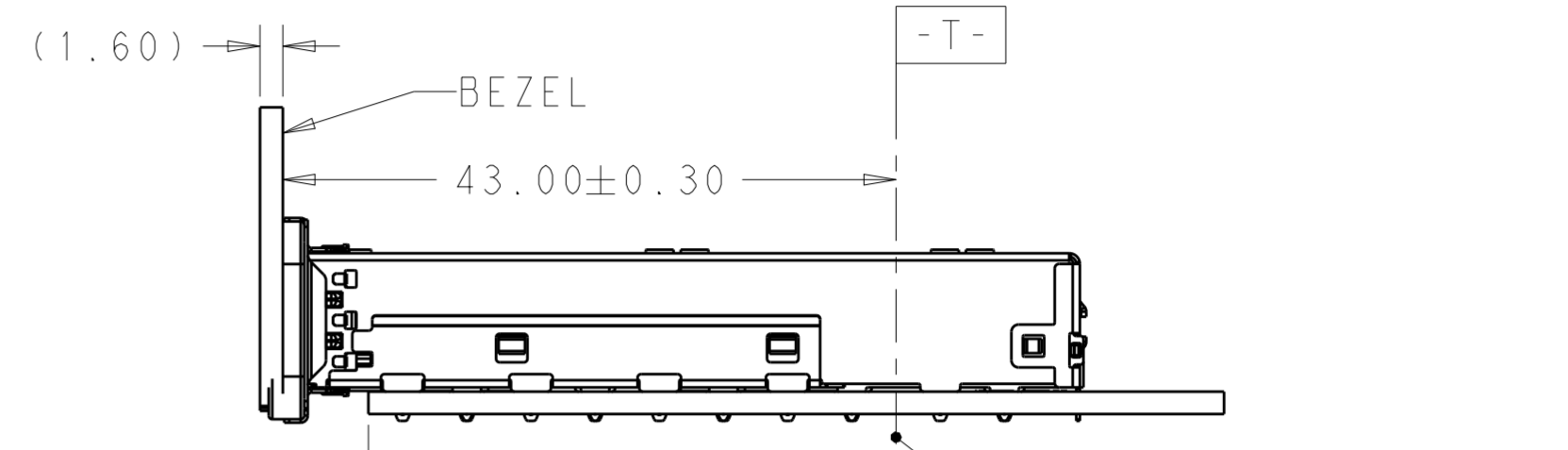
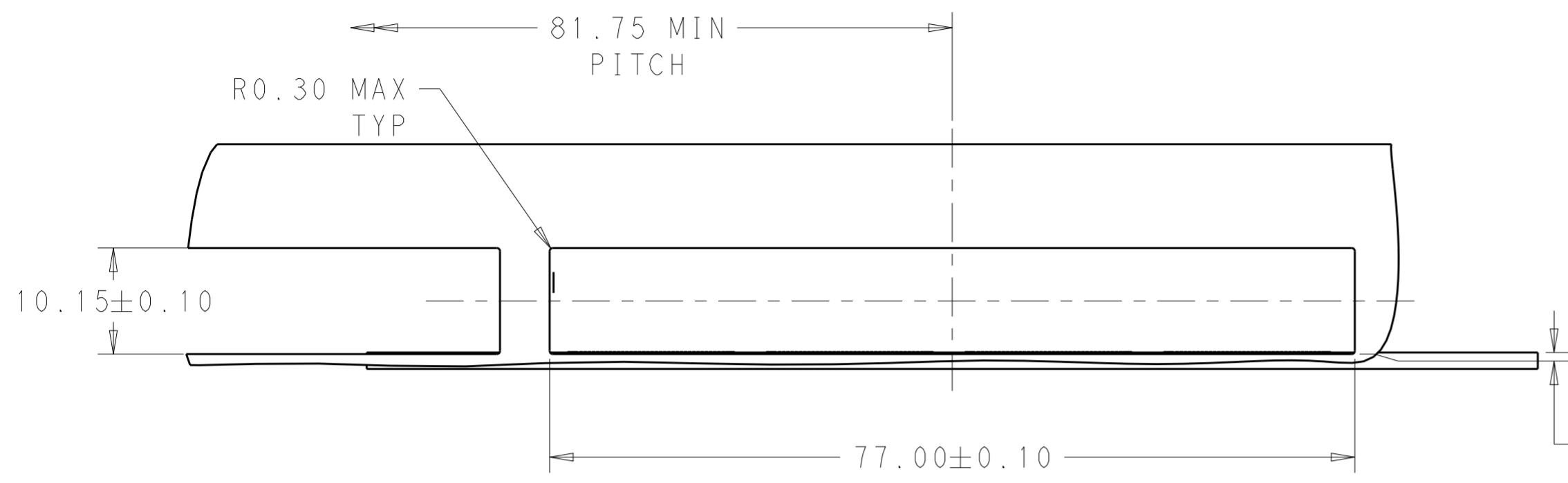
DETAIL C
SCALE 6:1

WITHOUT	WITH	2170782-5
WITHOUT	WITHOUT	2170782-4
WITH	WITH	2170782-2
WITH	WITHOUT	2170782-1
REAR PIN OPTIONAL	HEAT SINK OPEN OPTIONAL	PART NUMBER

THIS DRAWING IS A CONTROLLED DOCUMENT.		DWN 08JUL2014 JASON YANG	TE Connectivity	
		CHK 02FEB2016 SEAN HAN		
DIMENSIONS: mm		TOLERANCES UNLESS OTHERWISE SPECIFIED:		NAME RECEPTACLE CAGE ASSEMBLY THRU BEZEL, 1X4, QSFP28, GASKET
		0 PLC ±	1 PLC ±0.25	PRODUCT SPEC 108-19428
MATERIAL SEE NOTES		2 PLC ±0.2	3 PLC ±	APPLICATION SPEC 114-32023
		4 PLC ±	ANGLES ±	SIZE A200779
		FINISH	SEE NOTES	CAGE CODE C-2170782
				DRAWING NO C-2170782
				RESTRICTED TO
				SCALE 1:1 SHEET 1 OF 5 REV A

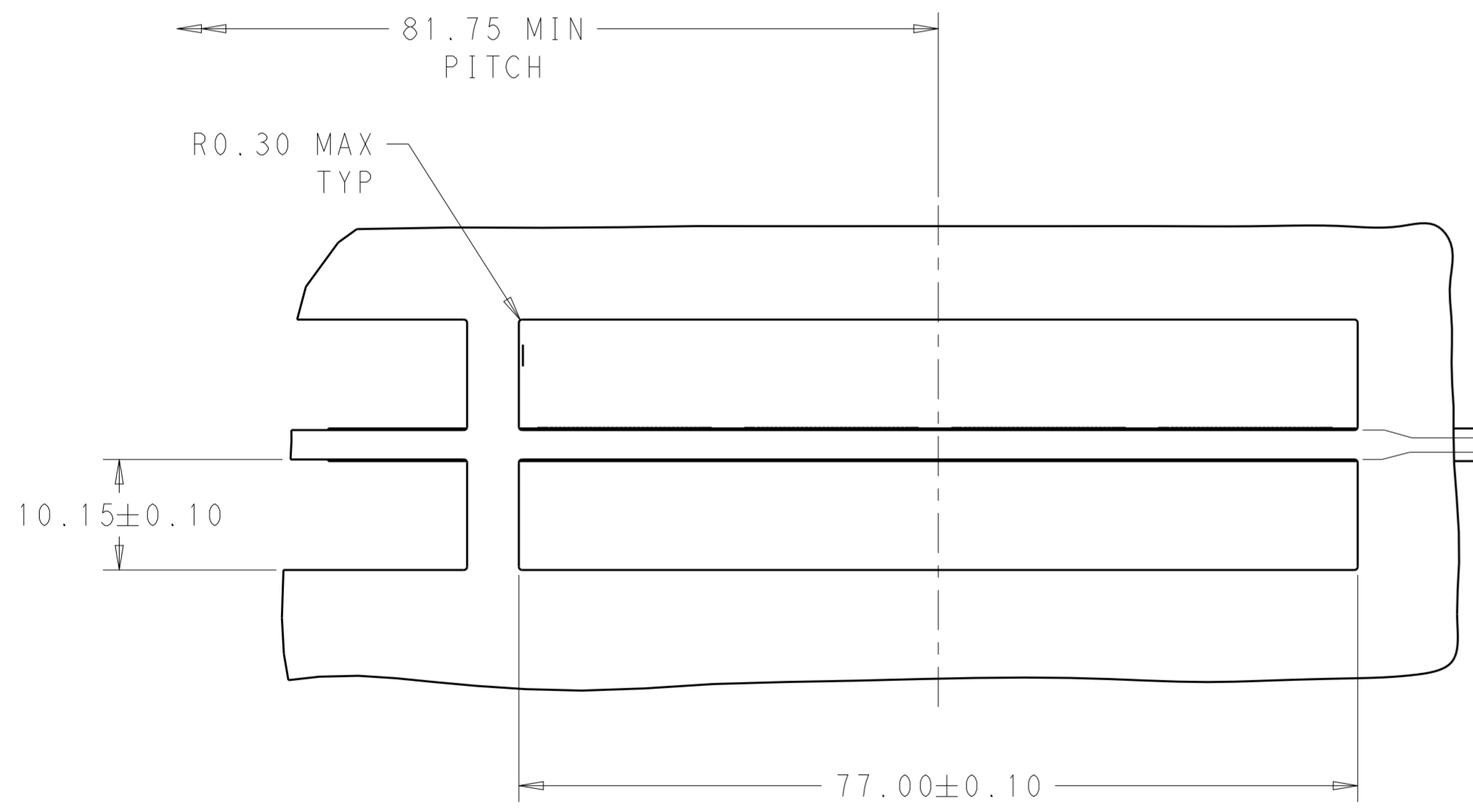
THIS DRAWING IS UNPUBLISHED. RELEASED FOR PUBLICATION 20
 © COPYRIGHT 20 BY - ALL RIGHTS RESERVED.

REVISIONS				
P	LTR	DESCRIPTION	DATE	APVD
-	-	SEE SHEET 1	-	-



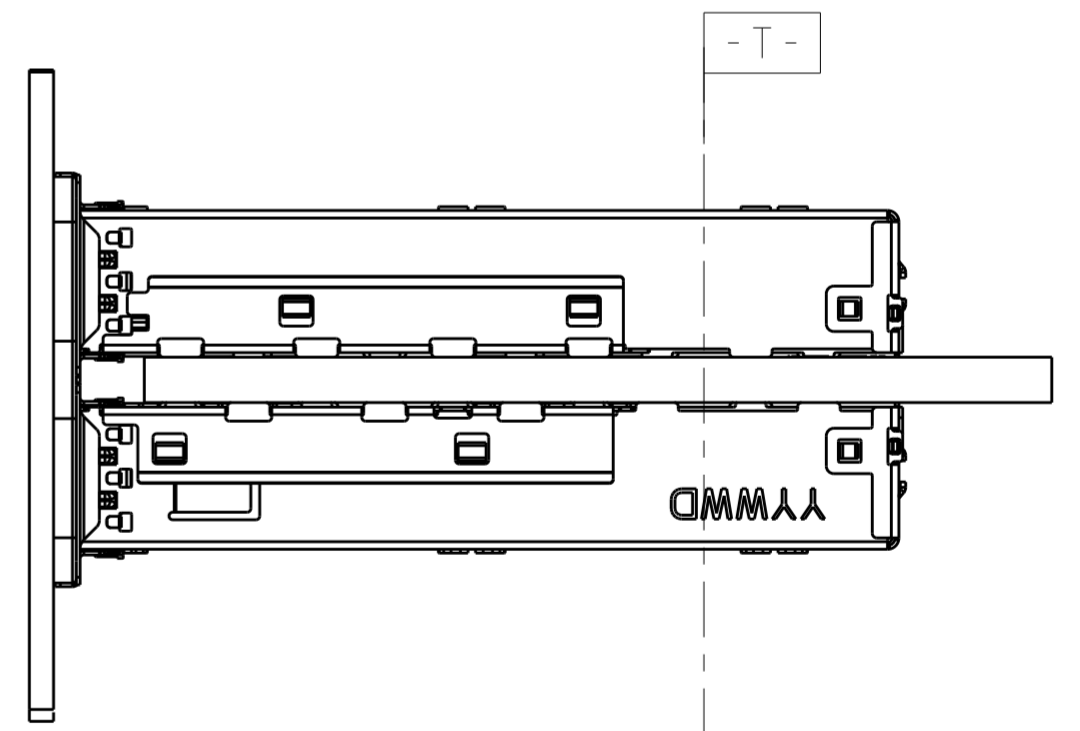
0.15±0.10
 (BOTTOM OF CUT-OUT
 IN BEZEL TO TOP PCB)

SINGLE SIDE MOUNTING
 SCALE 2:1



0.15±0.10
 (BOTTOM OF CUT-OUT
 IN BEZEL TO TOP PCB)

0.15±0.10
 (TOP OF CUT-OUT
 IN BEZEL TO BOTTOM PCB)

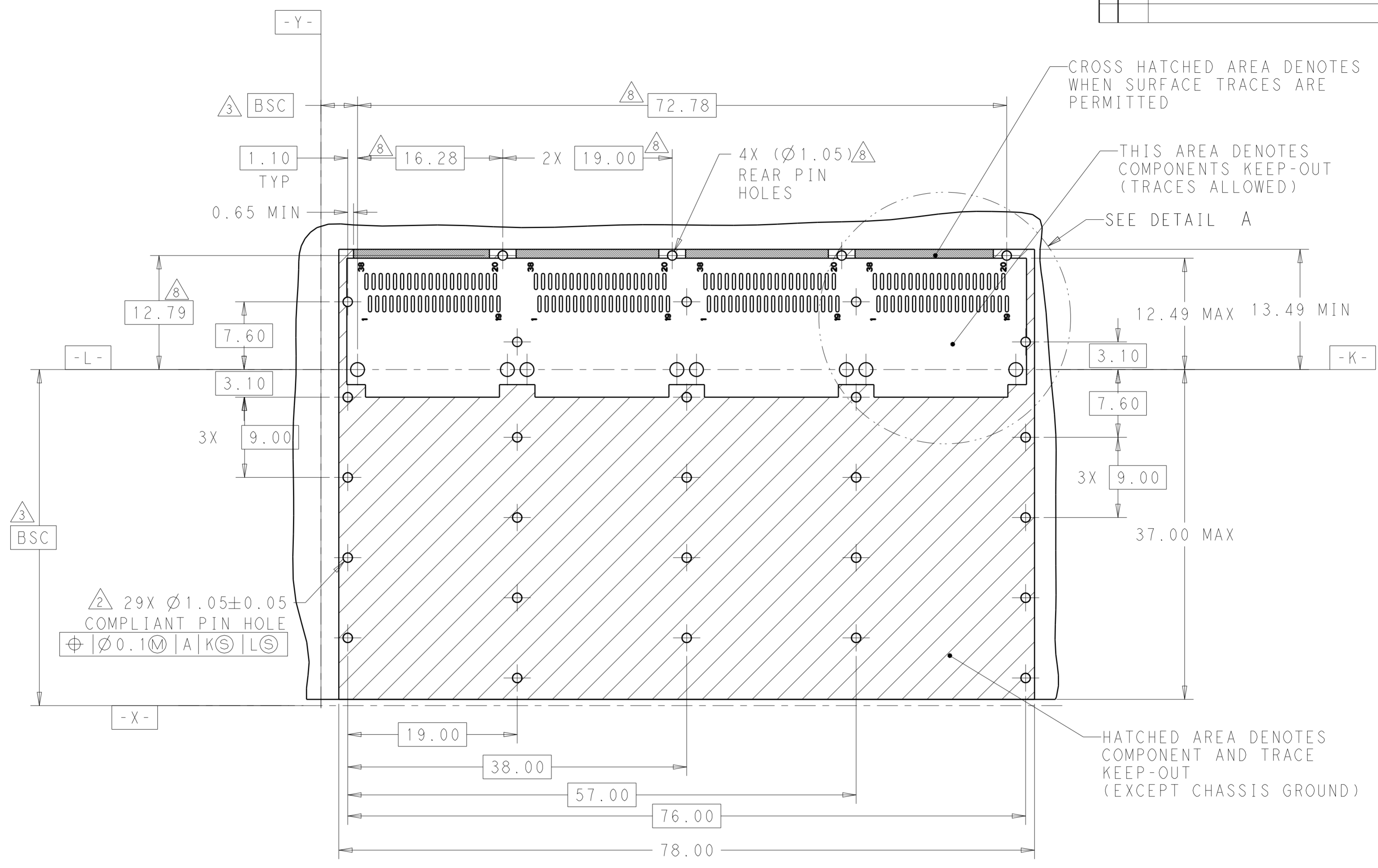


BELLY TO BELLY MOUNTING
 SCALE 2:1

THIS DRAWING IS A CONTROLLED DOCUMENT.		DWN 08JUL2014 JASON YANG	STE TE Connectivity	
		CHK 02FEB2016 SEAN HAN		
DIMENSIONS: mm		TOLERANCES UNLESS OTHERWISE SPECIFIED:		NAME RECEPTACLE CAGE ASSEMBLY THRU BEZEL, 1X4, QSFP28, GASKET
0 PLC ±		1 PLC ±0.25		PRODUCT SPEC 108-19428
2 PLC ±0.2		3 PLC ±		APPLICATION SPEC 114-32023
4 PLC ±		ANGLES ±		SIZE A200779
FINISH		FINISH		CAGE CODE C-2170782
MATERIAL SEE NOTES		MATERIAL SEE NOTES		DRAWING NO C-2170782
		CUSTOMER DRAWING		RESTRICTED TO -
		SCALE 1:1		SHEET 2 OF 5
				REV A

THIS DRAWING IS UNPUBLISHED. RELEASED FOR PUBLICATION 20
 © COPYRIGHT 20 BY - ALL RIGHTS RESERVED.

REVISIONS				
P	LTR	DESCRIPTION	DATE	APVD
-	-	SEE SHEET 1	-	-



CROSS HATCHED AREA DENOTES WHEN SURFACE TRACES ARE PERMITTED

THIS AREA DENOTES COMPONENTS KEEP-OUT (TRACES ALLOWED)

SEE DETAIL A

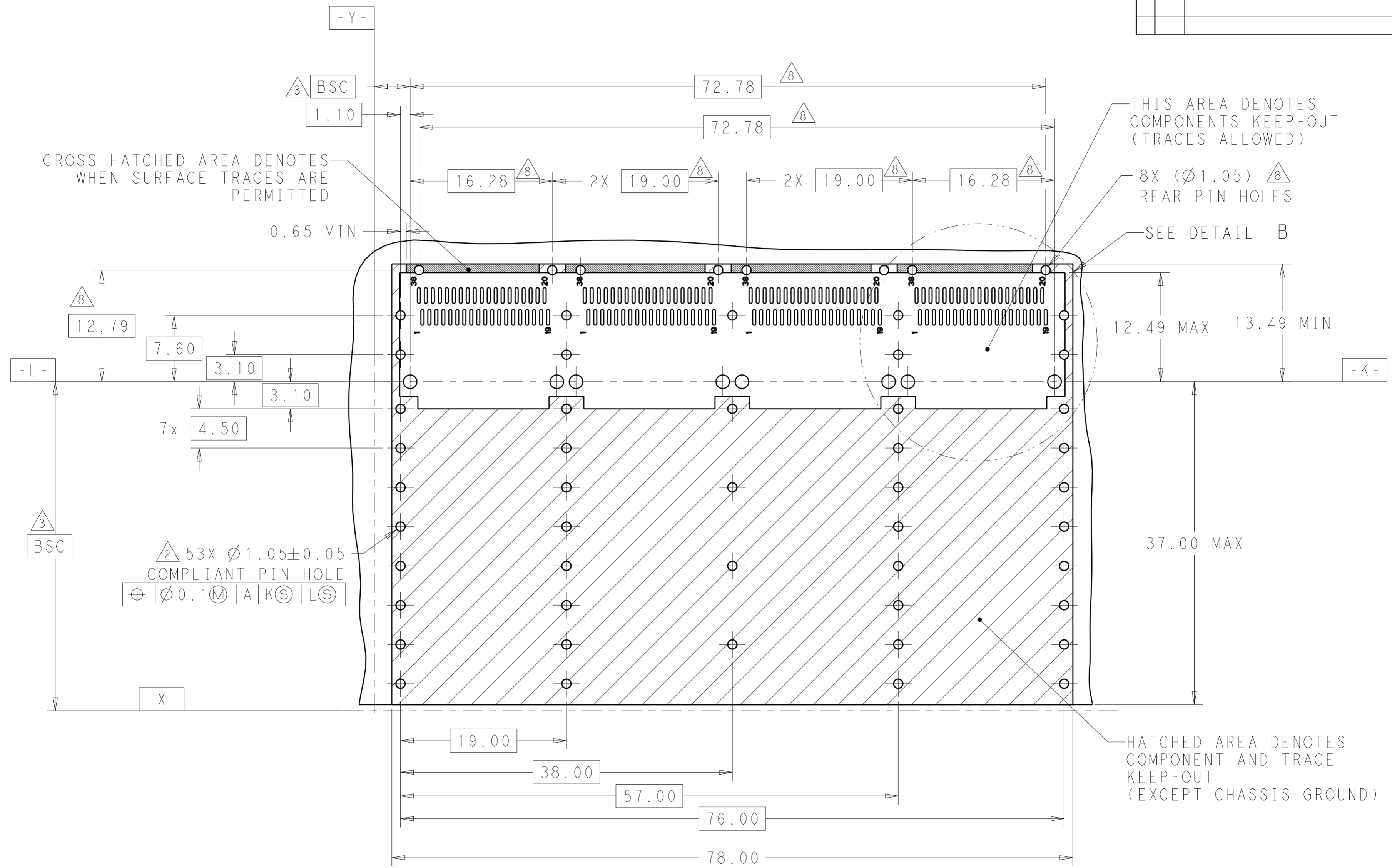
HATCHED AREA DENOTES COMPONENT AND TRACE KEEP-OUT (EXCEPT CHASSIS GROUND)

RECOMMENDED PCB LAYOUT
 SINGLE TYPE
 PCB TOLERANCE: ±0.05
 SCALE 3:1

THIS DRAWING IS A CONTROLLED DOCUMENT.		DWN 08JUL2014 JASON YANG	TE Connectivity	
		CHK 02FEB2016 SEAN HAN		
DIMENSIONS: mm		APVD -	NAME RECEPTACLE CAGE ASSEMBLY THRU BEZEL, 1X4, QSFP28, GASKET	
TOLERANCES UNLESS OTHERWISE SPECIFIED:		PRODUCT SPEC 108-19428	RESTRICTED TO -	
0 PLC ±-		APPLICATION SPEC 114-32023	SIZE A200779	DRAWING NO C-2170782
1 PLC ±0.25		WEIGHT -	SCALE 1:1 SHEET 3 OF 5 REV A	
2 PLC ±0.2		CUSTOMER DRAWING		
3 PLC ±-				
4 PLC ±-				
ANGLES ±-				
FINISH SEE NOTES				

THIS DRAWING IS UNPUBLISHED. RELEASED FOR PUBLICATION 20
 © COPYRIGHT 20 BY - ALL RIGHTS RESERVED.

REVISIONS				
P	LTR	DESCRIPTION	DATE	APVD
-	-	SEE SHEET 1	-	-



RECOMMENDED PCB LAYOUT
 BELLY TO BELLY TYPE
 PCB TOLERANCE: ±0.05
 SCALE 3:1

THIS DRAWING IS A CONTROLLED DOCUMENT.		DWN JASON YANG 08JUL2014	TE Connectivity	
		CHK SEAN HAN 02FEB2016		
DIMENSIONS: mm		TOLERANCES UNLESS OTHERWISE SPECIFIED:		NAME RECEPTACLE CAGE ASSEMBLY THRU BEZEL, 1X4, QSFP28, GASKET
		0 PLC ± 1 PLC ±0.25 2 PLC ±0.2 3 PLC ± 4 PLC ± ANGLES ± FINISH ±		PRODUCT SPEC 108-19428
MATERIAL SEE NOTES		APPLICATION SPEC 114-32023		SIZE A200779
		CUSTOMER DRAWING		DRAWING NO C-2170782
		SCALE 1:1		RESTRICTED TO -
		SHEET 4 OF 5		REV A