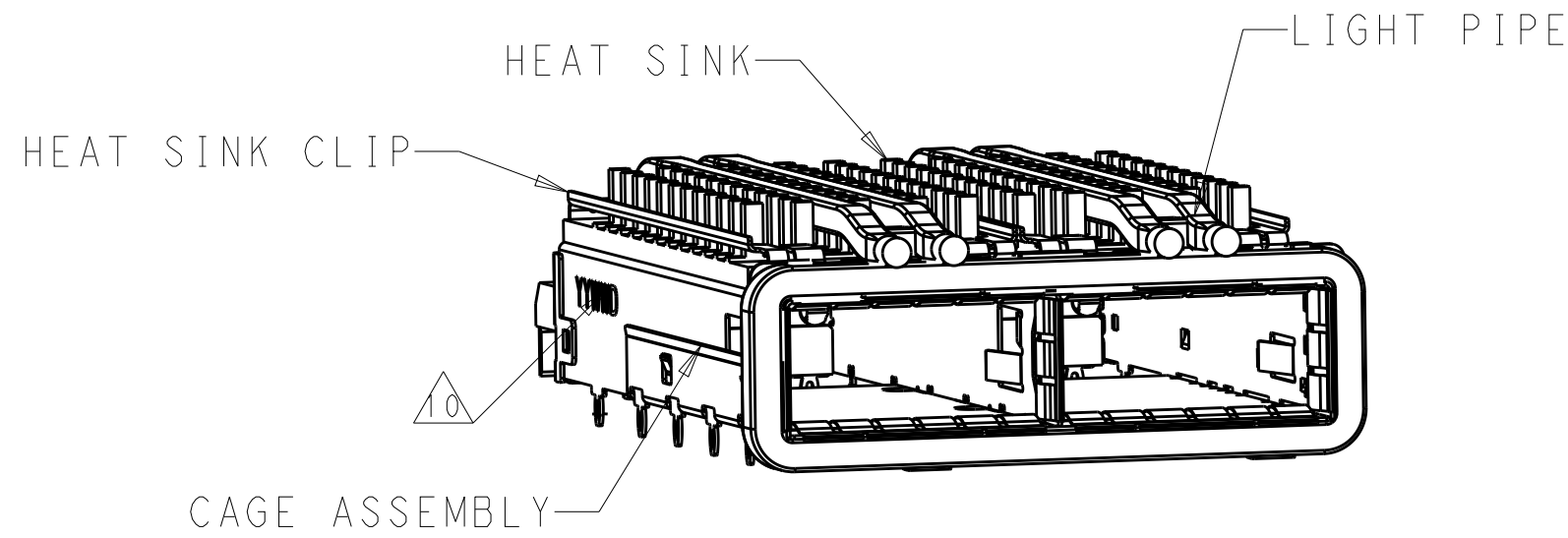


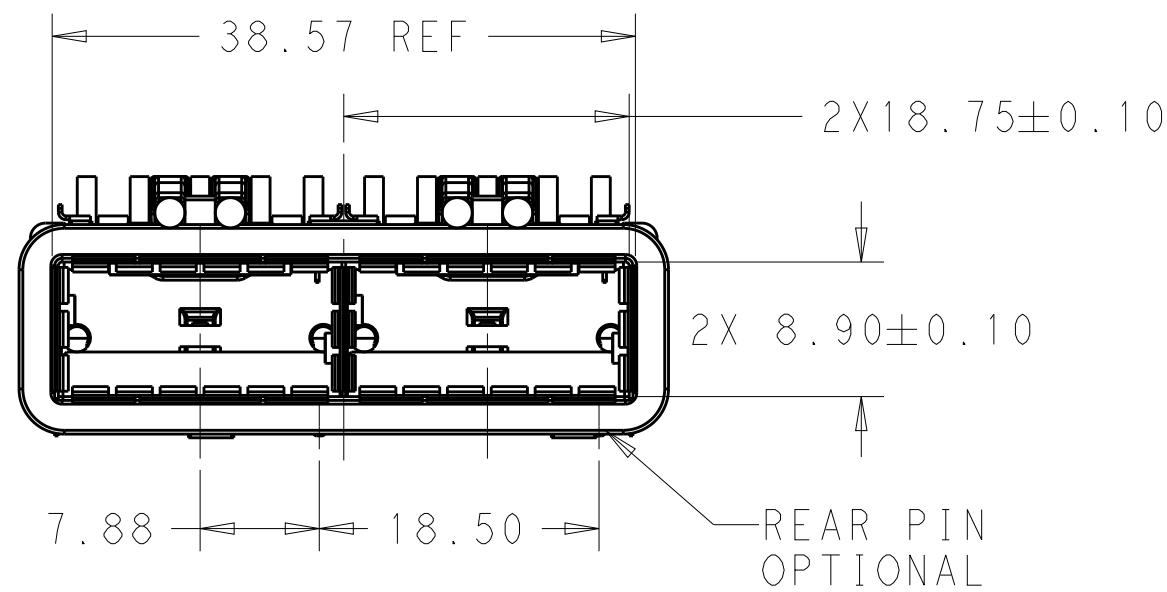
THIS DRAWING IS UNPUBLISHED. RELEASED FOR PUBLICATION 20
 © COPYRIGHT 20 BY - ALL RIGHTS RESERVED.

LOC	DIST	REVISIONS			
P	LTR	DESCRIPTION	DATE	DWN	APVD
GP	00	A	RELEASE	09NOV2016	JY SH

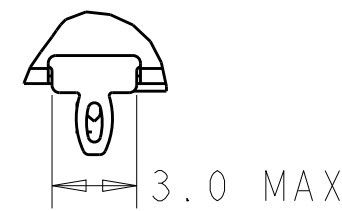
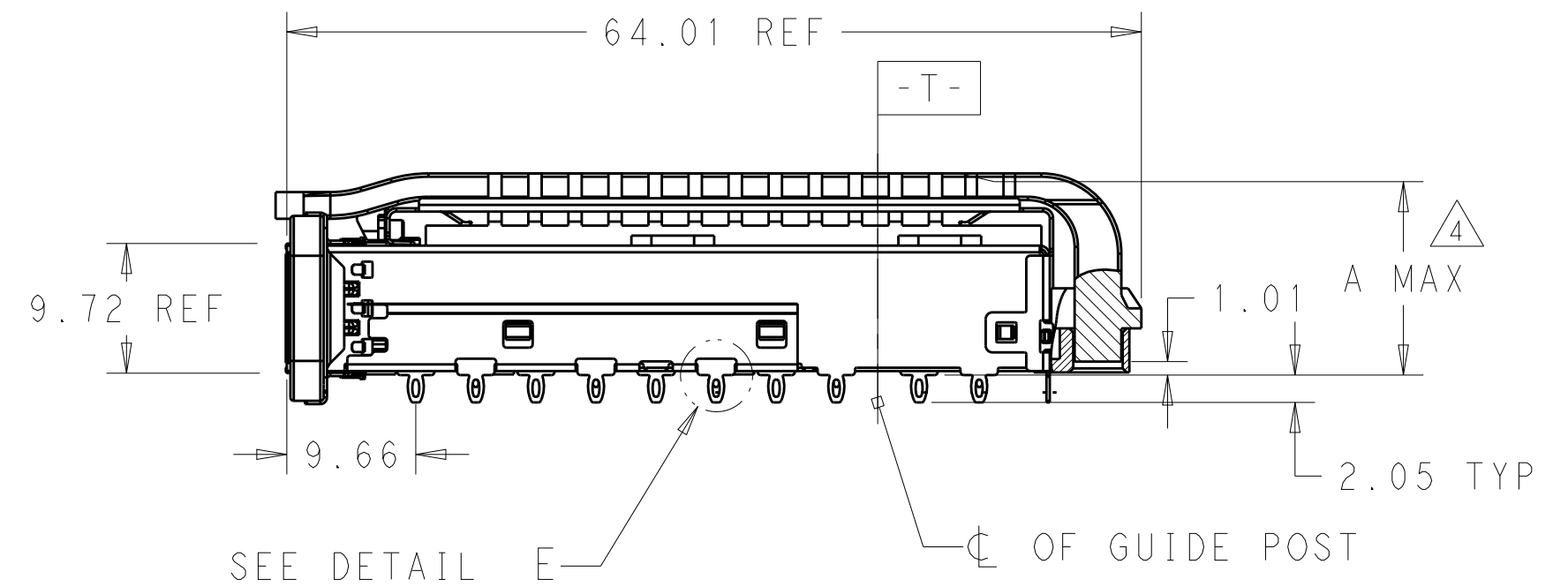


2-2170814-2 AS SHOWN
 SCALE 2:1

- COMPONENTS
 CAGE ASSEMBLY: NICKEL-SILVER ALLOY
 HEAT SINK: ALUMINUM/BLACK ANODIZE
 HEAT SINK CLIP: STAINLESS STEEL
 EMI SPRING: COPPER ALLOY/NICKEL PLATE
 LIGHT PIPE: CLEAR POLYCARBONATE
 GASKET: PLATED FILLED SILICONE
- REFERENCE APPLICATION SPECIFICATION 114-32023 FOR RECOMMENDED DRILL HOLE DIAMETER AND PLATING THICKNESS
- DATUM AND BASIC DIMENSION ESTABLISHED BY CUSTOMER
- DIMENSION APPLIES WITH MODULE INSERTED IN CAGE
- HEAT SINKS, HEAT SINK CLIPS AND LIGHT PIPES ARE SHIPPED ASSEMBLED ON CAGE
- MINIMUM PC BOARD THICKNESS: SINGLE SIDED: 1.57 MIN
 DOUBLE SIDED: 3.00 MIN
- DATUM -A- IS TOP SURFACE OF THE HOST BOARD.
- THESE HOLES ARE OPTIONAL WHEN THE REAR PINS ARE REMOVED.
- MATES WITH QSFP28 MSA COMPATIBLE TRANSCEIVER.
- DATE CODE (YYWWD) MARKED APPROXIMATELY AS SHOWN.
- NOTED DIMENSIONS ONLY APPLY TO CAGE ASSEMBLY WITH LIGHT PIPE.



SCALE 2:1



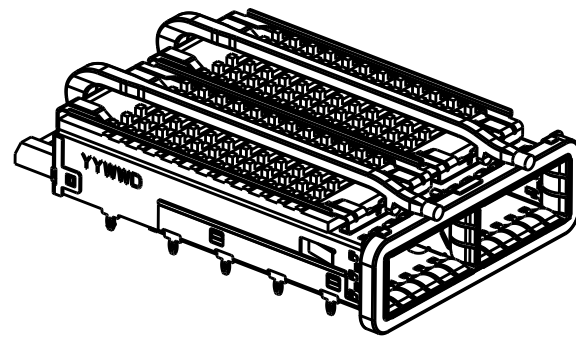
DETAIL E
 SCALE 4:1

THIS DRAWING IS A CONTROLLED DOCUMENT.		DWN BING LIU 16SEP2014	STE TE Connectivity	
		CHK JASON YANG 16SEP2014		
DIMENSIONS: mm		APVD SEAN HAN 09NOV2016	NAME RECEPTACLE CAGE ASSEMBLY WITH HEAT SINKS AND LIGHT PIPES, THRU BEZEL, 1X2, QSFP28, GASKET	
TOLERANCES UNLESS OTHERWISE SPECIFIED: 0 PLC ± 1 PLC ±0.25 2 PLC ±0.2 3 PLC ± 4 PLC ± ANGLES ± FINISH ±		PRODUCT SPEC 108-19428	SIZE A200779	
MATERIAL SEE NOTES		APPLICATION SPEC 114-32023	DRAWING NO C-2170814	
SEE NOTES		WEIGHT -	RESTRICTED TO -	
		CUSTOMER DRAWING	SCALE 1:1	SHEET 1 OF 9 REV A

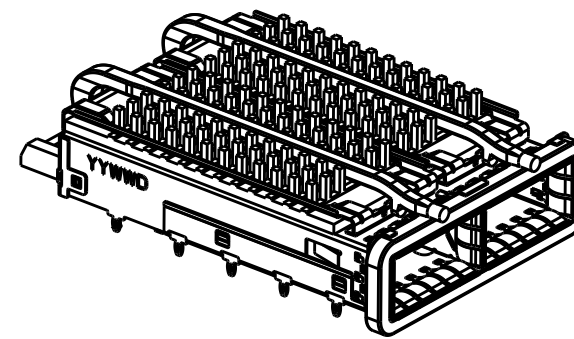
THIS DRAWING IS UNPUBLISHED. RELEASED FOR PUBLICATION 20
 © COPYRIGHT 20 BY - ALL RIGHTS RESERVED.

LOC		DIST		REVISIONS			
P	LTR	DESCRIPTION		DATE	DWN	APVD	
-		SEE SHEET 1		-	-	-	

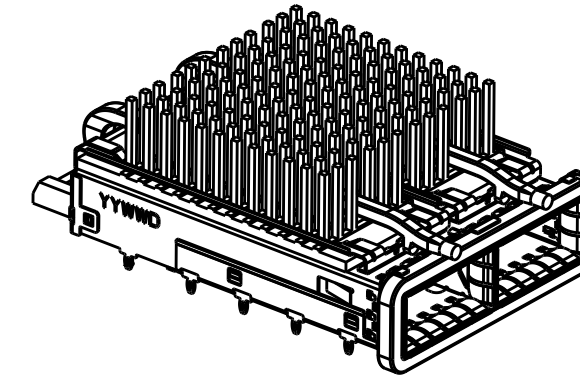
HEAT SINK OPTION



PCI HEAT SINK HEIGHT
SCALE 1:1

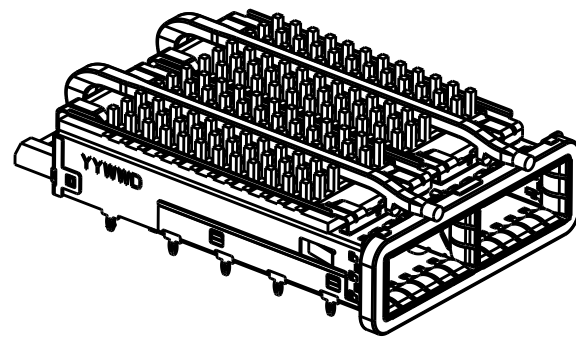


SAN HEAT SINK HEIGHT
SCALE 1:1

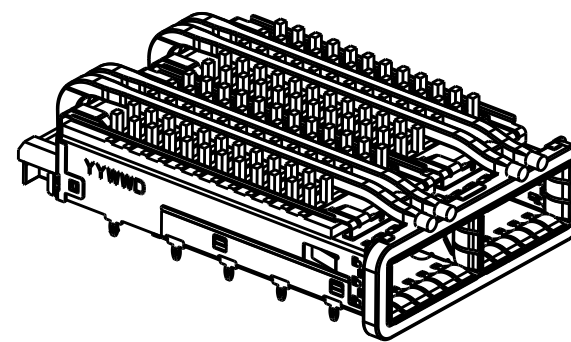


NETWORKING HEAT SINK HEIGHT
SCALE 1:1

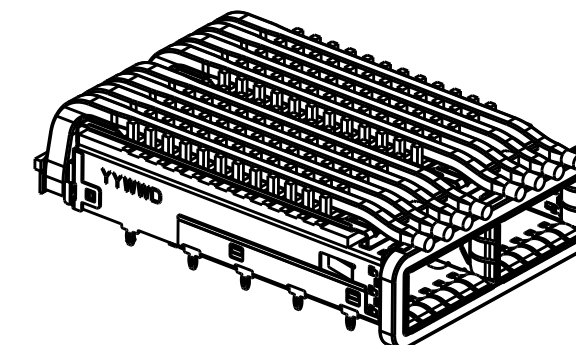
LIGHT PIPE OPTION



SINGLE LIGHT PIPE
SCALE 1:1

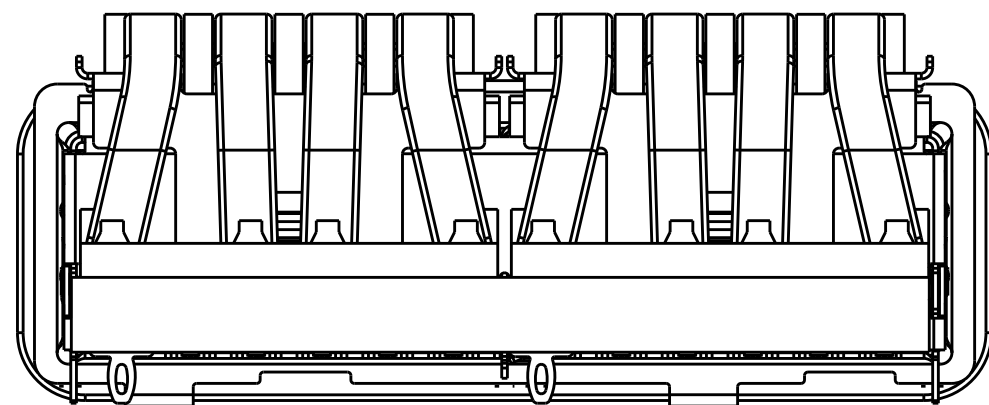


DUAL LIGHT PIPE
SCALE 1:1

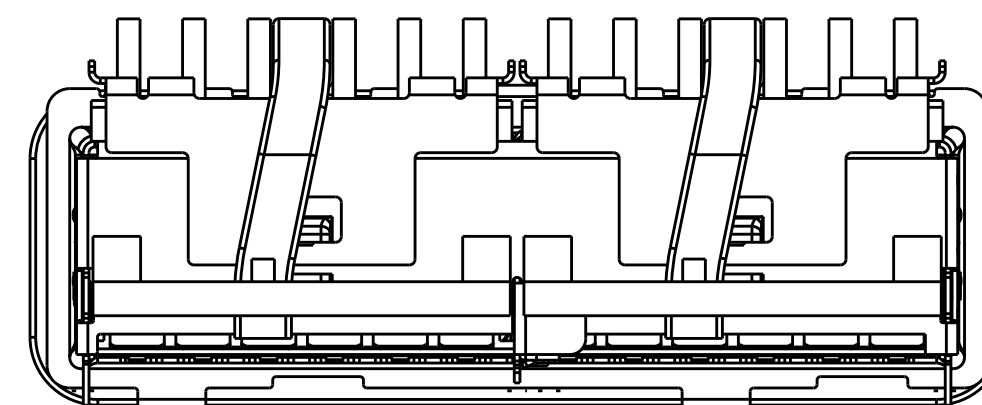


QUAD LIGHT PIPE
SCALE 1:1

OF REAR PIN OPTION



1 REAR PIN
SCALE 3:1




0 REAR PIN
SCALE 3:1

THIS DRAWING IS A CONTROLLED DOCUMENT.		DWN BING LIU 16SEP2014	STE TE Connectivity
		CHK JASON YANG 16SEP2014	
		APVD SEAN HAN 09NOV2016	NAME RECEPTACLE CAGE ASSEMBLY WITH HEAT SINKS AND LIGHT PIPES, THRU BEZEL, 1X2, QSFP28, GASKET
DIMENSIONS: mm		PRODUCT SPEC 108-19428	SIZE A2
TOLERANCES UNLESS OTHERWISE SPECIFIED: 0 PLC ± 1 PLC ±0.25 2 PLC ±0.2 3 PLC ± 4 PLC ± ANGLES ±		APPLICATION SPEC 114-32023	CAGE CODE 00779
MATERIAL SEE NOTES material_2		FINISH SEE NOTES finish_spec_2	DRAWING NO C-2170814
		WEIGHT -	RESTRICTED TO -
		CUSTOMER DRAWING	SCALE 1:1 SHEET 2 OF 9 REV A

THIS DRAWING IS UNPUBLISHED. RELEASED FOR PUBLICATION 20
 © COPYRIGHT 20 BY - ALL RIGHTS RESERVED.

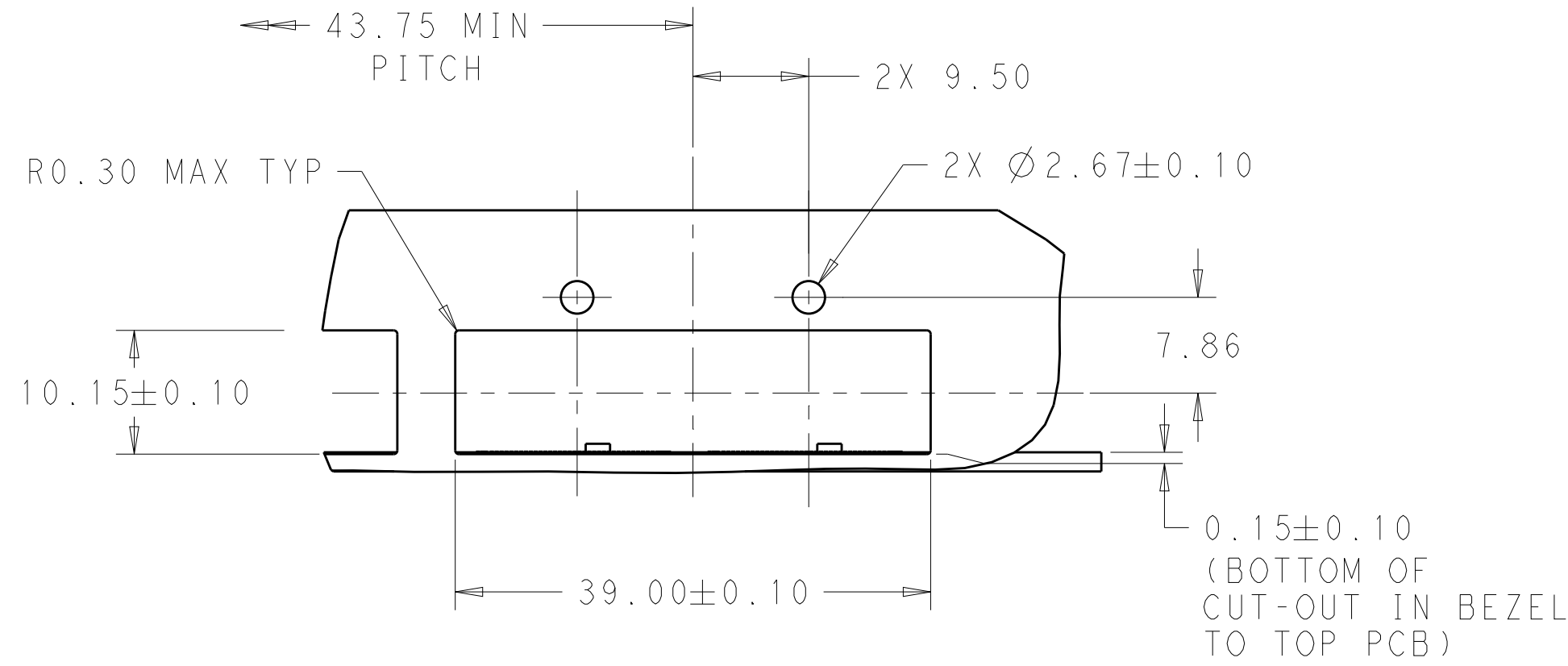
LOC		DIST		REVISIONS			
P	LTR	DESCRIPTION	DATE	DWN	APVD		
-		SEE SHEET 1	-	-	-		

0	23.0	NETWORKING	QUAD	4-2170814-6
0	16.0	SAN	QUAD	4-2170814-5
0	13.7	PCI	QUAD	4-2170814-4
1	23.0	NETWORKING	QUAD	4-2170814-3
1	16.0	SAN	QUAD	4-2170814-2
1	13.7	PCI	QUAD	4-2170814-1
0	23.0	NETWORKING	DUAL	2-2170814-6
0	16.0	SAN	DUAL	2-2170814-5
0	13.7	PCI	DUAL	2-2170814-4
1	23.0	NETWORKING	DUAL	2-2170814-3
1	16.0	SAN	DUAL	2-2170814-2
1	13.7	PCI	DUAL	2-2170814-1
0	23.0	NETWORKING	SINGLE	2170814-6
0	16.0	SAN	SINGLE	2170814-5
0	13.7	PCI	SINGLE	2170814-4
1	23.0	NETWORKING	SINGLE	2170814-3
1	16.0	SAN	SINGLE	2170814-2
1	13.7	PCI	SINGLE	2170814-1
# OF REAR PIN	DIM A	APPLICATION	LIGHT PIPE OPTION	PART NUMBER

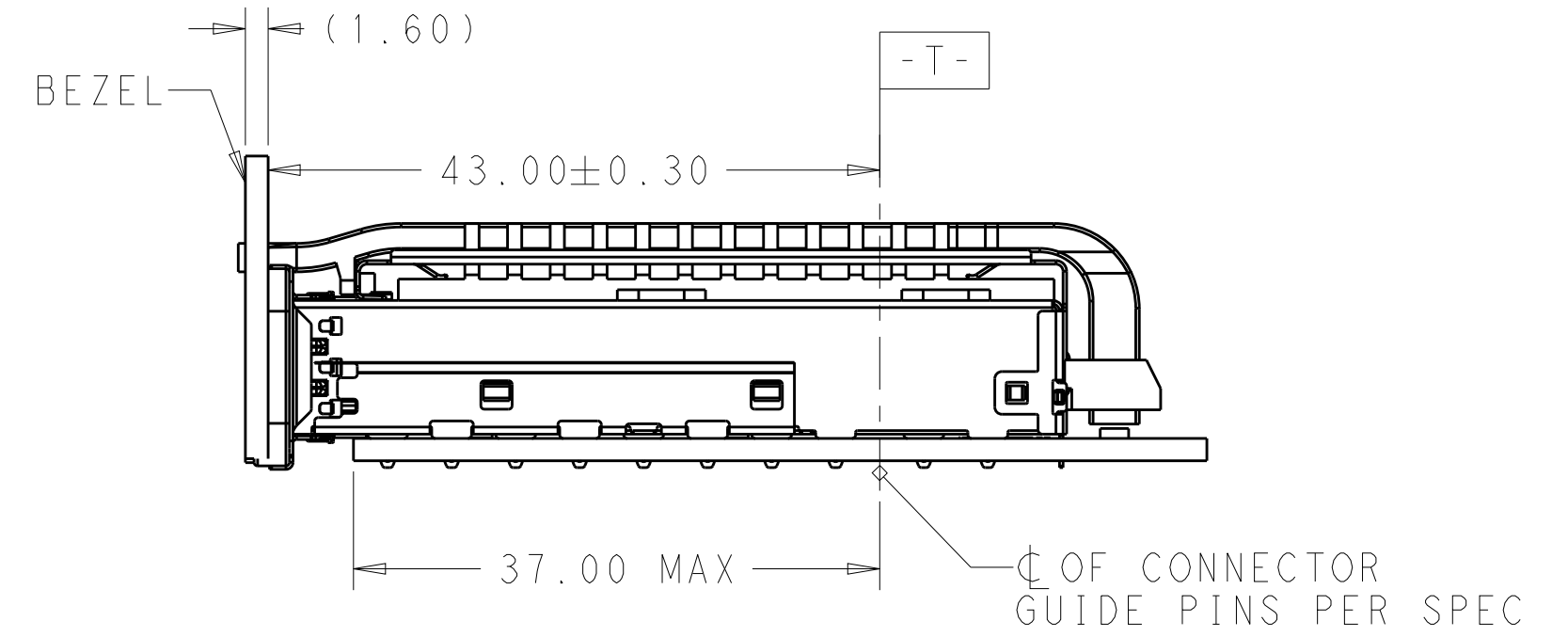
THIS DRAWING IS A CONTROLLED DOCUMENT.		DWN BING LIU 16SEP2014	 TE Connectivity	
DIMENSIONS: mm		CHK JASON YANG 16SEP2014		
TOLERANCES UNLESS OTHERWISE SPECIFIED: 0 PLC ± 1 PLC ±0.25 2 PLC ±0.2 3 PLC ± 4 PLC ±		APVD SEAN HAN 09NOV2016	NAME RECEPTACLE CAGE ASSEMBLY WITH HEAT SINKS AND LIGHT PIPES, THRU BEZEL, 1X2, QSFP28, GASKET	
MATERIAL SEE NOTES material_2		FINISH SEE NOTES finish_spec_2	PRODUCT SPEC 108-19428	RESTRICTED TO -
		APPLICATION SPEC 114-32023	SIZE A2	CAGE CODE 00779
		WEIGHT -	DRAWING NO C-2170814	
		CUSTOMER DRAWING	SCALE 1:1	SHEET 3 OF 9
				REV A

THIS DRAWING IS UNPUBLISHED. RELEASED FOR PUBLICATION 20
 © COPYRIGHT 20 BY - ALL RIGHTS RESERVED.

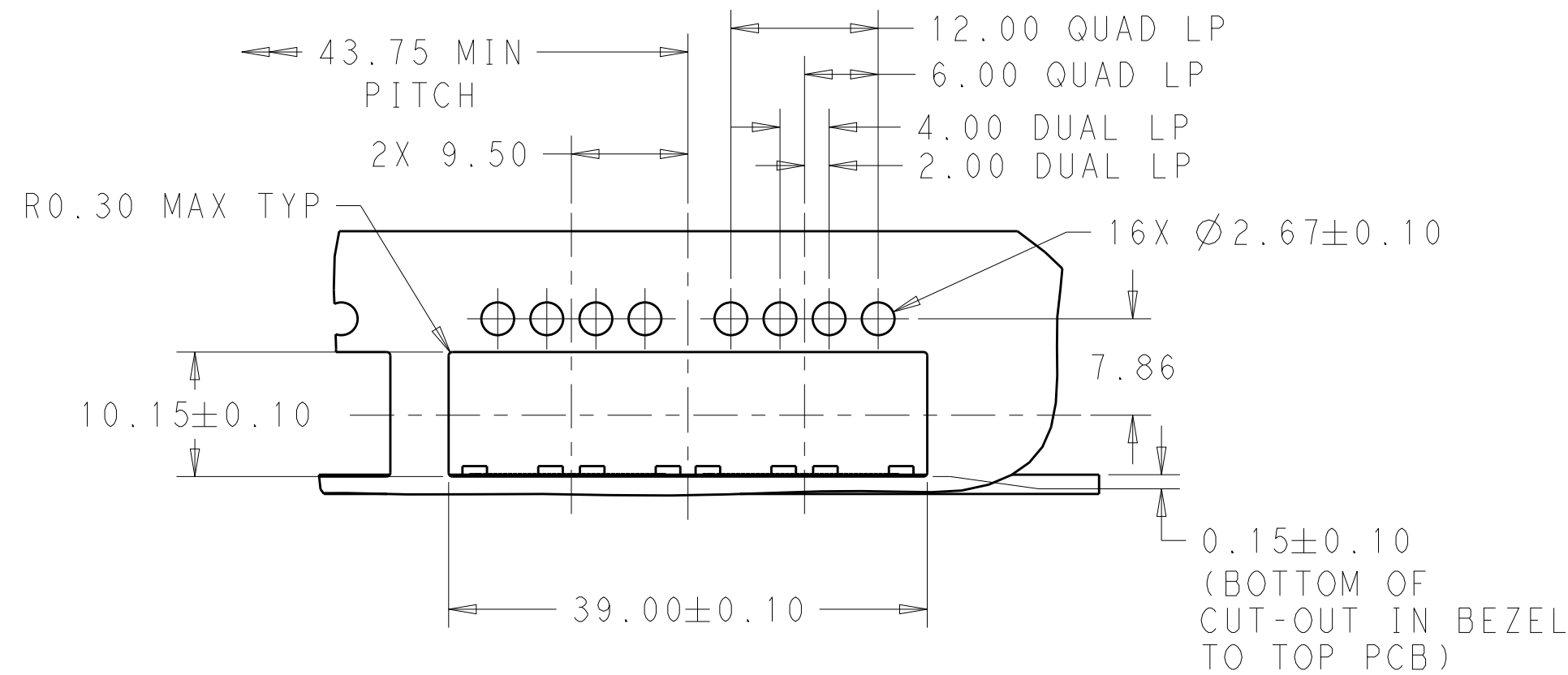
LOC		DIST		REVISIONS			
P	LTR	DESCRIPTION	DATE	DWN	APVD		
-	-	SEE SHEET 1	-	-	-		



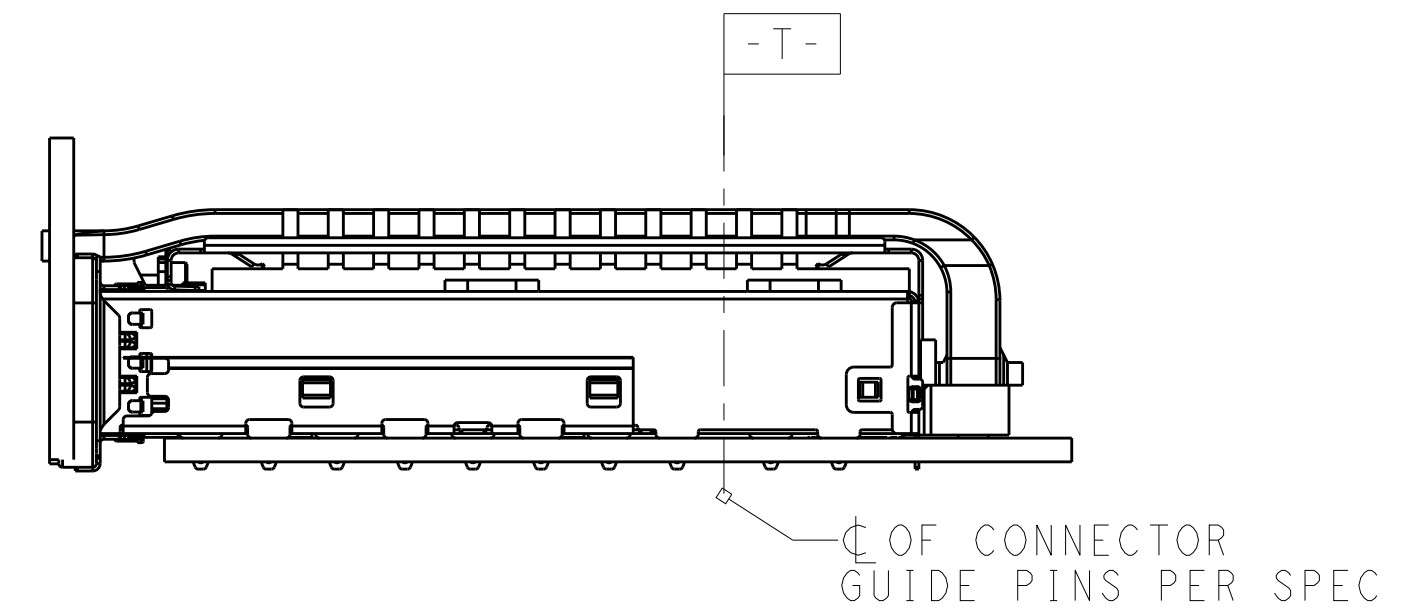
CAGE ASSEMBLY IS OMITED



SINGLE SIDE MOUNTING
SCALE 2:1



CAGE ASSEMBLY IS OMITED

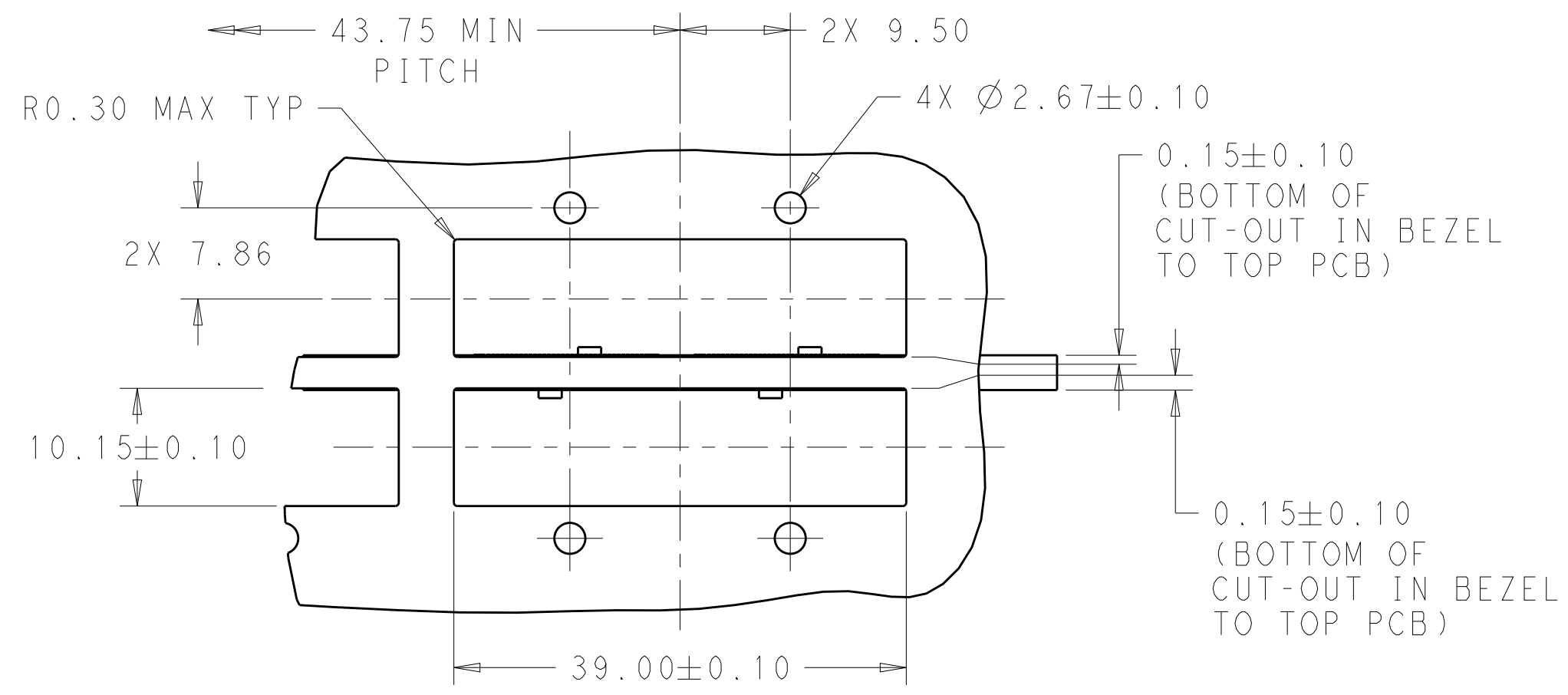


SINGLE SIDE MOUNTING
SCALE 2:1

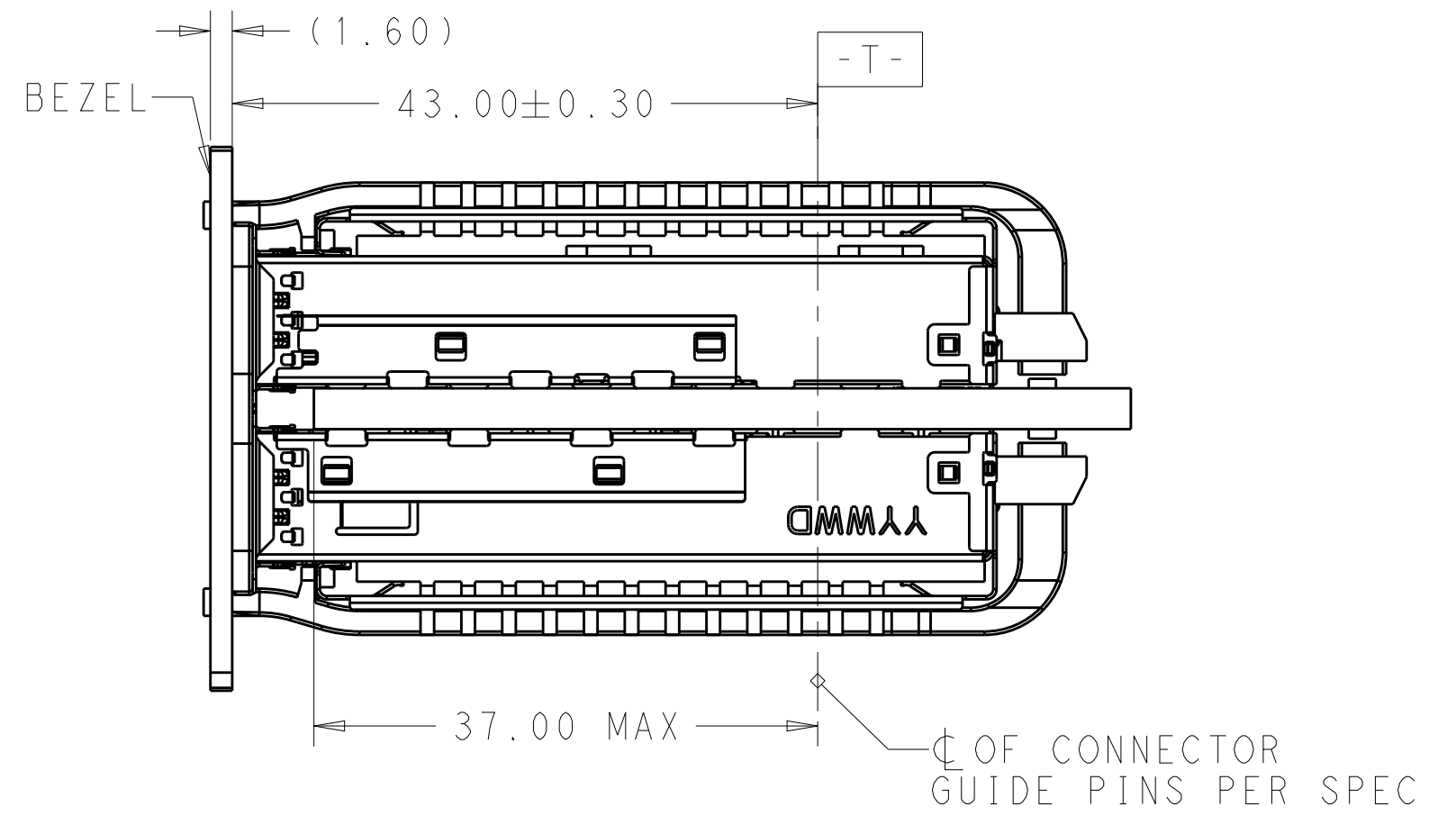
THIS DRAWING IS A CONTROLLED DOCUMENT.		DWN BING LIU 16SEP2014	TE Connectivity	
DIMENSIONS: mm		CHK JASON YANG 16SEP2014		
TOLERANCES UNLESS OTHERWISE SPECIFIED:		APVD SEAN HAN 09NOV2016	NAME RECEPTACLE CAGE ASSEMBLY WITH HEAT SINKS AND LIGHT PIPES, THRU BEZEL, 1X2, QSFP28, GASKET	
0 PLC ±- 1 PLC ±0.25 2 PLC ±0.2 3 PLC ±- 4 PLC ±- ANGLES ±- FINISH SEE NOTES		PRODUCT SPEC 108-19428	SIZE A200779	DRAWING NO C-2170814
MATERIAL SEE NOTES material_2		APPLICATION SPEC 114-32023	RESTRICTED TO -	SCALE 1:1
FINISH SEE NOTES finish_spec_2		WEIGHT -	SHEET 4 OF 9	REV A
		CUSTOMER DRAWING		

THIS DRAWING IS UNPUBLISHED. RELEASED FOR PUBLICATION 20
 © COPYRIGHT 20 BY - ALL RIGHTS RESERVED.

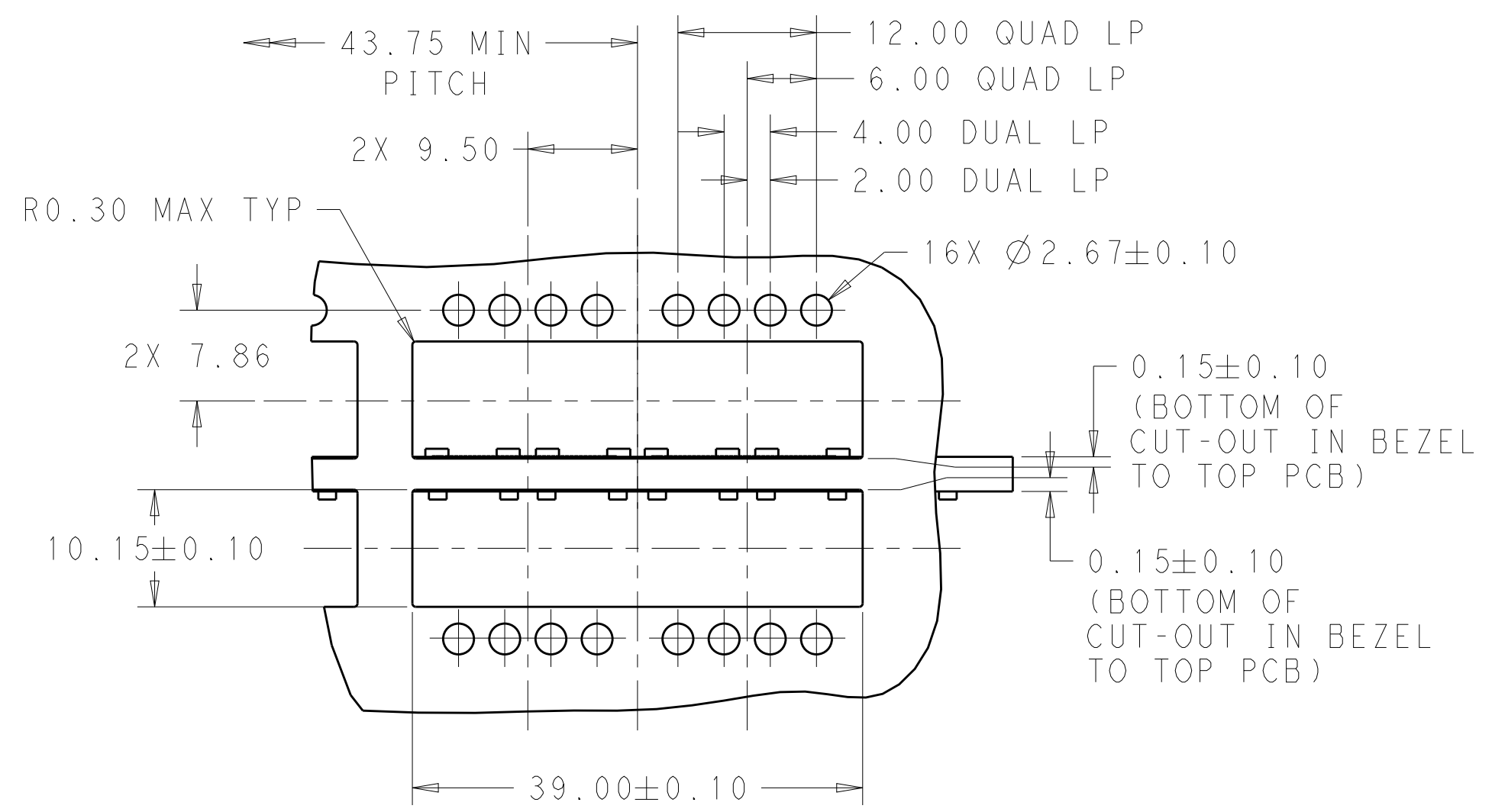
LOC		DIST		REVISIONS			
P	LTR	DESCRIPTION	DATE	DWN	APVD		
-	-	SEE SHEET 1	-	-	-		



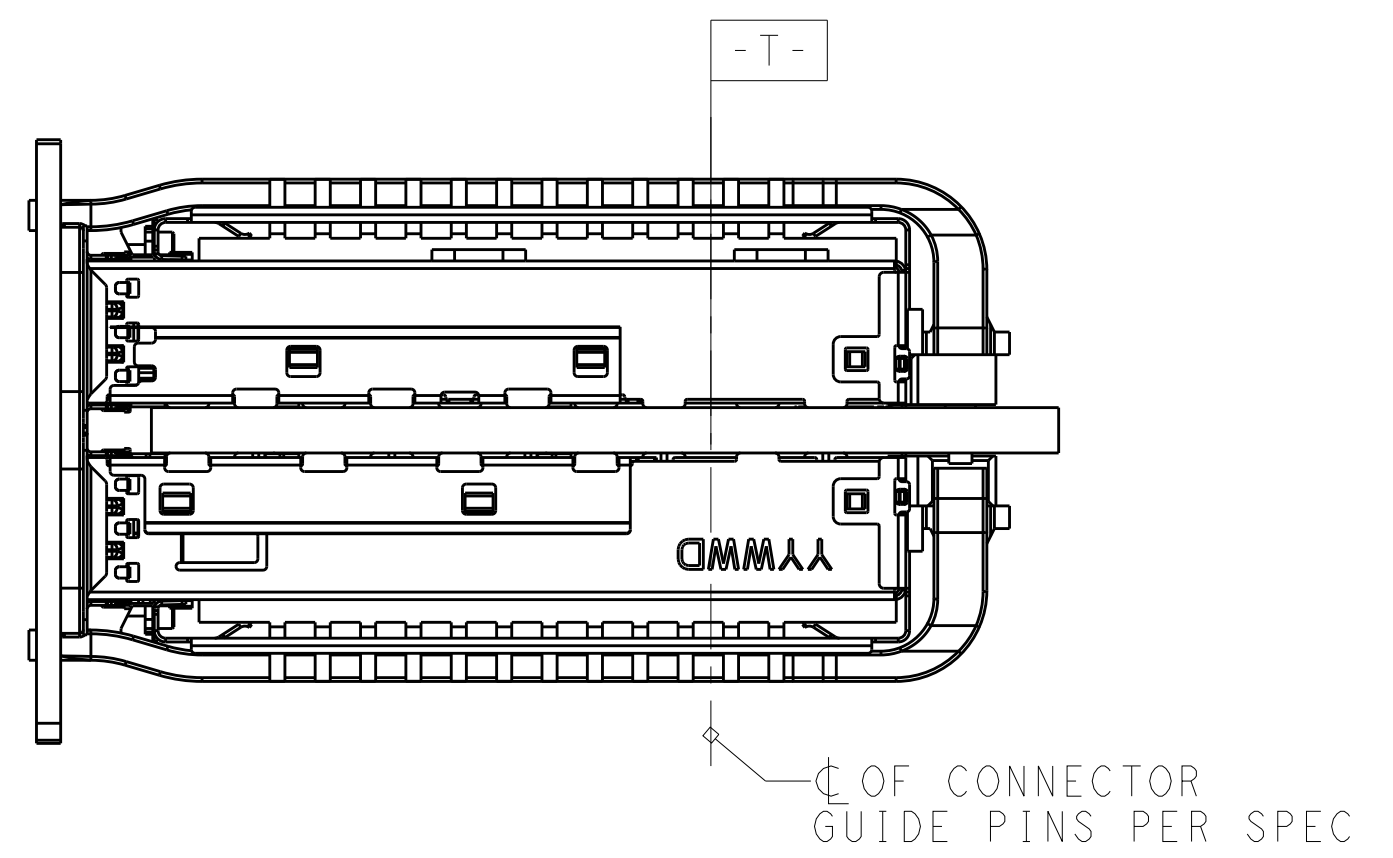
CAGE ASSEMBLY IS OMITED



BELLY TO BELLY MOUNTING
SCALE 2:1



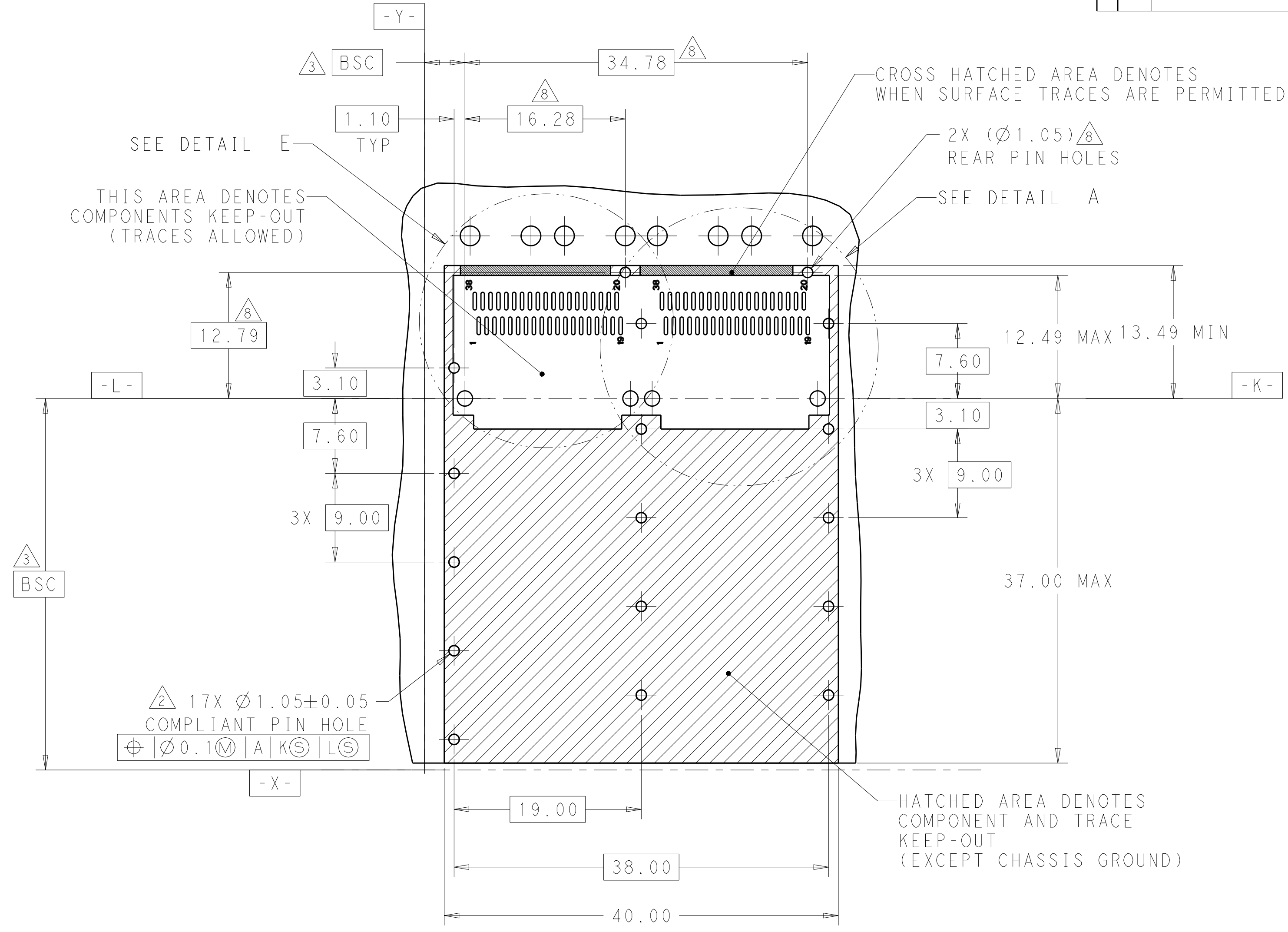
CAGE ASSEMBLY IS OMITED



BELLY TO BELLY MOUNTING
SCALE 2:1

THIS DRAWING IS A CONTROLLED DOCUMENT.		DWN BING LIU 16SEP2014	TE Connectivity	
		CHK JASON YANG 16SEP2014		
		APVD SEAN HAN 09NOV2016	NAME RECEPTACLE CAGE ASSEMBLY WITH HEAT SINKS AND LIGHT PIPES, THRU BEZEL, 1X2, QSFP28, GASKET	
DIMENSIONS: mm		TOLERANCES UNLESS OTHERWISE SPECIFIED:	PRODUCT SPEC	
		0 PLC ±	108-19428	
		1 PLC ±0.25	APPLICATION SPEC	
		2 PLC ±0.2	114-32023	
		3 PLC ±	WEIGHT	
		4 PLC ±	-	
MATERIAL SEE NOTES material_2		FINISH SEE NOTES finish_spec_2	SIZE A200779	DRAWING NO C-2170814
		CUSTOMER DRAWING	SCALE 1:1	SHEET 5 OF 9
			REV A	

LOC	DIST	REVISIONS			
P	LTR	DESCRIPTION	DATE	DWN	APVD
-	-	SEE SHEET 1	-	-	-



SEE DETAIL E
 THIS AREA DENOTES COMPONENTS KEEP-OUT (TRACES ALLOWED)

CROSS HATCHED AREA DENOTES WHEN SURFACE TRACES ARE PERMITTED

2X (Ø1.05) REAR PIN HOLES
 SEE DETAIL A

HATCHED AREA DENOTES COMPONENT AND TRACE KEEP-OUT (EXCEPT CHASSIS GROUND)

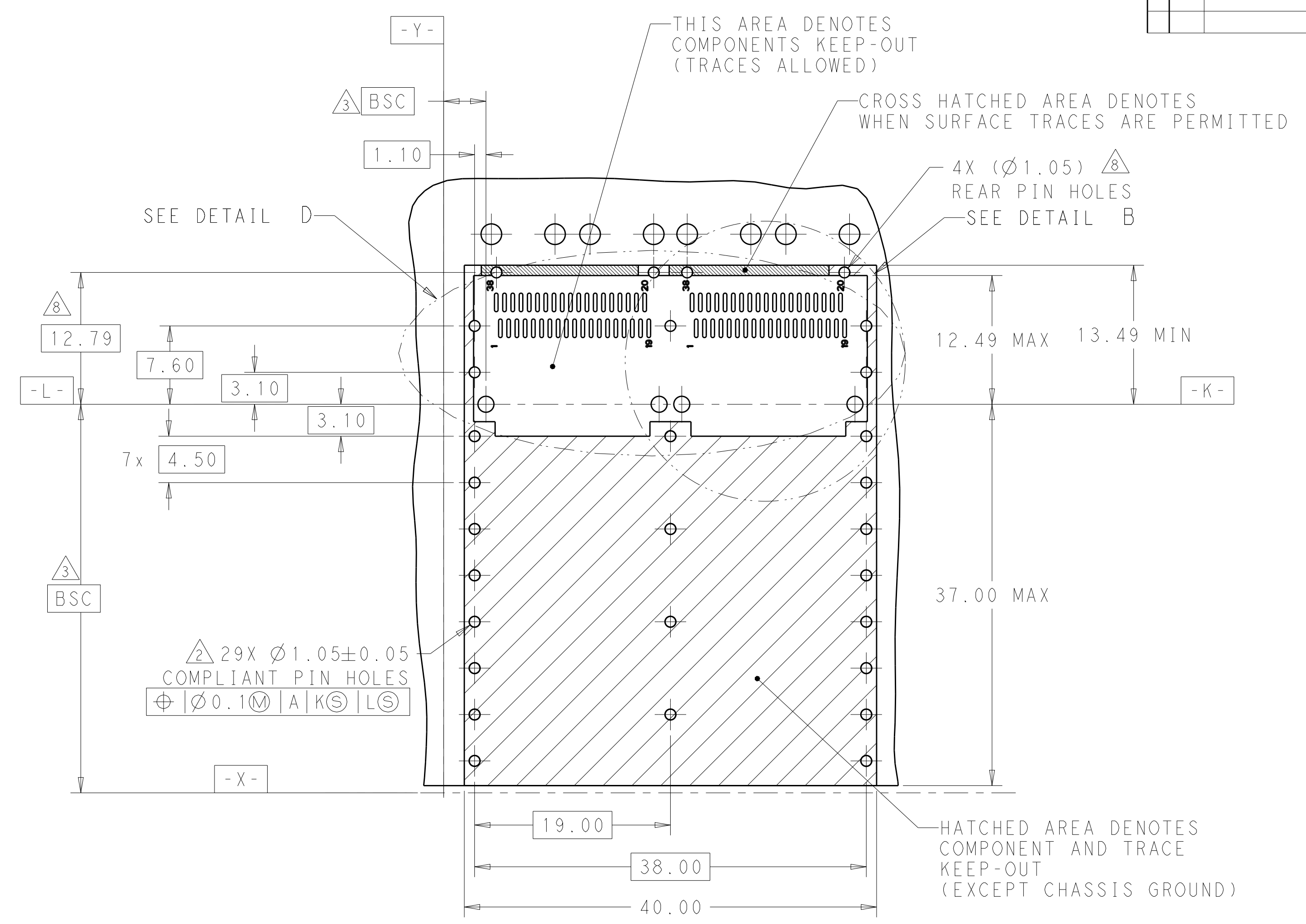
2 17X Ø1.05±0.05 COMPLIANT PIN HOLE
 ⊕ | Ø0.1(M) | A | K(S) | L(S)

RECOMMENDED PCB LAYOUT
 SINGLE TYPE
 PCB TOLERANCE: ±0.05
 SCALE 3:1

THIS DRAWING IS A CONTROLLED DOCUMENT.		DWN BING LIU 16SEP2014	TE Connectivity
DIMENSIONS: mm		CHK JASON YANG 16SEP2014	
TOLERANCES UNLESS OTHERWISE SPECIFIED:		APVD SEAN HAN 09NOV2016	
0 PLC ± 1 PLC ±0.25 2 PLC ±0.2 3 PLC ± 4 PLC ± ANGLES ± FINISH SEE NOTES		NAME RECEPTACLE CAGE ASSEMBLY WITH HEAT SINKS AND LIGHT PIPES, THRU BEZEL, 1X2, QSFP28, GASKET PRODUCT SPEC 108-19428 APPLICATION SPEC 114-32023 WEIGHT -	
MATERIAL SEE NOTES material_2		CUSTOMER DRAWING	SIZE A2 CAGE CODE 00779 DRAWING NO C-2170814 RESTRICTED TO -
SCALE 1:1			SHEET 6 OF 9
			REV A

THIS DRAWING IS UNPUBLISHED. RELEASED FOR PUBLICATION 20
 © COPYRIGHT 20 BY - ALL RIGHTS RESERVED.

LOC		DIST		REVISIONS			
P	LTR	DESCRIPTION	DATE	DWN	APVD		
-		SEE SHEET 1	-	-	-		

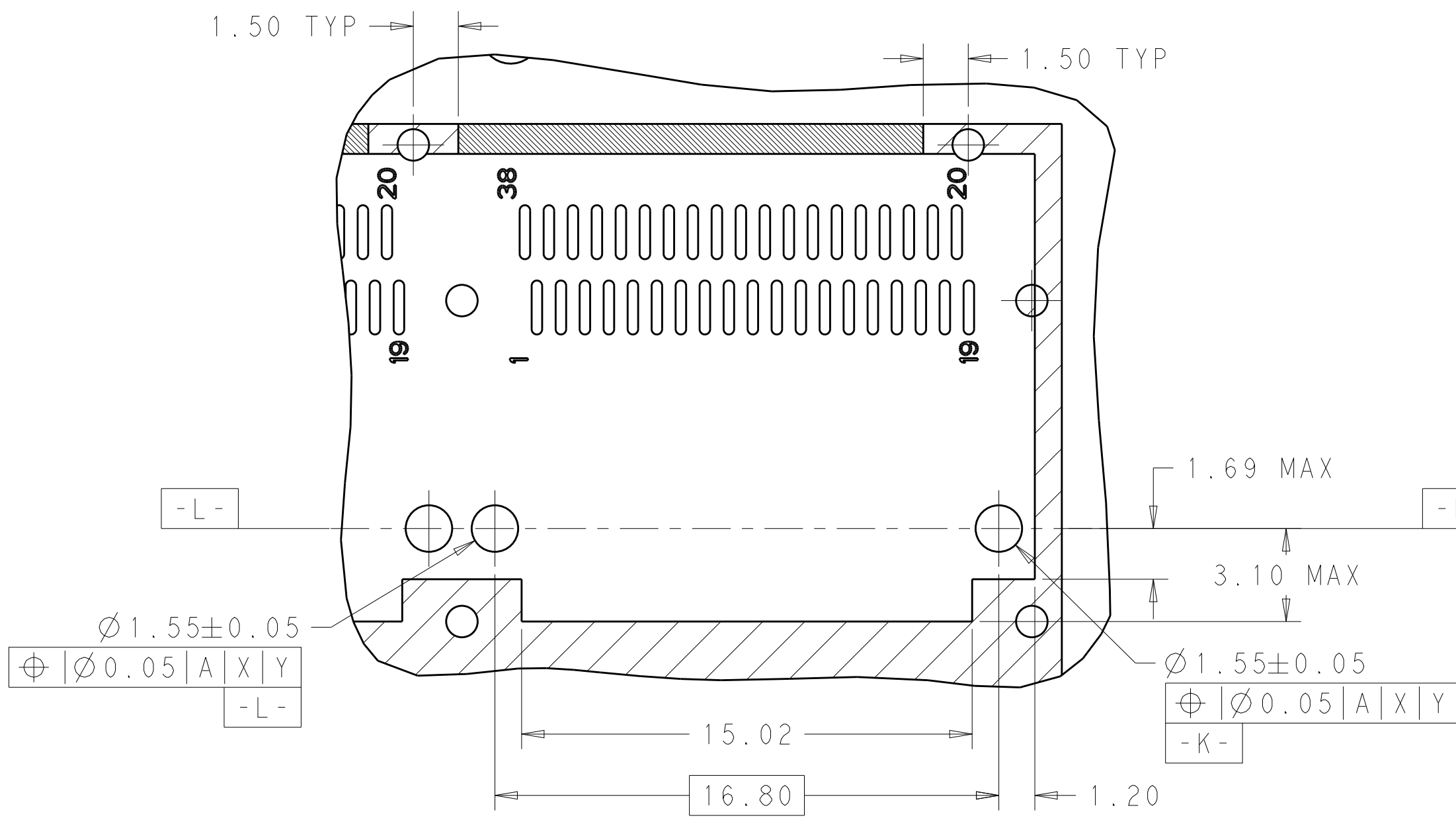


RECOMMENDED PCB LAYOUT
 BELLY TO BELLY TYPE
 PCB TOLERANCE: ±0.05
 SCALE 3:1

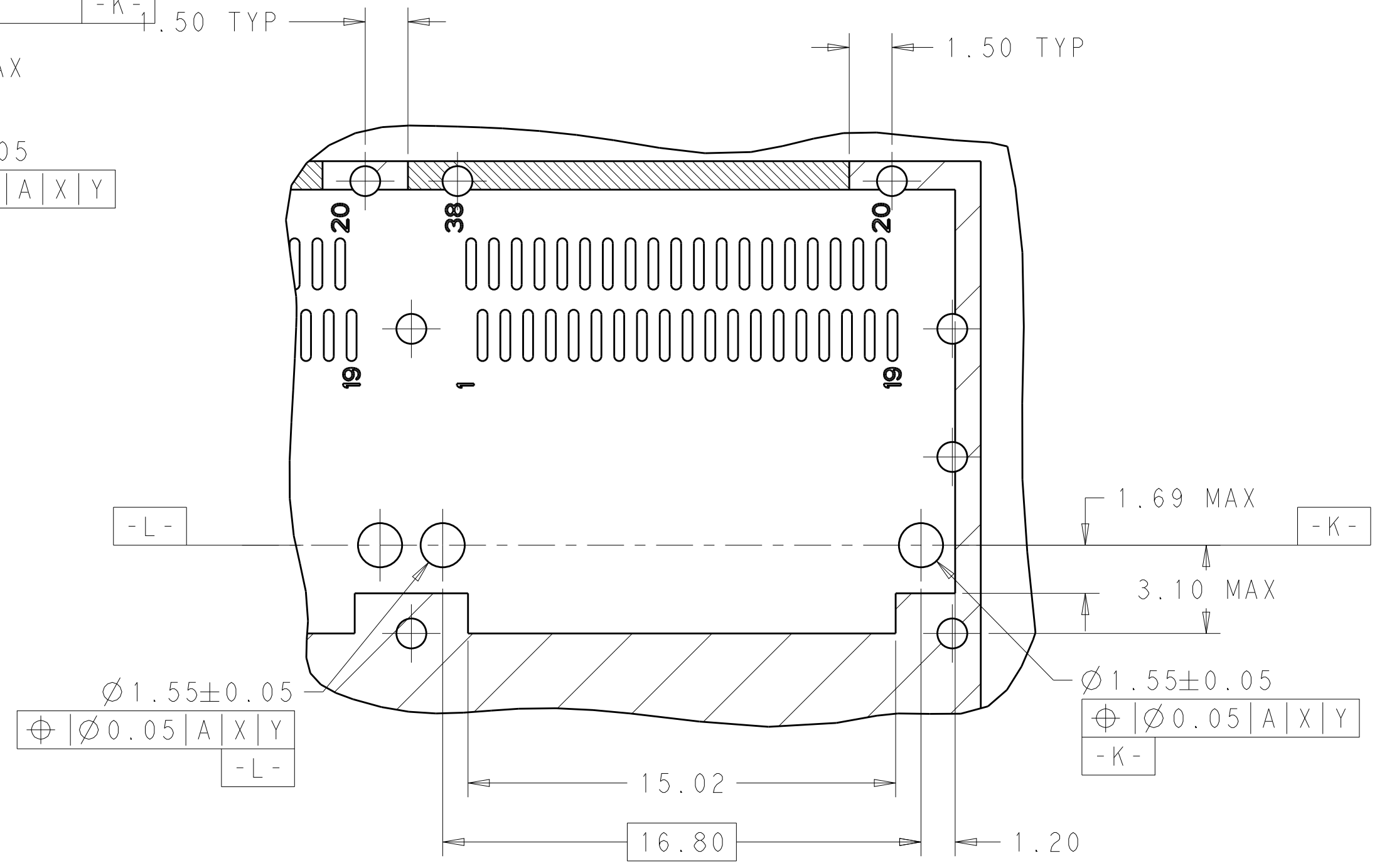
THIS DRAWING IS A CONTROLLED DOCUMENT.		DWN BING LIU 16SEP2014	TE Connectivity															
DIMENSIONS: mm		CHK JASON YANG 16SEP2014																
TOLERANCES UNLESS OTHERWISE SPECIFIED:		APVD SEAN HAN 09NOV2016	NAME RECEPTACLE CAGE ASSEMBLY WITH HEAT SINKS AND LIGHT PIPES, THRU BEZEL, 1X2, QSFP28, GASKET															
<table border="0"> <tr><td>0 PLC</td><td>±-</td></tr> <tr><td>1 PLC</td><td>±0.25</td></tr> <tr><td>2 PLC</td><td>±0.2</td></tr> <tr><td>3 PLC</td><td>±-</td></tr> <tr><td>4 PLC</td><td>±-</td></tr> <tr><td>ANGLES</td><td>±-</td></tr> <tr><td>FINISH</td><td>±-</td></tr> </table>		0 PLC	±-	1 PLC	±0.25	2 PLC	±0.2	3 PLC	±-	4 PLC	±-	ANGLES	±-	FINISH	±-	PRODUCT SPEC 108-19428	SIZE A200779	
0 PLC	±-																	
1 PLC	±0.25																	
2 PLC	±0.2																	
3 PLC	±-																	
4 PLC	±-																	
ANGLES	±-																	
FINISH	±-																	
MATERIAL SEE NOTES material_2		APPLICATION SPEC 114-32023	DRAWING NO C-2170814															
FINISH SEE NOTES finish_spec_2		WEIGHT -	RESTRICTED TO -															
CUSTOMER DRAWING		SCALE 1:1	SHEET 7 OF 9															
				REV A														

THIS DRAWING IS UNPUBLISHED. RELEASED FOR PUBLICATION 20
 © COPYRIGHT 20 BY - ALL RIGHTS RESERVED.

LOC	DIST	REVISIONS			
P	LTR	DESCRIPTION	DATE	DWN	APVD
-	-	SEE SHEET 1	-	-	-



DETAIL A
SCALE 6:1



DETAIL B
SCALE 6:1

THIS DRAWING IS A CONTROLLED DOCUMENT.		DWN BING LIU 16SEP2014	STE TE Connectivity
DIMENSIONS: mm		CHK JASON YANG 16SEP2014	
TOLERANCES UNLESS OTHERWISE SPECIFIED:		APVD SEAN HAN 09NOV2016	NAME RECEPTACLE CAGE ASSEMBLY WITH HEAT SINKS AND LIGHT PIPES, THRU BEZEL, 1X2, QSFP28, GASKET
0 PLC ±	1 PLC ±0.25	PRODUCT SPEC 108-19428	SIZE A200779
2 PLC ±0.2	3 PLC ±	APPLICATION SPEC 114-32023	CAGE CODE C-2170814
4 PLC ±	ANGLES ±	WEIGHT -	DRAWING NO -
MATERIAL SEE NOTES material_2	FINISH SEE NOTES finish_spec_2	CUSTOMER DRAWING	RESTRICTED TO -
SCALE 1:1		SHEET 8 OF 9	REV A