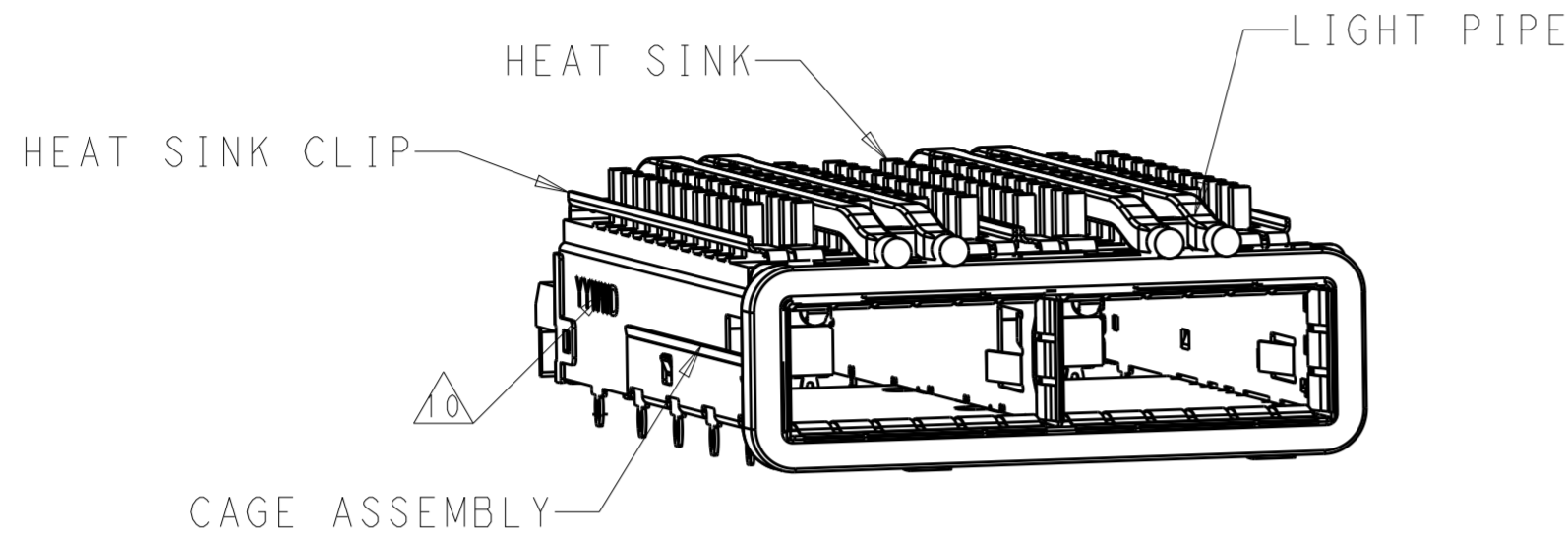


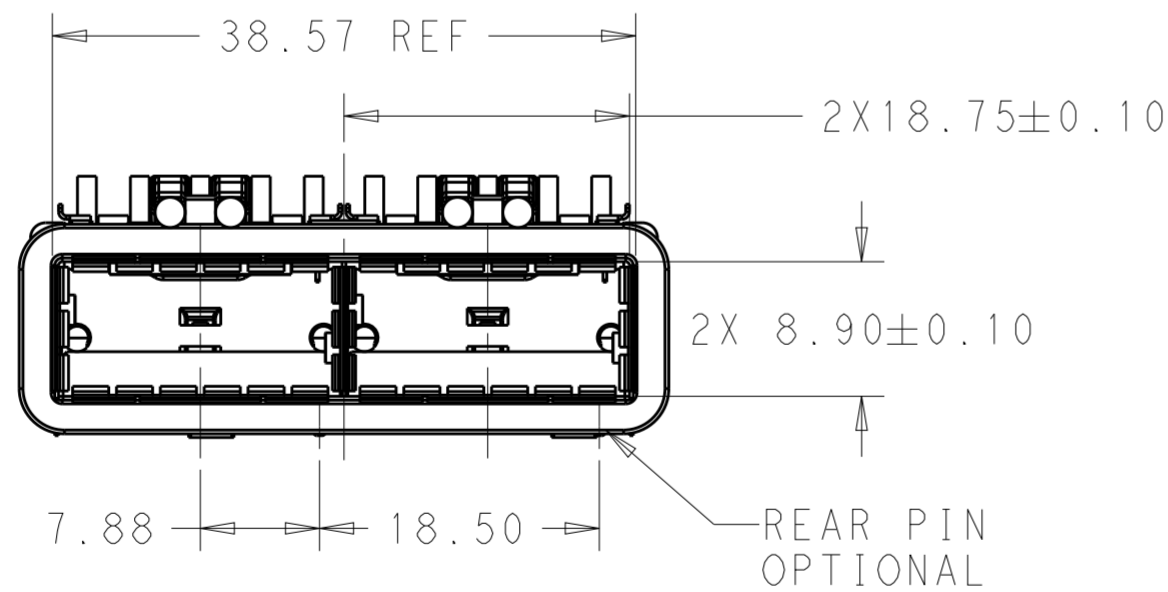
THIS DRAWING IS UNPUBLISHED. RELEASED FOR PUBLICATION 20
 © COPYRIGHT 20 BY - ALL RIGHTS RESERVED.

| LOC | DIST | REVISIONS | | | | | |
|-----|------|-----------|-----|-------------|-----------|-----|------|
| GP | 00 | P | LTR | DESCRIPTION | DATE | DWN | APVD |
| | | A | | RELEASE | 09NOV2016 | JY | SH |

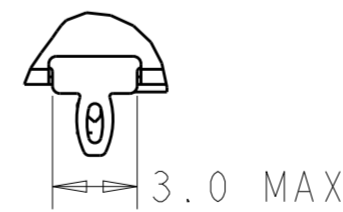
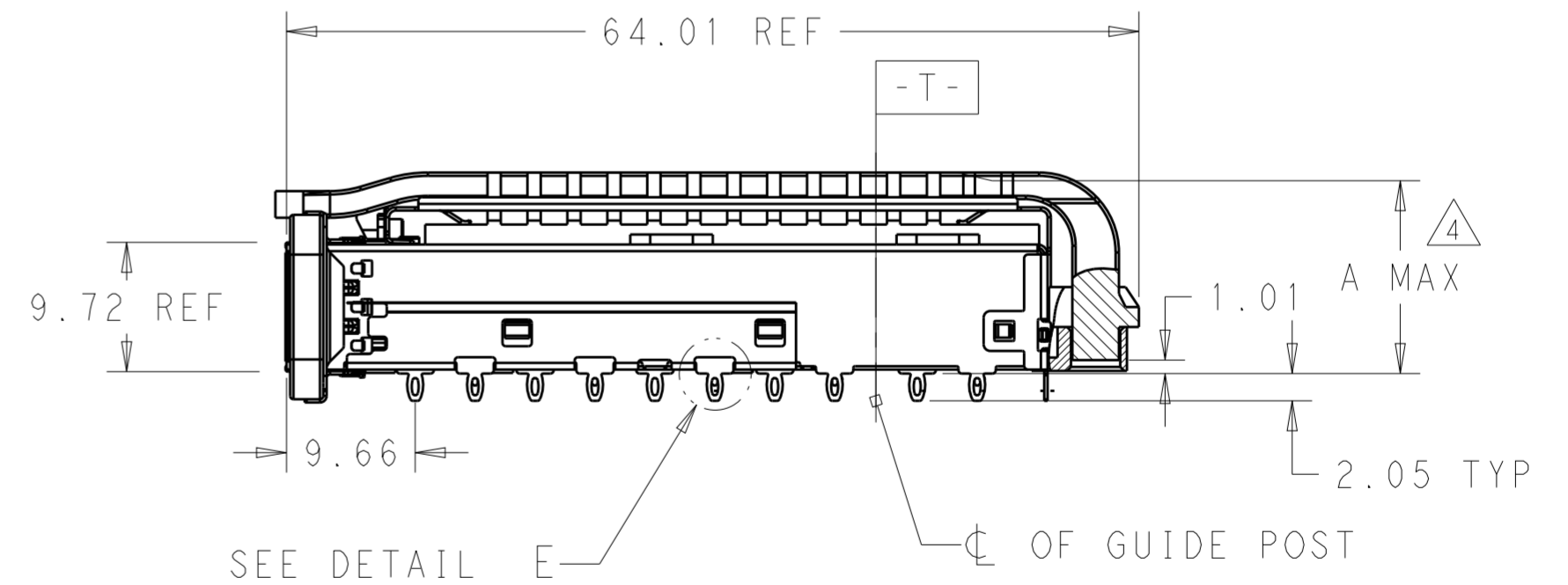


2-2170814-2 AS SHOWN
 SCALE 2:1

- COMPONENTS
 CAGE ASSEMBLY: NICKEL-SILVER ALLOY
 HEAT SINK: ALUMINUM/BLACK ANODIZE
 HEAT SINK CLIP: STAINLESS STEEL
 EMI SPRING: COPPER ALLOY/NICKEL PLATE
 LIGHT PIPE: CLEAR POLYCARBONATE
 GASKET: PLATED FILLED SILICONE
- REFERENCE APPLICATION SPECIFICATION 114-32023 FOR RECOMMENDED DRILL HOLE DIAMETER AND PLATING THICKNESS
- DATUM AND BASIC DIMENSION ESTABLISHED BY CUSTOMER
- DIMENSION APPLIES WITH MODULE INSERTED IN CAGE
- HEAT SINKS, HEAT SINK CLIPS AND LIGHT PIPES ARE SHIPPED ASSEMBLED ON CAGE
- MINIMUM PC BOARD THICKNESS: SINGLE SIDED: 1.57 MIN
 DOUBLE SIDED: 3.00 MIN
- DATUM -A- IS TOP SURFACE OF THE HOST BOARD.
- THESE HOLES ARE OPTIONAL WHEN THE REAR PINS ARE REMOVED.
- MATES WITH QSFP28 MSA COMPATIBLE TRANSCEIVER.
- DATE CODE (YYWWD) MARKED APPROXIMATELY AS SHOWN.
- NOTED DIMENSIONS ONLY APPLY TO CAGE ASSEMBLY WITH LIGHT PIPE.



SCALE 2:1



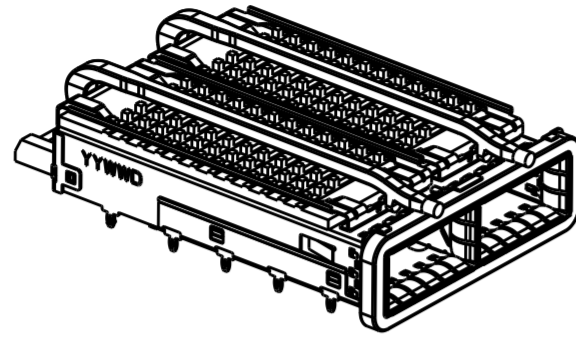
DETAIL E
 SCALE 4:1

| | | | | |
|--|--|--------------------------------|---|--|
| THIS DRAWING IS A CONTROLLED DOCUMENT. | | DWN BING LIU 16SEP2014 | STE TE Connectivity | |
| | | CHK JASON YANG 16SEP2014 | | |
| DIMENSIONS: mm | | APVD SEAN HAN 09NOV2016 | NAME RECEPTACLE CAGE ASSEMBLY WITH HEAT SINKS AND LIGHT PIPES, THRU BEZEL, 1X2, QSFP28, GASKET | |
| TOLERANCES UNLESS OTHERWISE SPECIFIED: 0 PLC ± 1 PLC ±0.25 2 PLC ±0.2 3 PLC ± 4 PLC ± ANGLES ± FINISH ± | | PRODUCT SPEC 108-19428 | SIZE A200779 | |
| MATERIAL SEE NOTES | | APPLICATION SPEC 114-32023 | DRAWING NO C-2170814 | |
| | | WEIGHT - | RESTRICTED TO - | |
| | | CUSTOMER DRAWING | SCALE 1:1 SHEET 1 OF 9 REV A | |

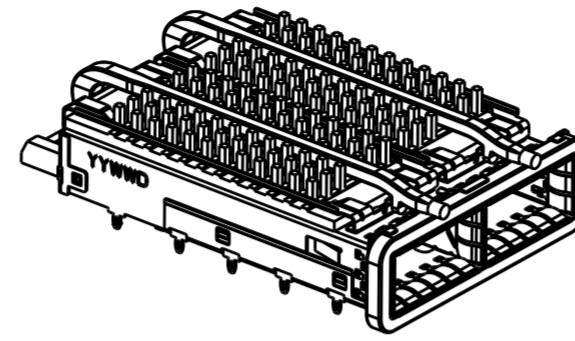
THIS DRAWING IS UNPUBLISHED. RELEASED FOR PUBLICATION 20
 © COPYRIGHT 20 BY - ALL RIGHTS RESERVED.

| LOC | | DIST | | REVISIONS | | | |
|-----|-----|-------------|--|-----------|-----|------|--|
| P | LTR | DESCRIPTION | | DATE | DWN | APVD | |
| - | | SEE SHEET 1 | | - | - | - | |

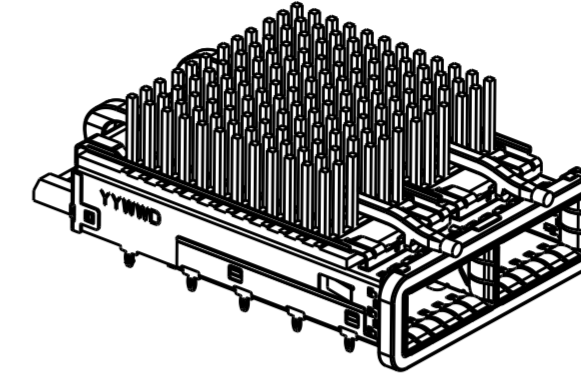
HEAT SINK OPTION



PCI HEAT SINK HEIGHT
SCALE 1:1

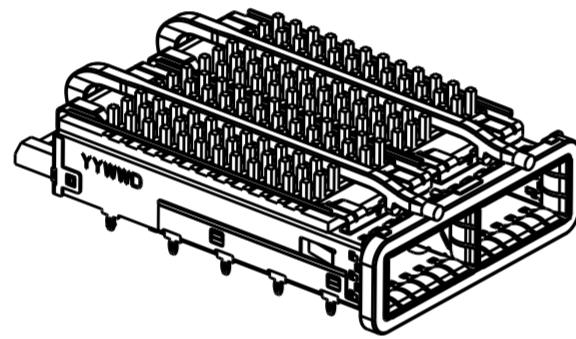


SAN HEAT SINK HEIGHT
SCALE 1:1

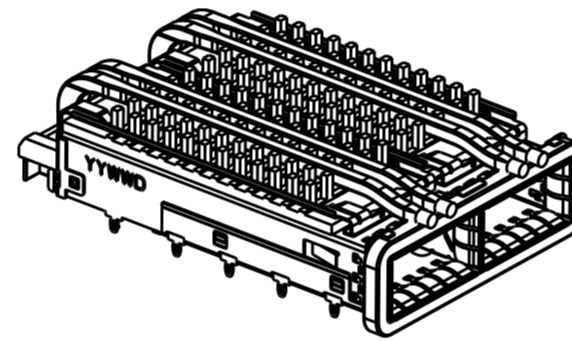


NETWORKING HEAT SINK HEIGHT
SCALE 1:1

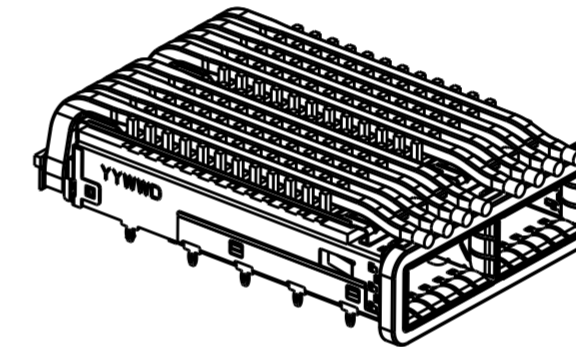
LIGHT PIPE OPTION



SINGLE LIGHT PIPE
SCALE 1:1

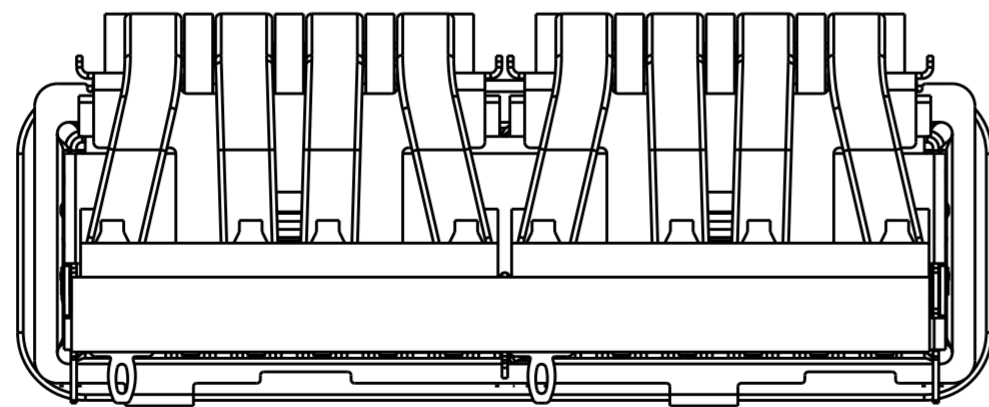


DUAL LIGHT PIPE
SCALE 1:1

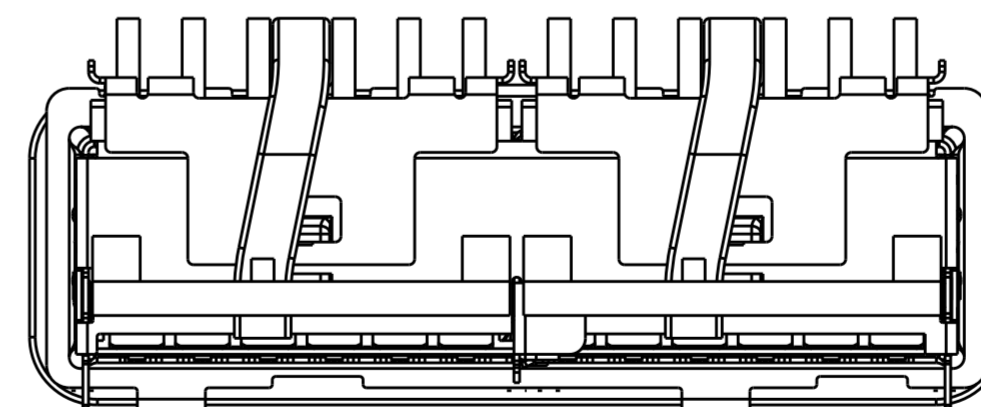


QUAD LIGHT PIPE
SCALE 1:1

OF REAR PIN OPTION



1 REAR PIN
SCALE 3:1



0 REAR PIN
SCALE 3:1

| | | | |
|--|--|--------------------------------------|---|
| THIS DRAWING IS A CONTROLLED DOCUMENT. | | DWN BING LIU 16SEP2014 | STE TE Connectivity |
| | | CHK JASON YANG 16SEP2014 | |
| | | APVD SEAN HAN 09NOV2016 | NAME RECEPTACLE CAGE ASSEMBLY WITH HEAT SINKS AND LIGHT PIPES, THRU BEZEL, 1X2, QSFP28, GASKET |
| DIMENSIONS: mm | | PRODUCT SPEC 108-19428 | SIZE A2 |
| TOLERANCES UNLESS OTHERWISE SPECIFIED: 0 PLC ± 1 PLC ±0.25 2 PLC ±0.2 3 PLC ± 4 PLC ± ANGLES ± | | APPLICATION SPEC 114-32023 | CAGE CODE 00779 |
| MATERIAL SEE NOTES material_2 | | FINISH SEE NOTES finish_spec_2 | DRAWING NO C-2170814 |
| | | WEIGHT - | RESTRICTED TO - |
| | | CUSTOMER DRAWING | SCALE 1:1 SHEET 2 OF 9 REV A |

THIS DRAWING IS UNPUBLISHED. RELEASED FOR PUBLICATION 20
 © COPYRIGHT 20 BY - ALL RIGHTS RESERVED.

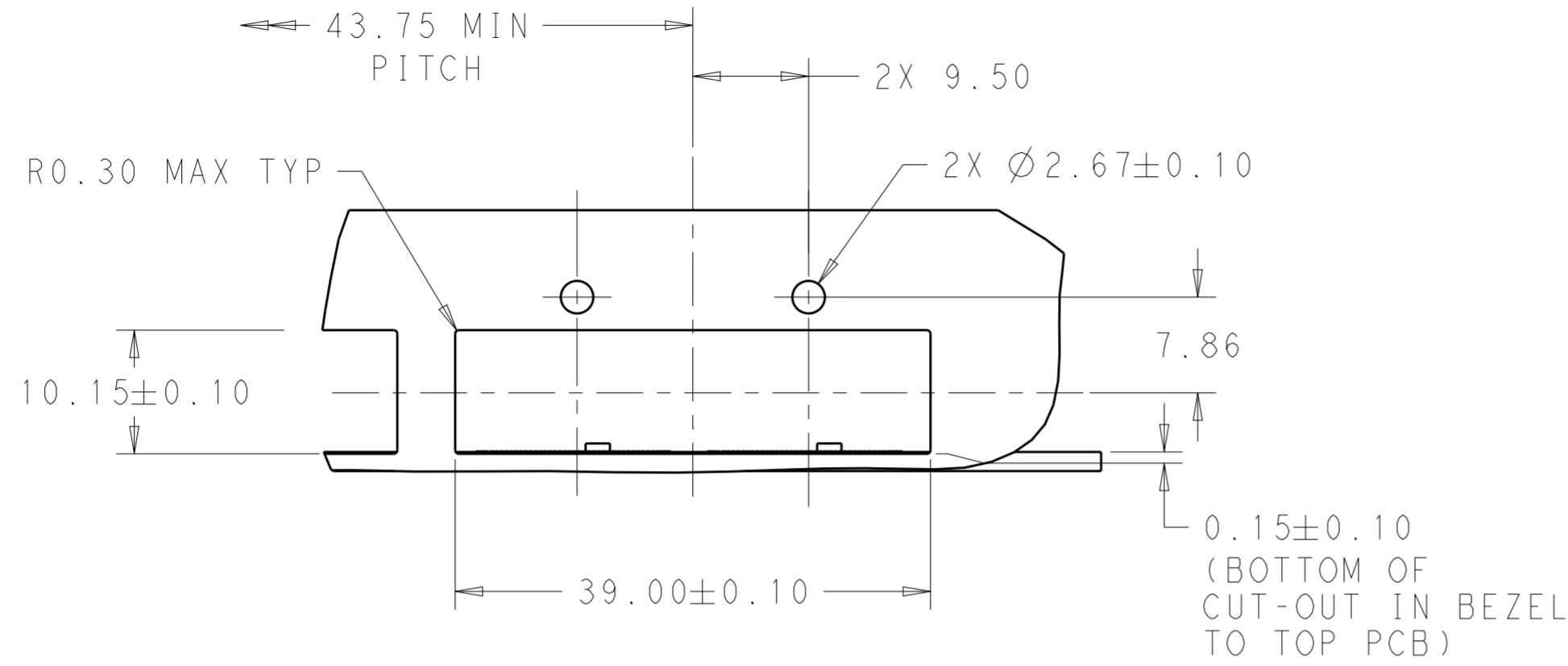
| LOC | DIST | REVISIONS | | | |
|-----|------|-------------|------|-----|------|
| P | LTR | DESCRIPTION | DATE | DWN | APVD |
| | - | SEE SHEET 1 | - | - | - |
| | | | | | |
| | | | | | |

| | | | | |
|---------------|-------|-------------|-------------------|-------------|
| 0 | 23.0 | NETWORKING | QUAD | 4-2170814-6 |
| 0 | 16.0 | SAN | QUAD | 4-2170814-5 |
| 0 | 13.7 | PCI | QUAD | 4-2170814-4 |
| 1 | 23.0 | NETWORKING | QUAD | 4-2170814-3 |
| 1 | 16.0 | SAN | QUAD | 4-2170814-2 |
| 1 | 13.7 | PCI | QUAD | 4-2170814-1 |
| 0 | 23.0 | NETWORKING | DUAL | 2-2170814-6 |
| 0 | 16.0 | SAN | DUAL | 2-2170814-5 |
| 0 | 13.7 | PCI | DUAL | 2-2170814-4 |
| 1 | 23.0 | NETWORKING | DUAL | 2-2170814-3 |
| 1 | 16.0 | SAN | DUAL | 2-2170814-2 |
| 1 | 13.7 | PCI | DUAL | 2-2170814-1 |
| 0 | 23.0 | NETWORKING | SINGLE | 2170814-6 |
| 0 | 16.0 | SAN | SINGLE | 2170814-5 |
| 0 | 13.7 | PCI | SINGLE | 2170814-4 |
| 1 | 23.0 | NETWORKING | SINGLE | 2170814-3 |
| 1 | 16.0 | SAN | SINGLE | 2170814-2 |
| 1 | 13.7 | PCI | SINGLE | 2170814-1 |
| # OF REAR PIN | DIM A | APPLICATION | LIGHT PIPE OPTION | PART NUMBER |

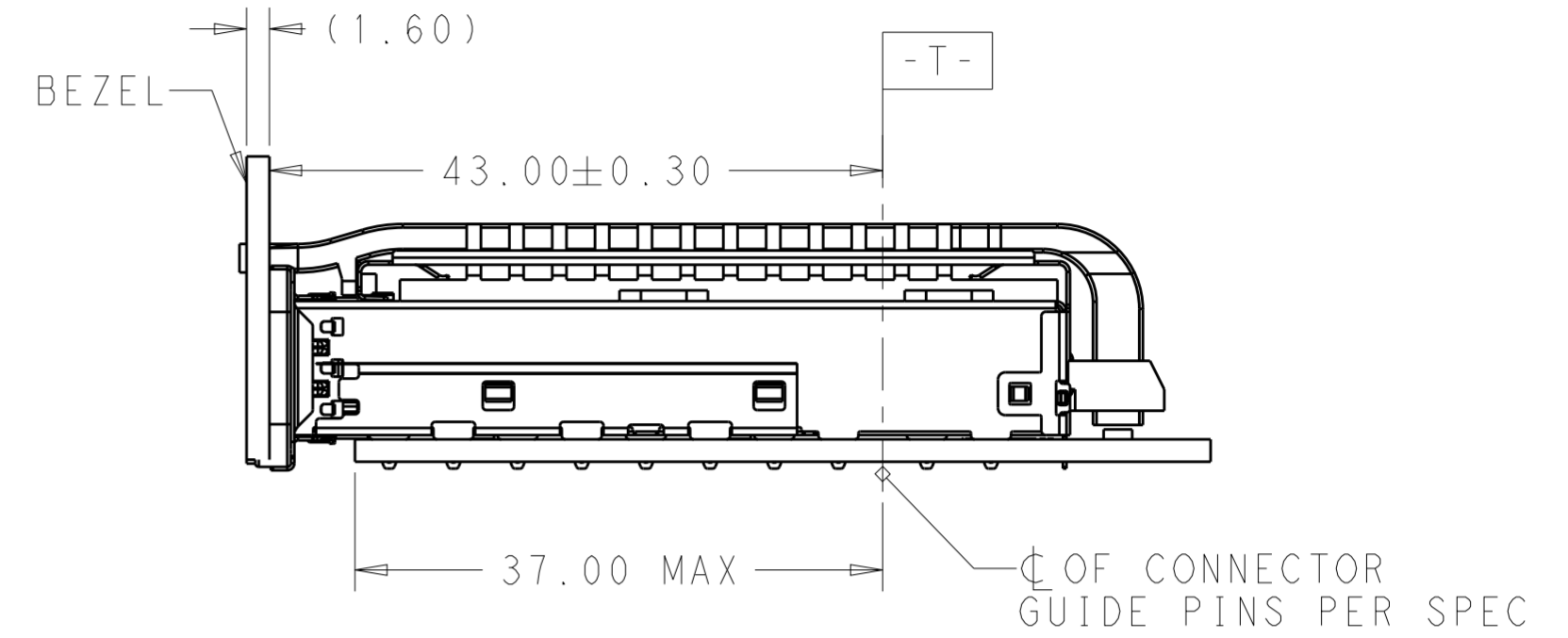
| | | | | |
|--|--|--------------------------------------|---|------------------------|
| THIS DRAWING IS A CONTROLLED DOCUMENT. | | DWN BING LIU 16SEP2014 | STE TE Connectivity | |
| DIMENSIONS: mm | | CHK JASON YANG 16SEP2014 | | |
| TOLERANCES UNLESS OTHERWISE SPECIFIED: 0 PLC ± 1 PLC ±0.25 2 PLC ±0.2 3 PLC ± 4 PLC ± | | APVD SEAN HAN 09NOV2016 | NAME RECEPTACLE CAGE ASSEMBLY WITH HEAT SINKS AND LIGHT PIPES, THRU BEZEL, 1X2, QSFP28, GASKET | |
| MATERIAL SEE NOTES material_2 | | FINISH SEE NOTES finish_spec_2 | PRODUCT SPEC 108-19428 | RESTRICTED TO - |
| | | APPLICATION SPEC 114-32023 | SIZE A200779 | CAGE CODE C-2170814 |
| | | WEIGHT - | SCALE 1:1 | SHEET 3 OF 9 |
| | | CUSTOMER DRAWING | REV A | |

THIS DRAWING IS UNPUBLISHED. RELEASED FOR PUBLICATION 20
 © COPYRIGHT 20 BY - ALL RIGHTS RESERVED.

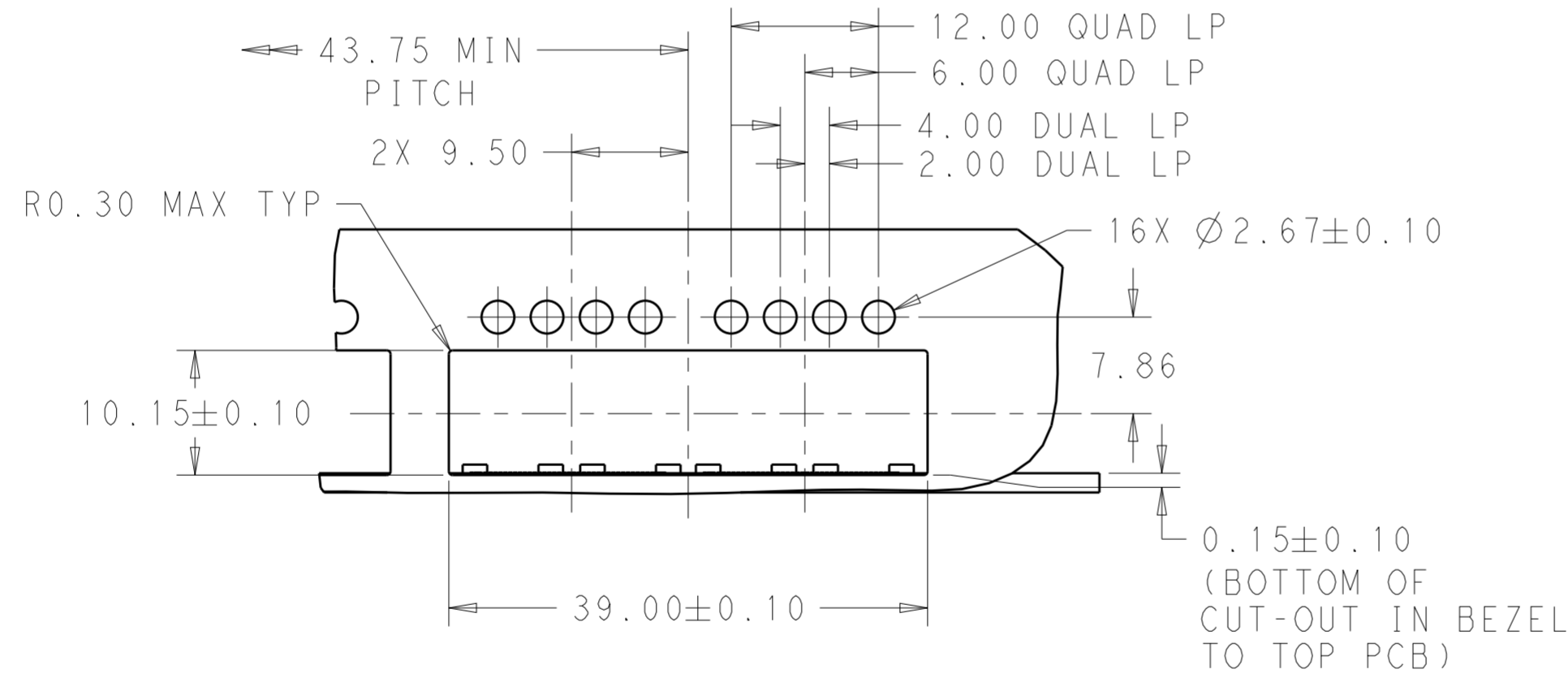
| LOC | | DIST | | REVISIONS | | | |
|-----|-----|-------------|------|-----------|------|--|--|
| P | LTR | DESCRIPTION | DATE | DWN | APVD | | |
| - | - | SEE SHEET 1 | - | - | - | | |



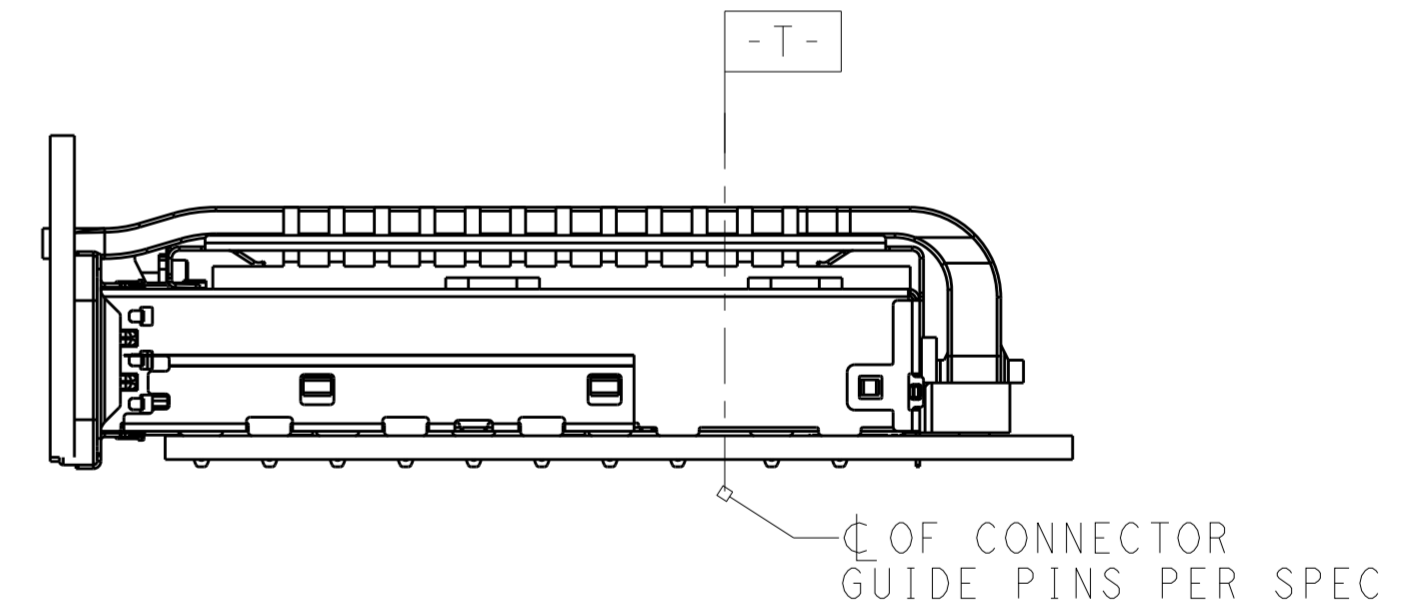
CAGE ASSEMBLY IS OMITED




SINGLE SIDE MOUNTING
SCALE 2:1



CAGE ASSEMBLY IS OMITED

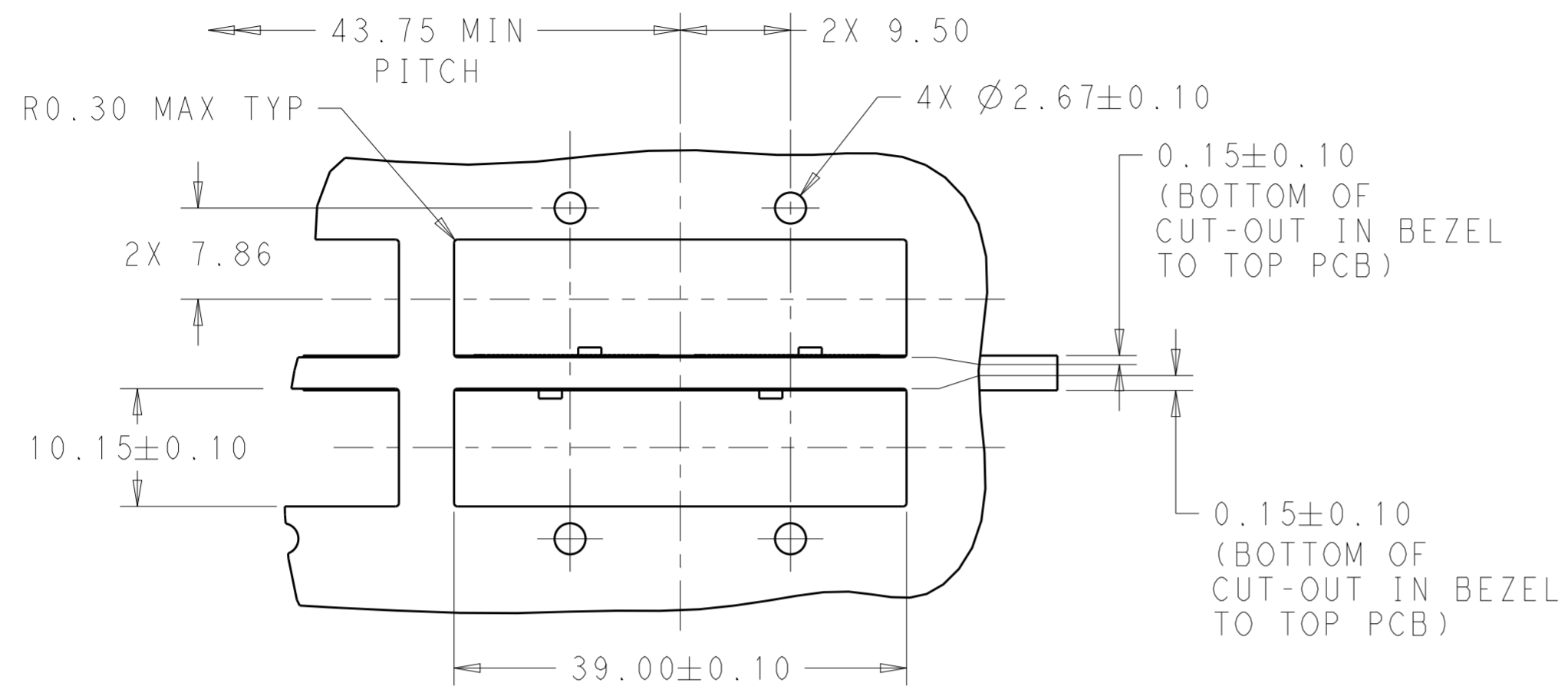


SINGLE SIDE MOUNTING
SCALE 2:1

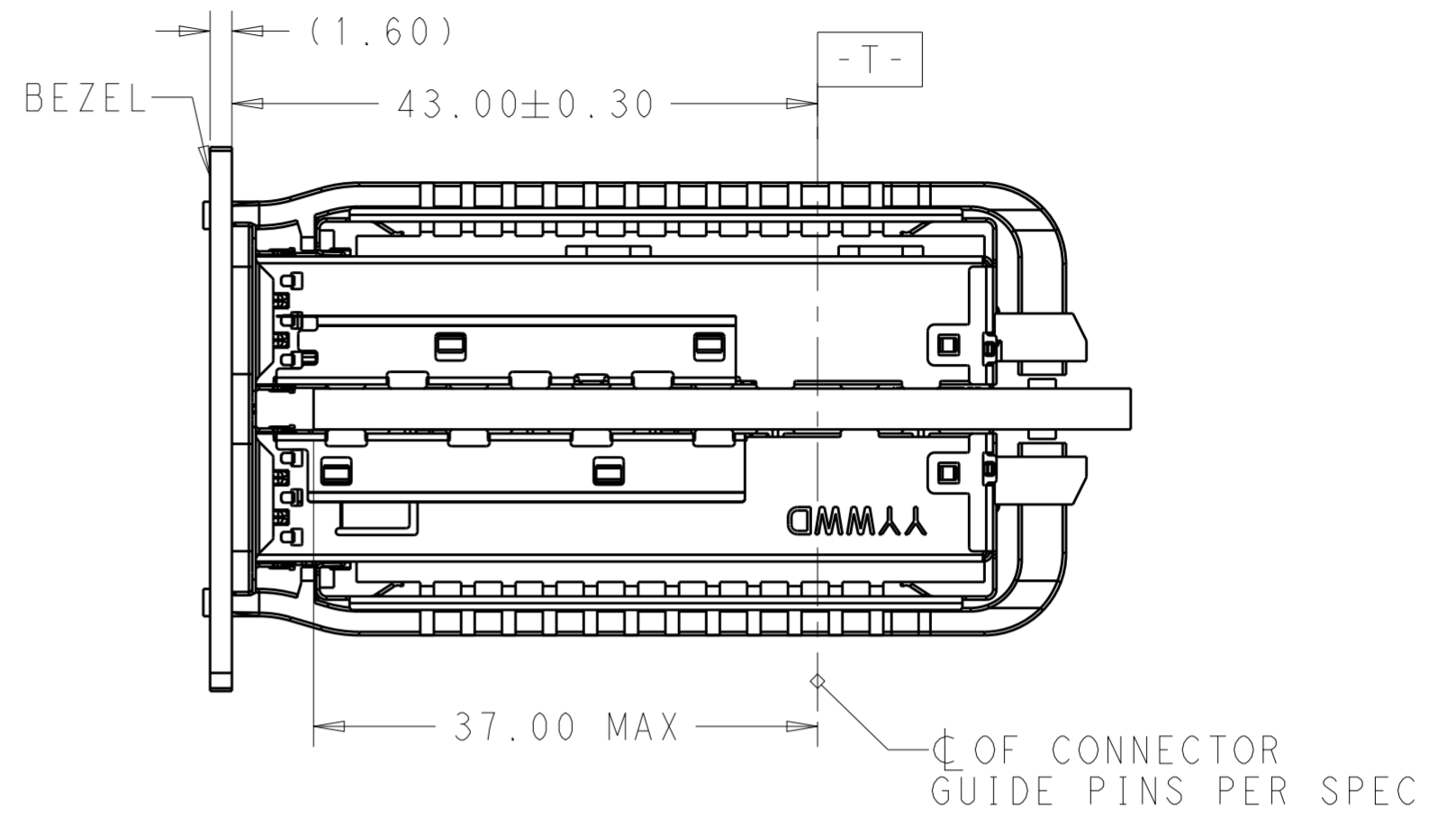
| | | | | |
|--|--|--------------------------------|---|-------------------------|
| THIS DRAWING IS A CONTROLLED DOCUMENT. | | DWN BING LIU 16SEP2014 |  TE Connectivity | |
| DIMENSIONS: mm | | CHK JASON YANG 16SEP2014 | | |
| TOLERANCES UNLESS OTHERWISE SPECIFIED: | | APVD SEAN HAN 09NOV2016 | NAME RECEPTACLE CAGE ASSEMBLY WITH HEAT SINKS AND LIGHT PIPES, THRU BEZEL, 1X2, QSFP28, GASKET | |
| 0 PLC ±- 1 PLC ±0.25 2 PLC ±0.2 3 PLC ±- 4 PLC ±- ANGLES ±- FINISH SEE NOTES | | PRODUCT SPEC 108-19428 | SIZE A200779 | DRAWING NO C-2170814 |
| MATERIAL SEE NOTES material_2 | | APPLICATION SPEC 114-32023 | RESTRICTED TO - | SCALE 1:1 |
| FINISH SEE NOTES finish_spec_2 | | WEIGHT - | SHEET 4 OF 9 | REV A |
| | | CUSTOMER DRAWING | | |

THIS DRAWING IS UNPUBLISHED. RELEASED FOR PUBLICATION 20
 © COPYRIGHT 20 BY - ALL RIGHTS RESERVED.

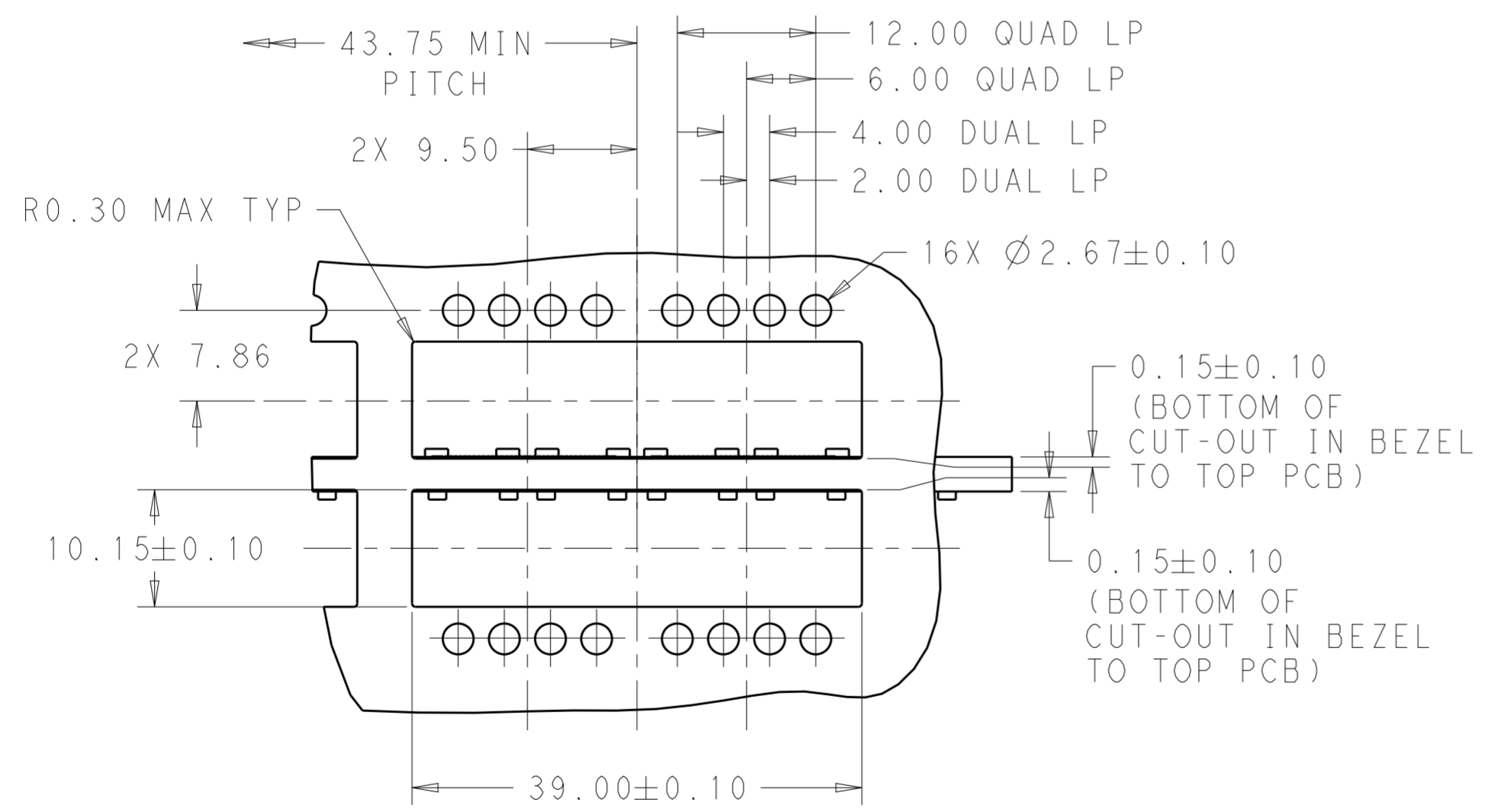
| LOC | | DIST | | REVISIONS | | | |
|-----|-----|-------------|------|-----------|------|--|--|
| P | LTR | DESCRIPTION | DATE | DWN | APVD | | |
| - | - | SEE SHEET 1 | - | - | - | | |



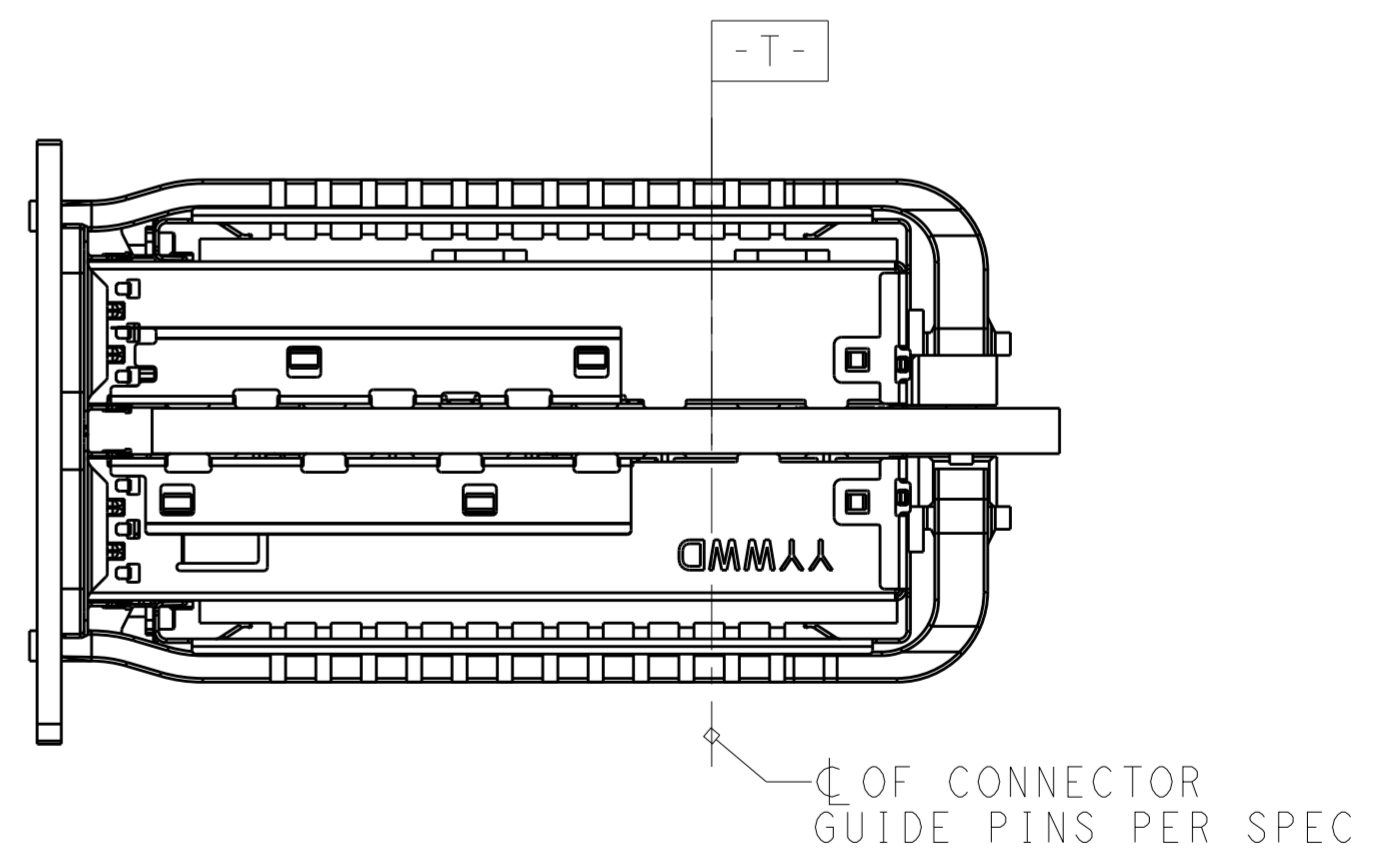
CAGE ASSEMBLY IS OMITED



BELLY TO BELLY MOUNTING
SCALE 2:1



CAGE ASSEMBLY IS OMITED

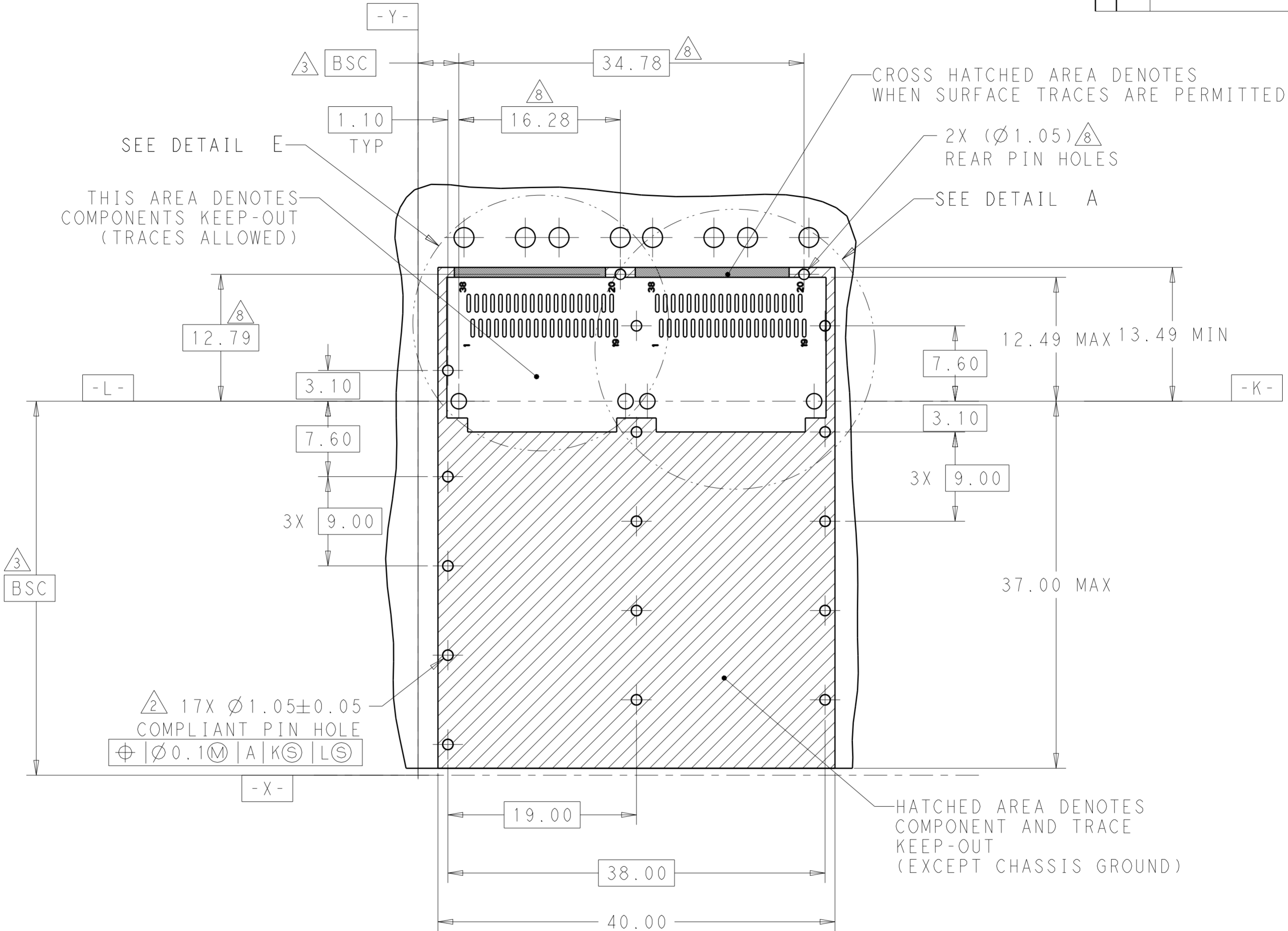


BELLY TO BELLY MOUNTING
SCALE 2:1

| | | | | |
|--|--|--------------------------------|---|-------------------------|
| THIS DRAWING IS A CONTROLLED DOCUMENT. | | DWN BING LIU 16SEP2014 | TE Connectivity | |
| DIMENSIONS: mm | | CHK JASON YANG 16SEP2014 | | |
| TOLERANCES UNLESS OTHERWISE SPECIFIED: | | APVD SEAN HAN 09NOV2016 | NAME RECEPTACLE CAGE ASSEMBLY WITH HEAT SINKS AND LIGHT PIPES, THRU BEZEL, 1X2, QSFP28, GASKET | |
| 0 PLC ± 1 PLC ±0.25 2 PLC ±0.2 3 PLC ± 4 PLC ± ANGLES ± FINISH SEE NOTES | | PRODUCT SPEC 108-19428 | SIZE A200779 | DRAWING NO C-2170814 |
| MATERIAL SEE NOTES material_2 | | APPLICATION SPEC 114-32023 | RESTRICTED TO - | SCALE 1:1 |
| FINISH SEE NOTES finish_spec_2 | | WEIGHT - | SHEET 5 OF 9 | REV A |
| | | CUSTOMER DRAWING | | |

THIS DRAWING IS UNPUBLISHED. RELEASED FOR PUBLICATION 20
 © COPYRIGHT 20 BY - ALL RIGHTS RESERVED.

| LOC | DIST | REVISIONS | | | |
|-----|------|-------------|------|-----|------|
| P | LTR | DESCRIPTION | DATE | DWN | APVD |
| - | - | SEE SHEET 1 | - | - | - |
| | | | | | |
| | | | | | |

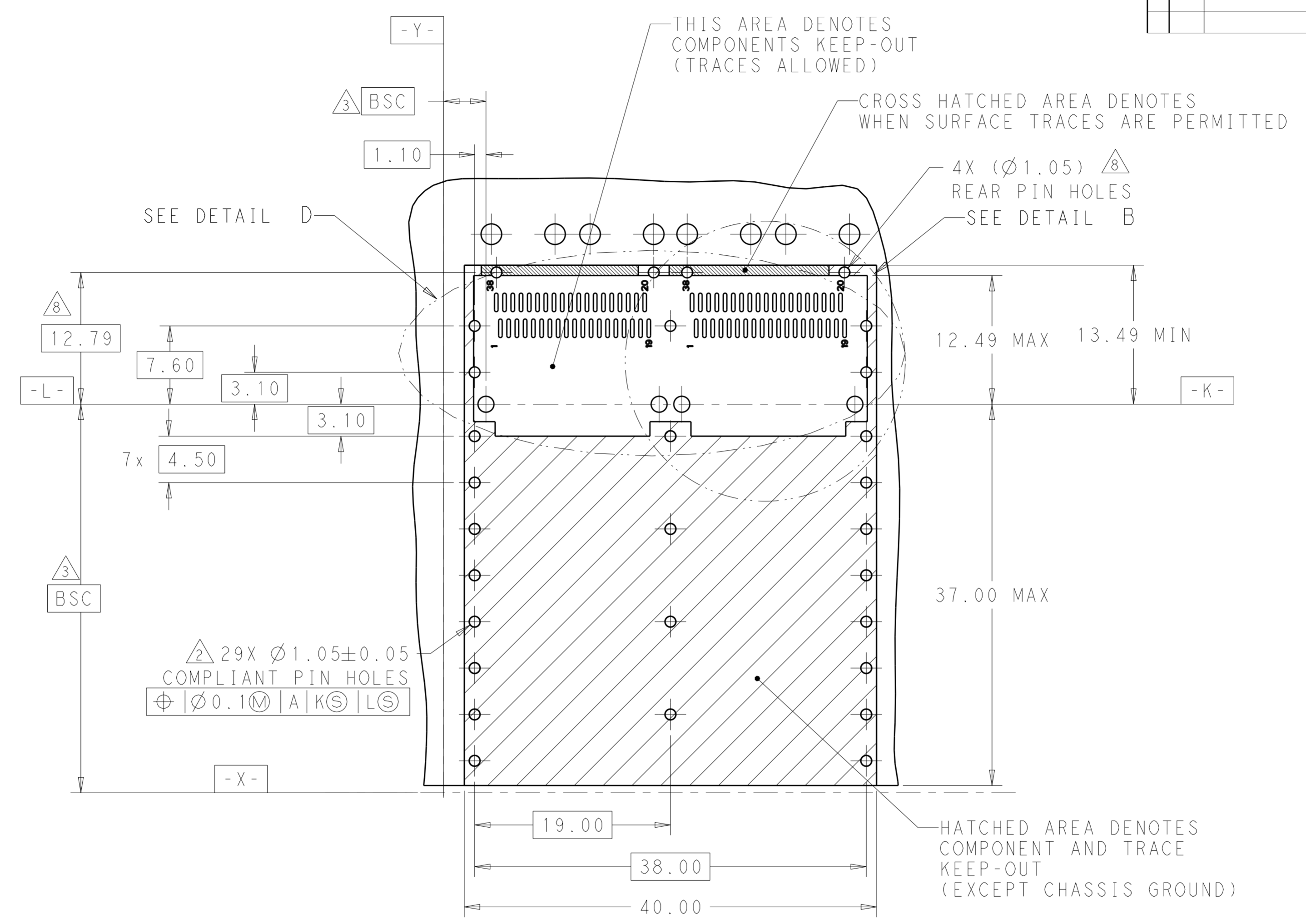


RECOMMENDED PCB LAYOUT
 SINGLE TYPE
 PCB TOLERANCE: ±0.05
 SCALE 3:1

| | | | |
|--|--|--|---|
| THIS DRAWING IS A CONTROLLED DOCUMENT. | | DWN BING LIU 16SEP2014 | TE Connectivity |
| DIMENSIONS: mm | | CHK JASON YANG 16SEP2014 | |
| TOLERANCES UNLESS OTHERWISE SPECIFIED: | | APVD SEAN HAN 09NOV2016 | |
| 0 PLC ± 1 PLC ±0.25 2 PLC ±0.2 3 PLC ± 4 PLC ± ANGLES ± FINISH SEE NOTES | | NAME RECEPTACLE CAGE ASSEMBLY WITH HEAT SINKS AND LIGHT PIPES, THRU BEZEL, 1X2, QSFP28, GASKET PRODUCT SPEC 108-19428 APPLICATION SPEC 114-32023 WEIGHT - CUSTOMER DRAWING | |
| MATERIAL SEE NOTES material_2 | | FINISH SEE NOTES finish_spec_2 | SIZE A2 CAGE CODE 00779 DRAWING NO C-2170814 RESTRICTED TO - SCALE 1:1 SHEET 6 OF 9 REV A |

THIS DRAWING IS UNPUBLISHED. RELEASED FOR PUBLICATION 20
 © COPYRIGHT 20 BY - ALL RIGHTS RESERVED.

| LOC | DIST | REVISIONS | | | |
|-----|------|-------------|------|-----|------|
| P | LTR | DESCRIPTION | DATE | DWN | APVD |
| - | - | SEE SHEET 1 | - | - | - |
| | | | | | |
| | | | | | |

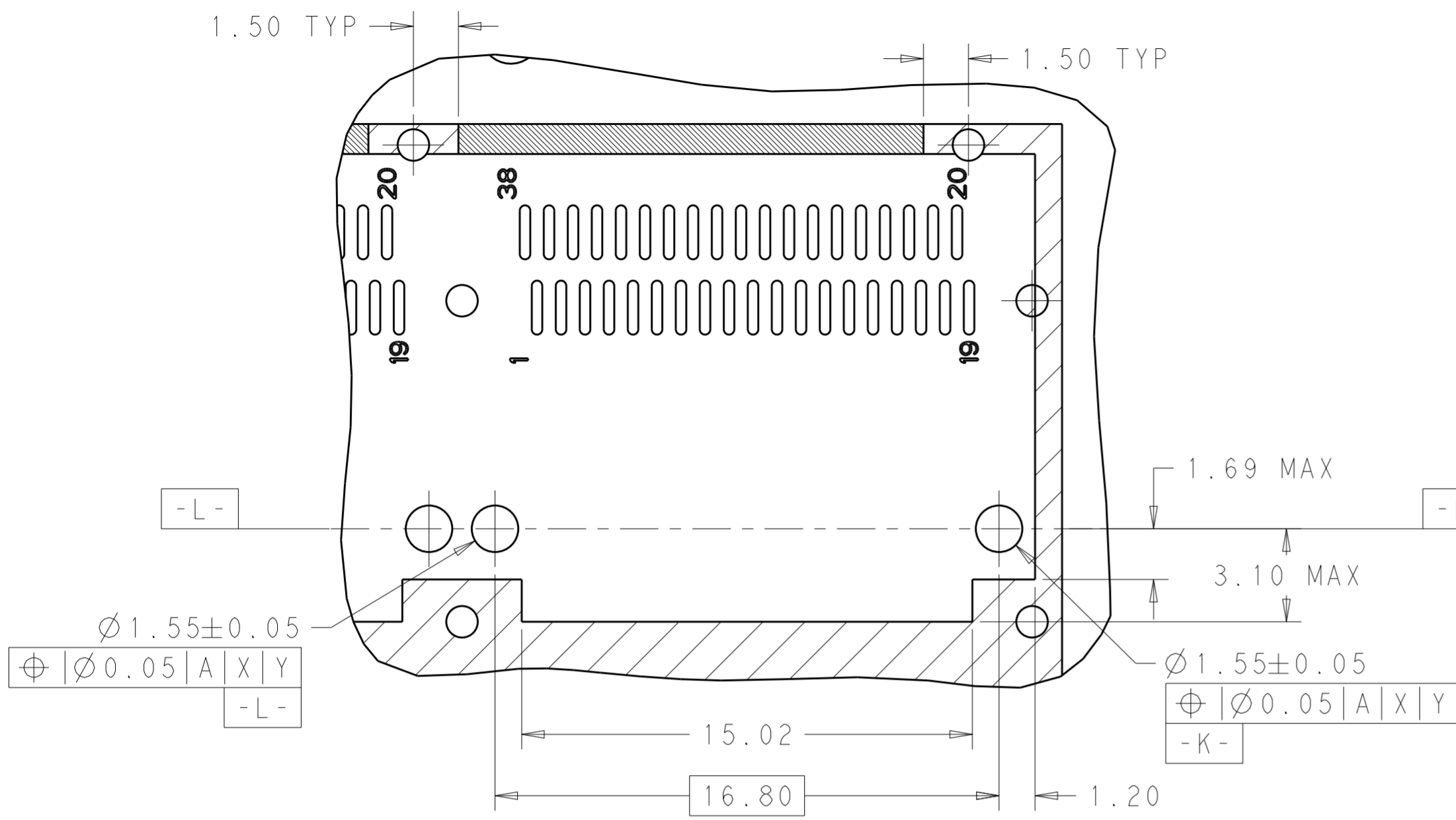


RECOMMENDED PCB LAYOUT
 BELLY TO BELLY TYPE
 PCB TOLERANCE: ±0.05
 SCALE 3:1

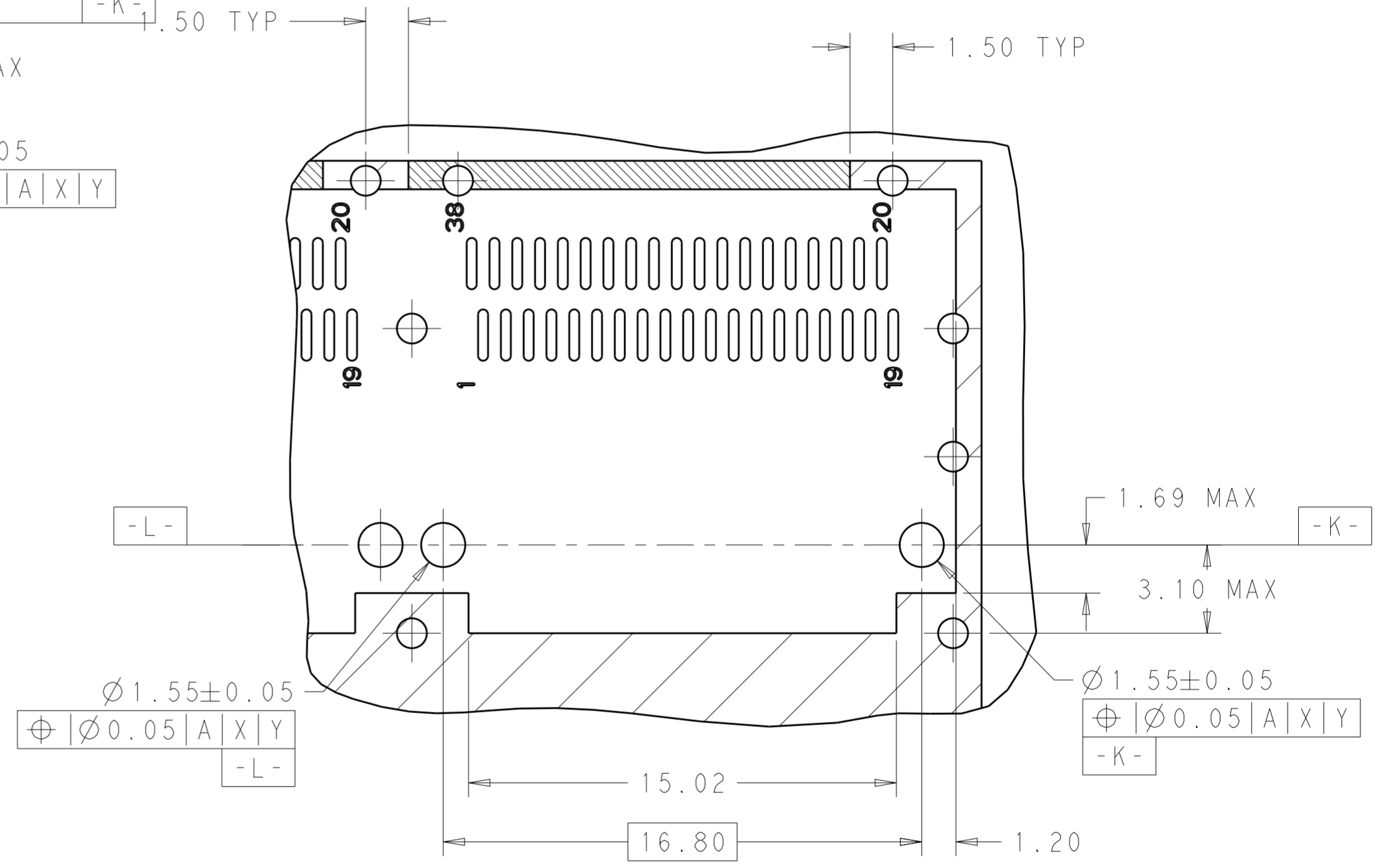
| | | | |
|--|--|--------------------------------|---|
| THIS DRAWING IS A CONTROLLED DOCUMENT. | | DWN BING LIU 16SEP2014 | TE Connectivity |
| DIMENSIONS: mm | | CHK JASON YANG 16SEP2014 | |
| TOLERANCES UNLESS OTHERWISE SPECIFIED: | | APVD SEAN HAN 09NOV2016 | NAME RECEPTACLE CAGE ASSEMBLY WITH HEAT SINKS AND LIGHT PIPES, THRU BEZEL, 1X2, QSFP28, GASKET |
| 0 PLC ±- 1 PLC ±0.25 2 PLC ±0.2 3 PLC ±- 4 PLC ±- ANGLES ±- | | PRODUCT SPEC 108-19428 | SIZE A2 |
| MATERIAL SEE NOTES material_2 | | APPLICATION SPEC 114-32023 | CAGE CODE 00779 |
| FINISH SEE NOTES finish_spec_2 | | WEIGHT - | DRAWING NO C-2170814 |
| | | CUSTOMER DRAWING | RESTRICTED TO - |
| | | SCALE 1:1 | SHEET 7 OF 9 |
| | | | REV A |

THIS DRAWING IS UNPUBLISHED. RELEASED FOR PUBLICATION 20
 © COPYRIGHT 20 BY - ALL RIGHTS RESERVED.

| LOC | DIST | REVISIONS | | | |
|-----|------|-------------|------|-----|------|
| P | LTR | DESCRIPTION | DATE | DWN | APVD |
| - | - | SEE SHEET 1 | - | - | - |
| | | | | | |
| | | | | | |



DETAIL A
SCALE 6:1



DETAIL B
SCALE 6:1

| | | | |
|--|--------------------------------------|--------------------------------|---|
| THIS DRAWING IS A CONTROLLED DOCUMENT. | | DWN BING LIU 16SEP2014 | STE TE Connectivity |
| DIMENSIONS: mm | | CHK JASON YANG 16SEP2014 | |
| TOLERANCES UNLESS OTHERWISE SPECIFIED: | | APVD SEAN HAN 09NOV2016 | NAME RECEPTACLE CAGE ASSEMBLY WITH HEAT SINKS AND LIGHT PIPES, THRU BEZEL, 1X2, QSFP28, GASKET |
| 0 PLC ± | 1 PLC ±0.25 | PRODUCT SPEC 108-19428 | SIZE A200779 |
| 2 PLC ±0.2 | 3 PLC ± | APPLICATION SPEC 114-32023 | CAGE CODE C-2170814 |
| 4 PLC ± | ANGLES ± | WEIGHT - | DRAWING NO - |
| MATERIAL SEE NOTES material_2 | FINISH SEE NOTES finish_spec_2 | CUSTOMER DRAWING | RESTRICTED TO - |
| SCALE 1:1 | | SHEET 8 OF 9 | REV A |