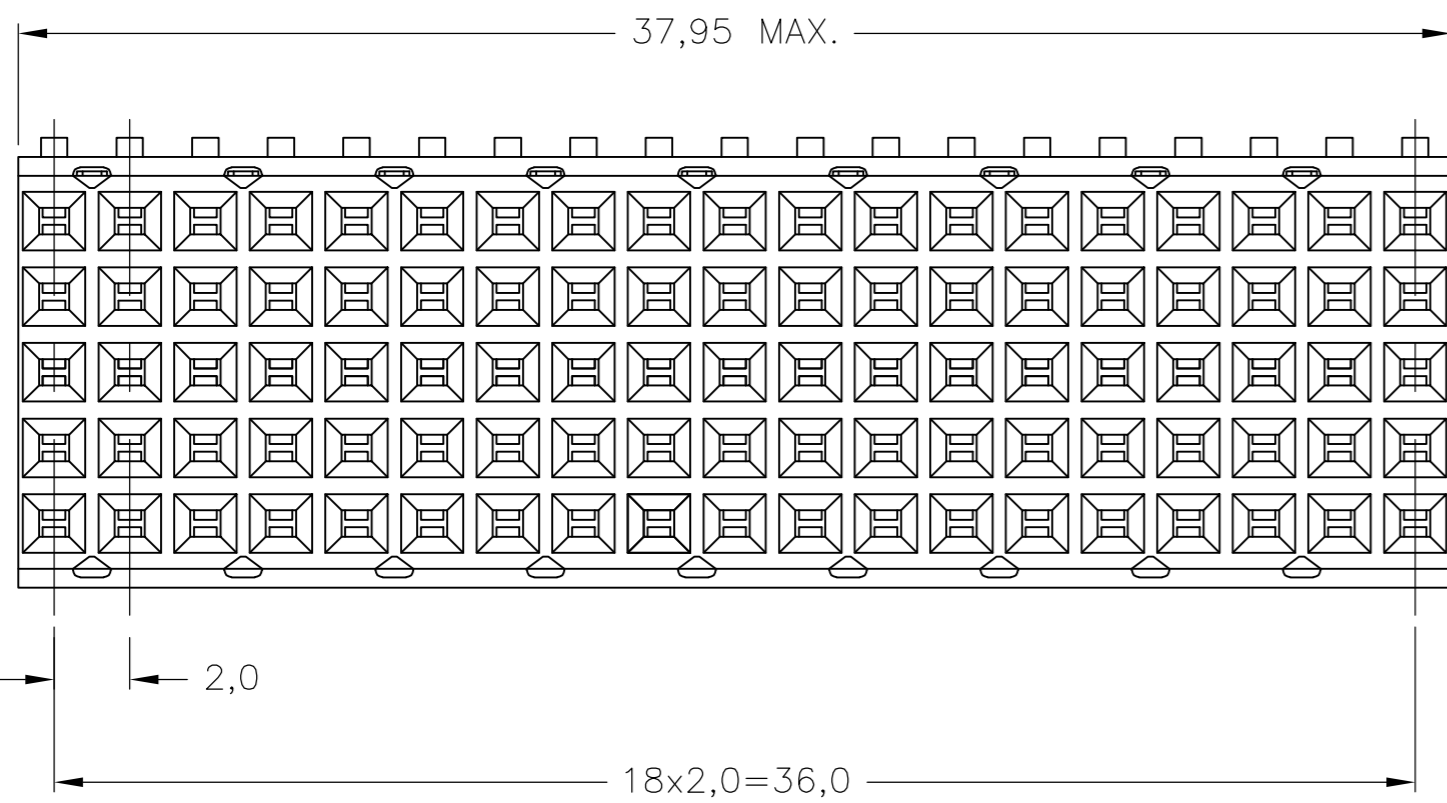
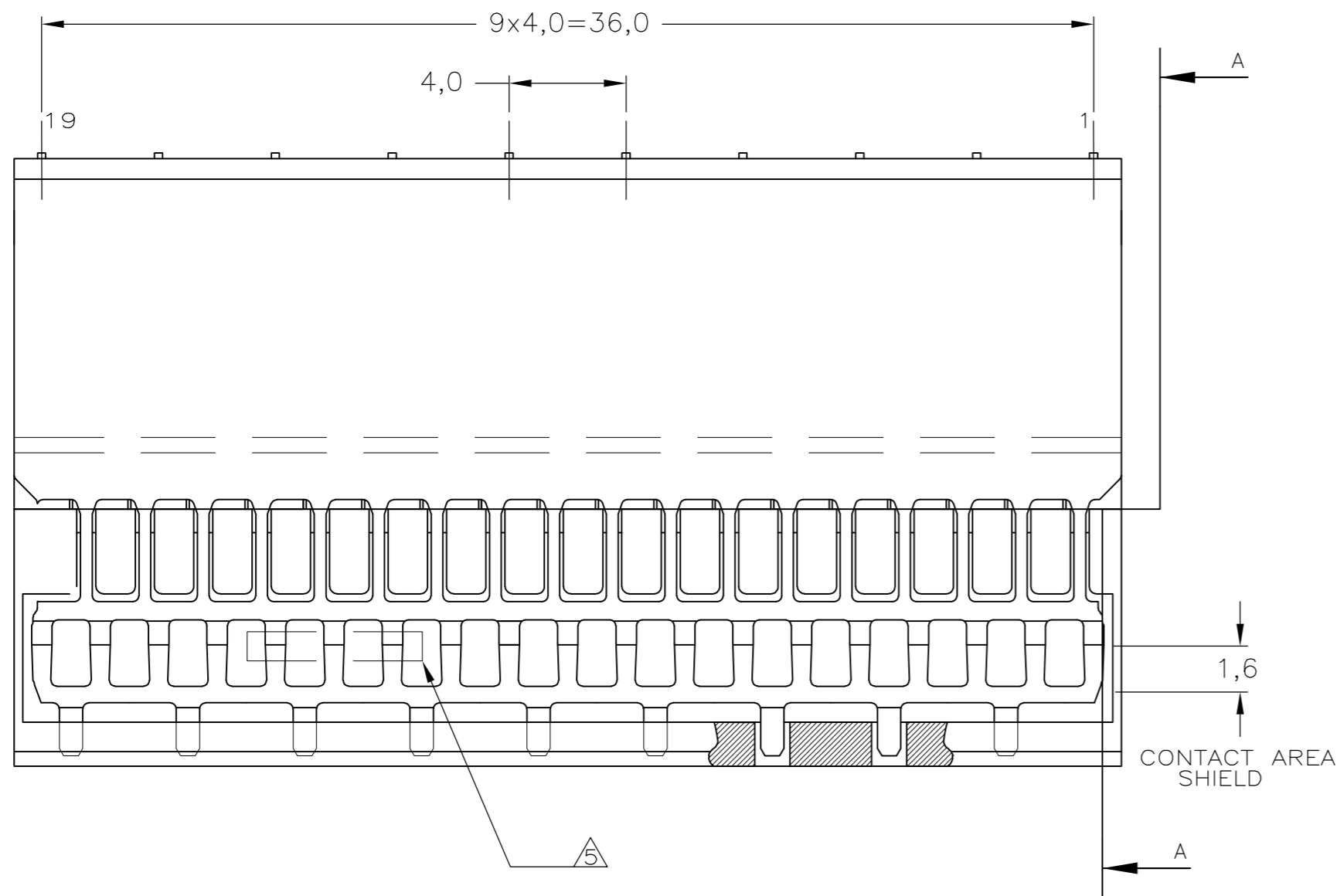
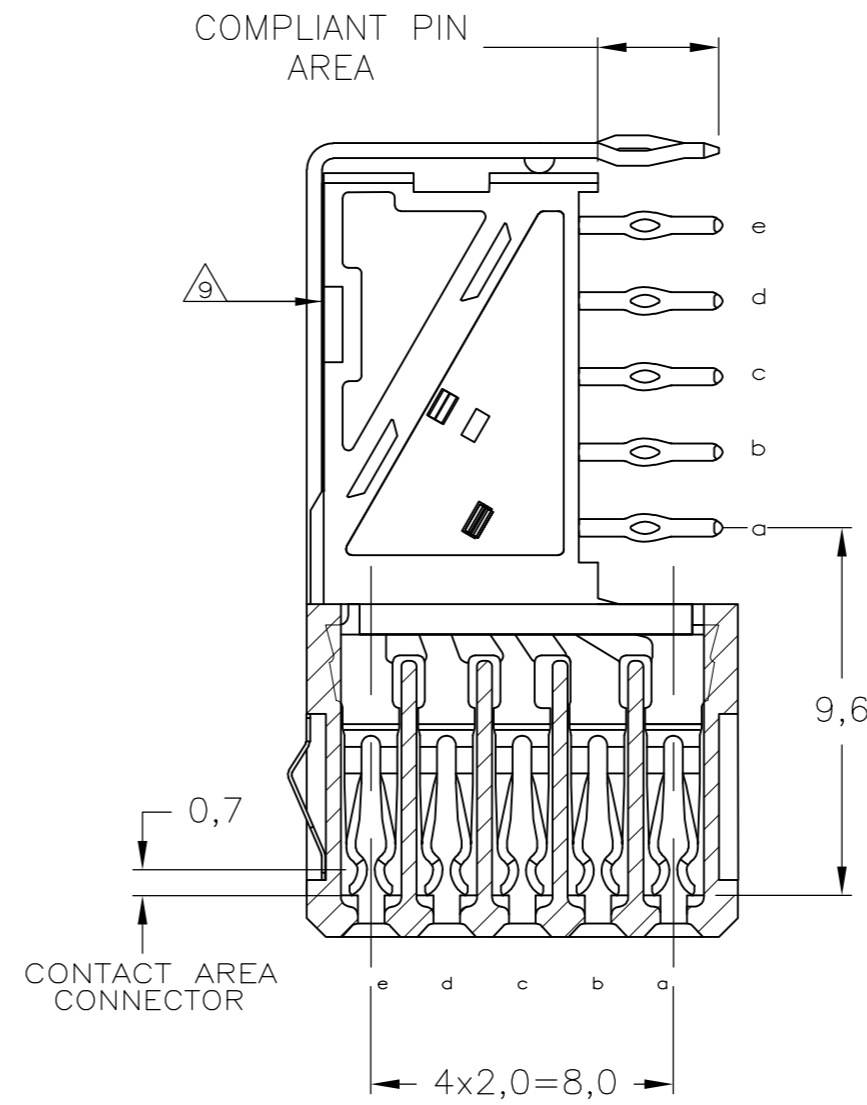


THIS DRAWING IS UNPUBLISHED. RELEASED FOR PUBLICATION  
 © COPYRIGHT - By - ALL RIGHTS RESERVED.

LOC		DIST		REVISIONS			
P	LTR	DESCRIPTION	DATE	DWN	APVD		
B		REVISED PER ECO-14-009607	27JUN2014	SY	FY		

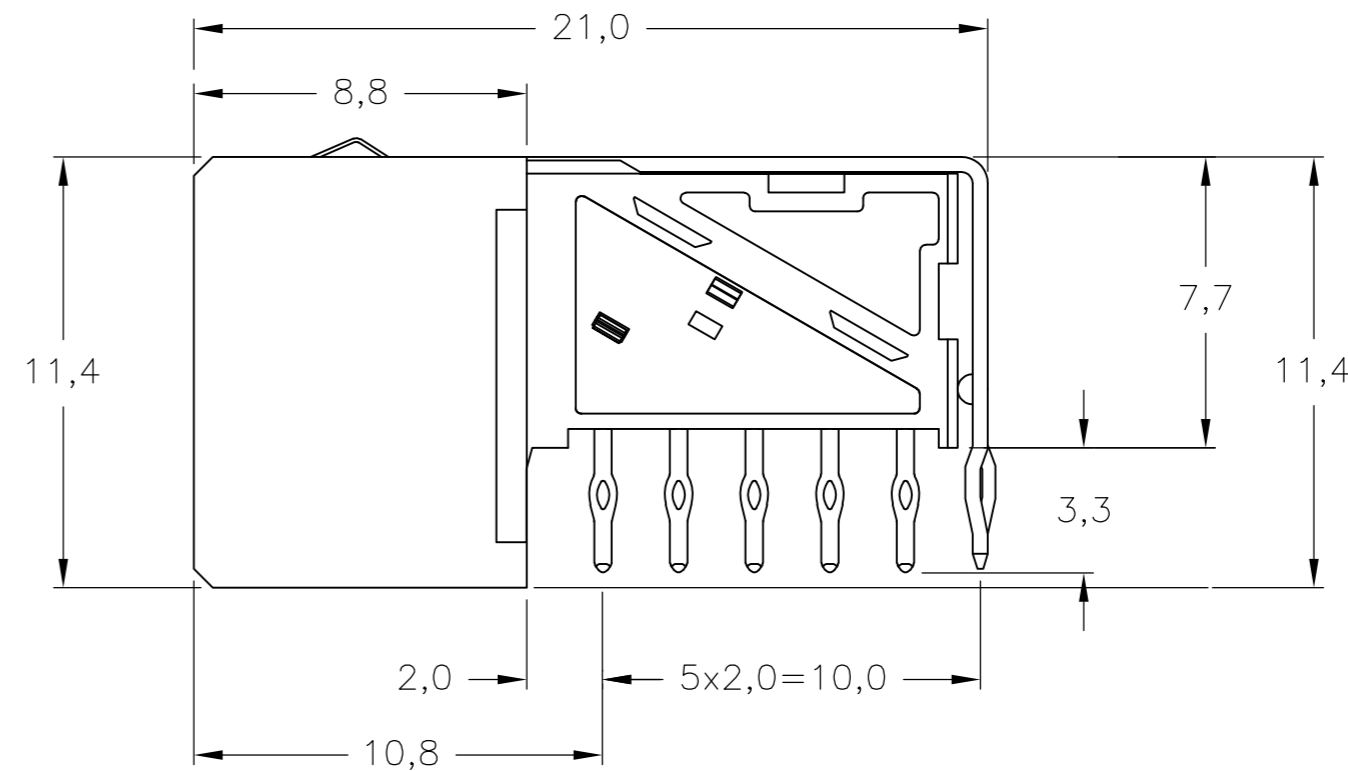


SECTION A-A

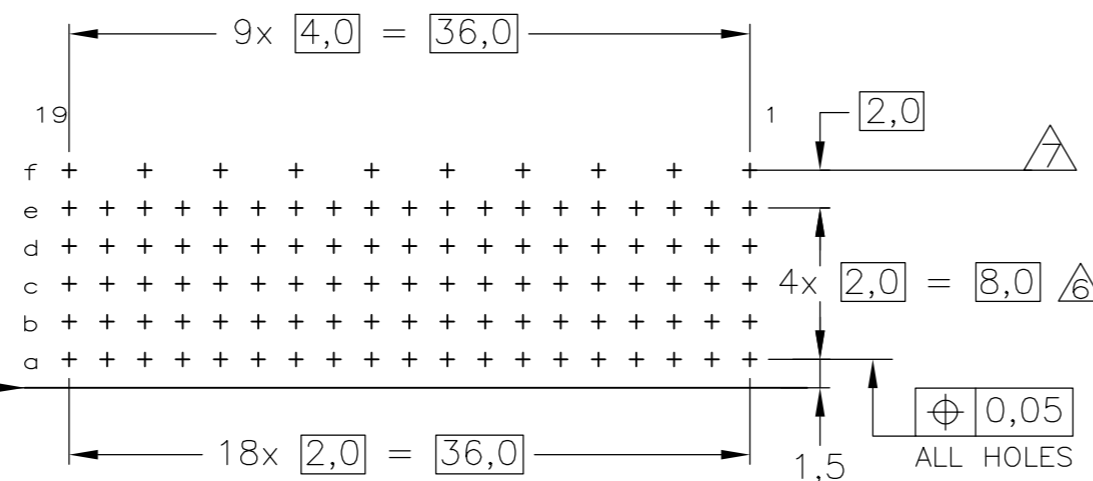


NOTES:

- 1 MATERIAL CONTACTS; PHOSPHORBRONZE
- 2 MATERIAL HOUSING; GLASSFILLED POLYESTER (GRAY)
- 3 GENERAL PLATING SPECIFICATION: UNDERPLATING (ENTIRE CONTACT): 1,27µm NICKEL MIN. AND COMPLIANT PIN SECTION: 0,5µm TIN-LEAD MIN. FOR PLATING OF MATING SURFACES SEE APPLICABLE SPECIFICATION REFERENCE FOR EACH DASH NUMBER.
- 4 CONFORMS TO ALL TESTING ACCORDING IEC 61076-4-101 PERFORMANCE LEVEL 2.
- 5 CONFORMS TO ALL TESTING ACCORDING IEC 61076-4-101 PERFORMANCE LEVEL 1.
- 6 ASSEMBLY PRINTED WITH P/N AND DATECODE THE MARKING CAN APPEAR ON THE FRONT SIDE OR BACK SIDE.
- 7 HOLE PATTERN FOR FEMALE CONNECTOR TYPE B-19 COLUMNS 95 PLATED-THROUGH HOLES AT 2x2mm SQUARE GRID
- 8 ROW "f" 10 PLATED THROUGH HOLES FOR UPERSHIELD CONNECTOR & SHIELD LUBRICATED WITH BELLCORE APPROVED LUBRICANT, TECHNICAL REFERENCE TR-NWT-001217 ISSUE 1, SEPT. 1992. CONNECTOR TESTED AND QUALIFIED AGAINST BELLCORE QUALITY LEVEL III, CENTRAL OFFICE APPLICATIONS
- 9 SHIELD MOUNTED ON CONNECTOR WITH DOUBLE SIDED ADHESIVE TAPE OR ADHESIVE.
- 10 BASIC P.N. LOWERSHIELD: 352029 OR 5352029



COMPONENT SIDE AS SHOWN  
 RECOMMENDED PCB-HOLE LAY-OUT  
 SCALE 2,5:1



P.C.B. HOLE DIM. COMPLIANT PIN  
 FOR DETAILS SEE  
 APPLICATION SPECIFICATION

THIS DRAWING IS A CONTROLLED DOCUMENT.		DWN SANDERS YAN 25NOV2013	2170864-1
DIMENSIONS: mm		CHK -	FINISH 2 3
TOLERANCES UNLESS OTHERWISE SPECIFIED: ±0.2		APVD FRANK YANG 25NOV2013	MATERIAL 1
6-PLG ±		NAME	PARTNUMBER
1-PLG ±		108-19082	TE Connectivity
2-PLG ±		APPLICATION SPEC	Z-PACK 2mm HM
3-PLG ±		114-19029	TYPE B - 19 COLUMNS
4-PLG ±		WEIGHT	PRE-SHIELDED RECEPTACLE
ANGLES ±		SIZE A2	RESTRICTED TO
FINISH		CAGE CODE 00779	DRAWING NO C=2170864
MATERIAL		SCALE 5:1	SHEET 1 of 1
CUSTOMER DRAWING		REV B	