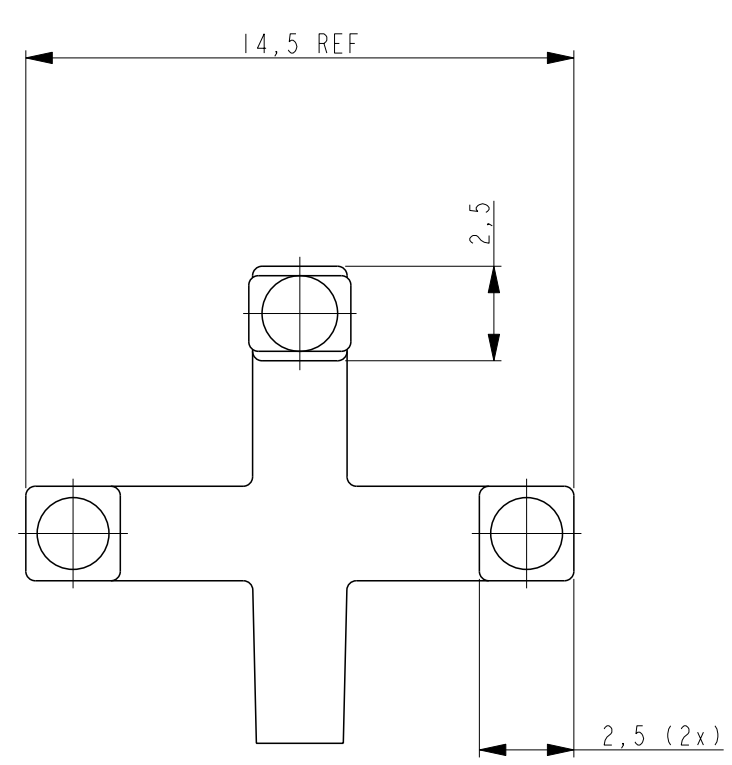
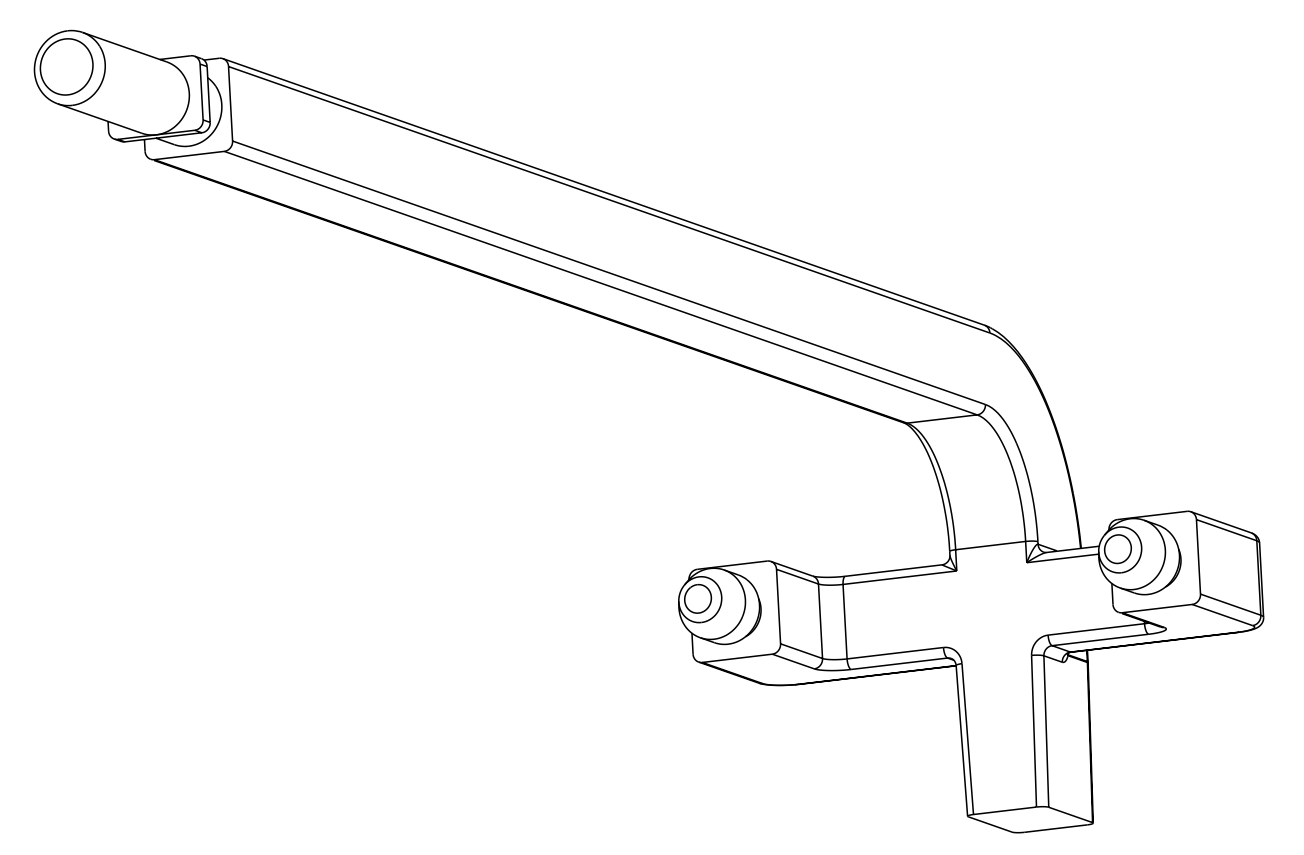


LOC	DIST	REVISIONS			
P	LTB	DESCRIPTION	DATE	DWN	APVD
H	-	I	INITIAL DRAWING	08MAR2012	JvdH TdB



NOTE:
 MATERIAL: POLYCARBONATE, CLEAR



**PRELIMINARY PART
 NOT RELEASED FOR PRODUCTION**
**THIS PRODUCT HAS NOT COMPLETED
 VALIDATION TESTING**

2173481-1
 PART
 NUMBER

THIS DRAWING IS A CONTROLLED DOCUMENT.		DWN: J.V.D.HELJEDEN 07 MAR 2012	TE Connectivity
DIMENSIONS: mm		CHK: B.MOOIJ 07 MAR 2012	
TOLERANCES UNLESS OTHERWISE SPECIFIED:		APVD: T.D.ROER 08 MAR 2012	NAME: LIGHTPIPE, SINGLE, BEHIND BEZEL, ZOSFP+
9 PLC ±0.5	3 PLC ±0.25	PRODUCT SPEC	SIZE: CAGE CODE: DRAWING NO: RESTRICTED TO
2 PLC ±0.1	5 PLC ±	APPLICATION SPEC	114-32021 A1 00779 C=2173481
4 PLC ±	ANGLES ±	WEIGHT	SCALE: 8:1 SHEET 1 OF 1 REV
MATERIAL: -	FINISH: -	CUSTOMER DRAWING	