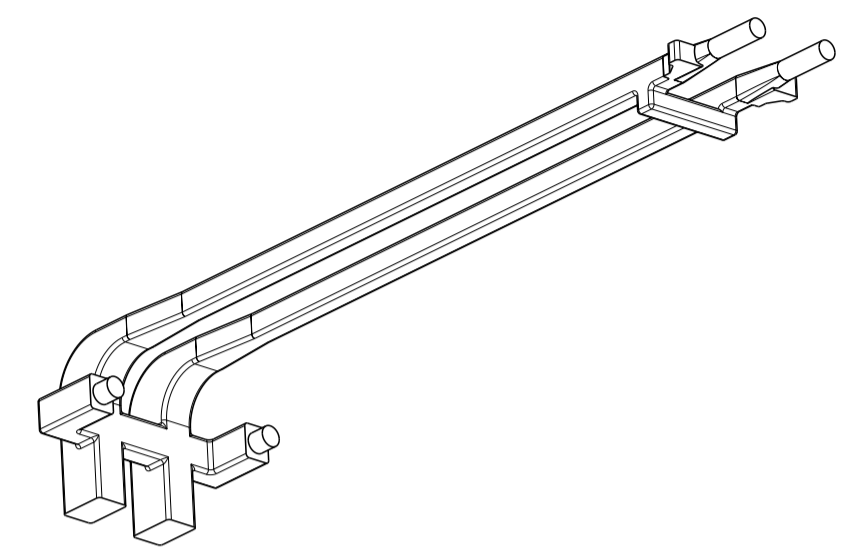
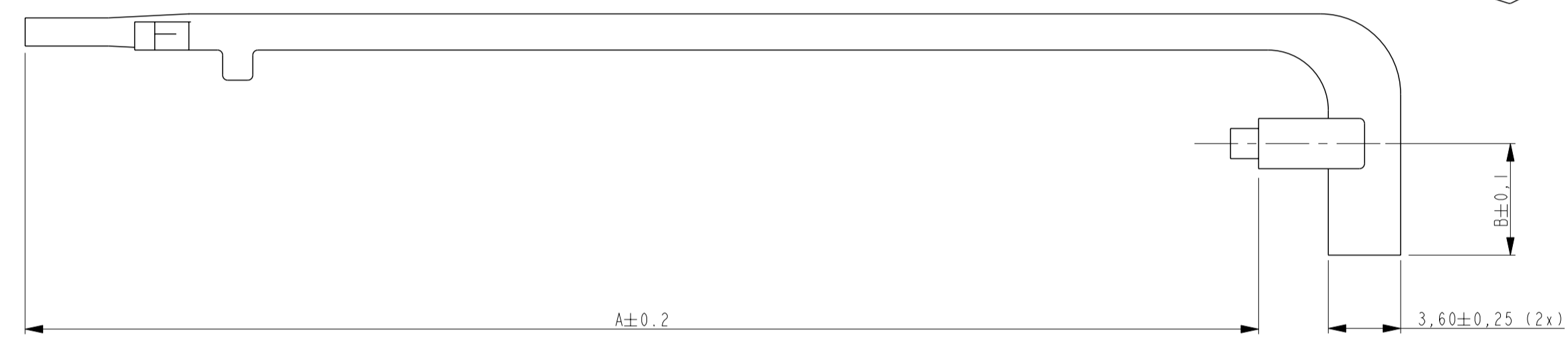
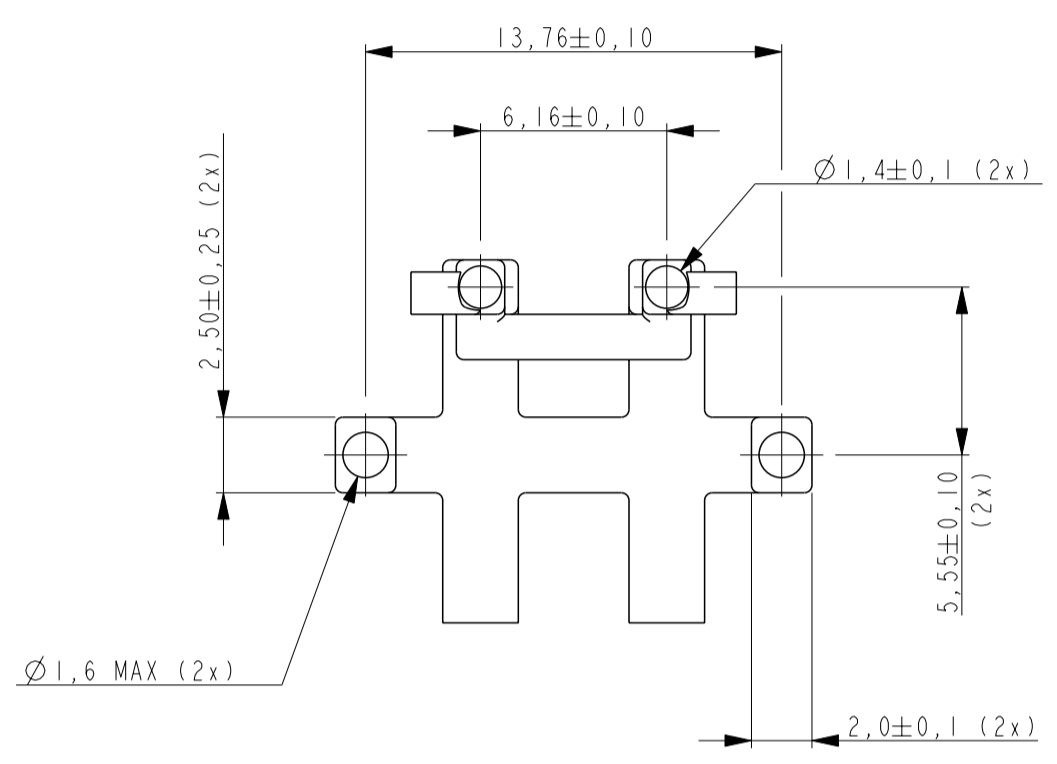
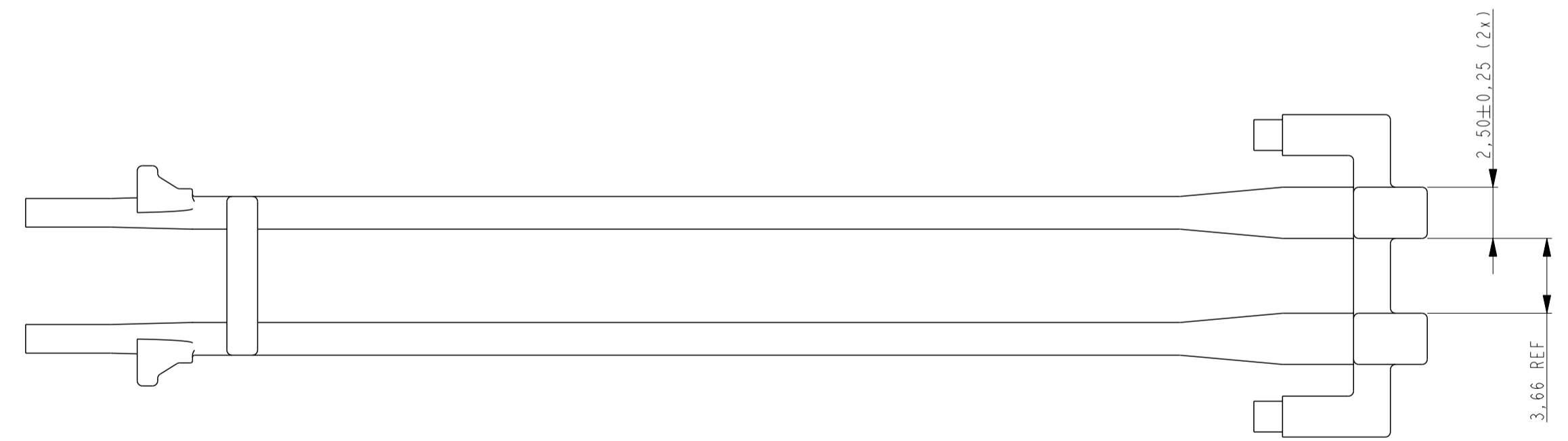


THIS DRAWING IS UNPUBLISHED. RELEASED FOR PUBLICATION 2007
 © COPYRIGHT - BY TYCO ELECTRONICS CORPORATION. ALL RIGHTS RESERVED.

LOC	DIST	REVISIONS			
P	LTR	DESCRIPTION	DATE	DWN	APVD
H	-	1	INITIAL DRAWING	08MAR2012	JvdH TdB



NOTE:
 ⚠ MATERIAL: POLYCARBONATE, CLEAR.



6,00	57,69	2173482-7
6,00	58,49	2173482-3
5,55	57,69	2173482-2
5,55	61,39	2173482-1
B	A	PART NUMBER

**PRELIMINARY PART
 NOT RELEASED FOR PRODUCTION**
**THIS PRODUCT HAS NOT COMPLETED
 VALIDATION TESTING**

THIS DRAWING IS A CONTROLLED DOCUMENT.		DWN 08 MAR 2012 J.V.D. HELDEN	STE TE Connectivity	
DIMENSIONS: mm		CHK 08 MAR 2012 B. MOOLJ		
TOLERANCES UNLESS OTHERWISE SPECIFIED:		APVD 09 MAR 2012 I.D. BOER	NAME LIGHT PIPE, DOUBLE, BEHIND BEZEL, GANGED zQSFP+	
0 PLC ±		PRODUCT SPEC -	SIZE CAGE CODE DRAWING NO RESTRICTED TO	
1 PLC ±0,5		APPLICATION SPEC 114-32021	A2 00779 C-2173482	
2 PLC ±0,13		WEIGHT -	SCALE 4:1 SHEET 1 OF 1 REV 1	
3 PLC ±0,013		CUSTOMER DRAWING		
4 PLC ±0,0001				
ANGLES ±				
FINISH				