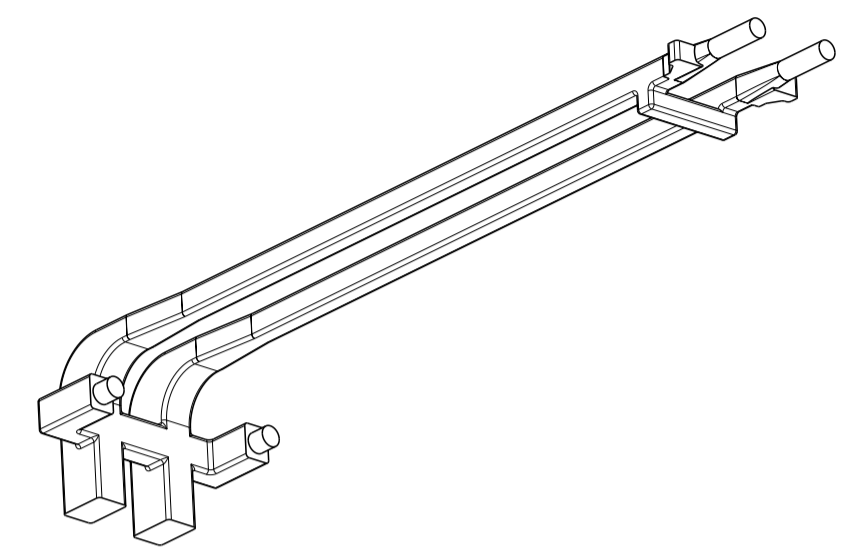
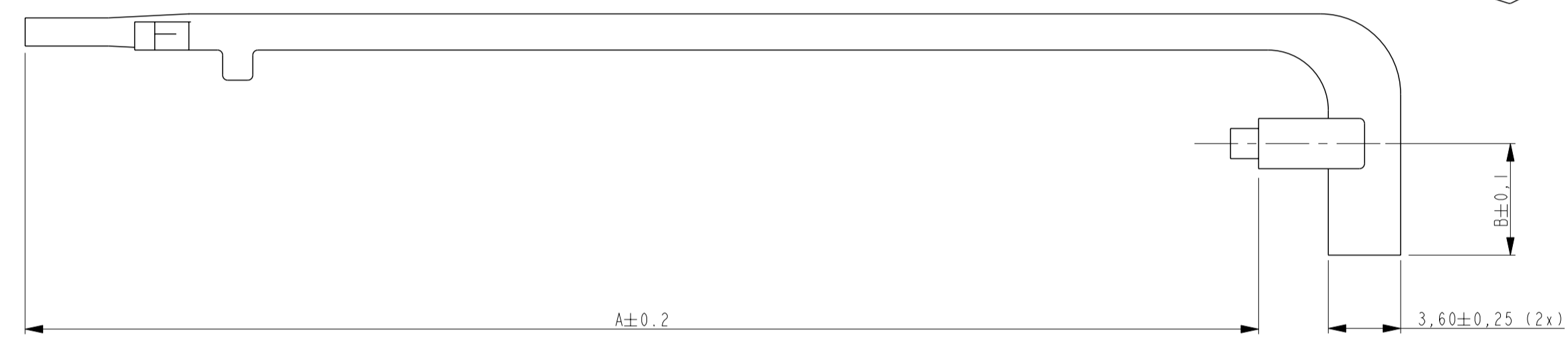
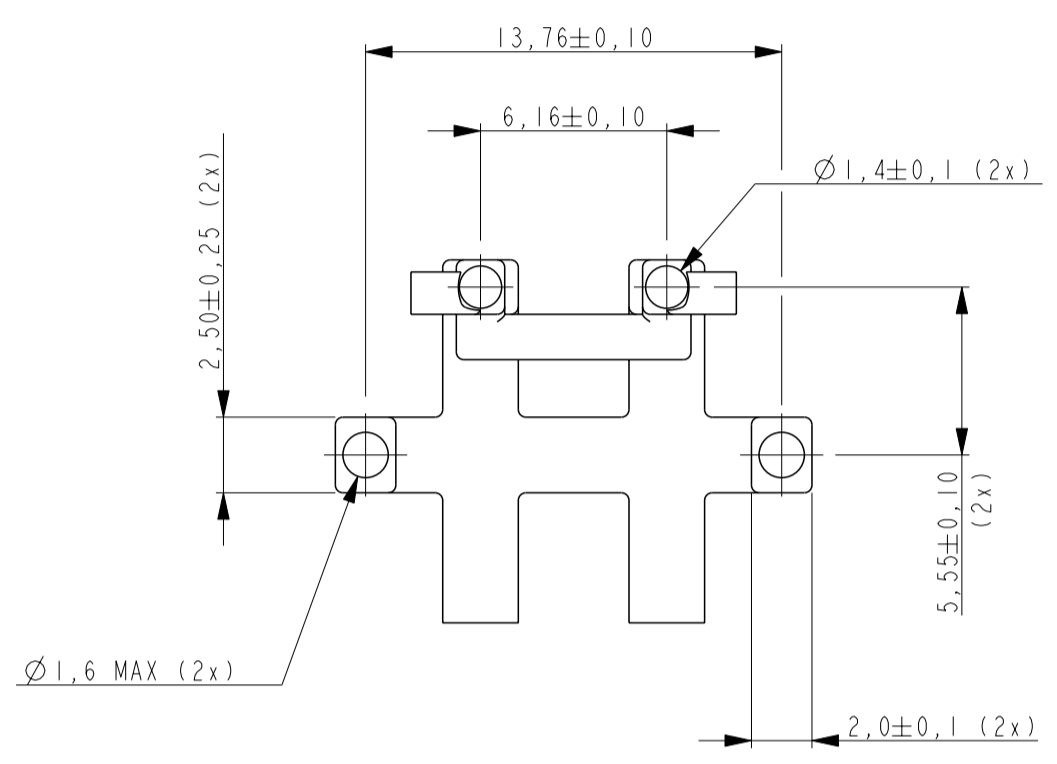
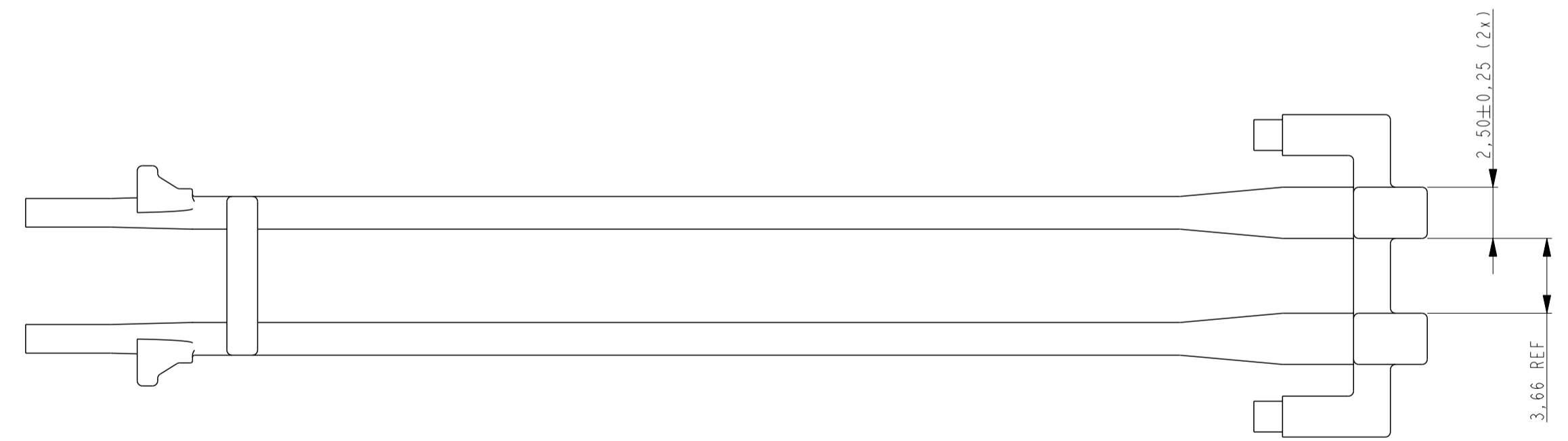


THIS DRAWING IS UNPUBLISHED. RELEASED FOR PUBLICATION 2007
 © COPYRIGHT - BY TYCO ELECTRONICS CORPORATION. ALL RIGHTS RESERVED.

LOC	DIST	REVISIONS			
P	LTR	DESCRIPTION	DATE	DWN	APVD
H	-	1	INITIAL DRAWING	08MAR2012	JvdH TdB



NOTE:
 ⚠ MATERIAL: POLYCARBONATE, CLEAR.



6,00	57,69	2173482-7
6,00	58,49	2173482-3
5,55	57,69	2173482-2
5,55	61,39	2173482-1
B	A	PART NUMBER

**PRELIMINARY PART
 NOT RELEASED FOR PRODUCTION**
**THIS PRODUCT HAS NOT COMPLETED
 VALIDATION TESTING**

THIS DRAWING IS A CONTROLLED DOCUMENT.

DIMENSIONS:	TOLERANCES UNLESS OTHERWISE SPECIFIED:	DWN	08 MAR 2012	TE Connectivity
mm	0 PLC ±	CHK	08 MAR 2012	
	1 PLC ±0,5	APVD	09 MAR 2012	
	2 PLC ±0,13	PRODUCT SPEC		
	3 PLC ±0,013	APPLICATION SPEC	114-32021	NAME
	4 PLC ±0,0001	WEIGHT	-	LIGHT PIPE, DOUBLE, BEHIND BEZEL, GANGED zQSFP+
MATERIAL	FINISH	CUSTOMER DRAWING	SCALE 4:1	SIZE
				A2
				CAGE CODE
				00779
				DRAWING NO
				C-2173482
				RESTRICTED TO
				-
				SHEET
				1
				OF
				1
				REV
				1