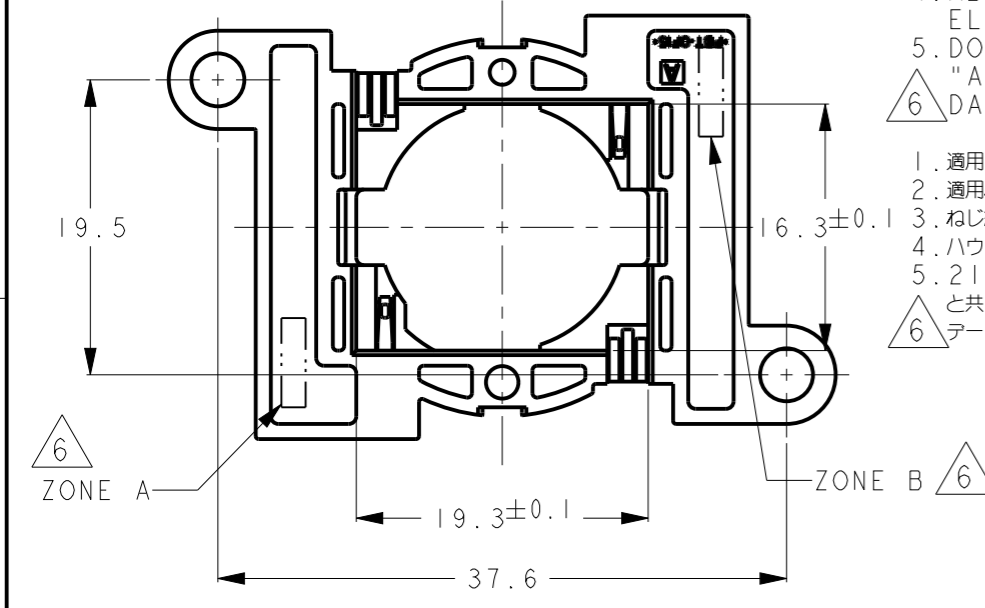
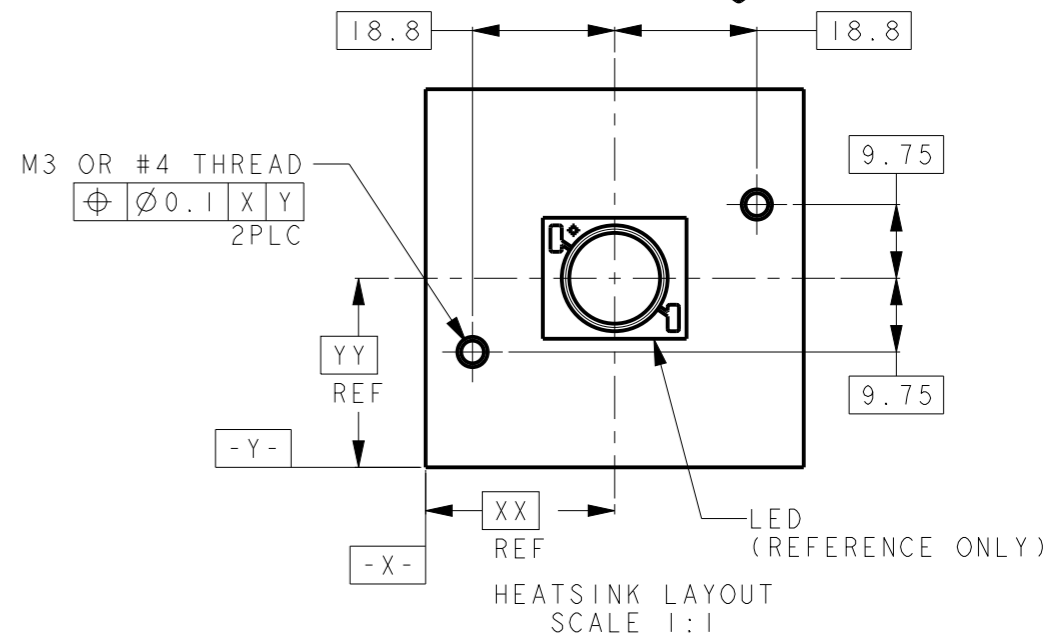
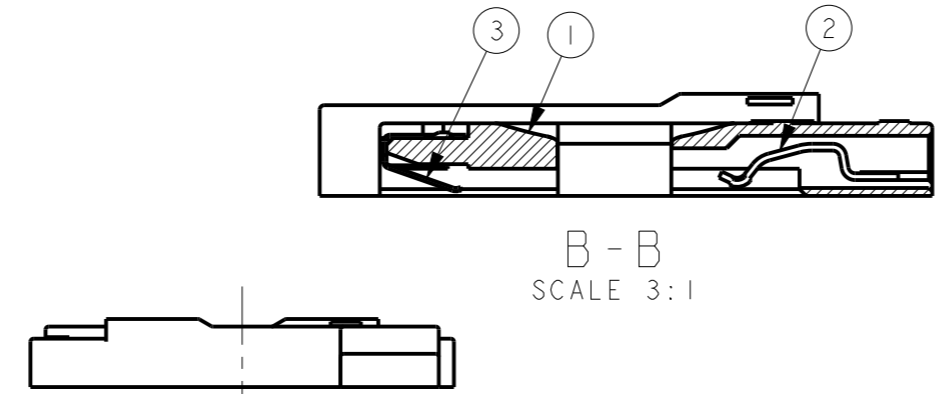
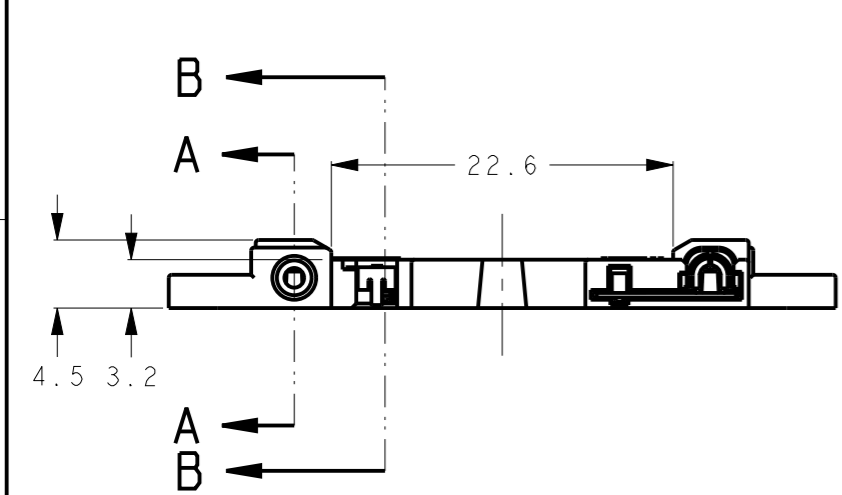
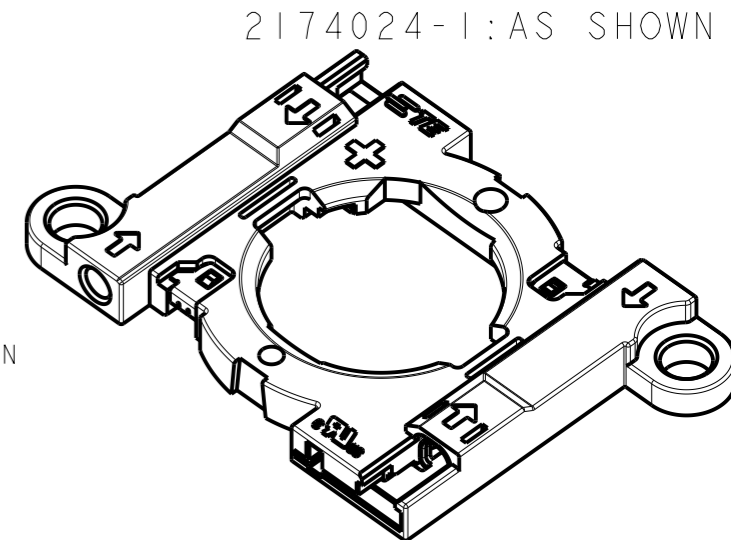
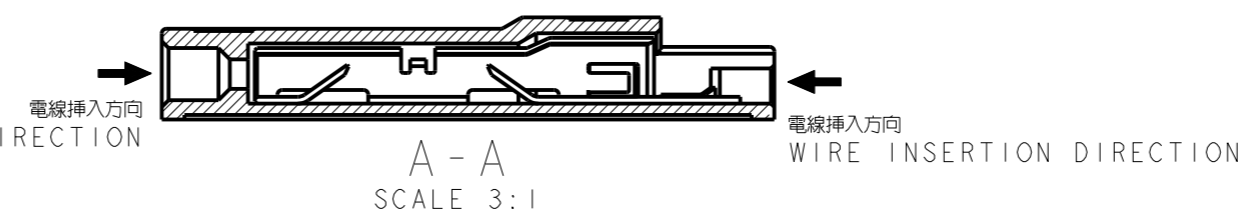
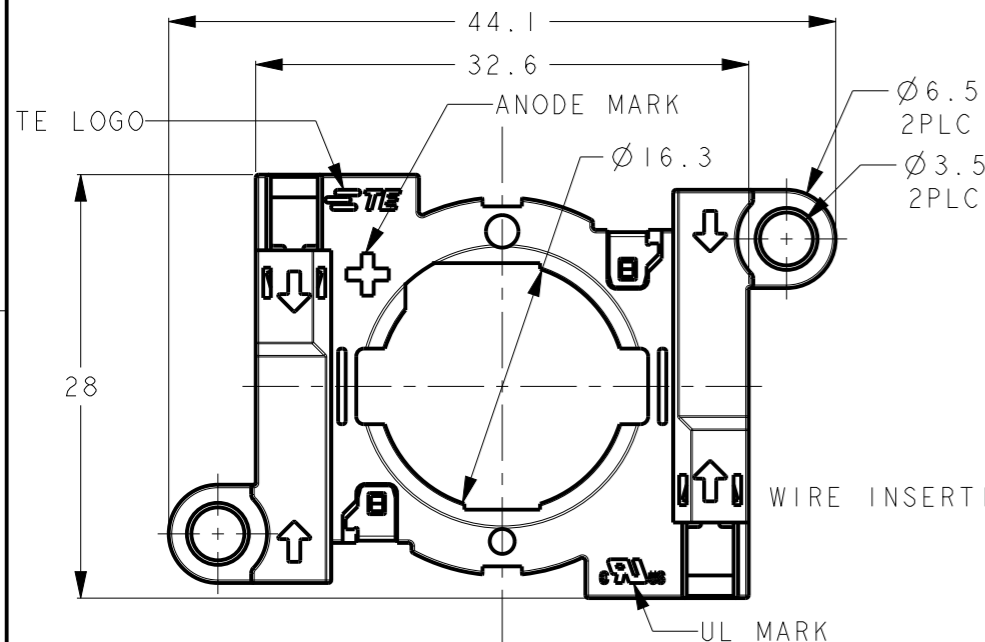


THIS DRAWING IS UNPUBLISHED. RELEASED FOR PUBLICATION XXXXX2011
 © COPYRIGHT 2011 BY Tyco Electronics Japan G.K. ALL RIGHTS RESERVED.

LOC	DIST	REVISIONS				
P	LTR	DESCRIPTION	DATE	DWN	APVD	
J	-	B	REVISED	09DEC2011	T.N	N.Y
		C	REVISED(ECR-14-000923)	21JAN2014	T.N	N.Y



1. APPLICABLE LED : NICHIA CORPORATION, COB-L SERIES
2. APPLICABLE SCREW : M3 OR #4
3. SCREW TIGHTENING TORQUE : 0.28N·m TO 0.45N·m
4. ABOUT HOUSING VISUAL STANDARD : TO CONFORM TYCO ELECTRONICS CORPORATION INTERNAL RULE.
5. DON'T USE 2174024-1 TOGETHER WITH "A LENS SUPPORTED BY A COVER".
6. DATE CODE IS MARKED ON ZONE A OR ZONE B.

1. 適用LED : 日亜化学工業株式会社 COB-Lシリーズ
2. 適用ねじ : M3または#4
3. ねじ締めトルク値 : 0.28N·m~0.45N·m
4. ハウジングの外観基準 : タイコエレクトロニクス規定に準拠
5. 2174024-1は「カバーによって支えられているレンズ」と共に使用なきこと。
6. デートコードはZONE A, もしくはZONE Bに印字する。

FINISH	MATERIAL	DESCRIPTION	ITEM
LED CONTACT AREA : GOLD PLATED ALL OVER UNDER NICKEL PLATED	STAINLESS STEEL	SPRING PLATE	③
	COPPER ALLOY	CONTACT	②
	PBT-GF, COLOR:NATURAL	HOUSING	①

THIS DRAWING IS A CONTROLLED DOCUMENT.		DWN T. NAGASAKI 26OCT2011		TE Connectivity LUMAWISE LED HOLDER TYPE NL2	
DIMENSIONS: mm		CHK M. HARASAWA 26OCT2011			
TOLERANCES UNLESS OTHERWISE SPECIFIED: ±0.15		APVD N. YAMASAKI 26OCT2011			
0 PLC ± 1 PLC ± 2 PLC ± 3 PLC ± 4 PLC ± ANGLES ±3°		PRODUCT SPEC 108-78865			
MATERIAL SEE TABLE		FINISH SEE TABLE		APPLICATION SPEC 114-5491	
		WEIGHT 2.95g		SIZE A300779	
		Customer Drawing		CAGE CODE G-2174024	
				DRAWING NO	
				RESTRICTED TO	
				SCALE SHEET OF REV C	