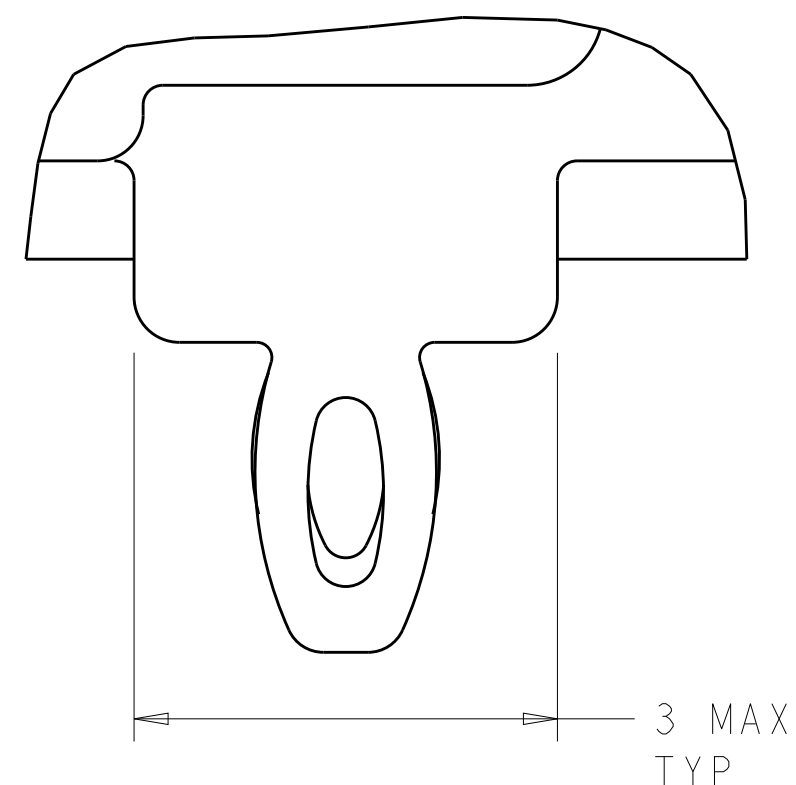


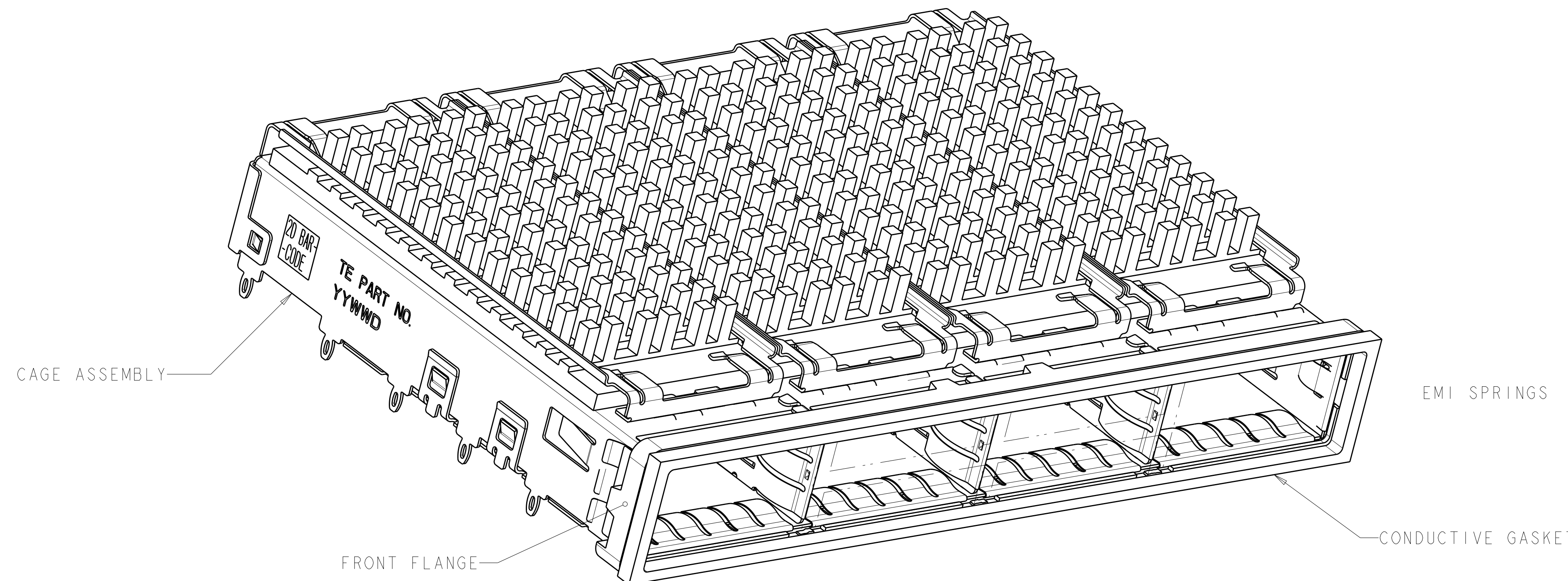
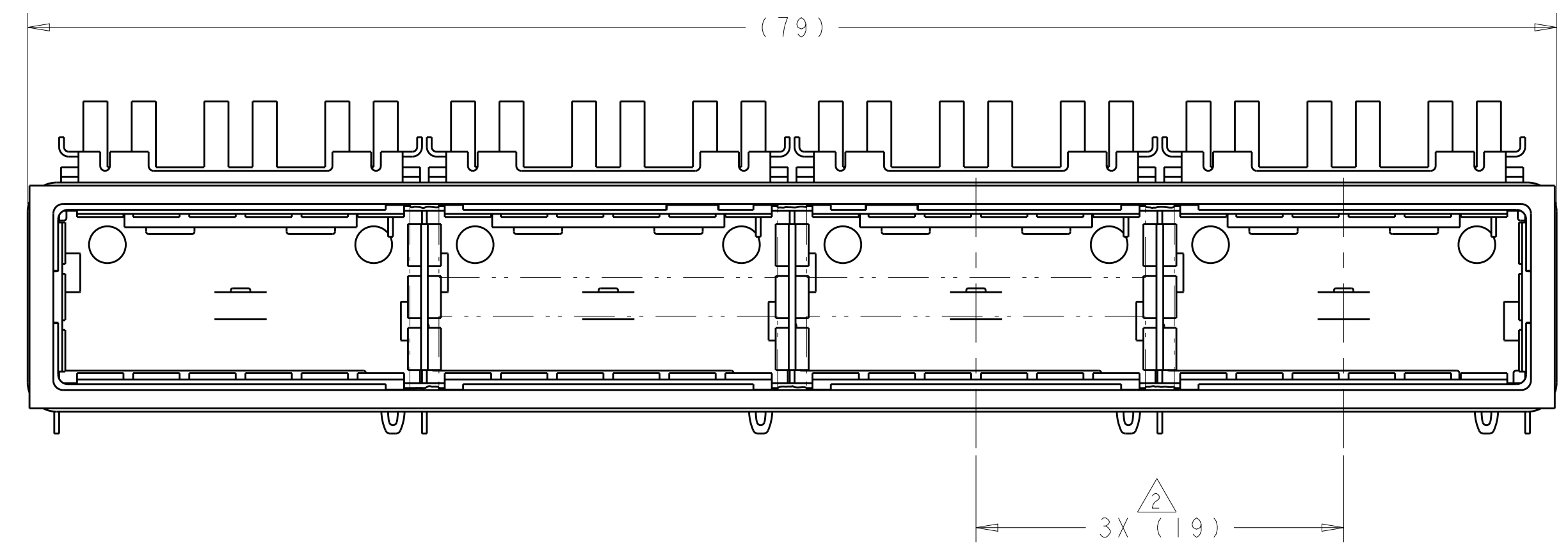
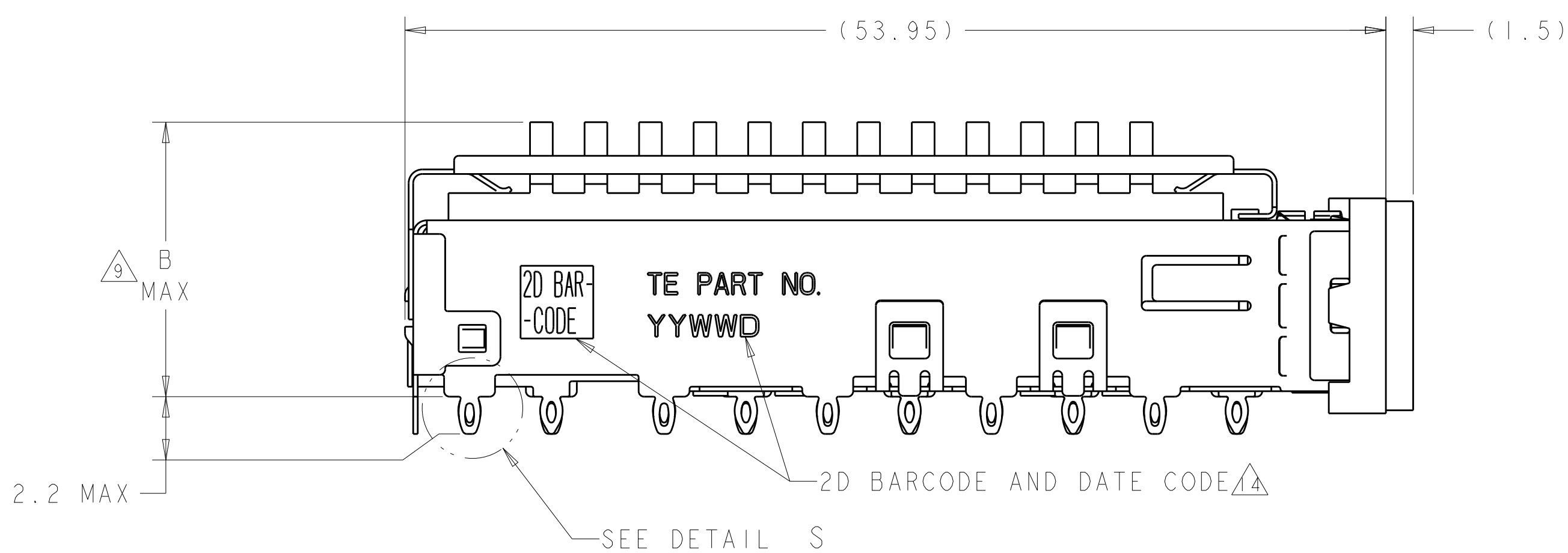
LOC	DIST	REVISIONS					
		P	LTN	DESCRIPTION	DATE	DMN	APVD
GP	00	I		PRELIMINARY	23FEB2012	KS	AC
		A		REVISED PER ECR-12-006970	17APR2012	KS	AC
		B		REVISED PER ECO-15-005721	4AUG2015	RG	SH



DETAIL S  $\Delta 12$   
 SCALE 20:1

- $\Delta 1$  CAGE ASSEMBLY MATERIAL: NICKEL SILVER, 0.25 THICK  
 HEAT SINK MATERIAL: ALUMINUM  
 HEAT SINK CLIP MATERIAL: STAINLESS STEEL  
 EMI SPRING MATERIAL: COPPER ALLOY  
 FRONT FLANGE MATERIAL: ZINC ALLOY  
 CONDUCTIVE GASKET MATERIAL: RUBBER FOAM
  - $\Delta 2$  PITCH BETWEEN PORTS OF ONE 1X4 CAGE ASSEMBLY.
  - $\Delta 3$  SPACING BETWEEN CAGES ON THE SAME PC BOARD, TO BE SPECIFIED BY CUSTOMER, MUST COMPLY WITH MINIMUM DIMENSIONS SHOWN.
  - $\Delta 4$  REFERENCE APPLICATION SPEC 114-13218 FOR RECOMMENDED DRILL HOLE DIAMETER AND PLATING THICKNESS.
  - $\Delta 5$  DATUMS AND BASIC DIMENSIONS ESTABLISHED BY CUSTOMER.
  - $\Delta 6$  DIMENSION C IS THE NOMINAL THICKNESS OF CUSTOMER SUPPLIED PC BOARD, SINGLE SIDED PC BOARD MINIMUM THICKNESS = 1.45mm, DOUBLE SIDED PC BOARD MINIMUM THICKNESS = 2.2mm PER QSFP.
  - $\Delta 7$  HEAT SINKS AND CLIPS SHIPPED ASSEMBLED TO CAGE ASSEMBLY. CAGE ASSEMBLY MAY BE PRESSED INTO THE PCB AS SHIPPED.
  - $\Delta 8$  DATUM -A- IS TOP SURFACE OF PC BOARD.
  - $\Delta 9$  DIMENSION APPLIES WITH MODULE INSERTED IN CAGE.
  - $\Delta 10$  UNPLATED THRU HOLE.
11. MATES WITH QSFP MSA COMPATIBLE TRANSCEIVER.

- $\Delta 12$  SURFACE TRACES PERMITTED WITHIN THIS AREA EXCEPT WHERE CAGE STANDOFFS, SHOWN IN DETAIL S, CONTACT PC BOARD.
- $\Delta 13$  BASELINE FOR THESE DIMENSIONS IS THE CENTER OF COMPLIANT PIN HOLE.
- $\Delta 14$  2D BARCODE AND DATE CODE (YYWW) MARKED ON SIDE OF CAGE.
- $\Delta 15$  REFERENCE APP SPEC 114-13218 FOR GASKET THICKNESS CALCULATION.
- $\Delta 16$  EMI SPRING FINISH: 2 $\mu$ m MINIMUM TIN  
 FRONT FLANGE FINISH: 3 $\mu$ m MINIMUM TIN OVER 1.27 $\mu$ m MINIMUM NICKEL OVER 5.08 $\mu$ m MINIMUM COPPER.  
 HEAT SINK FINISH: NICKEL.



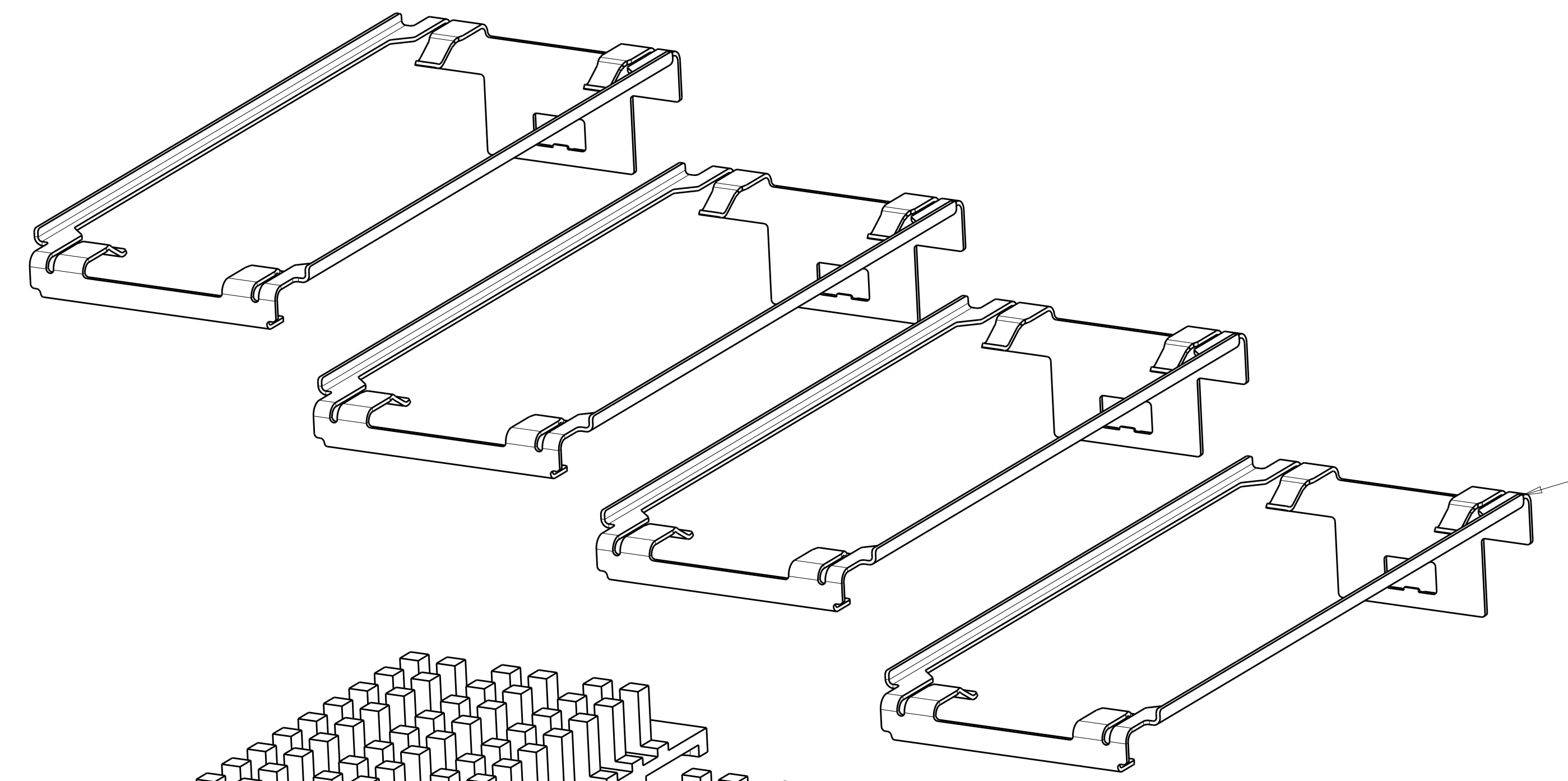
23.0	NETWORKING	2174754-3
16.0	SAN	2174754-2
13.7	PCI	2174754-1
B	HEAT SINK PROFILE	PART NUMBER

THIS DRAWING IS A CONTROLLED DOCUMENT.

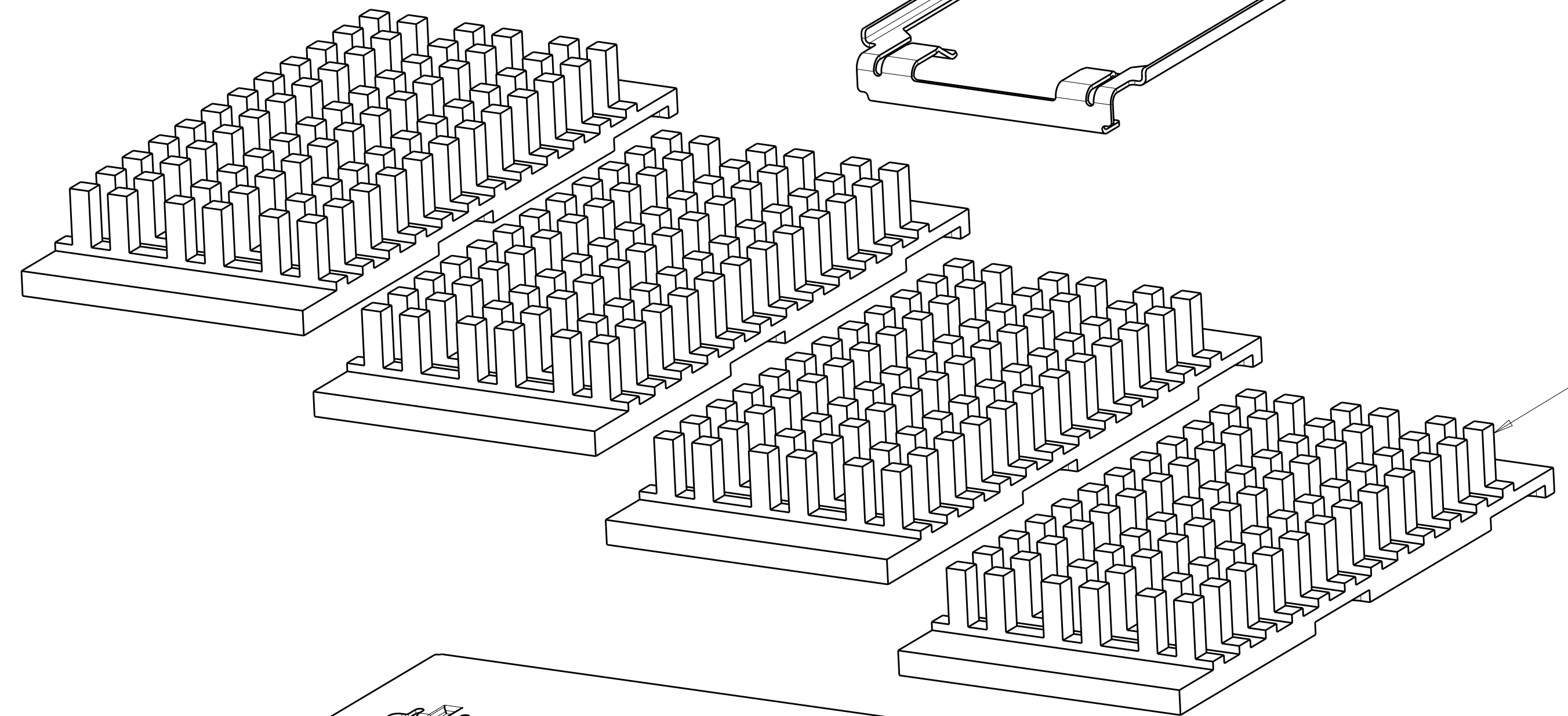
DIMENSIONS:	TOLERANCES UNLESS OTHERWISE SPECIFIED:	DMN: KINSEN SUN 22FEB2012	CHK: DENNY ZHU 22FEB2012	APVD: ALEY CAI 22FEB2012
mm	0 PLC $\pm$ .1 1 PLC $\pm$ 0.1 2 PLC $\pm$ 0.1 3 PLC $\pm$ 0.013 4 PLC $\pm$ 0.0001	PRODUCT SPEC: 108-2286	APPLICATION SPEC: 114-13218	WEIGHT: -
MATERIAL:	FINISH:	NAME: 1X4 CAGE ASSEMBLY, BEHIND BEZEL, W/ HEAT SINKS, CONDUCTIVE GASKET, QSFP		
$\Delta 1$	$\Delta 16$	SIZE: A1	CAGE CODE: 00779	DRAWING NO: C=2174754
CUSTOMER DRAWING		SCALE: 4:1	SHEET: 1	OF: 5

RESTRICTED TO REV B

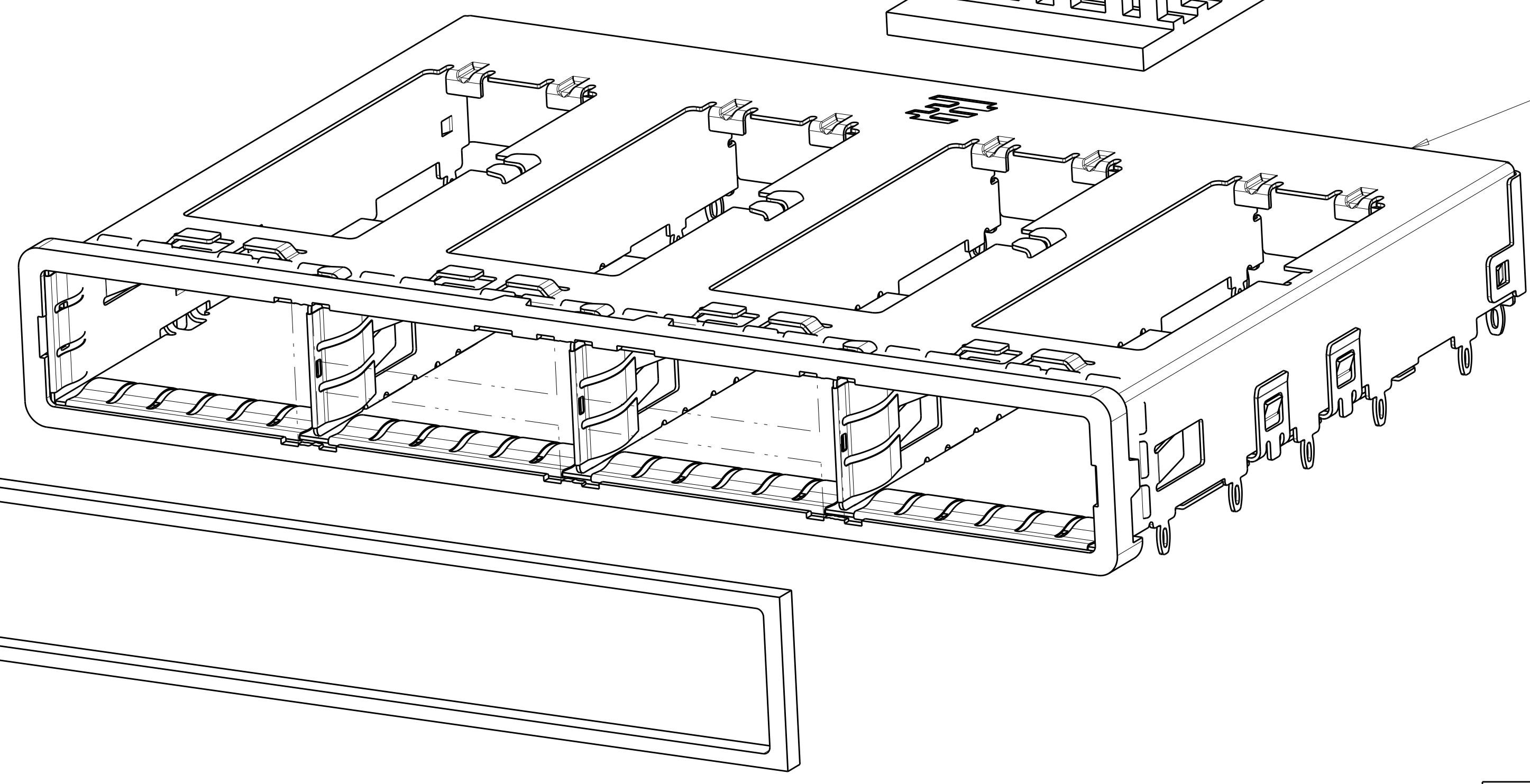
LOC	DIST	REVISIONS			
P	LTN	DESCRIPTION	DATE	OWN	APVD
GP	00	SEE SHEET 1	-	-	-



HEAT SINK CLIPS  
 QUANTITY: 4

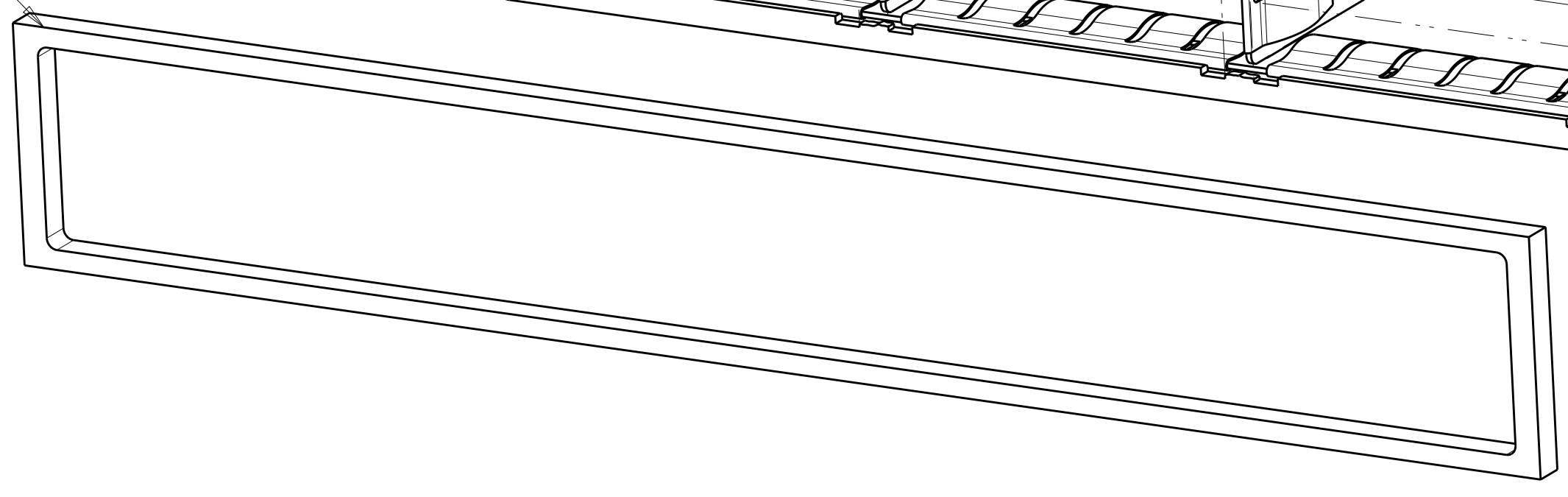


72 PIN HEAT SINKS  
 QUANTITY: 4



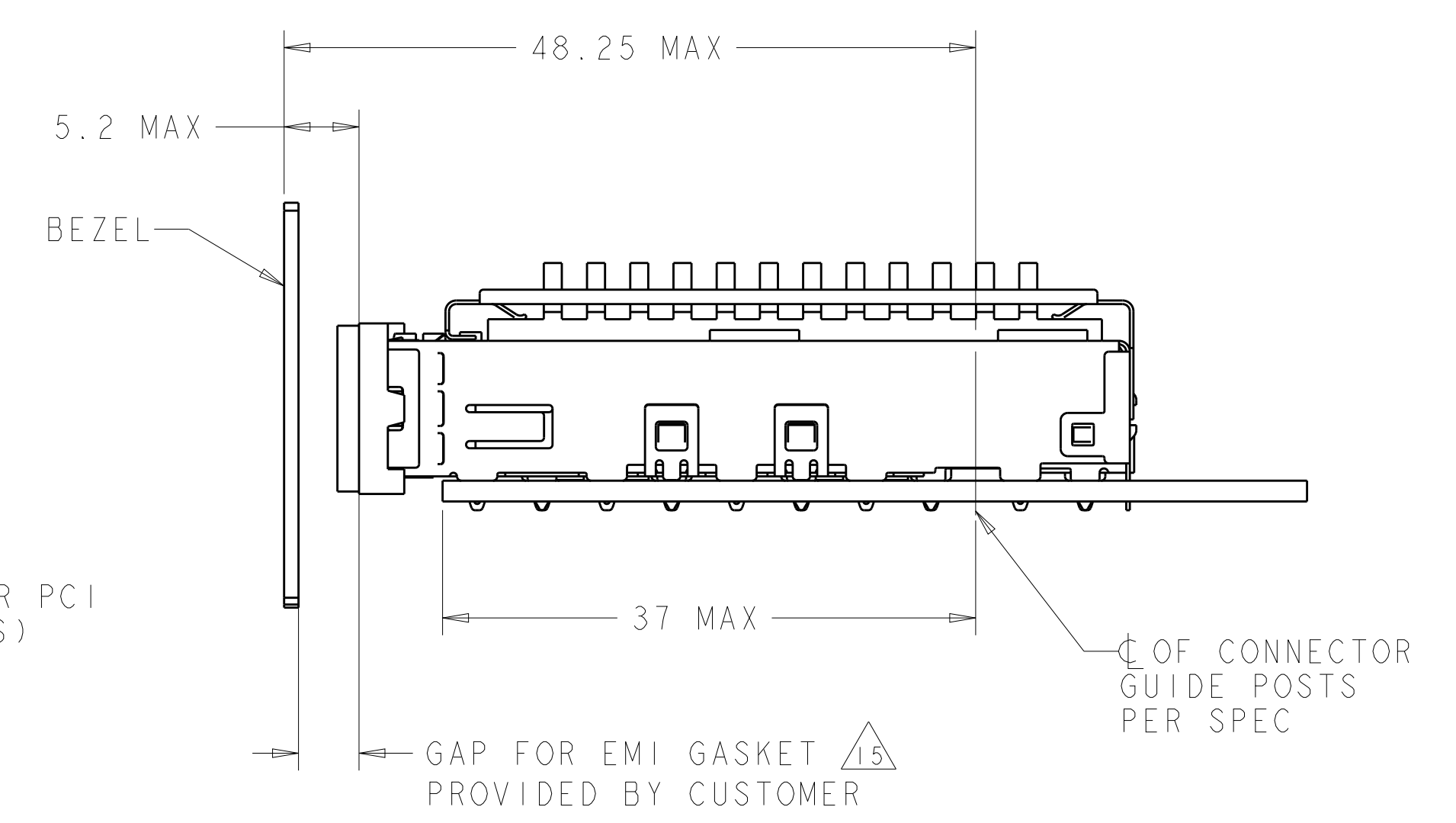
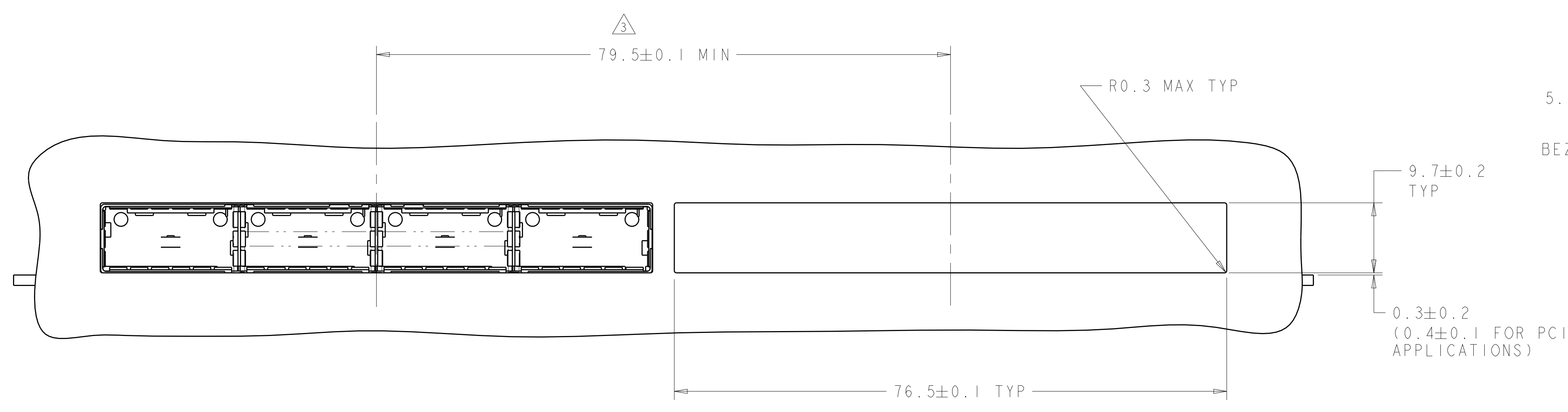
1X4 BEHIND BEZEL QSFP  
 CAGE ASSEMBLY  
 QUANTITY: 1

CONDUCTIVE GASKET  
 QUANTITY: 1

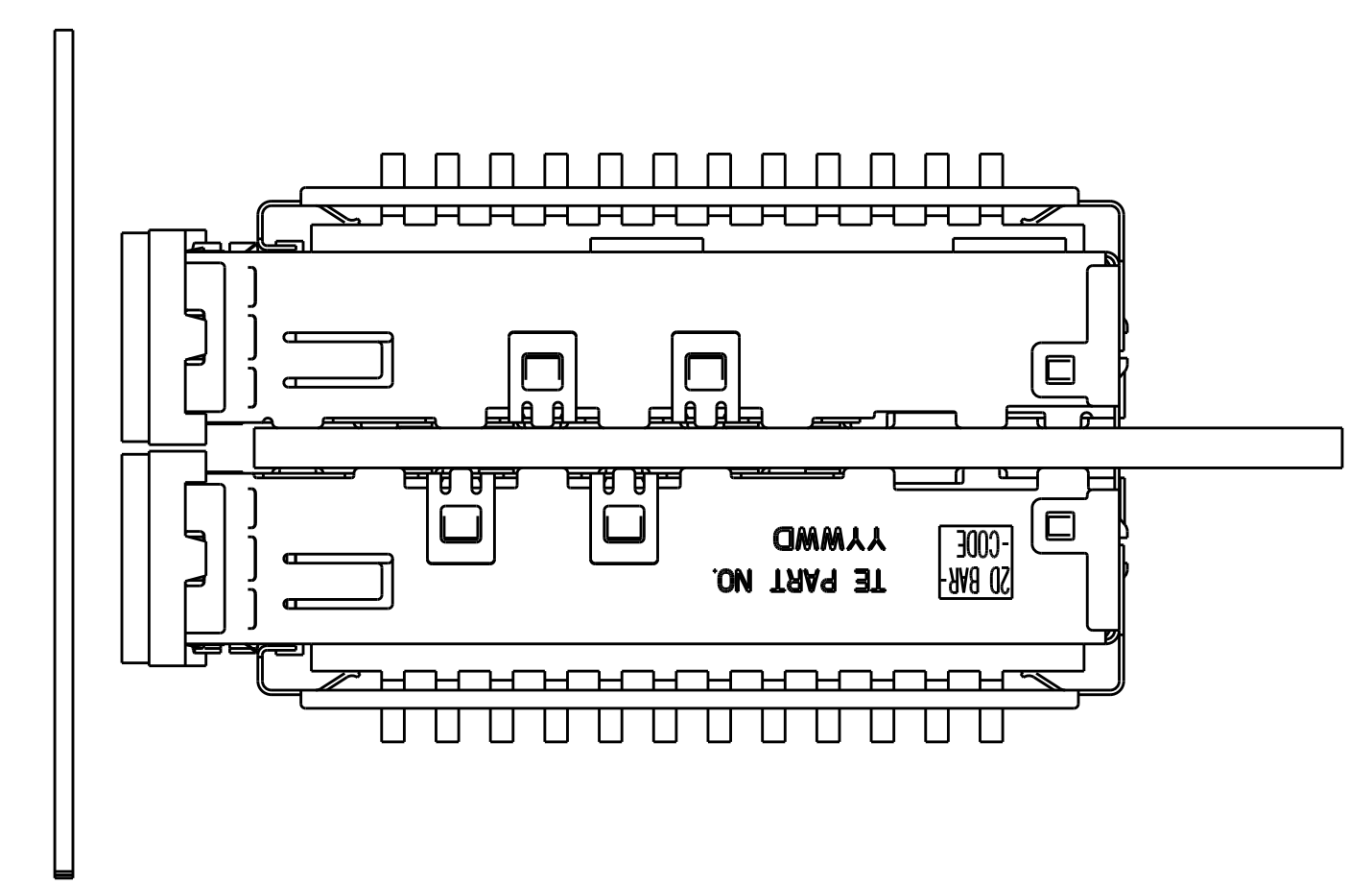
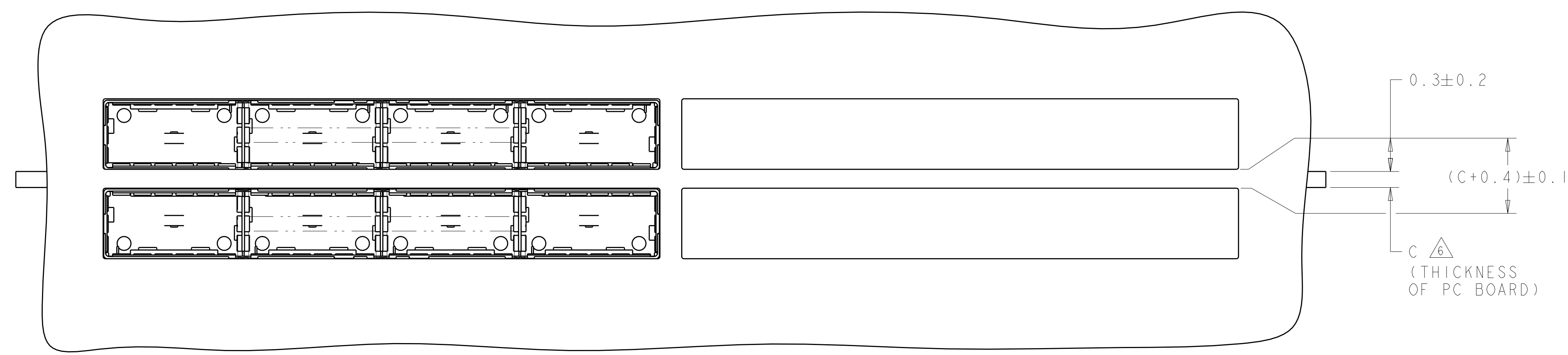


THIS DRAWING IS A CONTROLLED DOCUMENT.		OWN: KINSEN SUN 22FEB2012	
DIMENSIONS: mm		CHK: DENNY ZHU 22FEB2012	
TOLERANCES UNLESS OTHERWISE SPECIFIED: 0 PLC ±.1 1 PLC ±0.1 2 PLC ±0.1 3 PLC ±0.013 4 PLC ±0.0001 ANGLES ±.1		APVD: AILEY CAI 22FEB2012	NAME: 1X4 CAGE ASSEMBLY, BEHIND BEZEL, W/ HEAT SINKS, CONDUCTIVE GASKET, QSFP
		PRODUCT SPEC: 108-2286	RESTRICTED TO:
MATERIAL: -		APPLICATION SPEC: 114-13218	SIZE: A1
FINISH: -		WEIGHT: -	CAGE CODE: 100779
CUSTOMER DRAWING		SCALE: 4:1	DRAWING NO: 2174754
		SHEET: 2 OF 5	REV: B

LOC	DIST	REVISIONS					
GP	00	P	LTN	DESCRIPTION	DATE	DWN	APVD
-	-	-	-	SEE SHEET 1	-	-	-



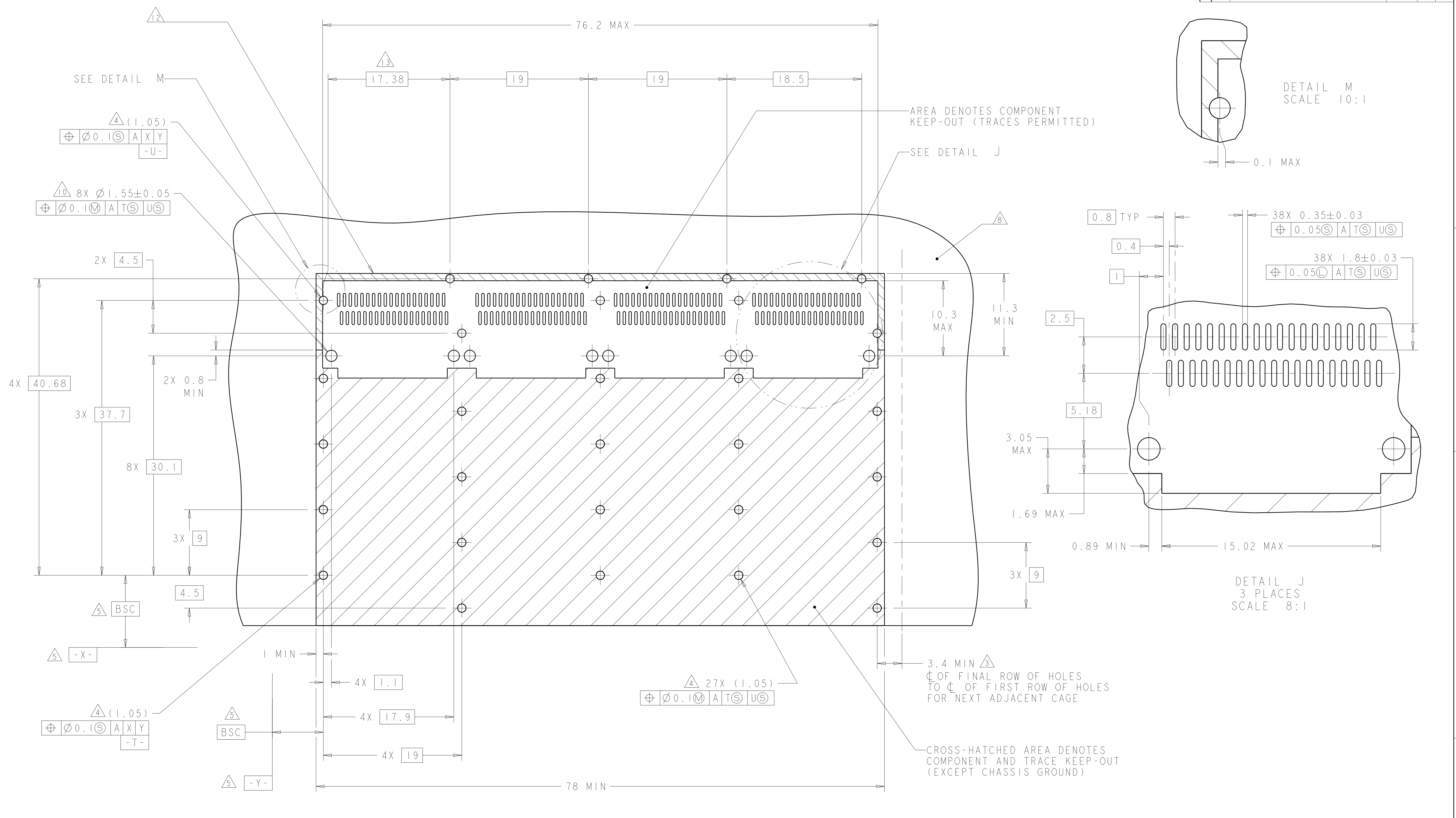
ONE SIDED CONFIGURATION  
 SCALE 5:2



BELLY TO BELLY CONFIGURATION SIMILAR  
 TO ONE SIDED EXCEPT WHERE NOTED  
 SCALE 5:2

THIS DRAWING IS A CONTROLLED DOCUMENT.		DWN: KINSEN SUN 22FEB2012		
DIMENSIONS:		CHK: DENNY ZHU 22FEB2012		
mm	TOLERANCES UNLESS OTHERWISE SPECIFIED:	APVD: AILEY CAI 22FEB2012	NAME: 1X4 CAGE ASSEMBLY, BEHIND BEZEL, W/ HEAT SINKS, CONDUCTIVE GASKET, QSFP	
0 PLC ±.1	1 PLC ±0.1	PRODUCT SPEC	SIZE: CAGE CODE DRAWING NO. RESTRICTED TO	
2 PLC ±0.1	3 PLC ±0.013	108-2286	A100779C=2174754	
4 PLC ±0.0001	ANGLES ±.1	APPLICATION SPEC	SCALE 4:1 SHEET 3 OF 5 REV B	
MATERIAL: -	FINISH: -	114-13218	CUSTOMER DRAWING	
		WEIGHT: -		

LOC	DIST	REV	DESCRIPTION	DATE	OWN	APVD
GP	00		SEE SHEET 1			



RECOMMENDED PC BOARD LAYOUT  
 SINGLE SIDE MOUNT CONFIGURATION  
 SCALE 4:1

THIS DRAWING IS A CONTROLLED DOCUMENT.		OWN: KINSEN SUN 22FEB2012	TE Connectivity
DIMENSIONS: mm		CHK: DENNY ZHU 22FEB2012	
TOLERANCES UNLESS OTHERWISE SPECIFIED:		APVD: ALEY CAI 22FEB2012	NAME: 1X4 CAGE ASSEMBLY, BEHIND BEZEL, W/ HEAT SINKS, CONDUCTIVE GASKET, QSFP PRODUCT SPEC: 108-2286 APPLICATION SPEC: 114-13218 WEIGHT: - CUSTOMER DRAWING
0 PLC $\pm$ 1 PLC $\pm 0.1$ 2 PLC $\pm 0.1$ 3 PLC $\pm 0.013$ 4 PLC $\pm 0.0001$ ANGLES $\pm$		SIZE: CAGE CODE DRAWING NO: A100779C=2174754 RESTRICTED TO: -	
MATERIAL: -		SCALE: 4:1	
FINISH: -		SHEET 4 OF 5	