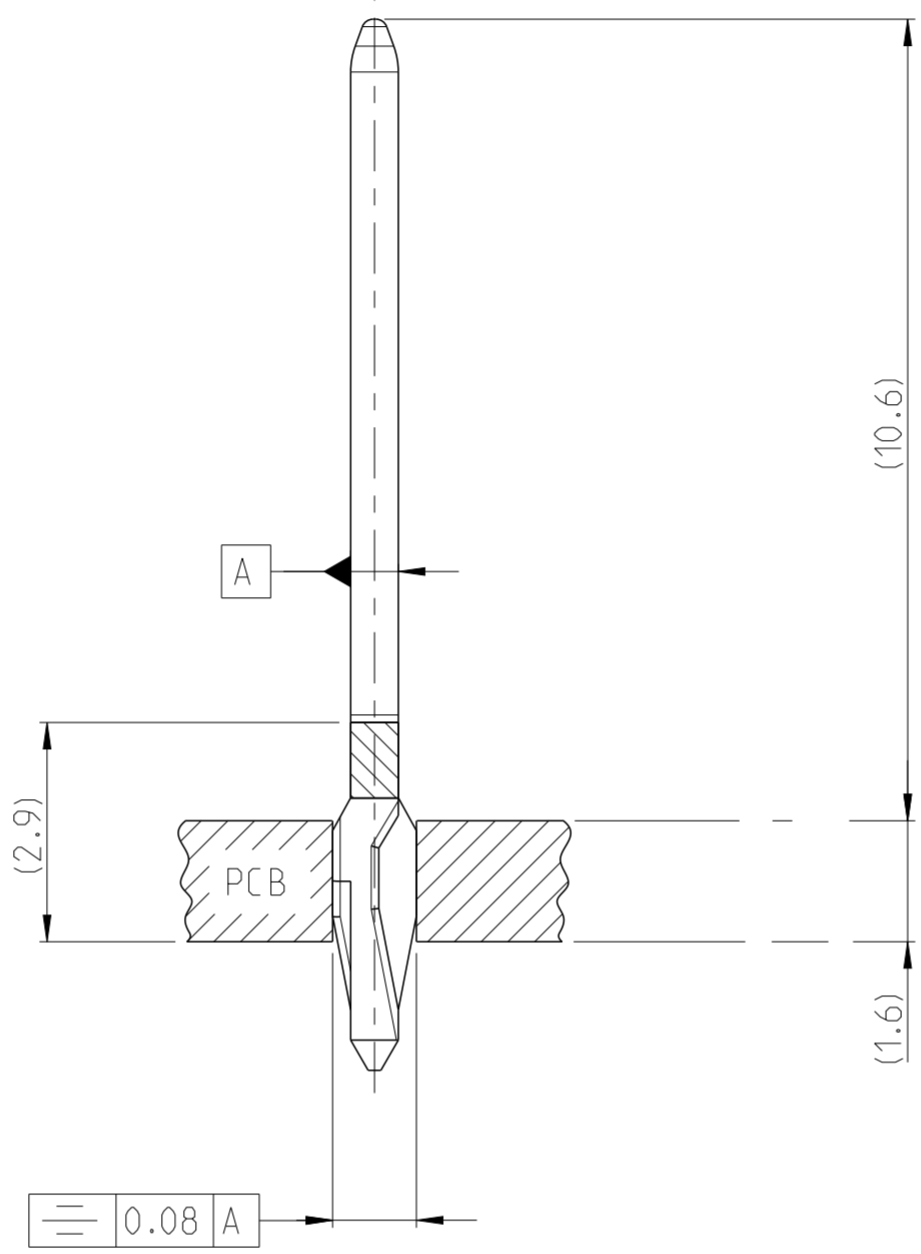
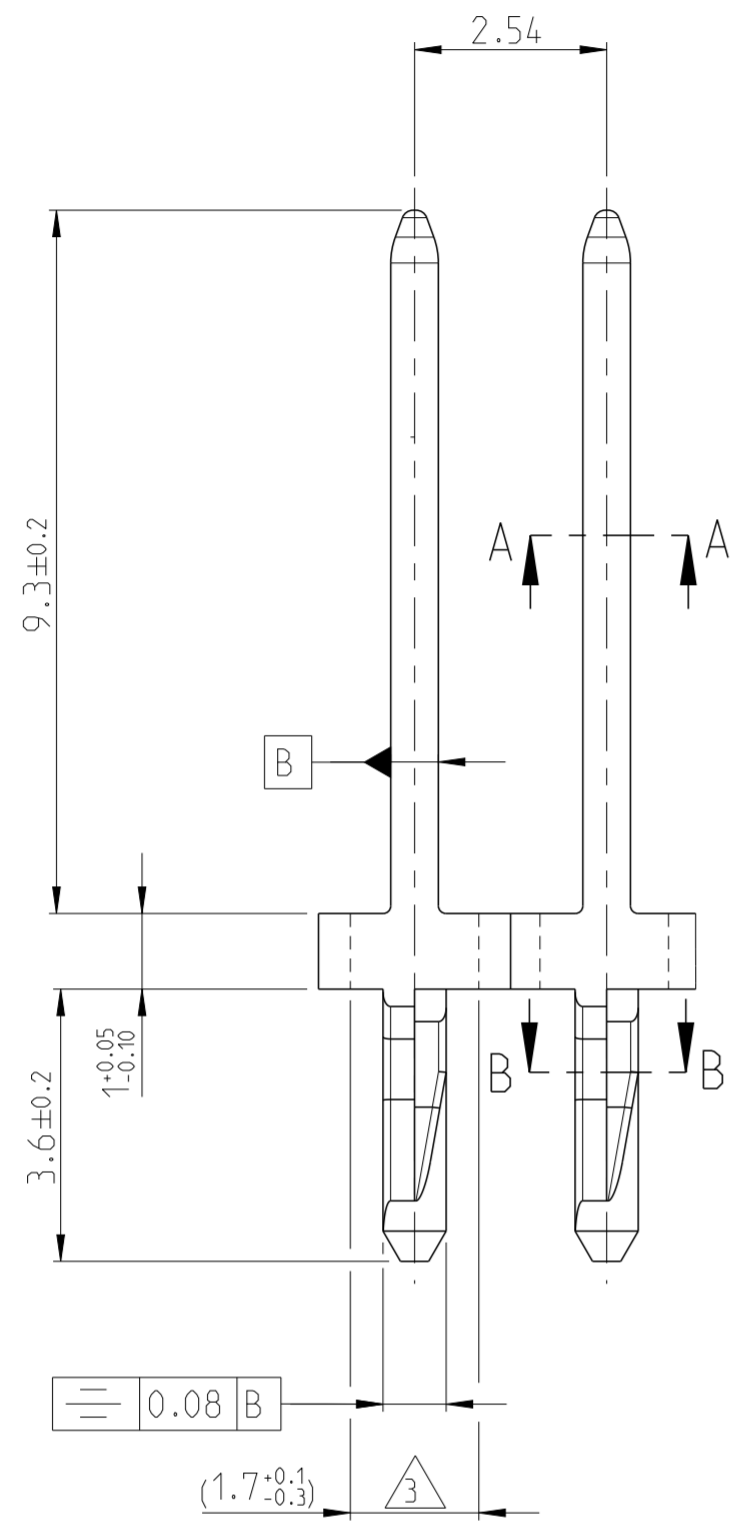
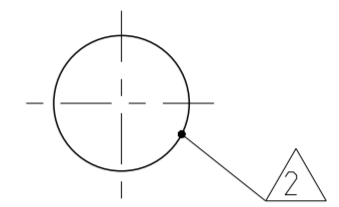


THIS DRAWING IS UNPUBLISHED
 RELEASED FOR PUBLICATION 2013
 ALL RIGHTS RESERVED.

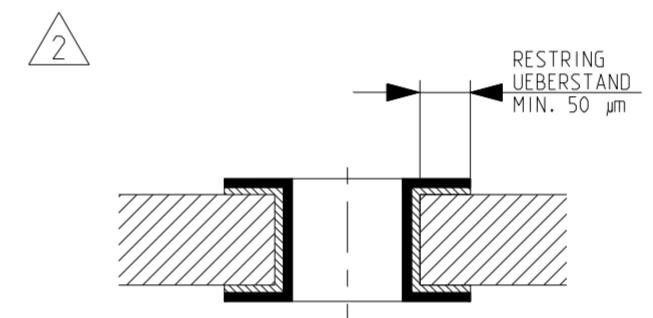
LOC	DIST	REVISIONS			
P	LTR	DESCRIPTION	DATE	DWN	APVD
IR	-	A	INITIAL RELEASE	18JAN2013	PKS RRP

PCB-LAYOUT
 Leiterplatten-Layout



NOTES:
 BEMERKUNGEN:

1 1 µm - 3 µm Sn OVER Ni
 1 µm - 3 µm Sn ueber Ni

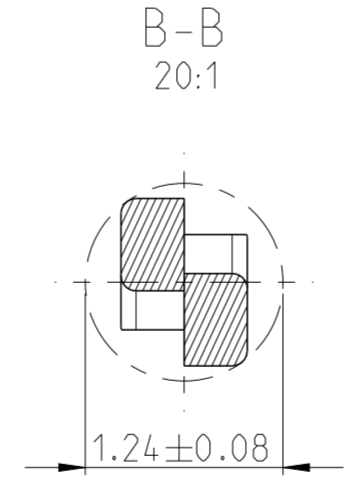
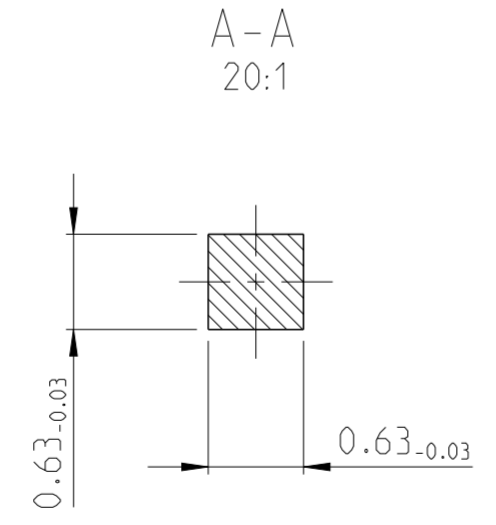


PLATED THROUGH HOLE SPECIFICATION Spezifikation fuer durchplatierte Bohrungen	
Cu THICKNESS Kupferschichtdicke	25-50 µm
Sn THICKNESS Zinnschichtdicke	4-15 µm
DRILLED HOLE Ø1.15±0.025 Bohrloch-Ø1.15±0.025	FINISHED HOLE Ø0.94 ^{+0.15} _{-0.15} plattierter Loch-Ø0.94 ^{+0.15}

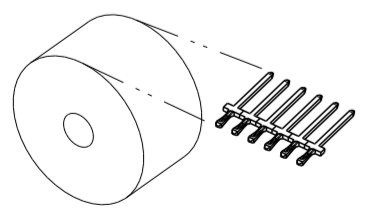
3 DIMENSION OF LOOSE PIESE
 Mass fuer Einzelteil

4 TO BE REELED ON PLASTIC REEL WITH INTERLEAVING PAPER
 Kunststoffspulen mit Zwischenlagenpapier

5 PACKAGING QUANTITY: 45K PCS PER REEL



DIRECTION OFF
 TOP OF REEL



TOLERANCES UNLESS OTHERWISE SPECIFIED ACC. TO DIN 16901-140 CENTRIC TO NOMINAL DIMENSION. EDITION 1982-11 SHALL APPLY. Freimass toleranzen nach DIN 16901-140. Es gilt die Ausgabe 1982-11.		THIS DRAWING IS A CONTROLLED DOCUMENT.		DWN SENTHIL 18JAN2013
DIMENSIONS: mm		TOLERANCES UNLESS OTHERWISE SPECIFIED:		CHK RAJESH 18JAN2013
0 PLC ±		1 PLC ±		APVD RAJENDRA 18JAN2013
1 PLC ±		2 PLC ±		PRODUCT SPEC 108-18643
2 PLC ±		3 PLC ±		APPLICATION SPEC 114-18279
3 PLC ±		4 PLC ±		WEIGHT -
ANGLES FINISH		MATERIAL -		NAME MGS-PIN WITH ACTION PIN MGS-Stift mit ACTION-PIN



2178527-2	CuNiSi	1	4
PART NO.	MATERIAL	SURFACE	REELPACKING

SIZE A2	CAGE CODE 100779	DRAWING NO. C-2178527	RESTRICTED TO -
SCALE 5:1		SHEET 1 OF 1	REV A