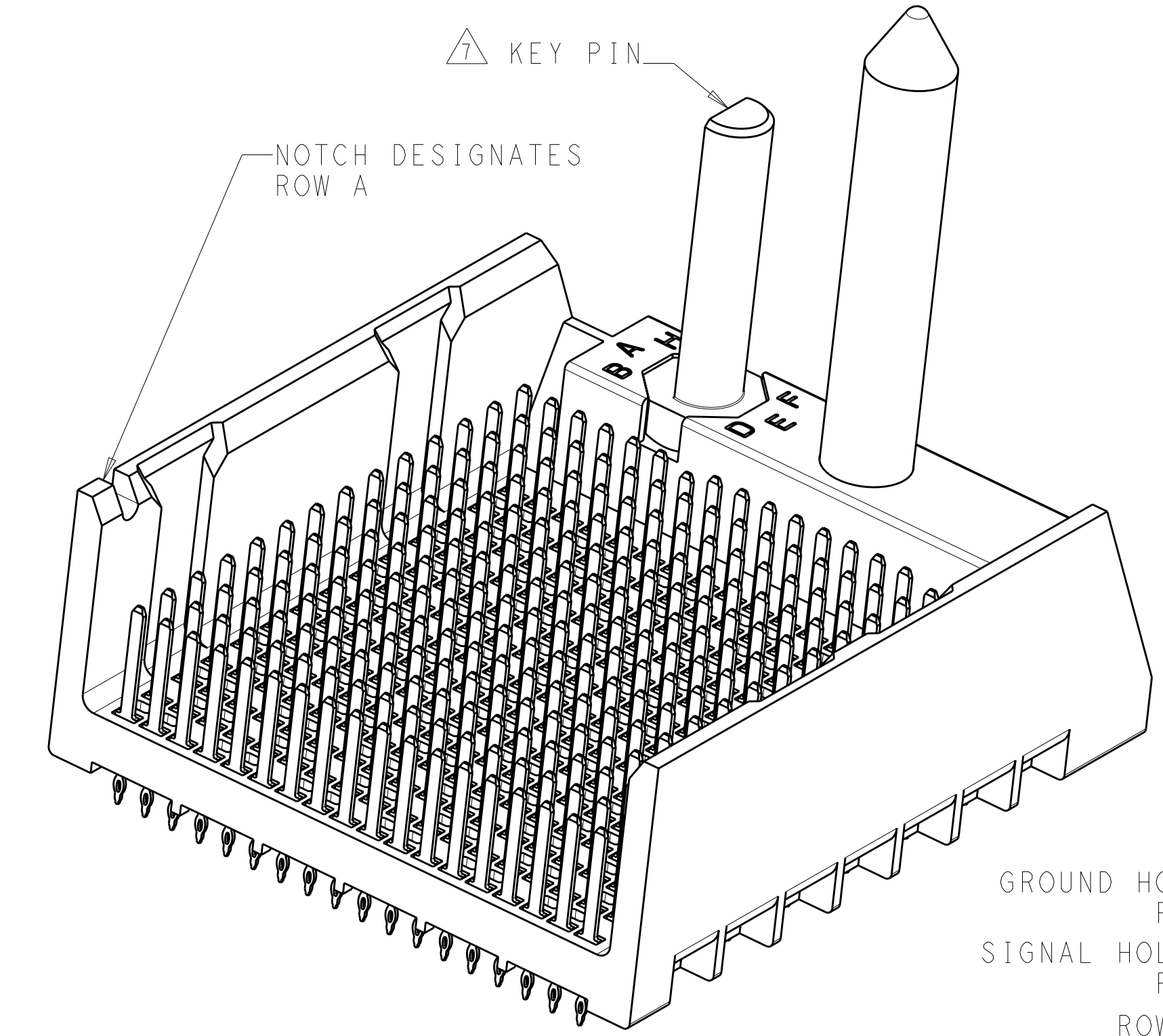
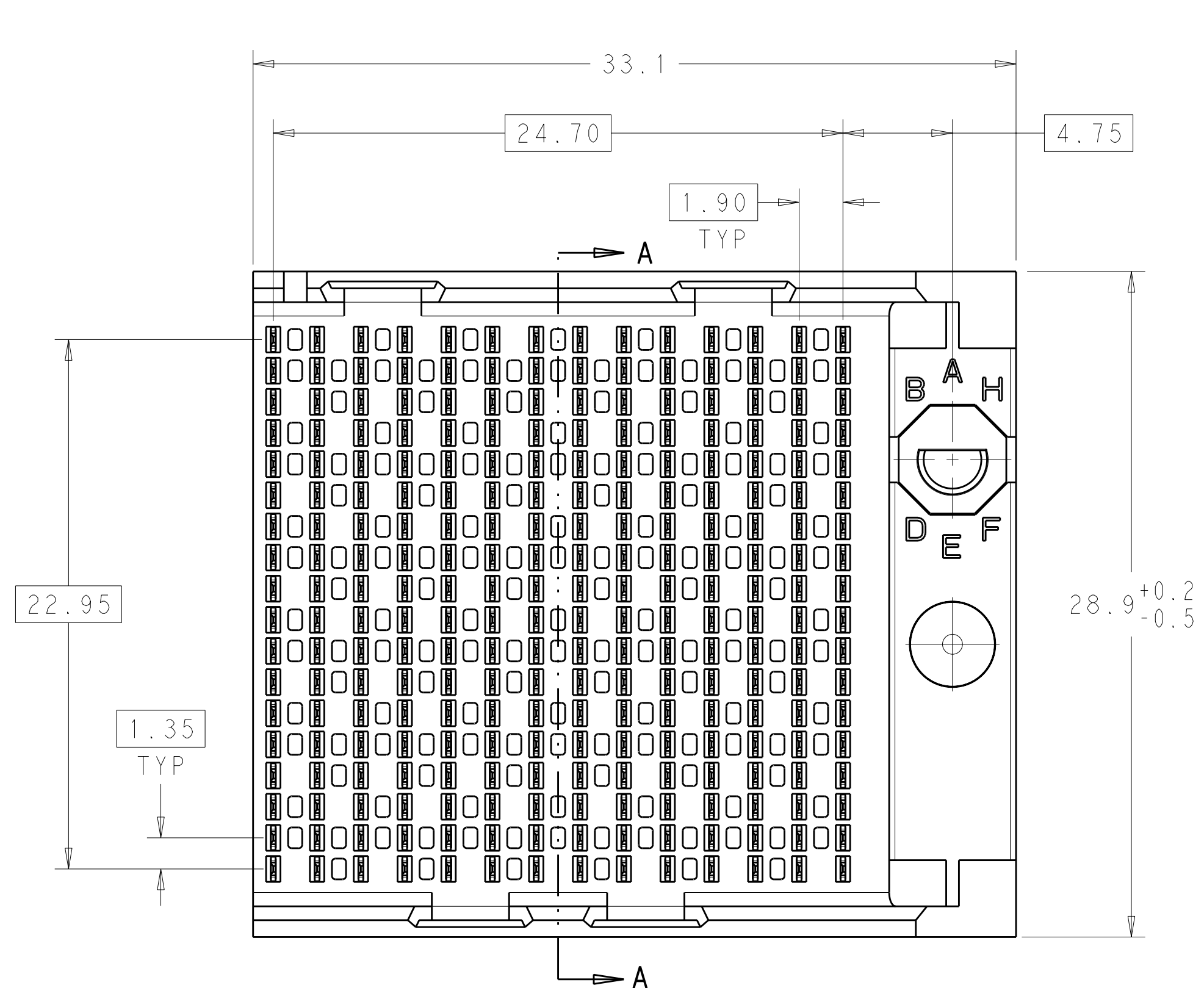
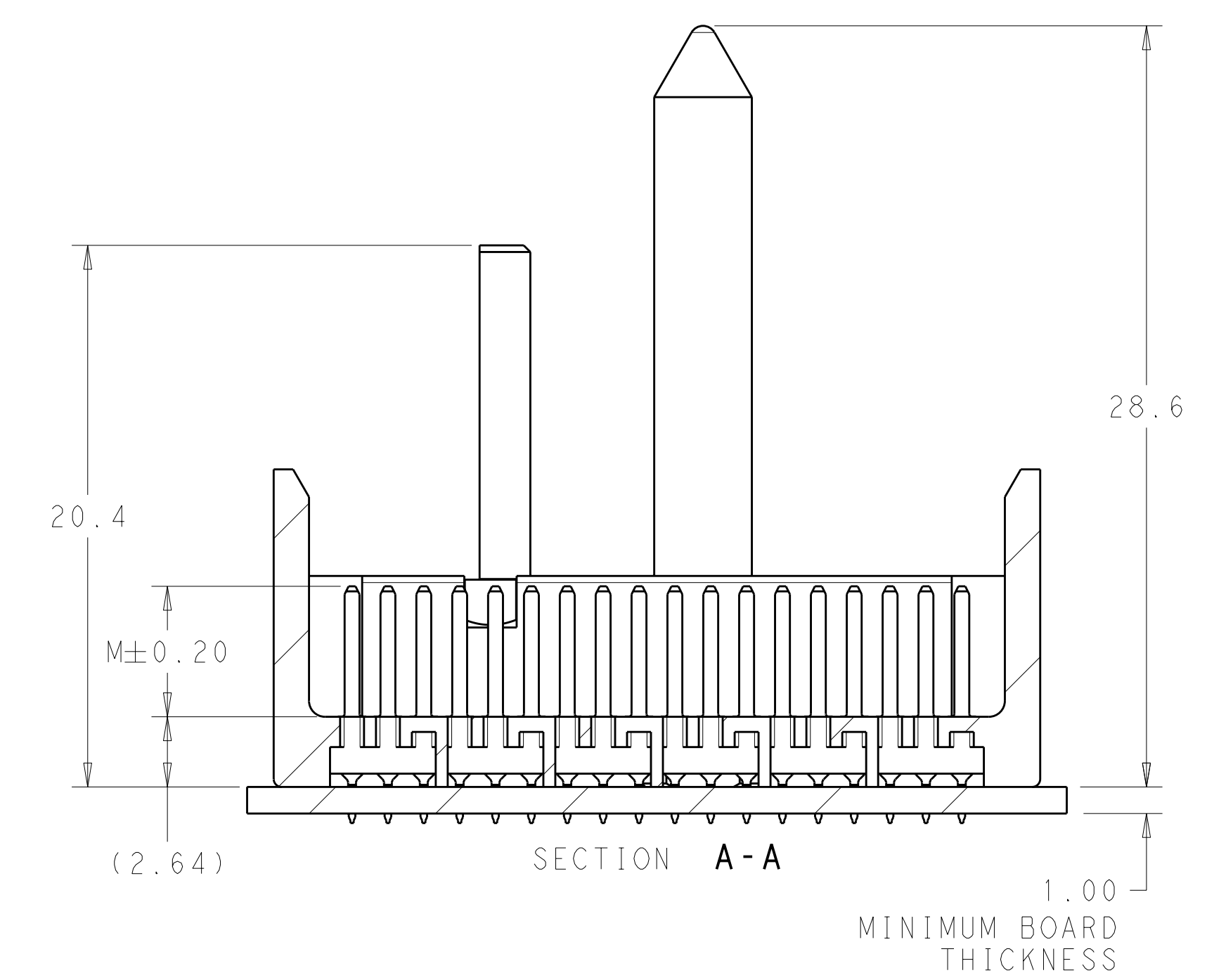
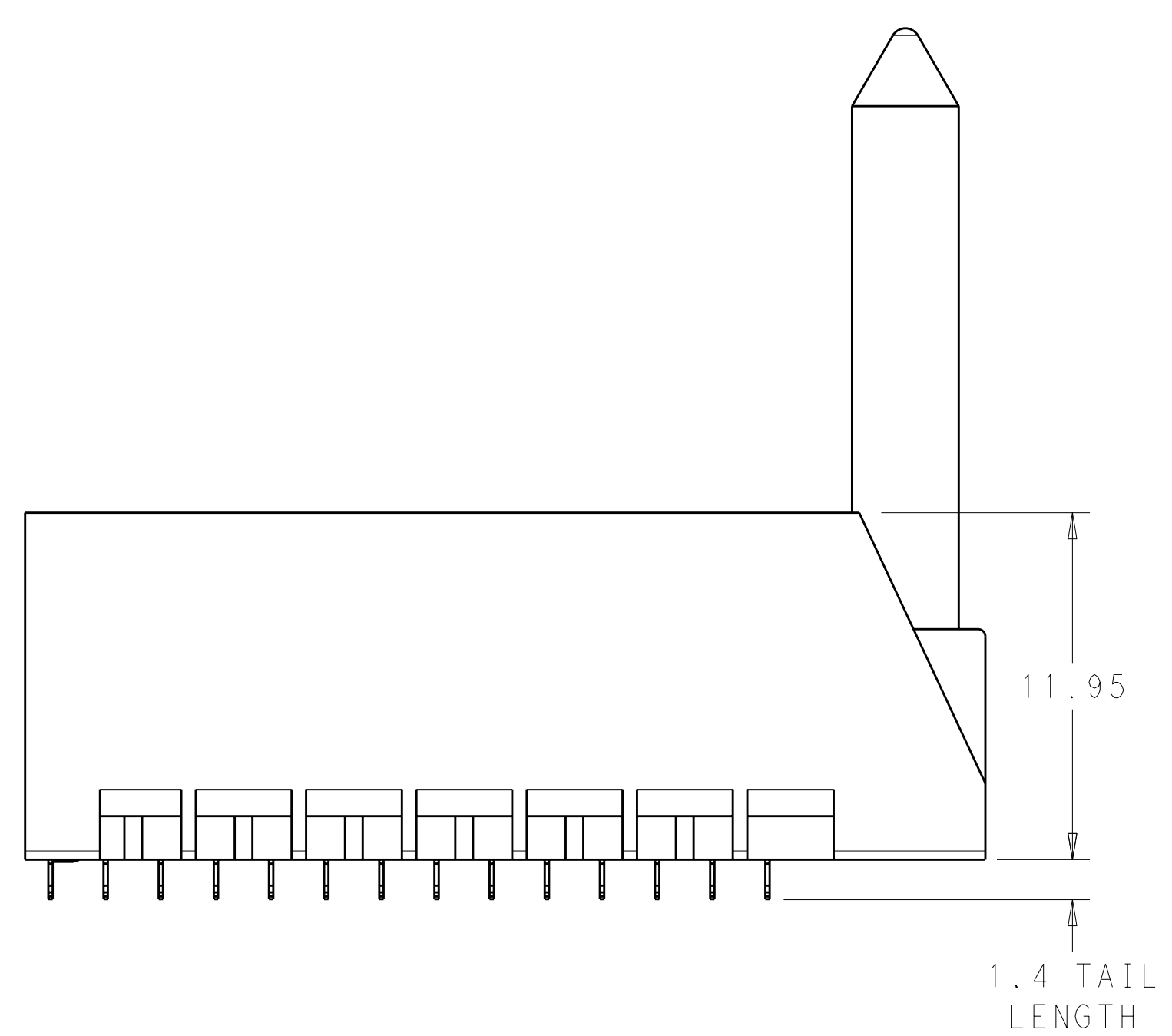
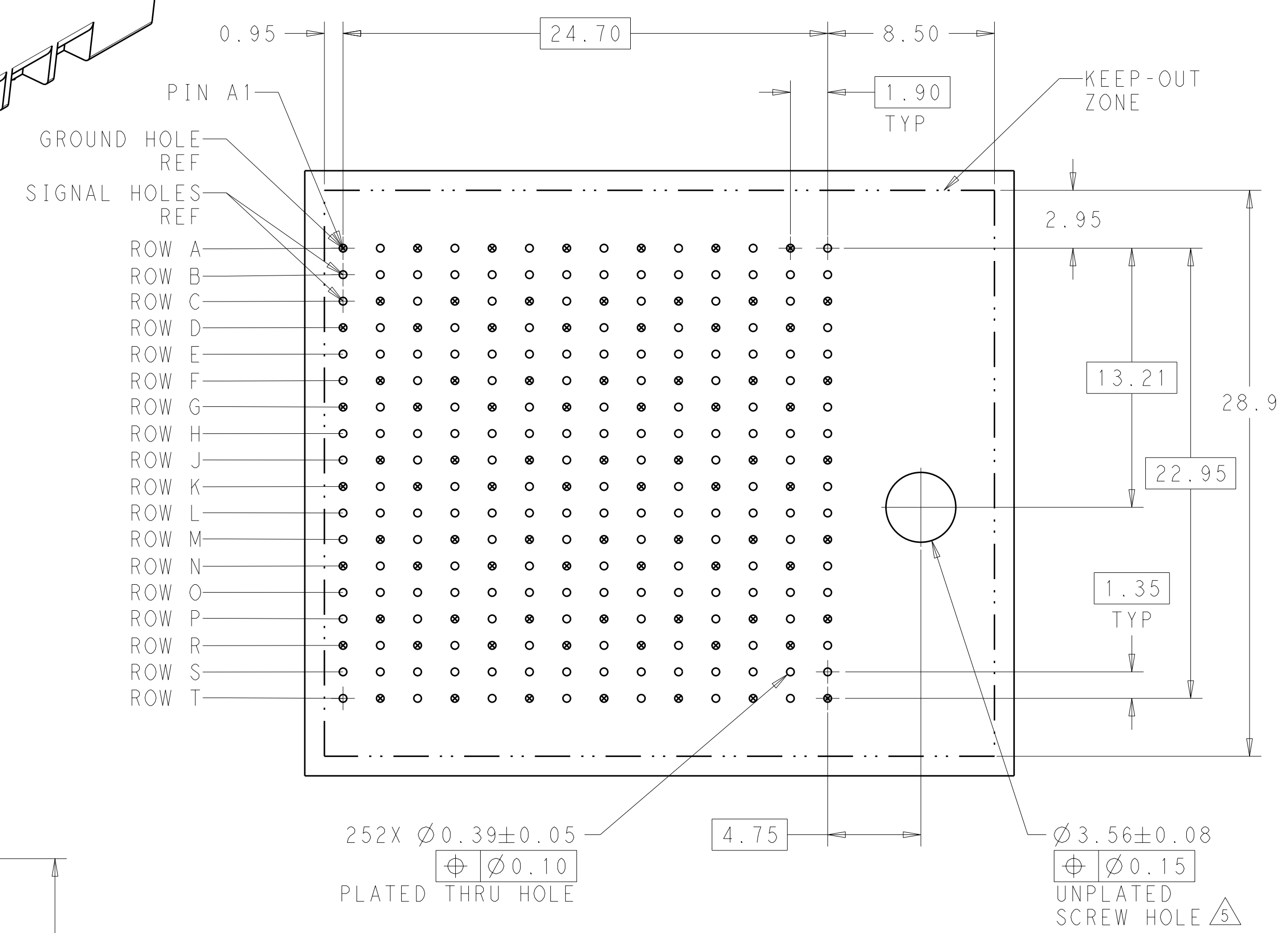


LOC	DIST	REV	DATE	BY	APPD
AD	00	1	22MAR2011	JKS	JE
		2	25MAR2011	JKS	JE




- 1 MATERIAL: HOUSING: LCP, GLASS FILLED, UL94V-0. TERMINALS: HIGH PERFORMANCE COPPER ALLOY.
 - 2 FINISH: 30µ" MIN GOLD IN CONTACT AREA. SELECTIVE TIN ON PCB TAILS, NICKEL OVERALL.
 - 3 FINISH: 30µ" MIN GOLD IN CONTACT AREA. SELECTIVE TIN-LEAD ON PCB TAILS, NICKEL OVERALL.
 - 4. SCREWS PACKAGED IN END OF PACKAGING TUBE.
 - 5 FOR GROUNDED GUIDE PIN USE $\phi 3.56 \pm 0.08$ PTH, $\phi 3.66$ DRILL, AND $\phi 6.5$ PAD.
 - 6. KEYING PIN SHOWN IN POSITION A. SEE KEYING CHART ON SHEET 2 FOR OTHER POSITIONS.
- OPTIONAL DEPENDING ON PART NUMBER.

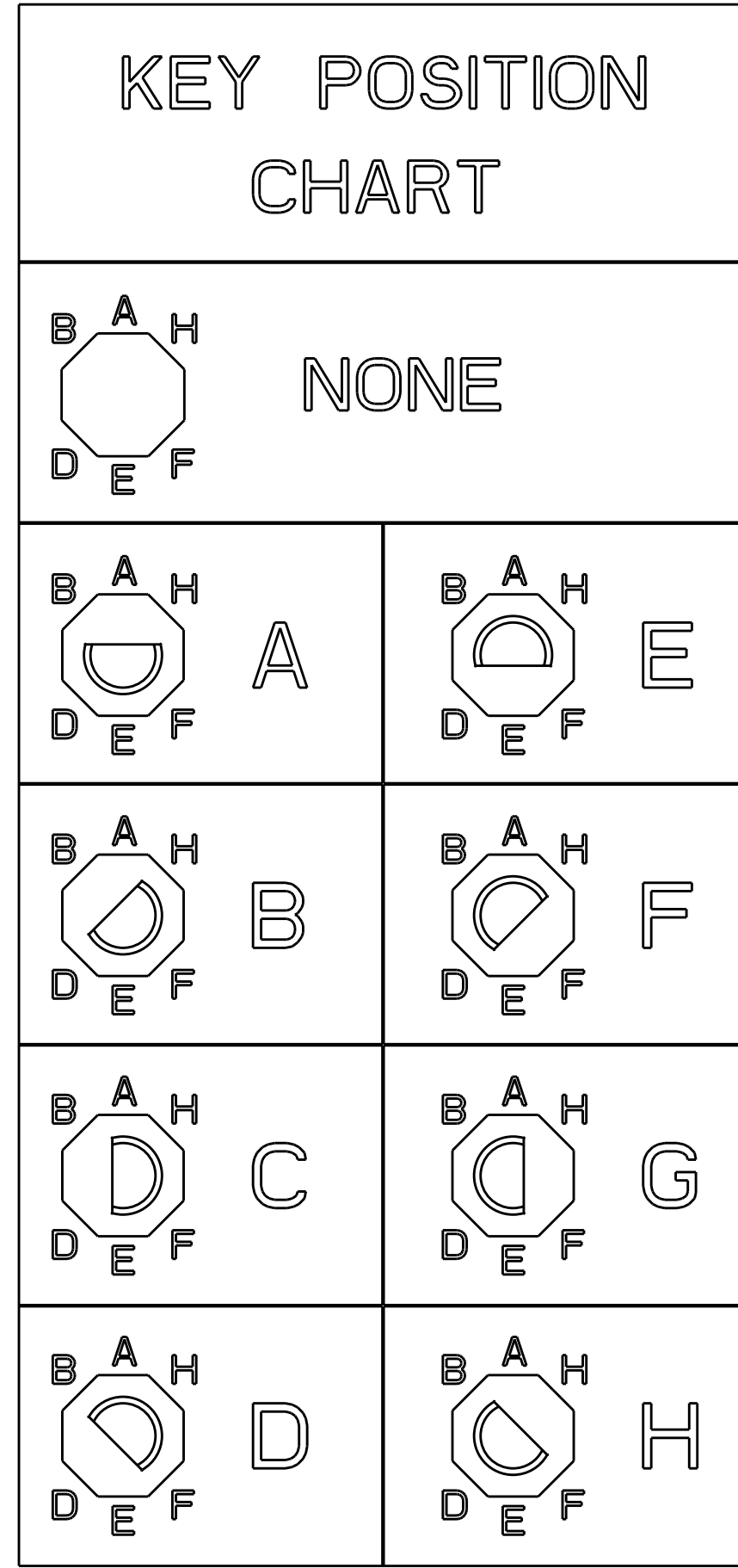
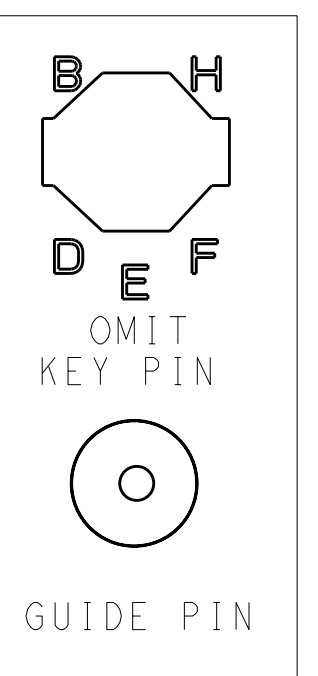


DESIGN APPROVED THIS PRINT IS
PRELIMINARY
 TO FIRST PIECE APPROVAL
 CONTACT PRODUCT ENGINEERING
 BEFORE USING THIS PRINT

THIS DRAWING IS A CONTROLLED DOCUMENT.		DWN J. K. SHOBER 22MAR2011	TE Connectivity
DIMENSIONS: mm		CHK J. EBY 22MAR2011	
TOLERANCES UNLESS OTHERWISE SPECIFIED:		APVD J. EBY 22MAR2011	NAME IMPACT, 6 PAIR, 14 COLUMN, HEADER
Ø	9 PLC ±	PRODUCT SPEC	RT GUIDED, OPEN END WALL, SELECT LD
PLC	1 PLC ±0.25	APPLICATION SPEC	SIGNAL MODULE, 0.39 PTH
PLC	3 PLC ±0.13	SIZE CAGE CODE DRAWING NO	RESTRICTED TO
PLC	4 PLC ±	WEIGHT	A100779C=2180382
ANGLES	±	CUSTOMER DRAWING	SCALE 5:1 SHEET 1 OF 2 REV 2
FINISH	SEE TABLE		


LOC	DIST	REV	DATE	BY	APPD
AD	00				
		DESCRIPTION		DATE	DWN
		SEE SHEET 1		-	-

2180382-1														
PART NUMBER		FINISH												
CONTACT LAYOUT														
A = 4.5mm (DIM M)														
B = 4.9mm (DIM M)														
C = 5.5mm (DIM M)														
COLUMNS														
	1	2	3	4	5	6	7	8	9	10	11	12	13	14
A	B	B	B	B	B	B	B	B	B	B	B	B	B	B
B	B	B	B	B	B	B	B	B	B	B	B	B	B	B
C	B	B	B	B	B	B	B	B	B	B	B	B	B	B
D	B	B	B	B	B	B	B	B	B	B	B	B	B	B
E	B	B	B	B	B	B	B	B	B	B	B	B	B	B
F	B	B	B	B	B	B	B	B	B	B	B	B	B	B
G	B	B	B	B	B	B	B	B	B	B	B	B	B	A
H	B	B	B	B	B	B	B	B	B	B	B	B	B	B
J	B	B	B	B	B	B	B	B	B	B	B	B	B	B
K	B	B	B	B	B	B	B	B	B	B	B	B	B	B
L	B	B	B	B	B	B	B	B	B	B	B	B	B	B
M	B	B	B	B	B	B	B	B	B	B	B	B	B	B
N	B	B	B	B	B	B	B	B	B	B	B	B	B	B
O	B	B	B	B	B	B	B	B	B	B	B	B	B	B
P	B	B	B	B	B	B	B	B	B	B	B	B	B	B
Q	B	B	B	B	B	B	B	B	B	B	B	B	B	B
R	B	B	B	B	B	B	B	B	B	B	B	B	B	A
S	B	B	B	B	B	B	B	B	B	B	B	B	B	B
T	B	B	B	B	B	B	B	B	B	B	B	B	B	B



REFER TO WWW.TE.COM
FOR PRODUCT AVAILABILITY

DESIGN APPROVED THIS PRINT IS
PRELIMINARY
 TO FIRST PIECE APPROVAL
 CONTACT PRODUCT ENGINEERING
 BEFORE USING THIS PRINT

THIS DRAWING IS A CONTROLLED DOCUMENT.		DWN J. K. SHOBER 22MAR2011	 TE Connectivity
DIMENSIONS: mm		CHK J. EARY 22MAR2011	
TOLERANCES UNLESS OTHERWISE SPECIFIED:		APVD J. EARY 22MAR2011	NAME IMPACT, 6 PAIR, 14 COLUMN, HEADER RT GUIDED, OPEN END WALL, SELECT LD SIGNAL MODULE, 0.39 PTH
9 PLC ± 3 PLC ±0.25 5 PLC ±0.13 4 PLC ± ANGLES ±		PRODUCT SPEC -	SIZE CAGE CODE DRAWING NO A100779C=2180382
MATERIAL -		APPLICATION SPEC -	RESTRICTED TO -
FINISH SEE TABLE		WEIGHT -	SCALE 5:1 SHEET 2 OF 2 REV 2
CUSTOMER DRAWING			