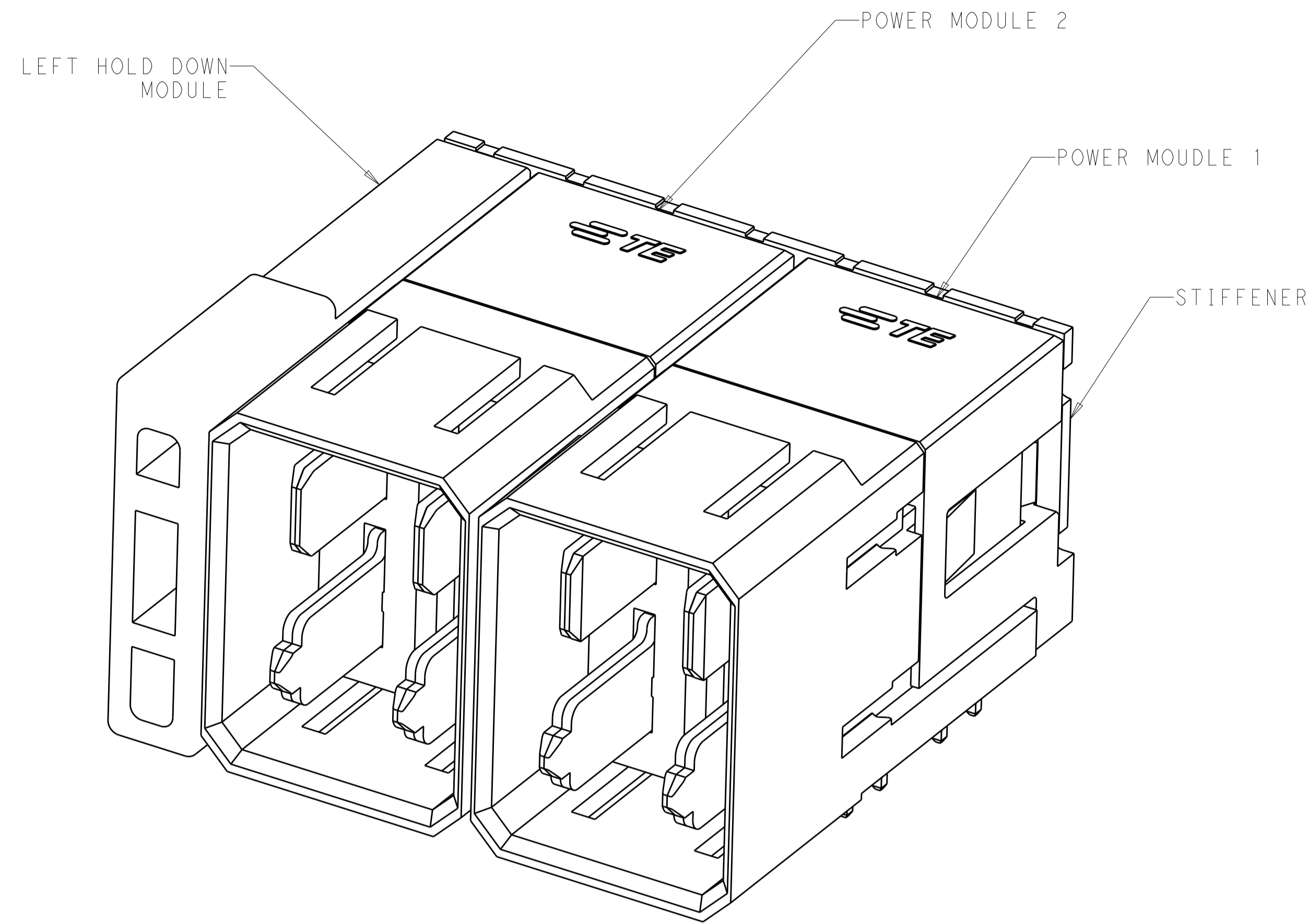


LOC	DIST	REVISIONS					
GP	00	P	LTN	DESCRIPTION	DATE	DWN	APVD
		A		INITIAL RELEASE	25MAY2012	LW	AC
		A1		REV PER ECR-12-010636	19JUN2012	LW	AC
		A2		REV PER ECR-13-000356	09JAN2013	LW	AC
		B		PER ECR-17-002092	16FEB2017	DS	SY



HEADER WITH LEFT HOLD DOWN MODULE

NOTES:

△ MATERIALS:

HOUSING: HIGH TEMP. THERMOPLASTIC GLASS/MINERAL FILLED UL94V-0  
 TERMINAL: COPPER ALLOY

△ FINISH:

TIN OPTION-0.76um MIN GOLD AT CONTACT AREA AND  
 1.27um MIN NICKEL UNDERPLATED OVER ALL  
 2.54um TIN AT SOLDER TAIL AREA

TIN-LEAD OPTION-0.76um MIN GOLD AT CONTACT AREA AND  
 1.27um MIN NICKEL UNDERPLATED OVER ALL  
 2.54um TIN-LEAD AT SOLDER TAIL AREA

△ REFER TO TE'S PRODUCT SPECIFICATION: 108-2473  
 FOR PLATED THROUGH-HOLE SPECIFICATION AND TORQUE FORCE

4 CONNECTOR WERE PACKED BY TRAY  
 REFER TO TE'S PACKAGING SPECIFICATION: 107-97873

5 MATED WITH \*-2169806-\* OR \*-2169853-\*

△ LASER MARK PART NUMBER AND DATE CODE (YYWWDS)  
 CAN BE AT THE OPPOSITE SIDE

△ ADD 11.40MM FOR EACH ADDITIONAL MODULE

8. REFER TO DOCUMENT NUMBER: 2169802 FOR INDIVIDUAL  
 MODULE COMPONENT INFORMATION

△ FIRST POWER MODULE(1#) STARTS FROM THE RIGHT

△ DIMENSION P1&P2 FOR POWER MODULE 1, P3&P4 FOR POWER MODULE 2

△ COMPONENT STAY AWAY ZONE FROM CONNECTOR

△ ALL PARTS ARE SHIPPED WITH A 2-32 AB TYPE SELF-TAPPING  
 SCREW P/N: 2057509-2

STATUS	PACKAGING	PLATING TYP	P4	P3	P2	P1	DIM A	NUMBER OF POWER MODULE	PART NUMBER
OBSOLETE			6.90	5.70	6.90	5.70	26.40	2X	7-2180850-0
OBSOLETE			6.90	5.70	5.70	6.90	26.40	2X	6-2180850-9
OBSOLETE			6.90	5.70	5.70	5.70	26.40	2X	6-2180850-8
OBSOLETE			6.90	5.70	6.90	6.90	26.40	2X	6-2180850-7
OBSOLETE			5.70	6.90	6.90	5.70	26.40	2X	6-2180850-6
OBSOLETE			5.70	6.90	5.70	6.90	26.40	2X	6-2180850-5
OBSOLETE			5.70	6.90	5.70	5.70	26.40	2X	6-2180850-4
OBSOLETE			5.70	6.90	6.90	6.90	26.40	2X	6-2180850-3
OBSOLETE			5.70	5.70	6.90	5.70	26.40	2X	6-2180850-2
OBSOLETE	TRAY	TIN-LEAD	5.70	5.70	5.70	6.90	26.40	2X	6-2180850-1
OBSOLETE			5.70	5.70	5.70	5.70	26.40	2X	6-2180850-0
OBSOLETE			5.70	5.70	6.90	6.90	26.40	2X	5-2180850-9
OBSOLETE			6.90	6.90	6.90	5.70	26.40	2X	5-2180850-8
OBSOLETE			6.90	6.90	5.70	6.90	26.40	2X	5-2180850-7
OBSOLETE			6.90	6.90	5.70	5.70	26.40	2X	5-2180850-6
OBSOLETE			6.90	6.90	6.90	6.90	26.40	2X	5-2180850-5
OBSOLETE			N/A	N/A	6.90	5.70	15.00	1X	5-2180850-4
OBSOLETE			N/A	N/A	5.70	6.90	15.00	1X	5-2180850-3
OBSOLETE			N/A	N/A	5.70	5.70	15.00	1X	5-2180850-2
OBSOLETE			N/A	N/A	6.90	6.90	15.00	1X	5-2180850-1
ACTIVE			6.90	5.70	6.90	5.70	26.40	2X	2-2180850-0
ACTIVE			6.90	5.70	5.70	6.90	26.40	2X	1-2180850-9
ACTIVE			6.90	5.70	5.70	5.70	26.40	2X	1-2180850-8
ACTIVE			6.90	5.70	6.90	6.90	26.40	2X	1-2180850-7
ACTIVE			5.70	6.90	6.90	5.70	26.40	2X	1-2180850-6
ACTIVE			5.70	6.90	5.70	6.90	26.40	2X	1-2180850-5
ACTIVE			5.70	6.90	5.70	5.70	26.40	2X	1-2180850-4
ACTIVE			5.70	6.90	6.90	6.90	26.40	2X	1-2180850-3
ACTIVE			5.70	5.70	6.90	5.70	26.40	2X	1-2180850-2
ACTIVE			5.70	5.70	5.70	6.90	26.40	2X	1-2180850-1
ACTIVE			5.70	5.70	5.70	5.70	26.40	2X	1-2180850-0
ACTIVE			5.70	5.70	6.90	6.90	26.40	2X	2180850-9
ACTIVE			6.90	6.90	6.90	5.70	26.40	2X	2180850-8
ACTIVE			6.90	6.90	5.70	6.90	26.40	2X	2180850-7
ACTIVE			6.90	6.90	5.70	5.70	26.40	2X	2180850-6
ACTIVE			6.90	6.90	6.90	6.90	26.40	2X	2180850-5
ACTIVE			N/A	N/A	6.90	5.70	15.00	1X	2180850-4
ACTIVE			N/A	N/A	5.70	6.90	15.00	1X	2180850-3
ACTIVE			N/A	N/A	5.70	5.70	15.00	1X	2180850-2
ACTIVE			N/A	N/A	6.90	6.90	15.00	1X	2180850-1

THIS DRAWING IS A CONTROLLED DOCUMENT. DWN: LERRY WANG 13FEB2012  
 CHK: SUNY ZHAO 13FEB2012  
 APVD: SUNY ZHAO 13FEB2012

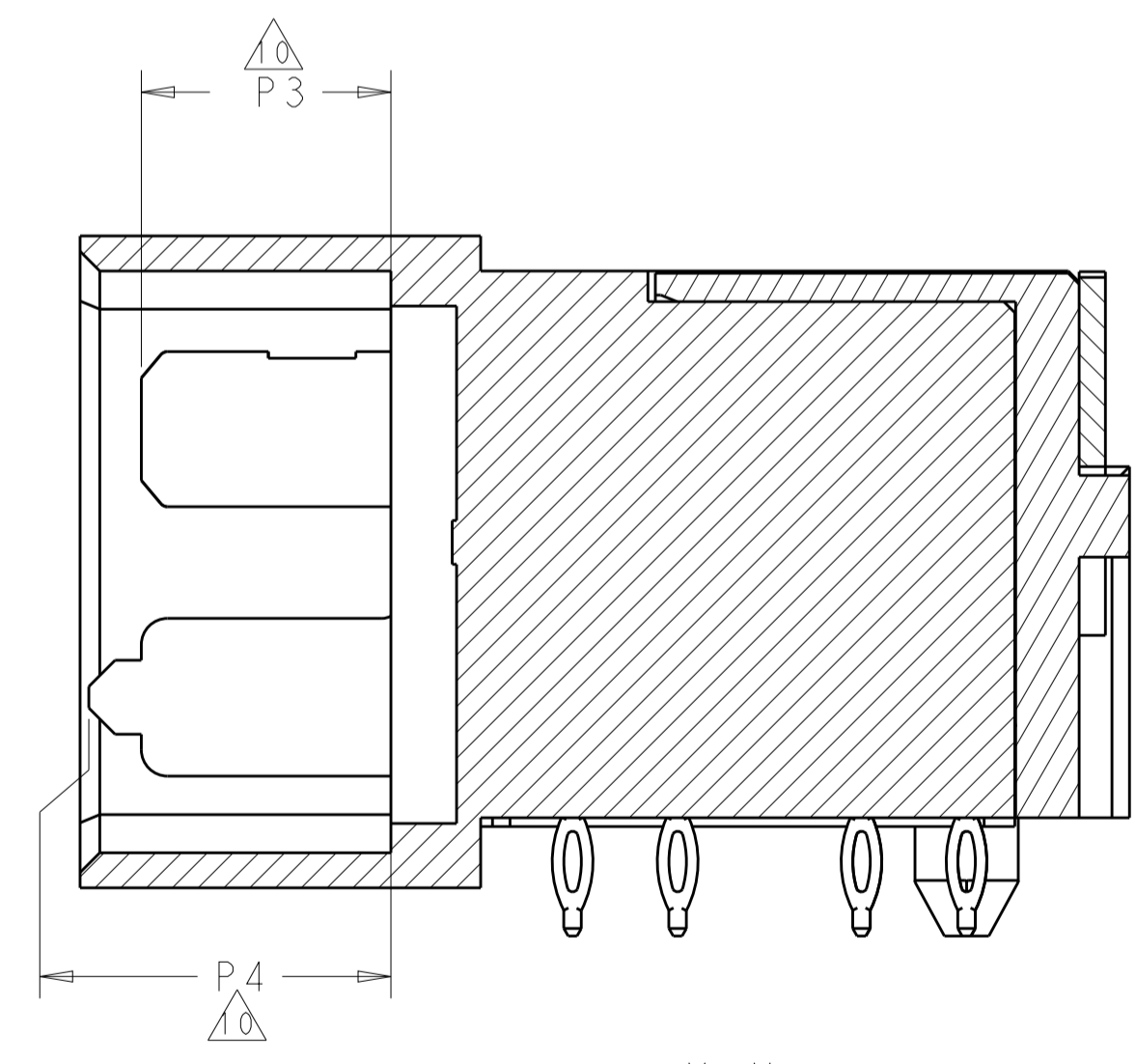
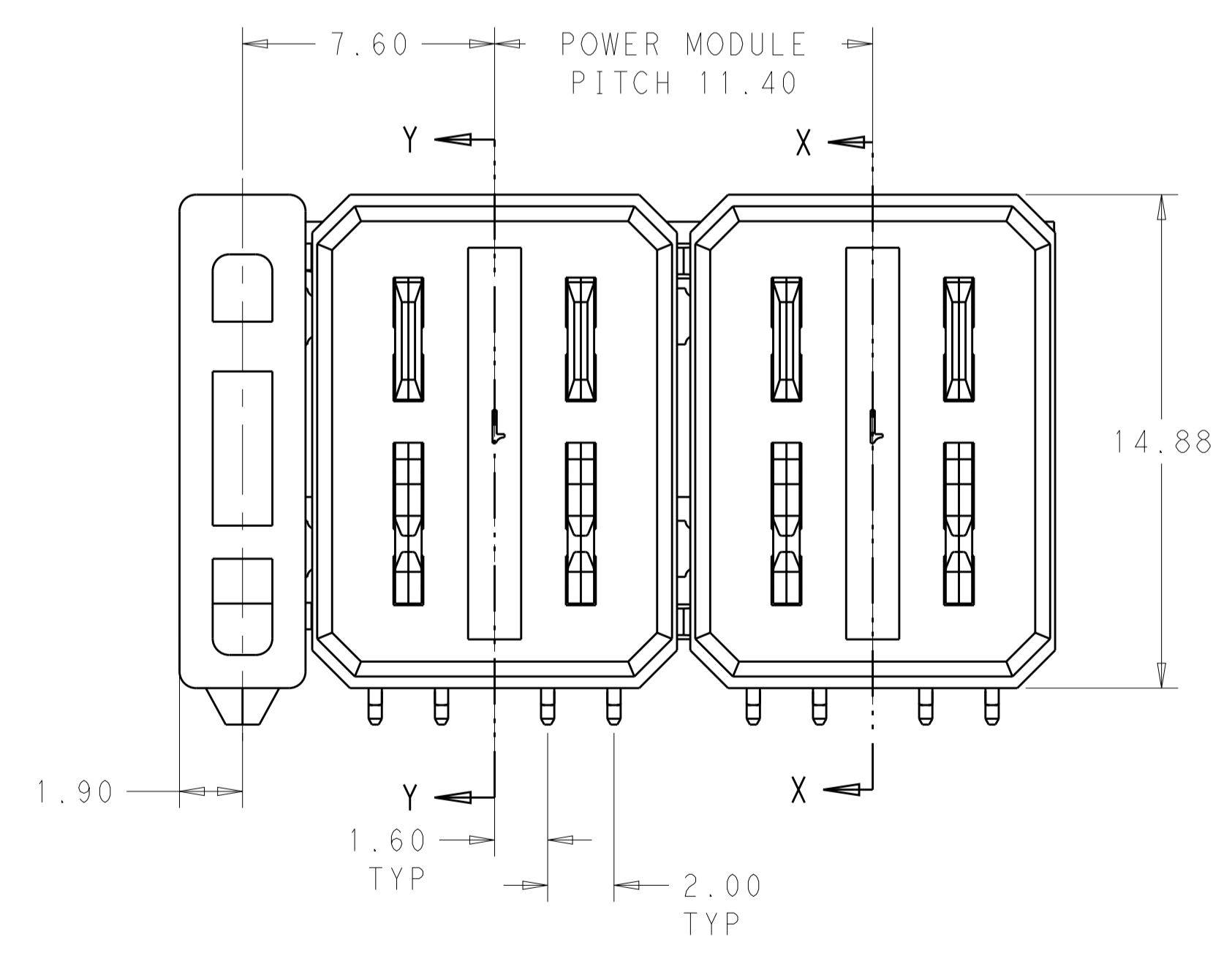
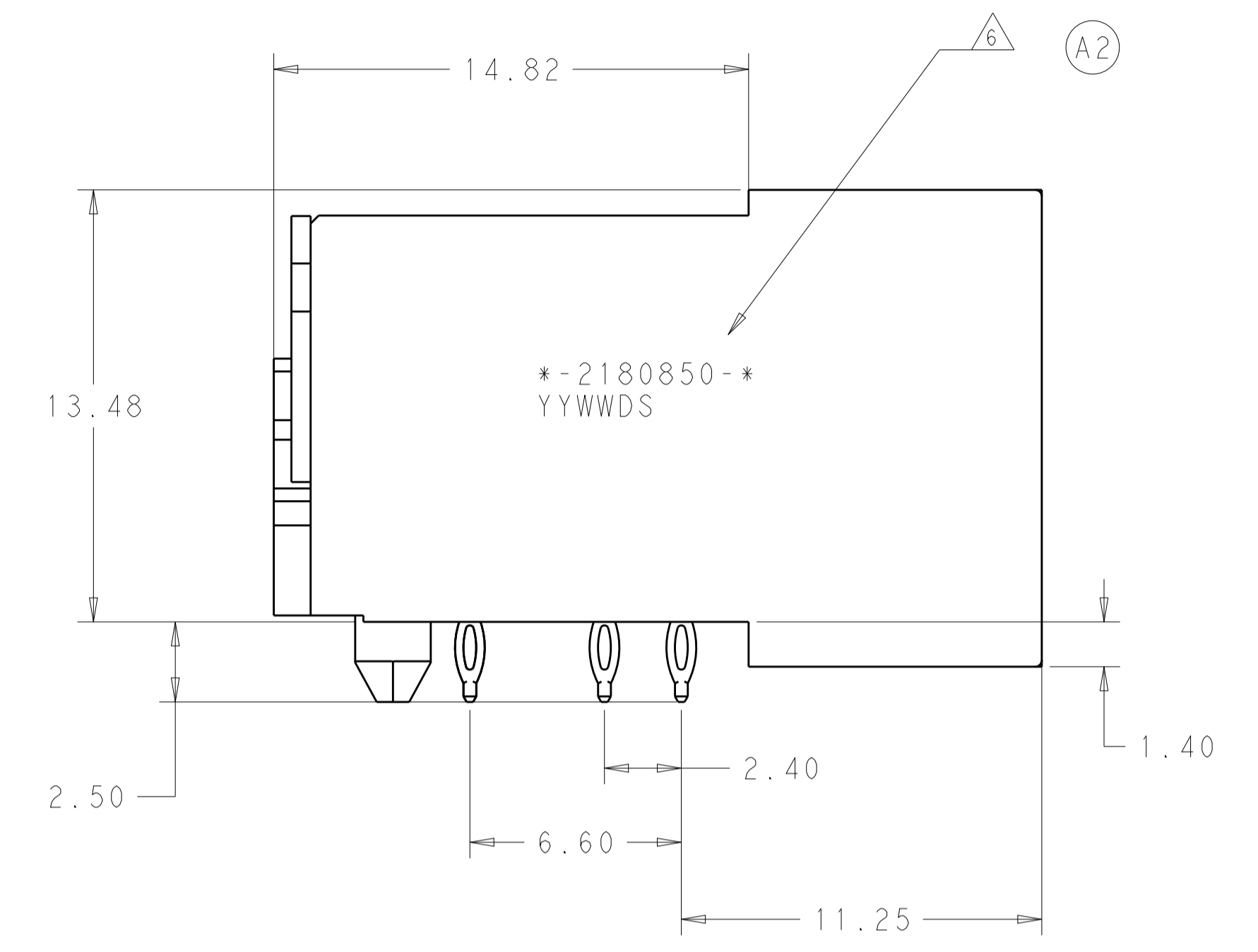
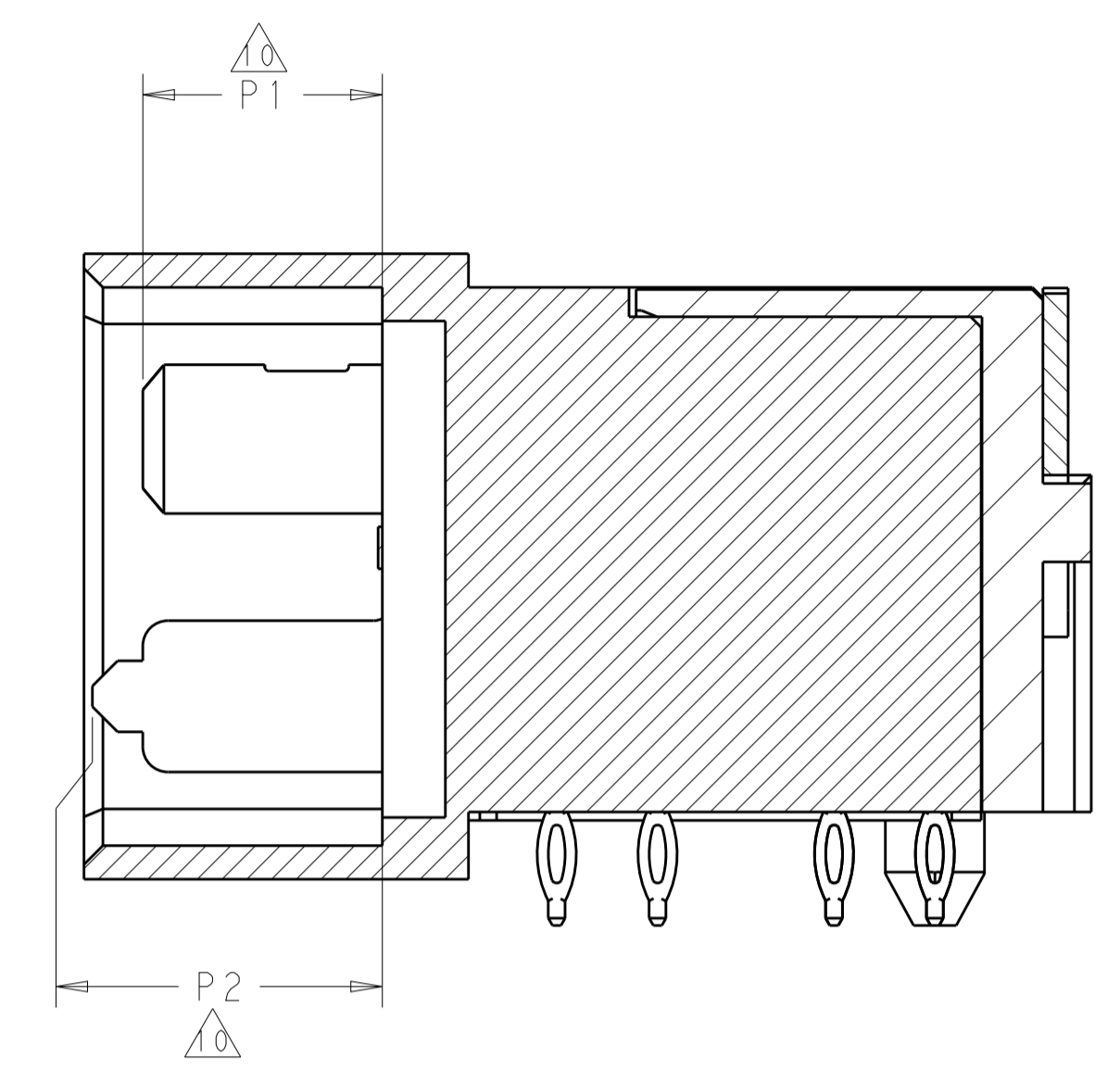
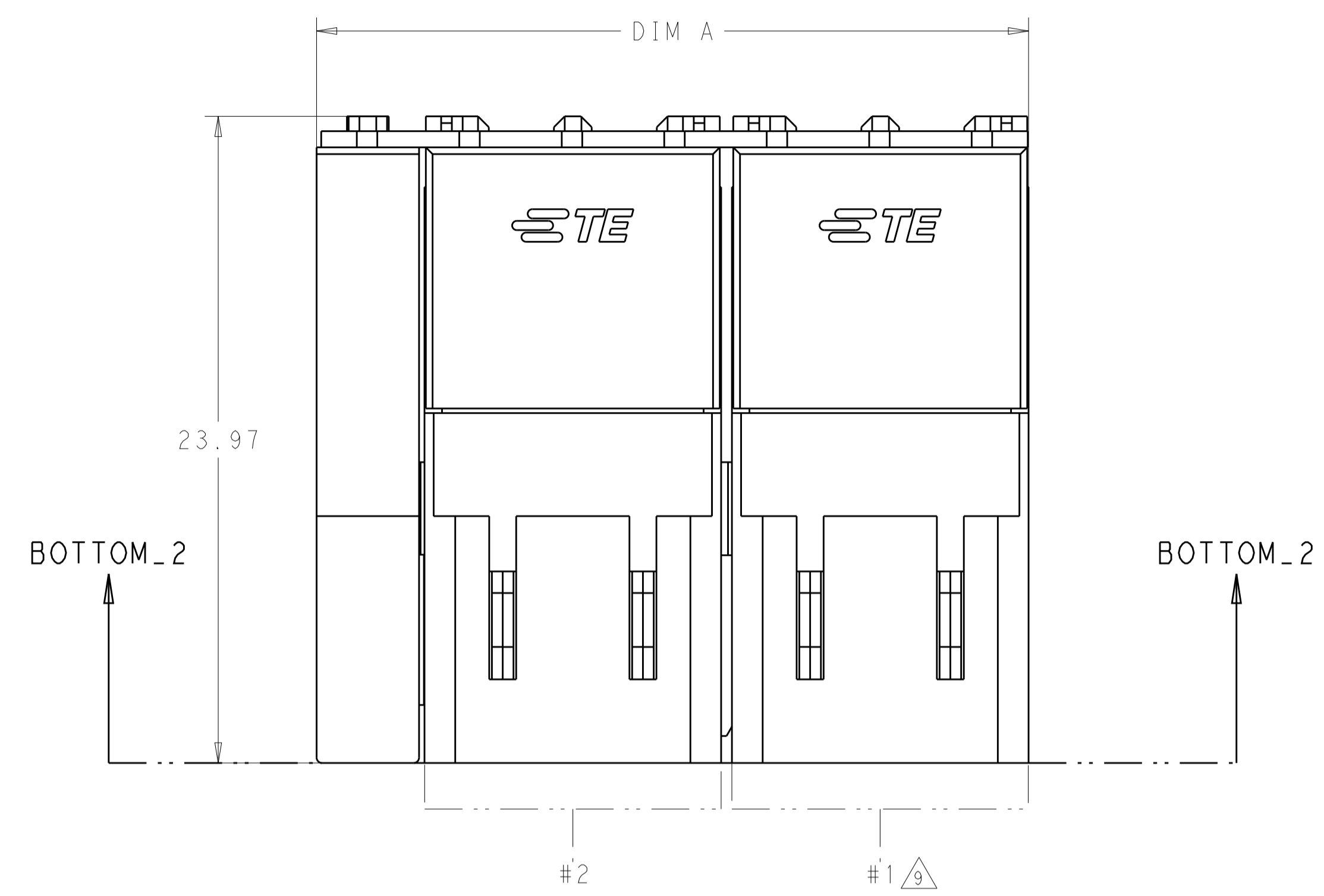
**STE** TE Connectivity

NAME: IMPACT POWER 3 PAIR R/A HEADER W/HOLD DOWN LEFT PRESS FIT

SIZE: A1 CAGE CODE: 114-32028 DRAWING NO: 2180850

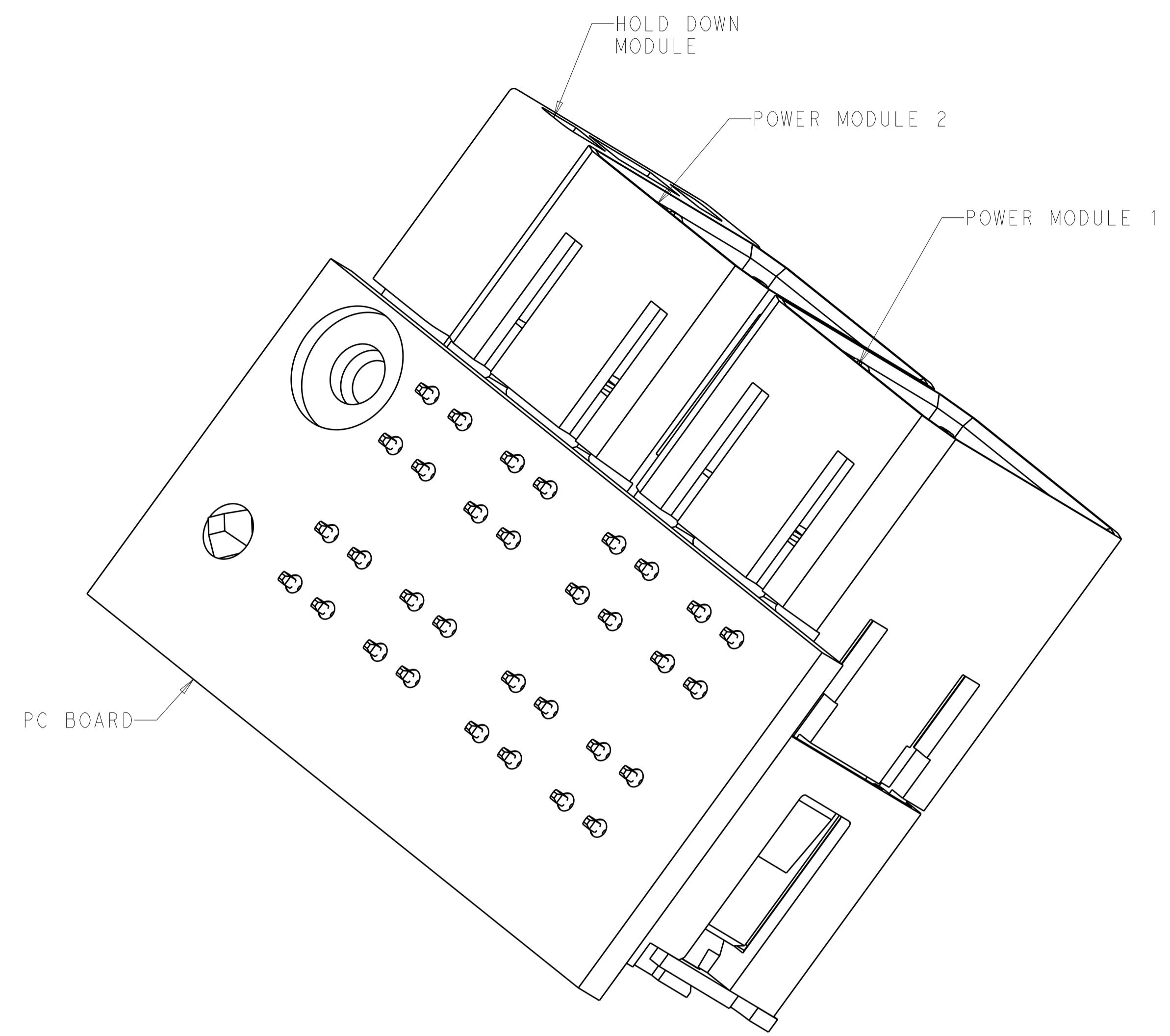
SCALE: 6:1 SHEET 1 OF 4 REV B

LOC	DIST	REV	DATE	BY	APPV
GP	00				
REVISIONS			DESCRIPTION	DATE	BY
			SEE SHEET 1		

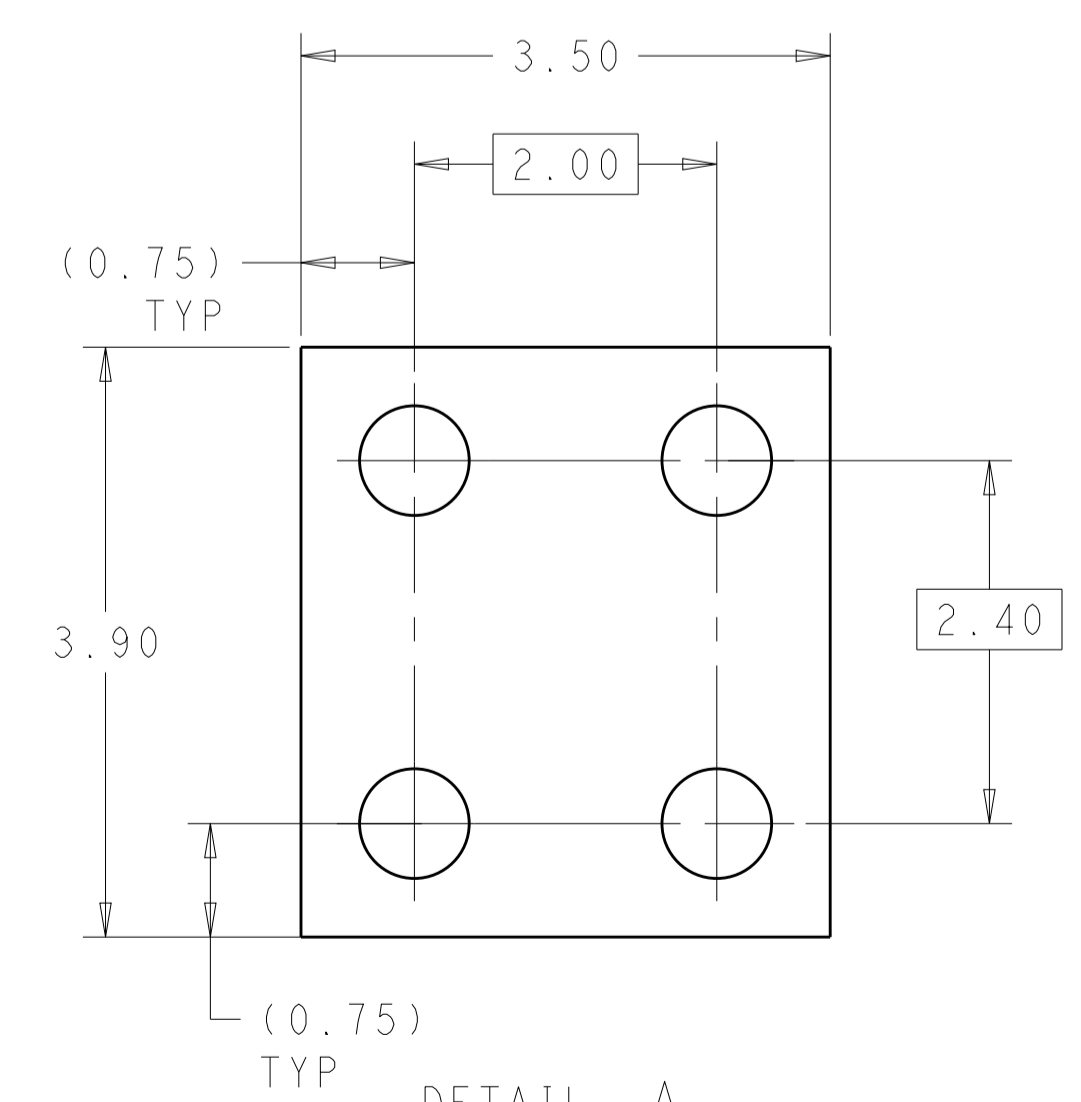


THIS DRAWING IS A CONTROLLED DOCUMENT.		OWN: LERRY WANG 13FEB2012	TE Connectivity
DIMENSIONS: mm		CHK: SUNY ZHAO 13FEB2012	
TOLERANCES UNLESS OTHERWISE SPECIFIED:		APPV: SUNY ZHAO 13FEB2012	NAME: IMPACT POWER 3 PAIR R/A HEADER W/HOLD DOWN LEFT PRESS FIT
0 PLC ±.1	1 PLC ±.15	PRODUCT SPEC	SIZE: CAGE CODE DRAWING NO. RESTRICTED TO
2 PLC ±.25	3 PLC ±.3	APPLICATION SPEC	A100779C=2180850
4 PLC ±.4	ANGLES ±.5°	WEIGHT	SCALE: 6:1 SHEET 2 OF 4 REV B
MATERIAL	FINISH	CUSTOMER DRAWING	

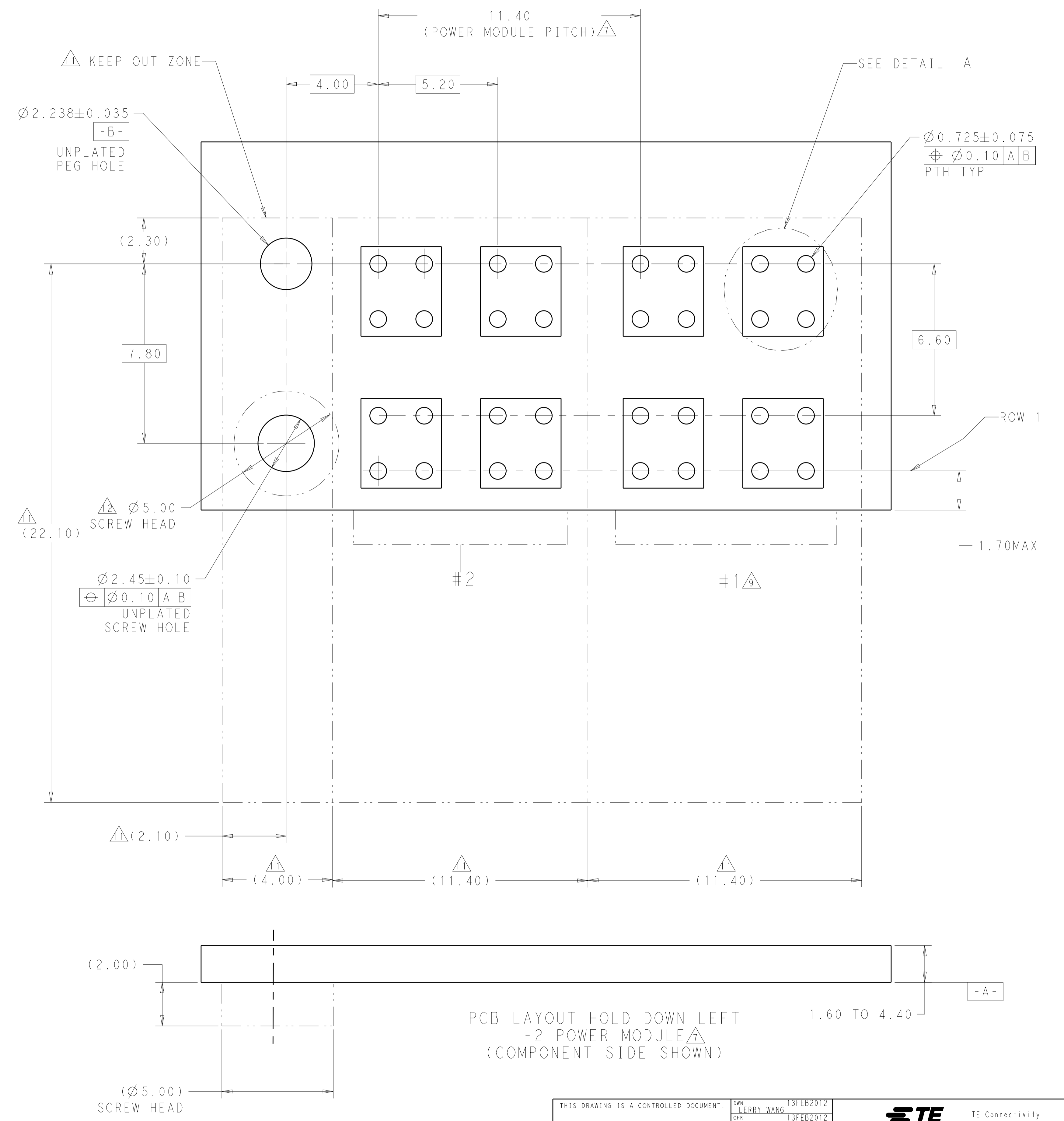
LOC		DIST		REVISIONS			
GP	00	P	LTN	DESCRIPTION	DATE	OWN	APVD
		-		SEE SHEET 1	-	-	-



CONNECTOR WITH PCB BOARD



DETAIL A  
 SCALE 20:1  
 COPPER PAD REFERENCE



PCB LAYOUT HOLD DOWN LEFT  
 - 2 POWER MODULE  
 (COMPONENT SIDE SHOWN)

THIS DRAWING IS A CONTROLLED DOCUMENT.		OWN LERRY WANG 13FEB2012	TE Connectivity
DIMENSIONS: mm		CHK SUNY ZHAO 13FEB2012	
TOLERANCES UNLESS OTHERWISE SPECIFIED:		APVD SUNY ZHAO 13FEB2012	NAME
0 PLC	±	PRODUCT SPEC	IMPACT POWER 3 PAIR
1 PLC	±0.25	APPLICATION SPEC	R/A HEADER W/HOLD DOWN LEFT
2 PLC	±	SIZE	PRESS FIT
3 PLC	±	WEIGHT	
4 PLC	±	SCALE	6:1
ANGLES	±	CAGE CODE	114-32028
FINISH	±	DRAWING NO	A100779C=2180850
MATERIAL		RESTRICTED TO	
CUSTOMER DRAWING		SHEET	3 OF 4
		REV	B