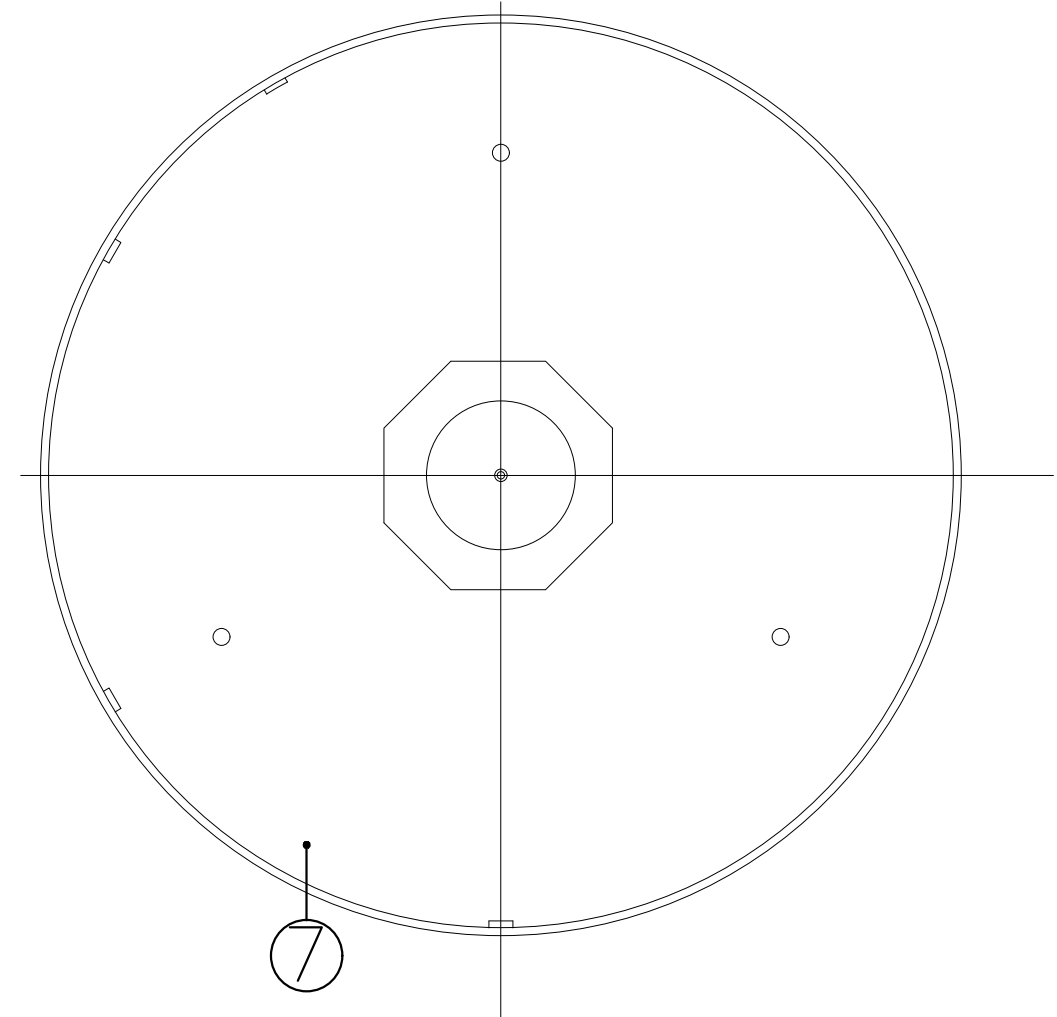
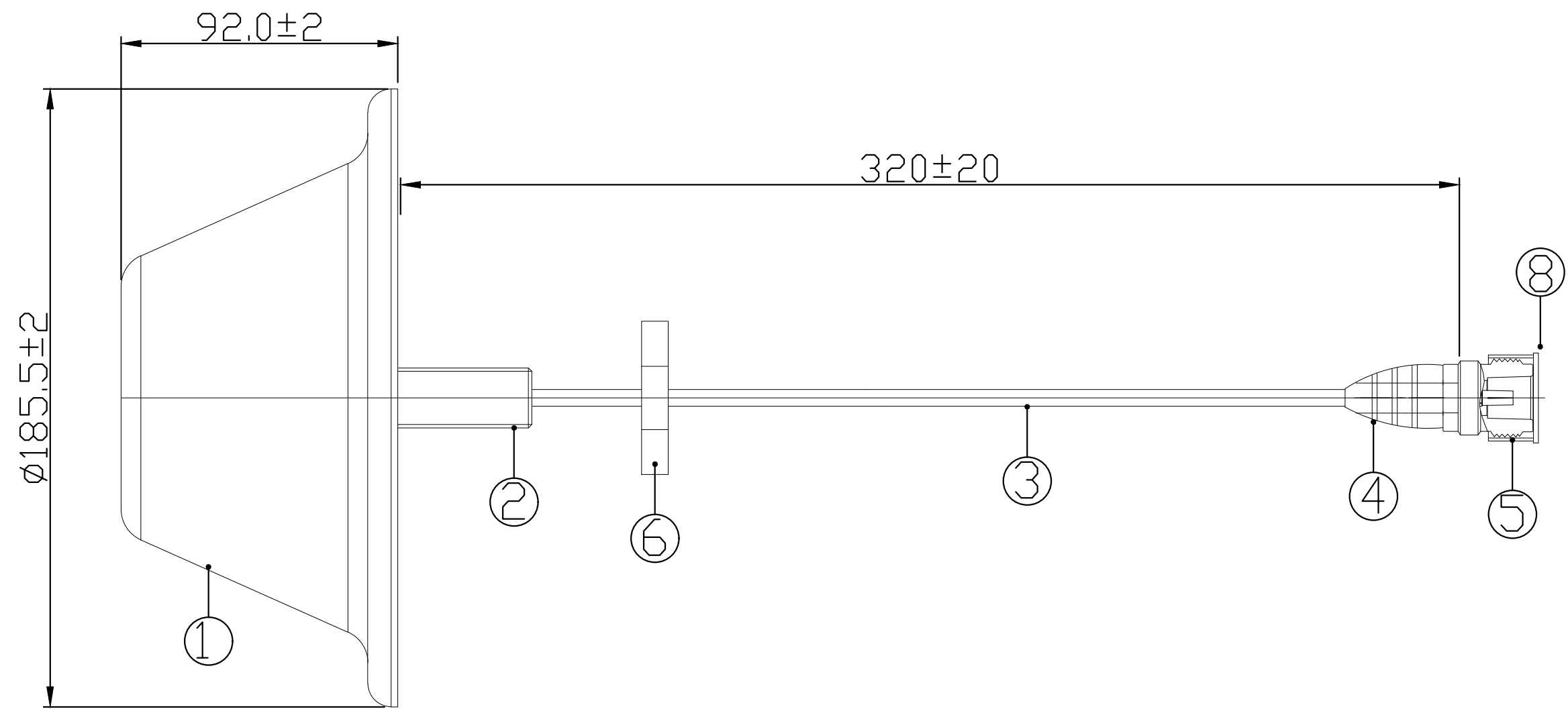


THIS DRAWING IS UNPUBLISHED. RELEASED FOR PUBLICATION  
 © COPYRIGHT - TE Connectivity ALL RIGHTS RESERVED.

REVISIONS				
P	LTR	DESCRIPTION	DATE	APVD
A		FIRST RELEASE	02APR2019	PH AC



⑧	Cap	Low density PE	1PC
⑦	Reflector	AL alloy	1PC
⑥	Nut	M18*1*8.0mm; ABS; White	1PC
⑤	Connector	Standard; straight	1PC
④	SR	PVS Tube	1PC
③	Cable	White jacket cable	1PC
②	Bolt	ABS; White	1PC
①	Radome	ABS; White	1PC
ITEM	NAME	MATERIAL	QTY
BILL OF MATERIAL			

TE PN 2195771-1

NOTES:

- MATERIALS : REFER TO TABLE.
- A: ALL MATERIALS, COMPONENTS AND PROCESSES SHALL COMPLY WITH TEC-138-702 (CONTAINS NO BANNED OR RESTRICTED SUBSTANCES)
- B: NO REACH SVHC SHALL BE CONTAINED ABOVE THE THRESHOLD AS DEFINED IN REACH SVHC COMPLIANCE DEFINITION IN ANNEX A OF TEC-138-702

THIS DRAWING IS A CONTROLLED DOCUMENT.		DWN PAUL HUANG 02APR2019		
DIMENSIONS: mm		CHK AMOS CHEAH 02APR2019		
TOLERANCES UNLESS OTHERWISE SPECIFIED:		APVD AMOS CHEAH 02APR2019	NAME 698-960;1710-2700; 3400-3800 MHz LTE/Cell Band Antenna	
0 PLC ± -		PRODUCT SPEC	SIZE A2 CAGE CODE 00779 DRAWING NO C=2195771	
1 PLC ± -		APPLICATION SPEC	RESTRICTED TO	
2 PLC ± -		WEIGHT -	SCALE 1:1 SHEET 1 of 1 REV A	
3 PLC ± -		CUSTOMER DRAWING		
4 PLC ± -				
ANGLES ± -				
FINISH -				