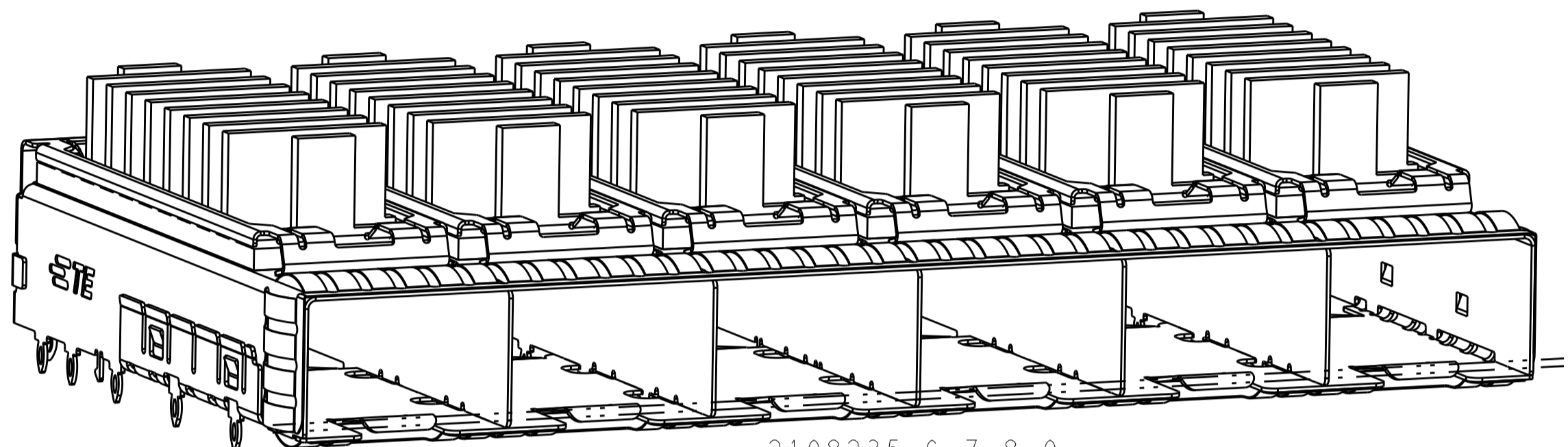
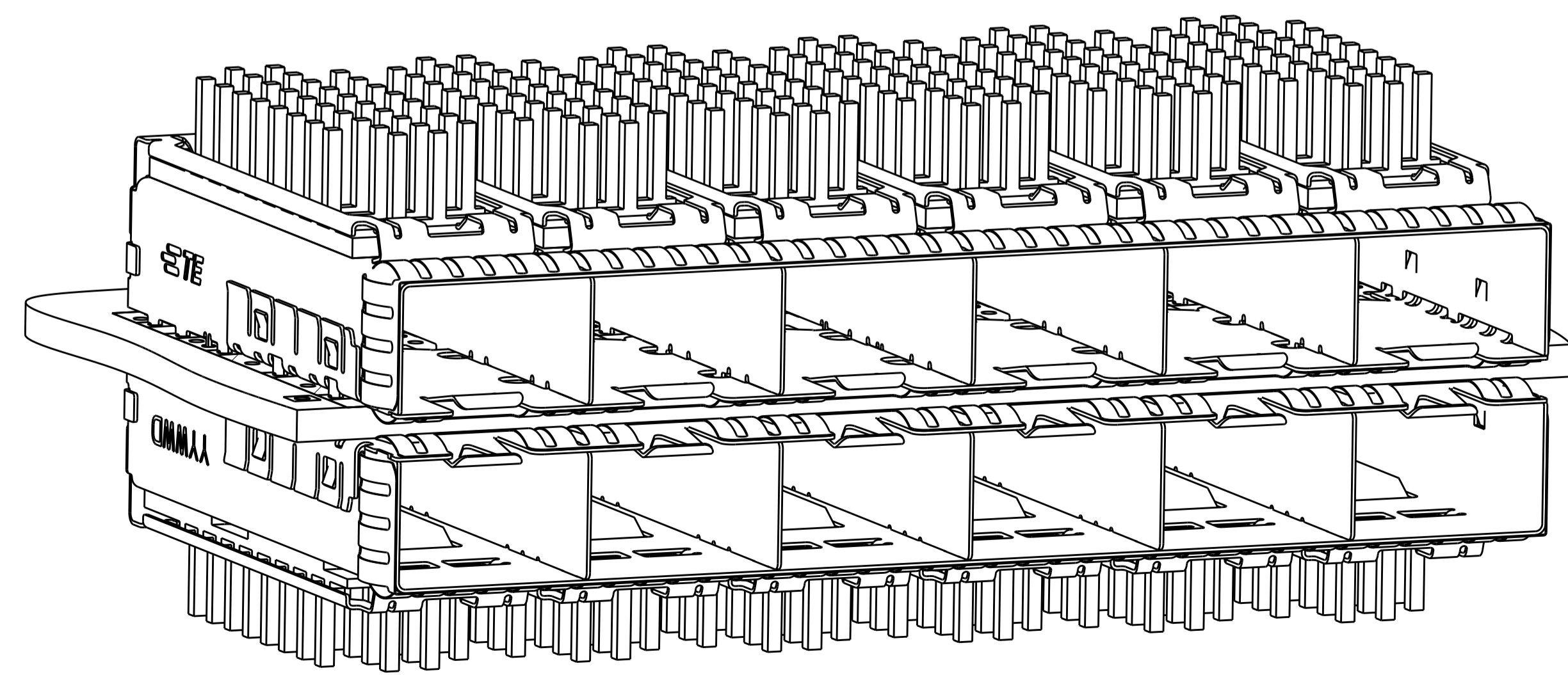
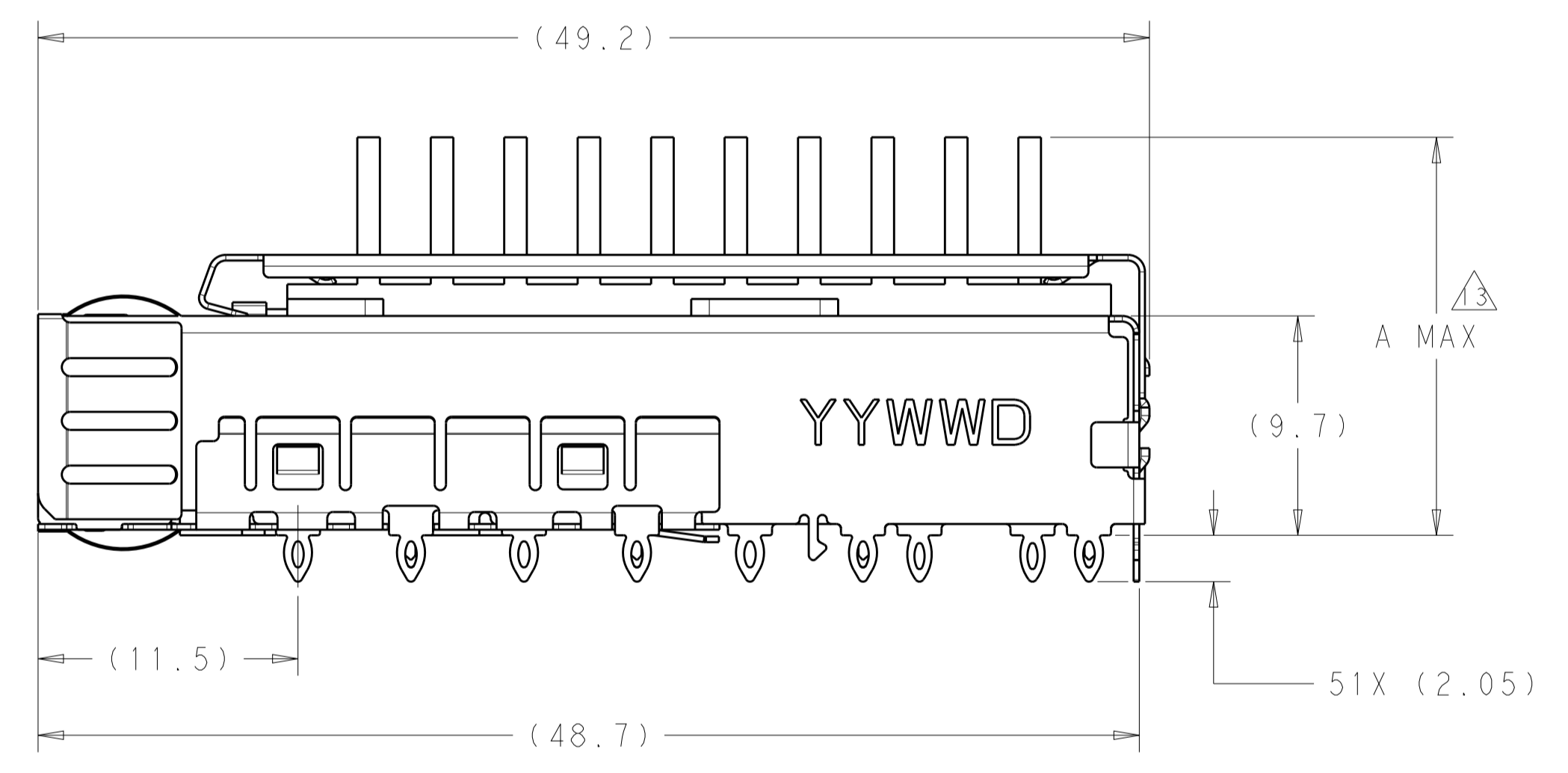
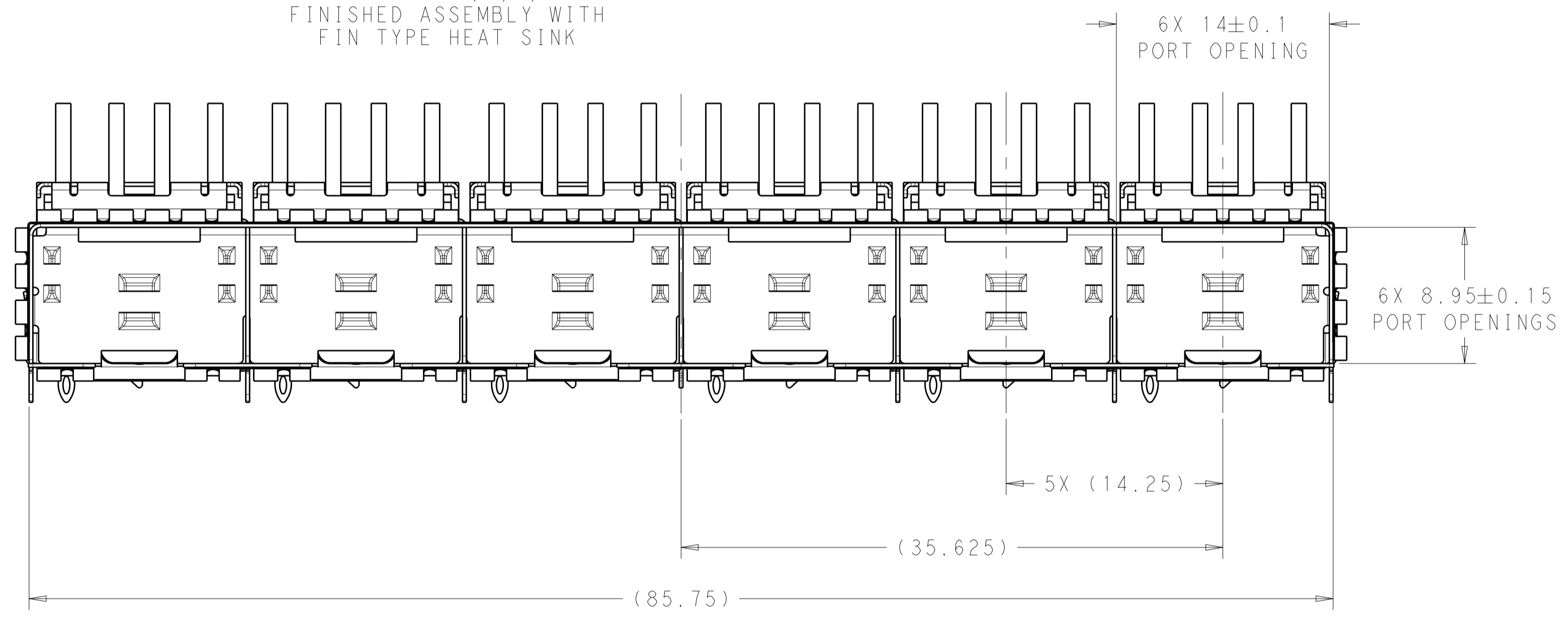


2198235-1,2,3,4,5  
FINISHED ASSEMBLY WITH  
PIN TYPE HEAT SINK



2198235-6,7,8,9  
FINISHED ASSEMBLY WITH  
FIN TYPE HEAT SINK



2198235  
MOUNTED BELLY TO BELLY ON PCB  
SCALE 3:1

- △ MATERIAL:  
CAGE ASSEMBLY: 0.25mm THICK NICKEL SILVER ALLOY.  
HEATSINK CLIP: STAINLESS STEEL  
HEATSINK: ALUMINUM
- △ FINISH:  
EMI SPRINGS: MINIMUM OF 0.8um TIN PLATE OVER A MINIMUM OF 0.8um NICKEL UNDERPLATE.  
NON-PLATED EDGES PERMISSIBLE.  
HEATSINK CLIP: PASSIVATE  
HEATSINK: ELECTROLESS NICKEL
- 3. MATES WITH SFP MSA COMPLIANT TRANSCEIVERS.
- △ PADS AND VIAS CHASSIS GROUND.
- 5. INTERPRETATION OF DATUM REFERENCE FRAME IN ACCORDANCE WITH SECT 4.4.1.1 OF ASME Y14.5M-1994.
- △ MINIMUM PC BOARD THICKNESS:  
SINGLE SIDED = 1.50mm  
DOUBLE SIDED = 2.25mm
- △ HOLE PATTERN REPEATS FOR EACH PORT. SPACING BETWEEN PORTS IS 14.25mm.
- △ DATUM AND BASIC DIMENSION ESTABLISHED BY CUSTOMER.
- △ REFERENCE APPLICATION SPEC. 114-13120, HOLE A, FOR RECOMMENDED DRILL HOLE DIAMETER AND PLATING THICKNESS.
- △ REFERENCE APPLICATION SPEC. 114-13120, HOLE B, FOR RECOMMENDED DRILL HOLE DIAMETER AND PLATING THICKNESS.
- 11. CERTAIN MATING TRANCEIVERS MAY REQUIRE ADDITIONAL PCB THICKNESS THAT WOULD BE DETERMINED BY THE CUSTOMER.
- 12. PRODUCT COMPLIES WITH SPECIFICATION SFF-8433 IMPROVED PLUGGABLE FORM FACTOR FOR SFP+ GANGED CAGES.
- △ DIMENSION APPLIES PRIOR TO INSERTION OF SFP MODULE

LOC	DIST	REVISIONS				
GP	00	REV	DESCRIPTION	DATE	OWN	APVD
		A	RELEASED PER ECO-12-013192	06NOV2012	BMM	MRS
		B	RELEASED PER ECO-13-000564	30JAN2013	BMM	MRS
		B1	RELEASED PER ECO-13-014600	20SEP2013	PP	SH
		B2	RELEASED PER ECO-15-006578	20APR2015	PP	SH

FIN TYPE	W/O INSULATING TAPE	22.5	NETWORKING, TALL	2198235-9
FIN TYPE	W/O INSULATING TAPE	18.1	NETWORKING, SHORT	2198235-8
FIN TYPE	W/O INSULATING TAPE	15.5	SAN	2198235-7
FIN TYPE	W/O INSULATING TAPE	13.2	PCI	2198235-6
PIN TYPE	W/ INSULATING TAPE	22.5	NETWORKING, TALL	2198235-5
PIN TYPE	W/O INSULATING TAPE	22.5	NETWORKING, TALL	2198235-4
PIN TYPE	W/O INSULATING TAPE	18.1	NETWORKING, SHORT	2198235-3
PIN TYPE	W/O INSULATING TAPE	15.5	SAN	2198235-2
PIN TYPE	W/O INSULATING TAPE	13.2	PCI	2198235-1
HEAT SINK	DESCRIPTION	A MAX	APPLICATION	PART NUMBER

THIS DRAWING IS A CONTROLLED DOCUMENT.

OWN: B. MATTHEWS 15NOV2011  
CHK: M. SCHMITT 15NOV2011  
APVD: M. SCHMITT 15NOV2011

DIMENSIONS: mm

TOLERANCES UNLESS OTHERWISE SPECIFIED:  
0 PLC ±0.1  
1 PLC ±0.1  
2 PLC ±0.1  
3 PLC ±0.1  
4 PLC ±0.1  
ANGLES ±0.1

MATERIAL: △  
FINISH: △

PRODUCT SPEC: 108-2364  
APPLICATION SPEC: 114-13120

WEIGHT: -

Customer Drawing

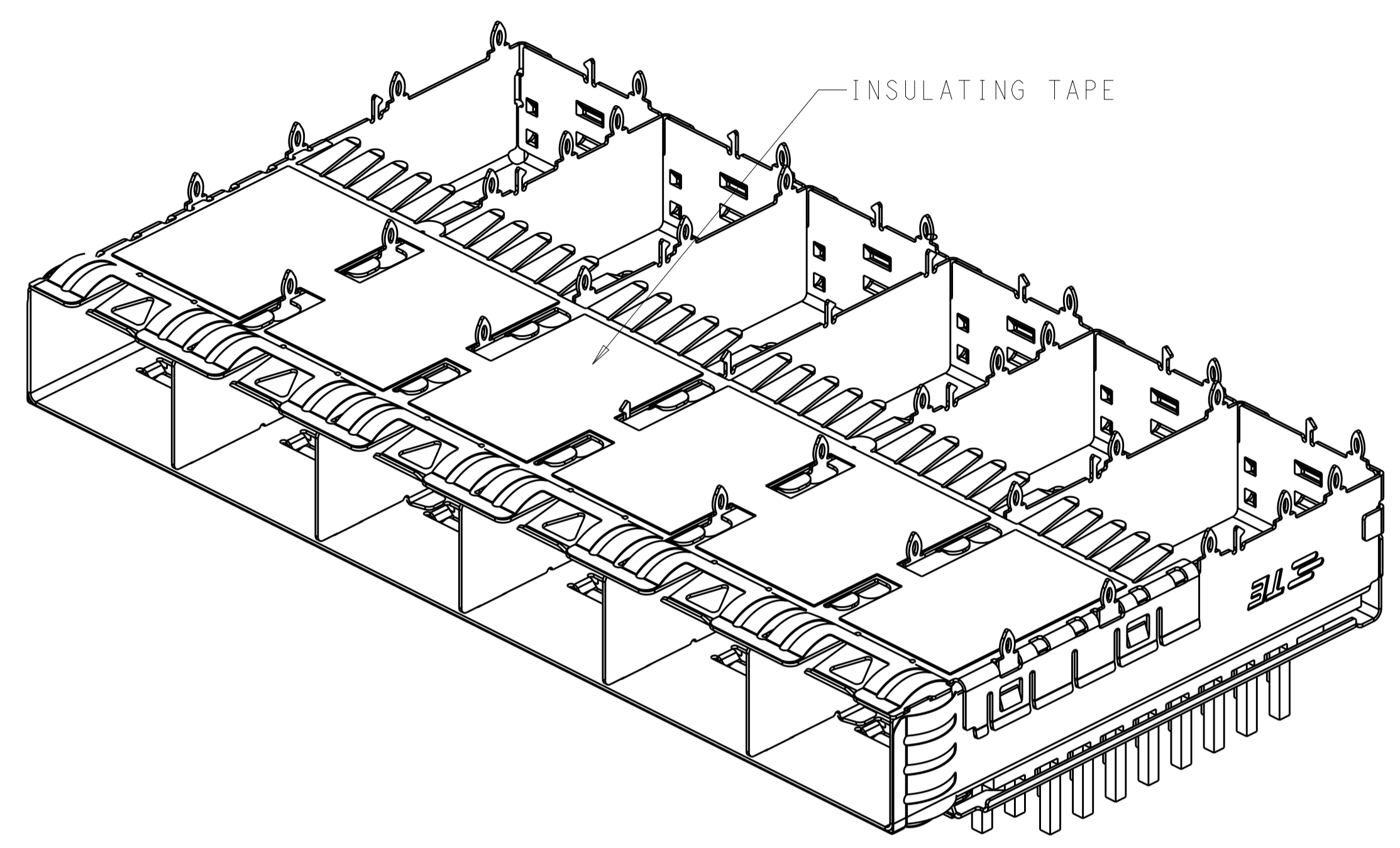
NAME: SFP+ ENHANCED 1X6 CAGE ASSEMBLY, PRESS FIT, EXTERNAL EMI SPRINGS WITH HEATSINK

SIZE: CAGE CODE DRAWING NO: A100779  
SCALE: 4:1

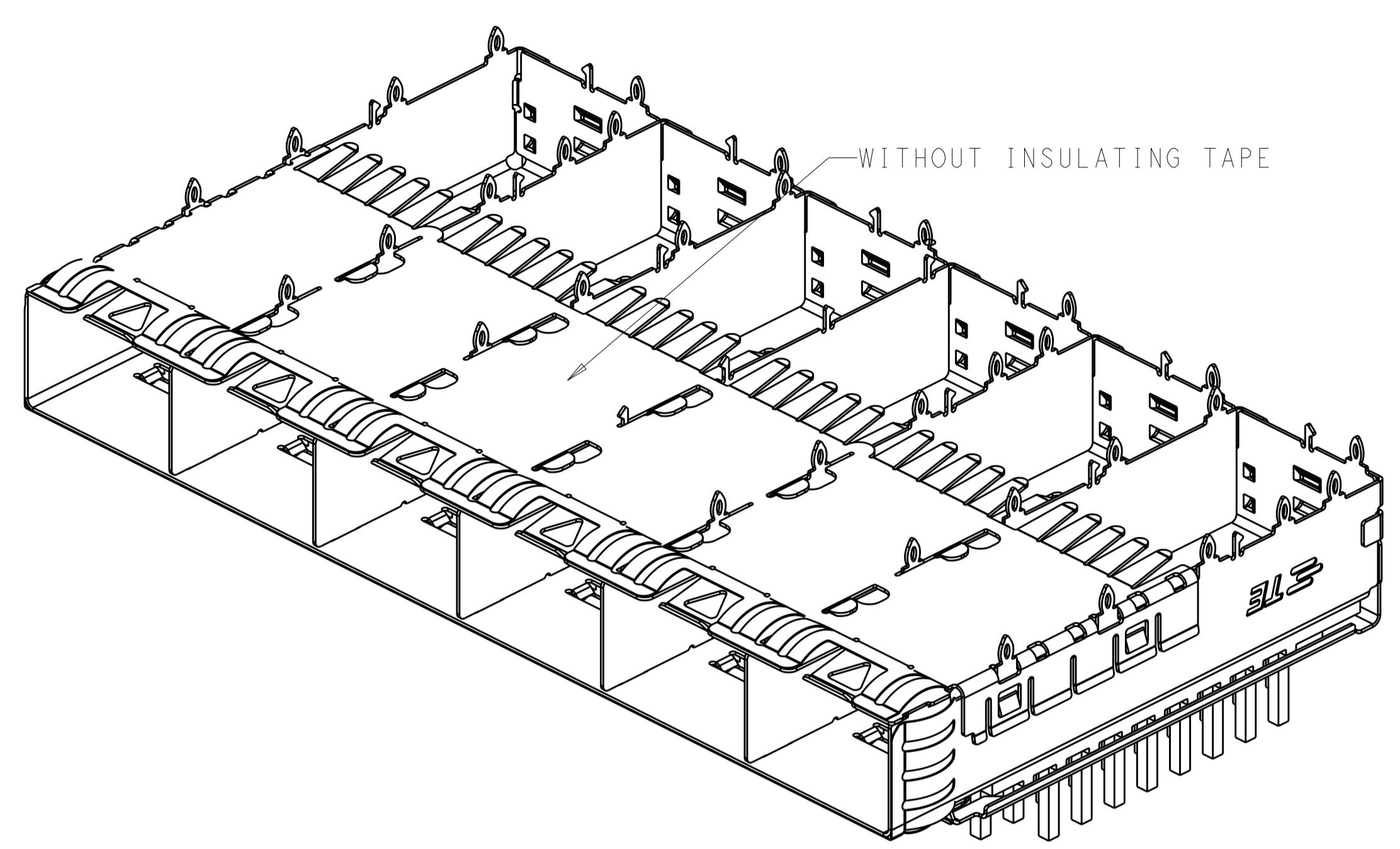
RESTRICTED TO: -

SCALE: 4:1 SHEET 1 OF 7 REV: B2

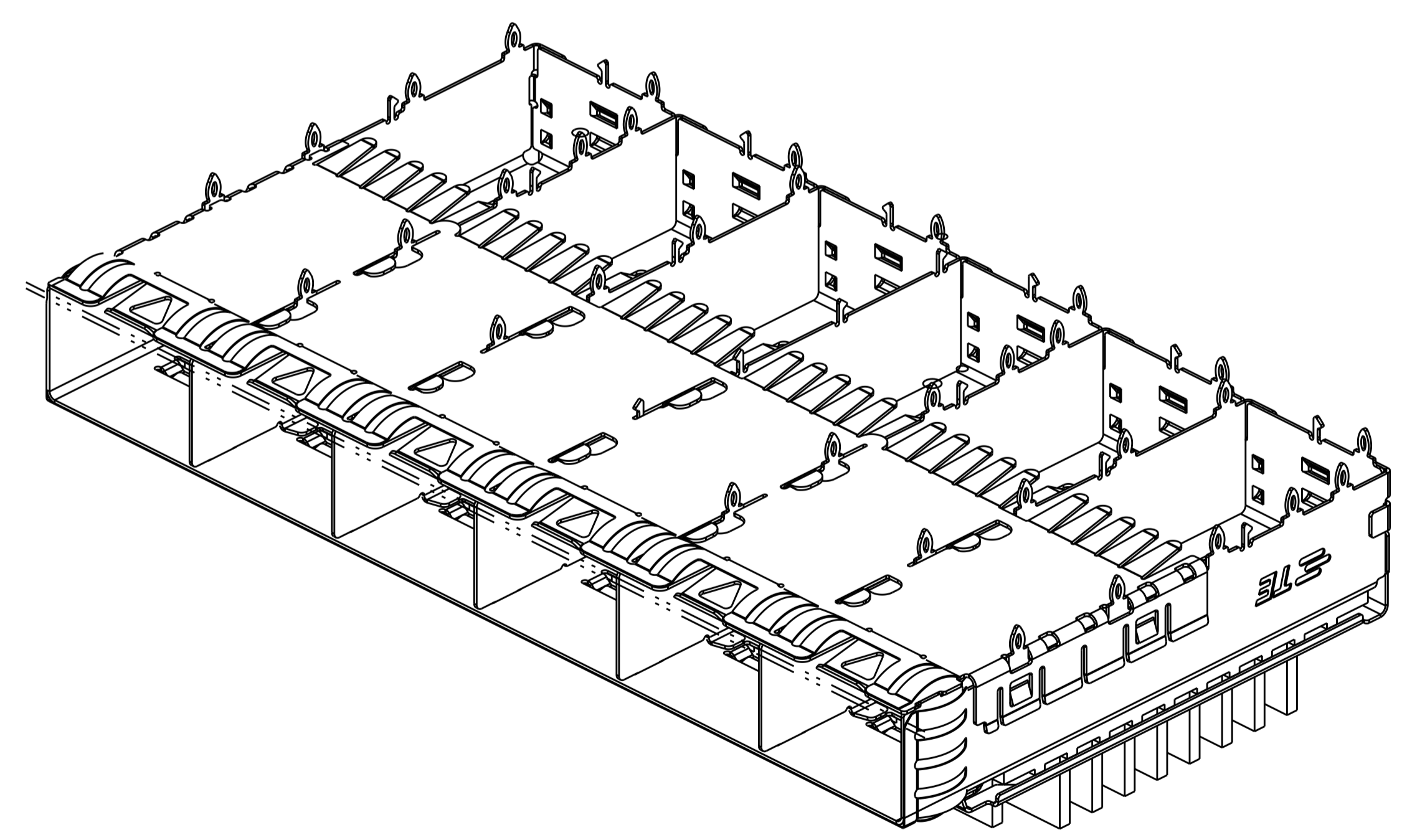
LOC	DIST	REVISIONS					
GP	00	P	LYR	DESCRIPTION	DATE	DWN	APVD
		-		SEE SHEET 1			



2198235-5 AS SHOWN WITH INSULATING TAPE  
 WITH PIN TYPE HEAT SINK



2198235-1,2,3,4 WITHOUT INSULATING TAPE  
 WITH PIN TYPE HEAT SINK



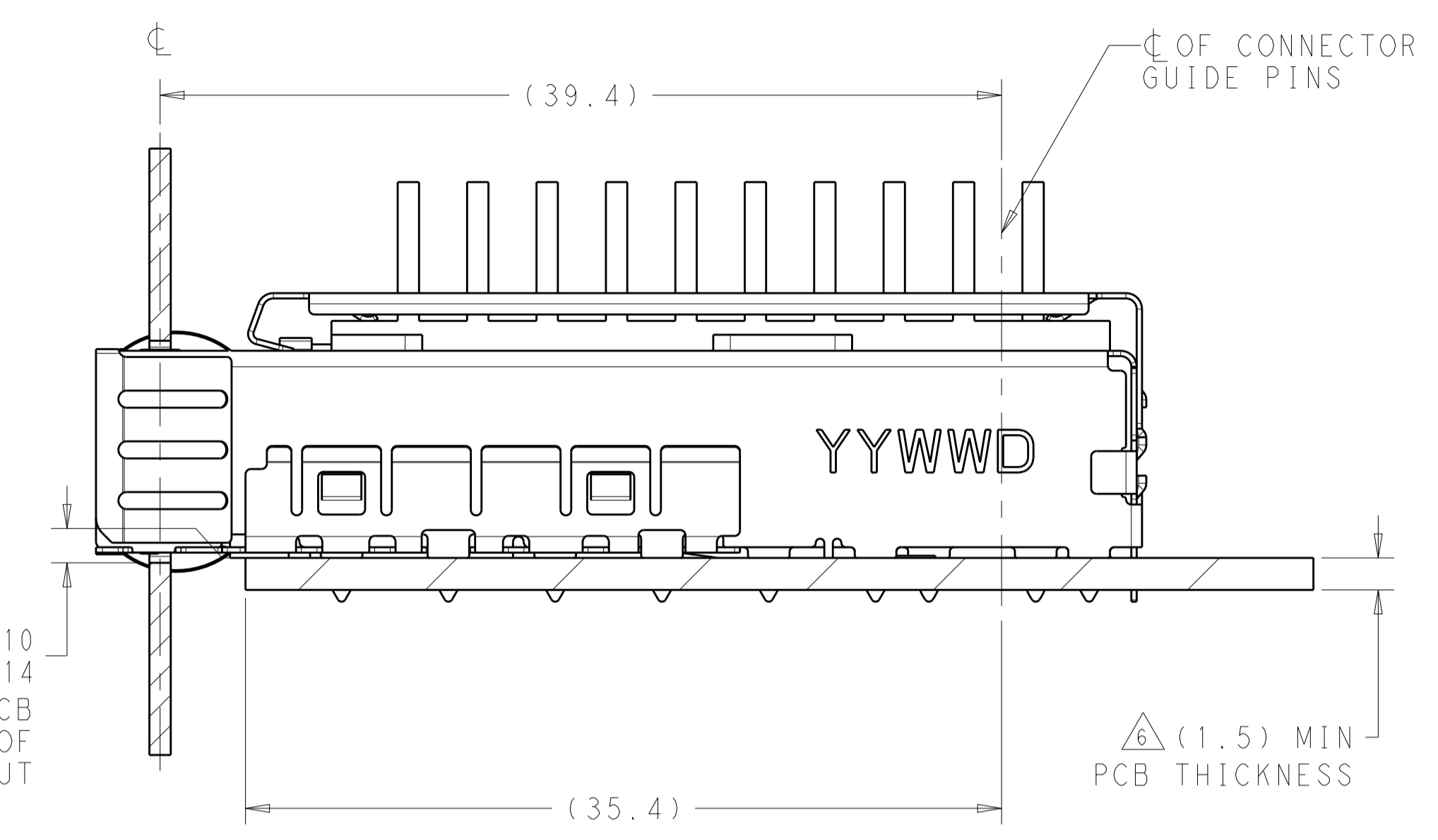
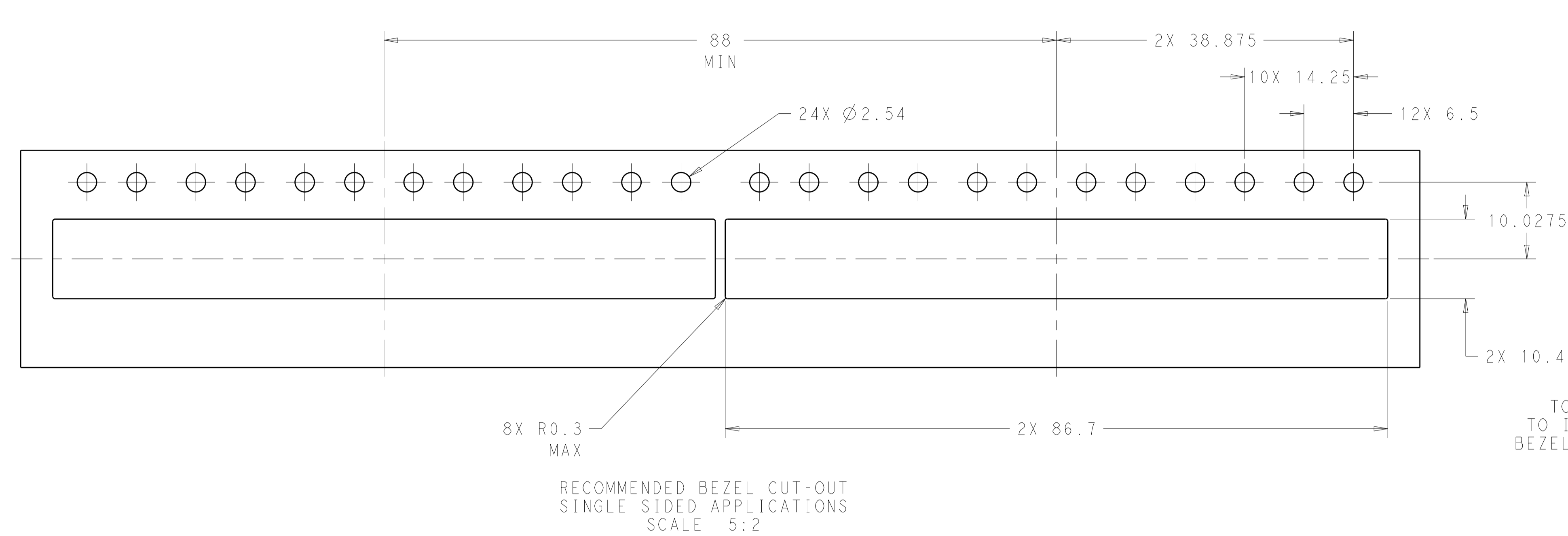
2198235-6,7,8,9 AS SHOWN WITHOUT INSULATING TAPE WITH FIN TYPE HEAT SINK

THIS DRAWING IS A CONTROLLED DOCUMENT.		DWN	B. MATTHEWS	15NOV2011	<b>STE</b> TE Connectivity							
DIMENSIONS:		CHK	M. SCHMITT	15NOV2011								
mm	TOLERANCES UNLESS OTHERWISE SPECIFIED:	APVD	M. SCHMITT	15NOV2011	NAME SFP+ ENHANCED 1X6 CAGE ASSEMBLY, PRESS FIT, EXTERNAL EMI SPRINGS WITH HEATSINK							
0 PLC	±0.1	PRODUCT SPEC	108-2364	SIZE		CAGE CODE	DRAWING NO	RESTRICTED TO				
1 PLC	±0.1	APPLICATION SPEC	114-13120	WEIGHT	A100779	C=2198235						
2 PLC	±0.1	MATERIAL		Customer Drawing	SCALE	4:1	SHEET	2	OF	7	REV	B2
3 PLC	±0.1	FINISH										
4 PLC	±0.1											
ANGLES	±1°											

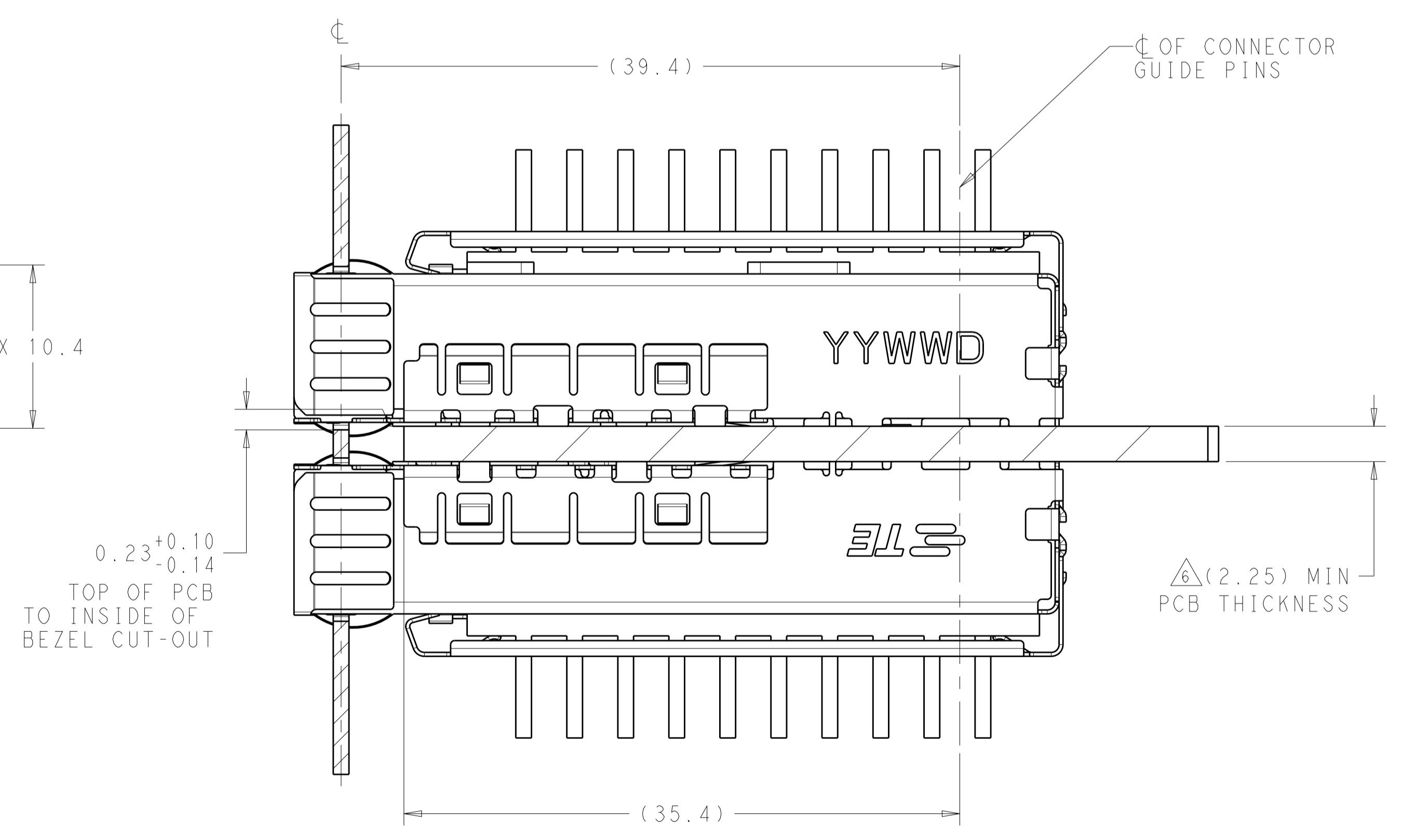
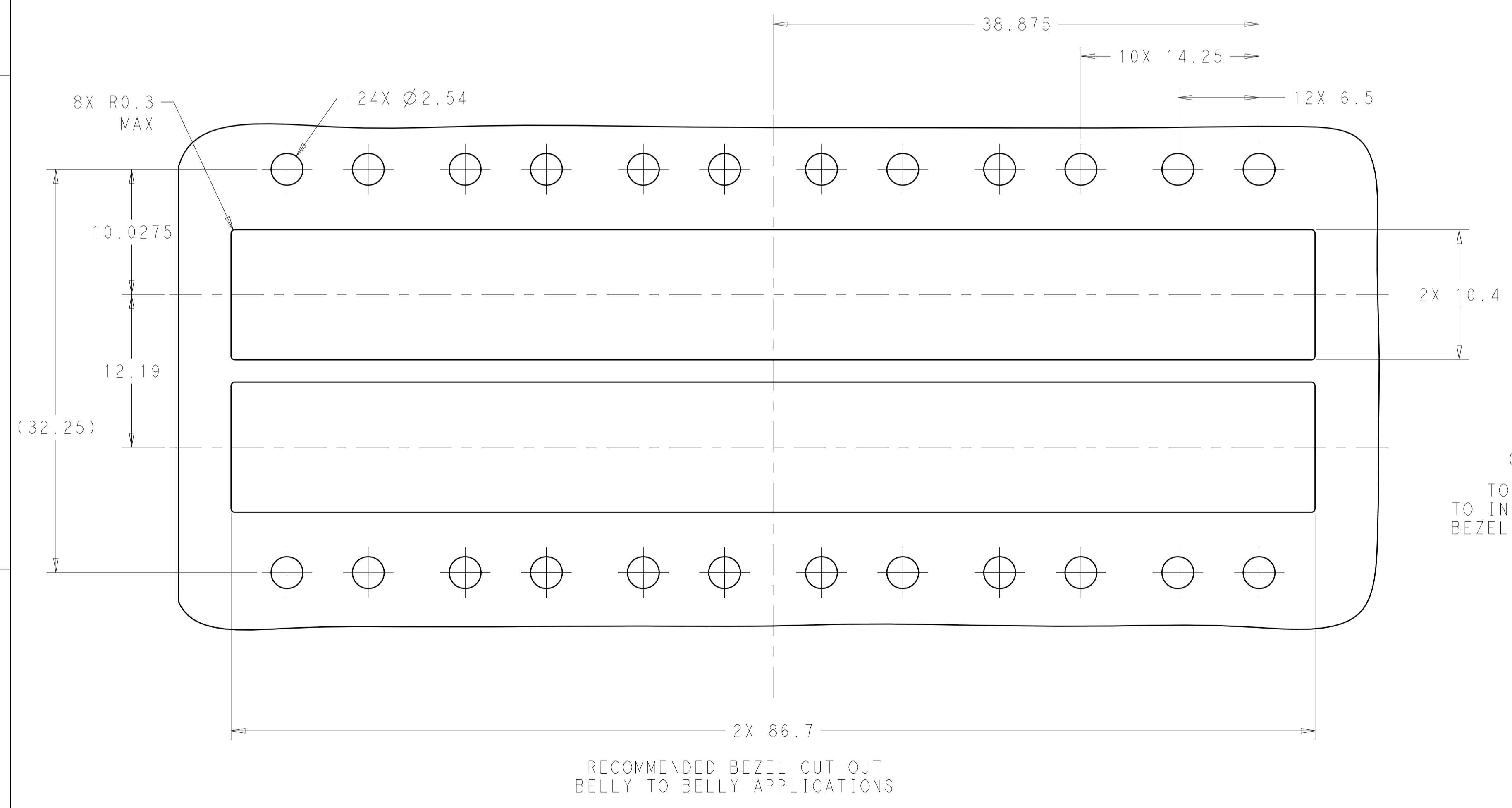
LOC	DIST	REV	DATE	BY	APPD
GP	00				

REVISIONS			
NO.	DESCRIPTION	DATE	BY
-	SEE SHEET 1	-	-



2198235  
MOUNTED ON PC BOARD  
SHOWN THRU RECOMMENDED BEZEL



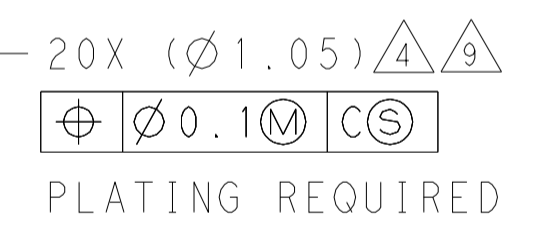
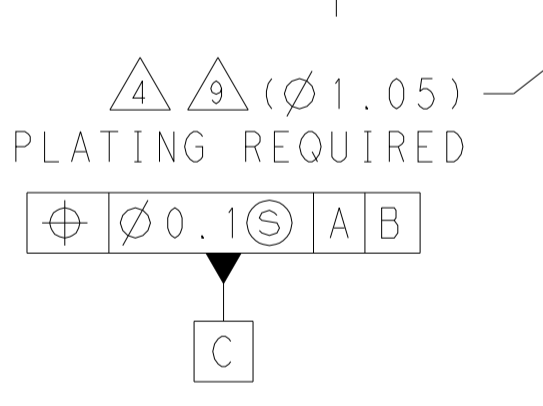
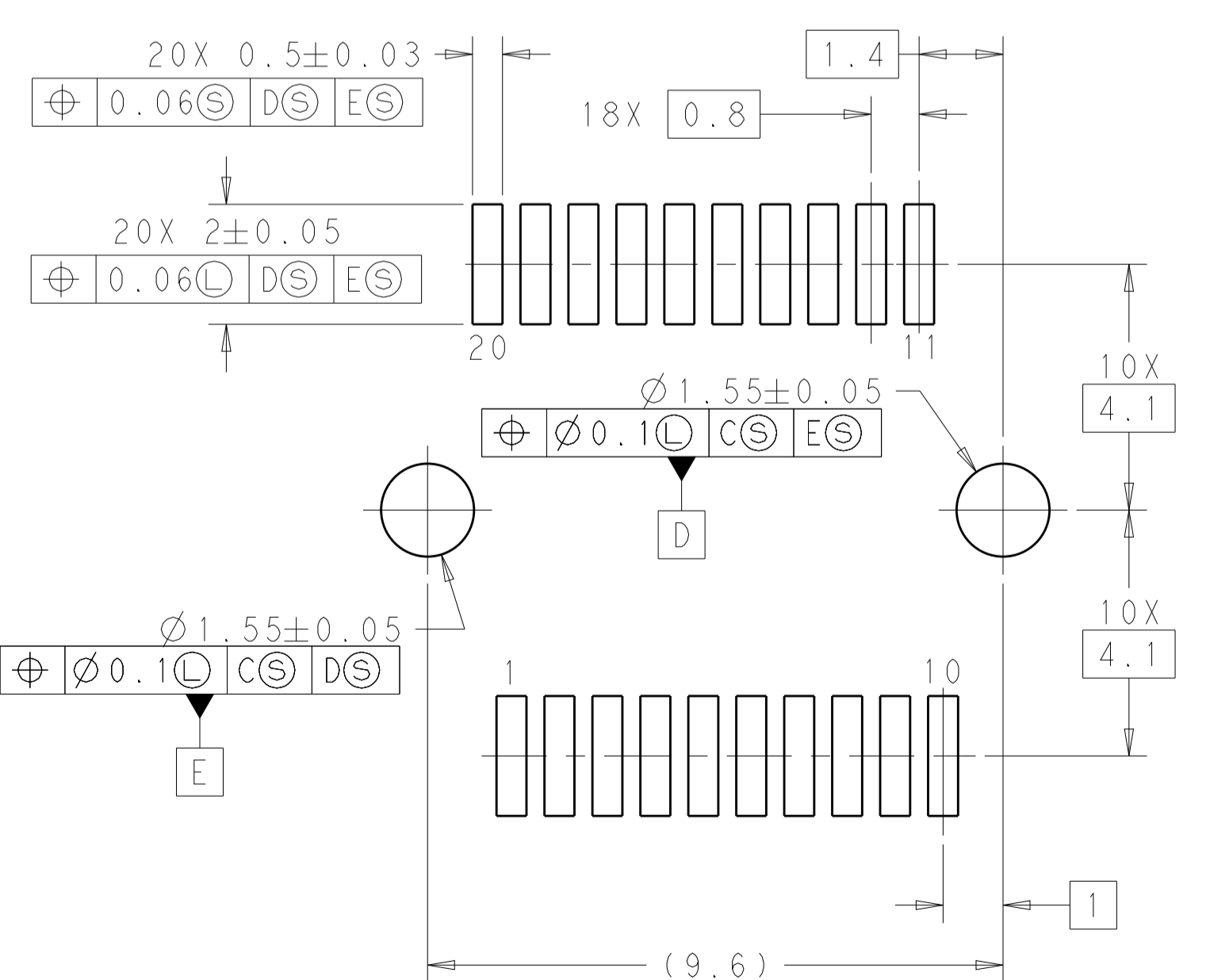
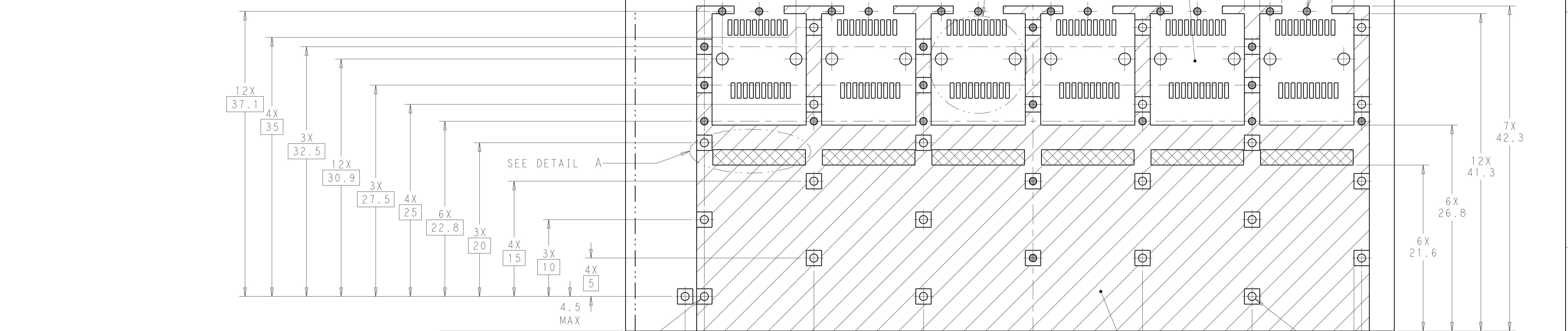
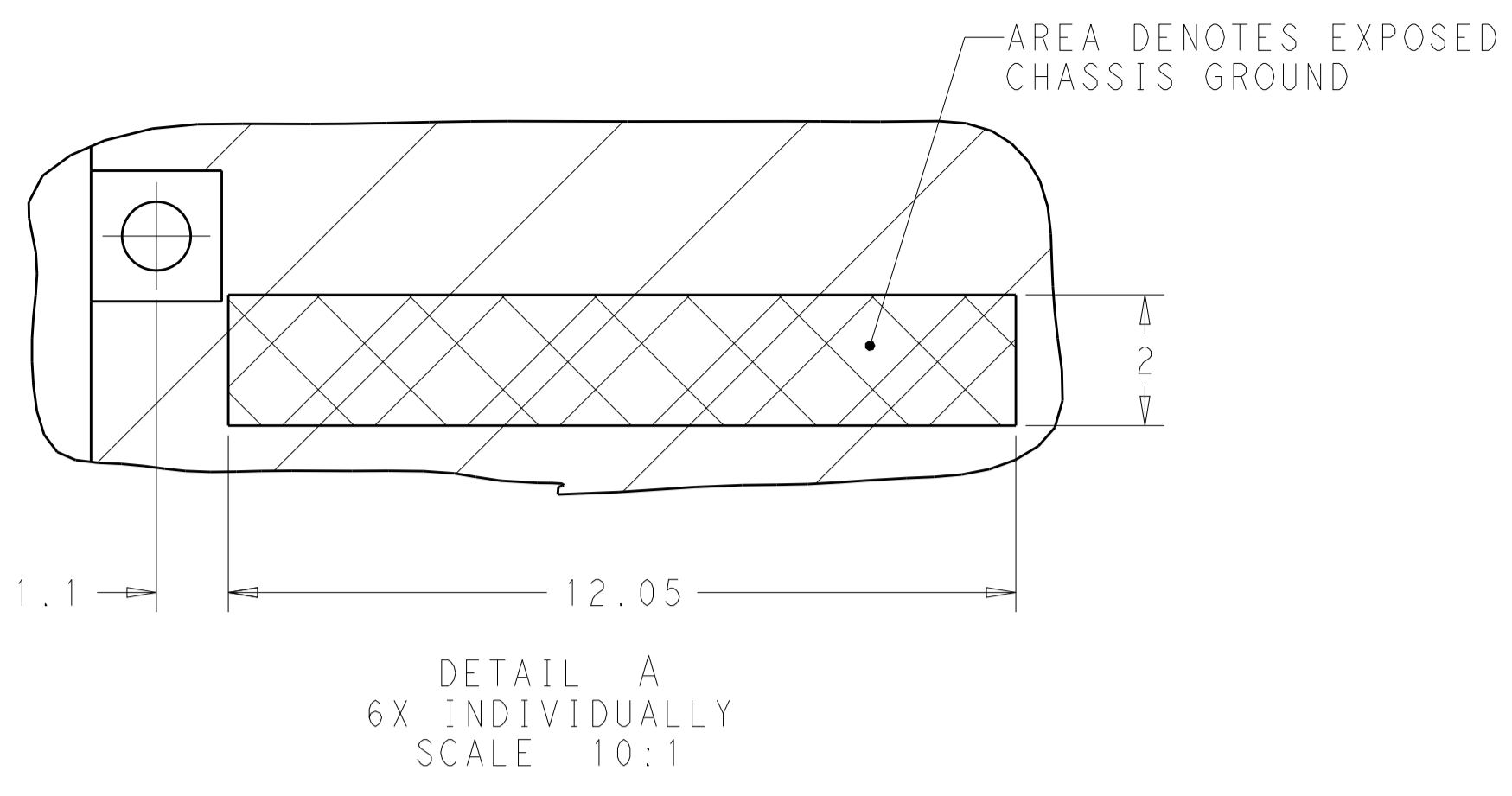
2198235  
MOUNTED BELLY TO BELLY ON PC BOARD  
SHOWN THRU RECOMMENDED BEZEL

THIS DRAWING IS A CONTROLLED DOCUMENT.		OWN: B. MATTHEWS 15NOV2011	TE Connectivity
DIMENSIONS: mm		CHK: M. SCHMITT 15NOV2011	
TOLERANCES UNLESS OTHERWISE SPECIFIED:		APVD: M. SCHMITT 15NOV2011	NAME: SFP+ ENHANCED 1X6 CAGE ASSEMBLY, PRESS FIT, EXTERNAL EMI SPRINGS WITH HEATSINK
0 PLC	±0.1	PRODUCT SPEC	SIZE: CAGE CODE DRAWING NO. RESTRICTED TO
1 PLC	±0.1	108-2364	A100779C=2198235
2 PLC	±0.1	APPLICATION SPEC	SCALE: 4:1 SHEET 3 OF 7 REV: B2
3 PLC	±0.1	114-13120	
4 PLC	±0.1	WEIGHT: -	
ANGLES	±1°	Customer Drawing	

LOC	DIST	REV	DATE	BY	APPV
GP	00				

REVISIONS			
REV	DATE	BY	APPV
-	-	-	-
-	-	-	-



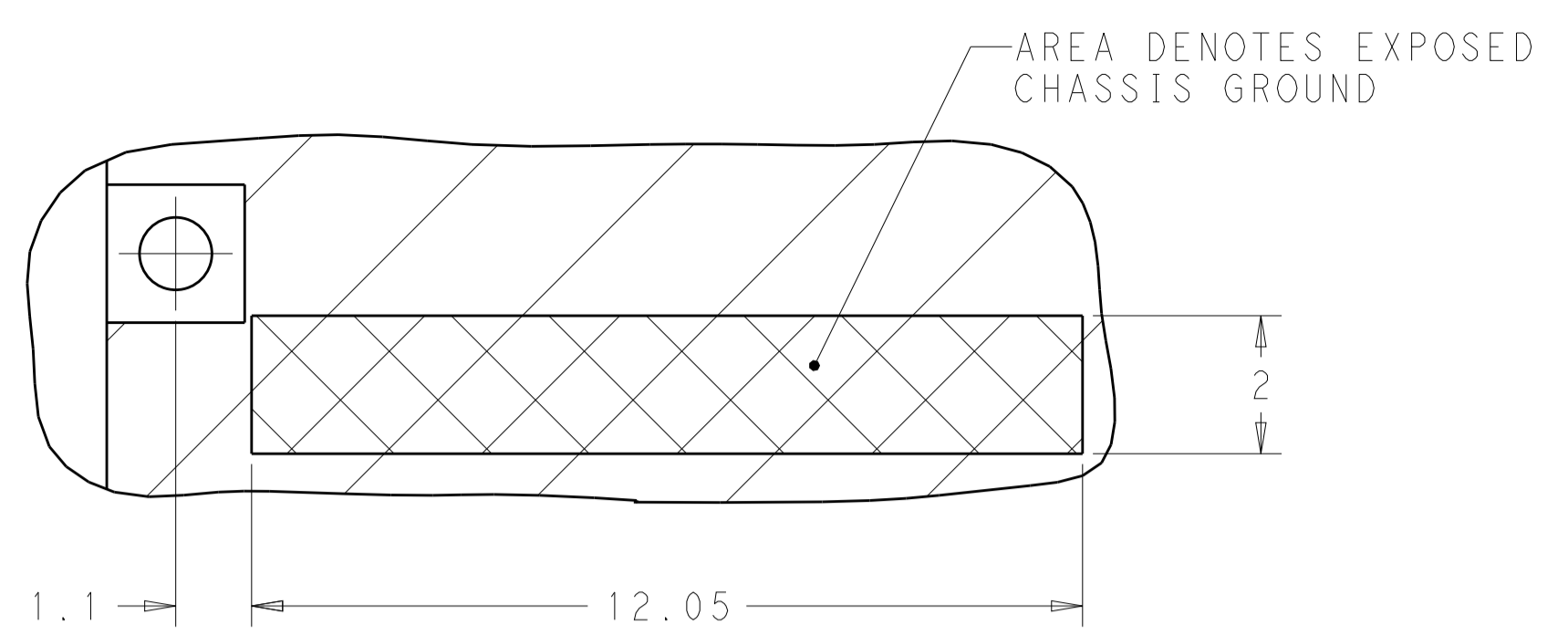
RECOMMENDED PCB CONFIGURATION WITH KEEP-OUT AREAS SINGLE SIDED APPLICATIONS SCALE 4:1

CROSS-HATCHED AREA DENOTES COMPONENT AND TRACE KEEP-OUT (EXCEPT CHASSIS GROUND)

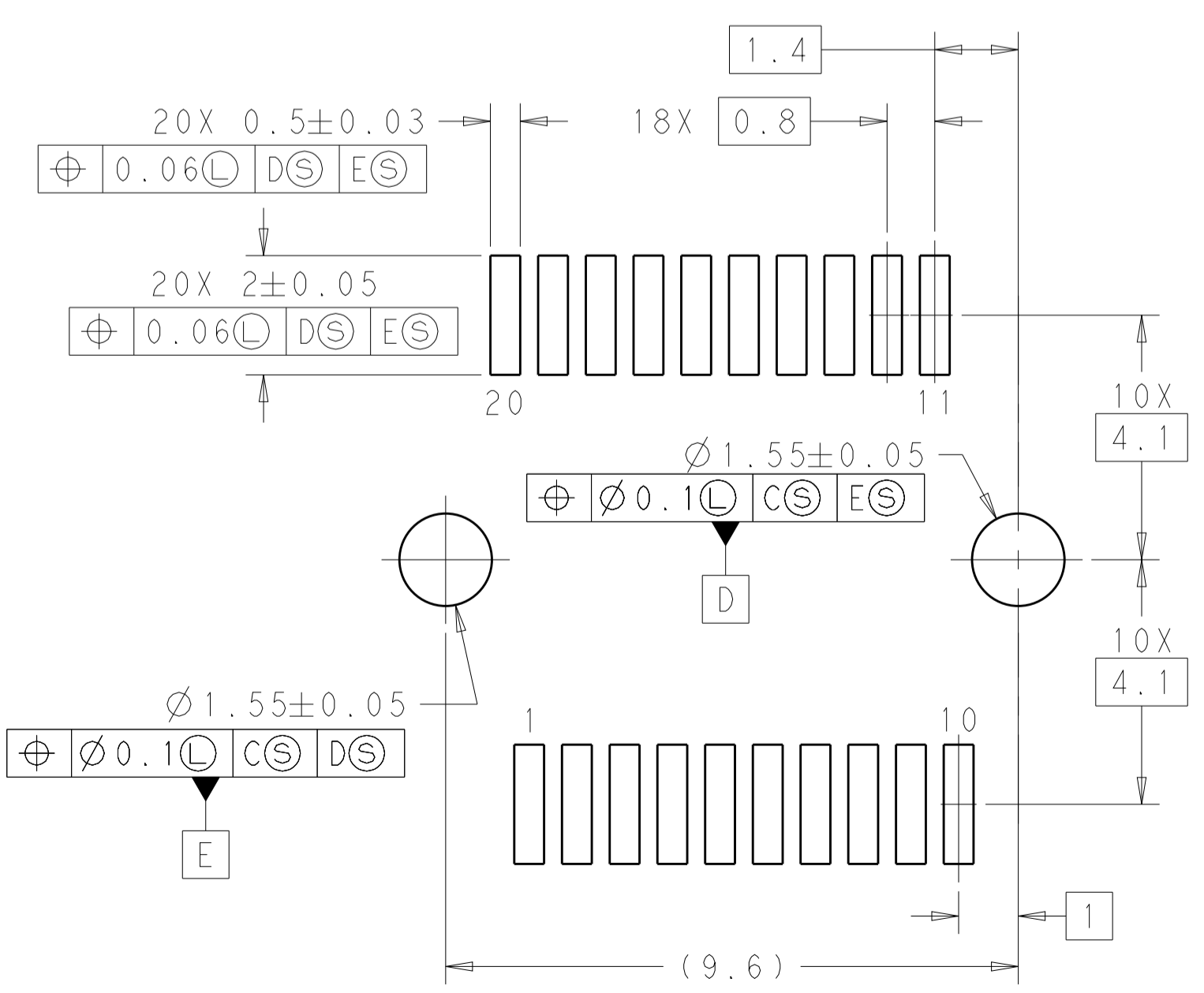
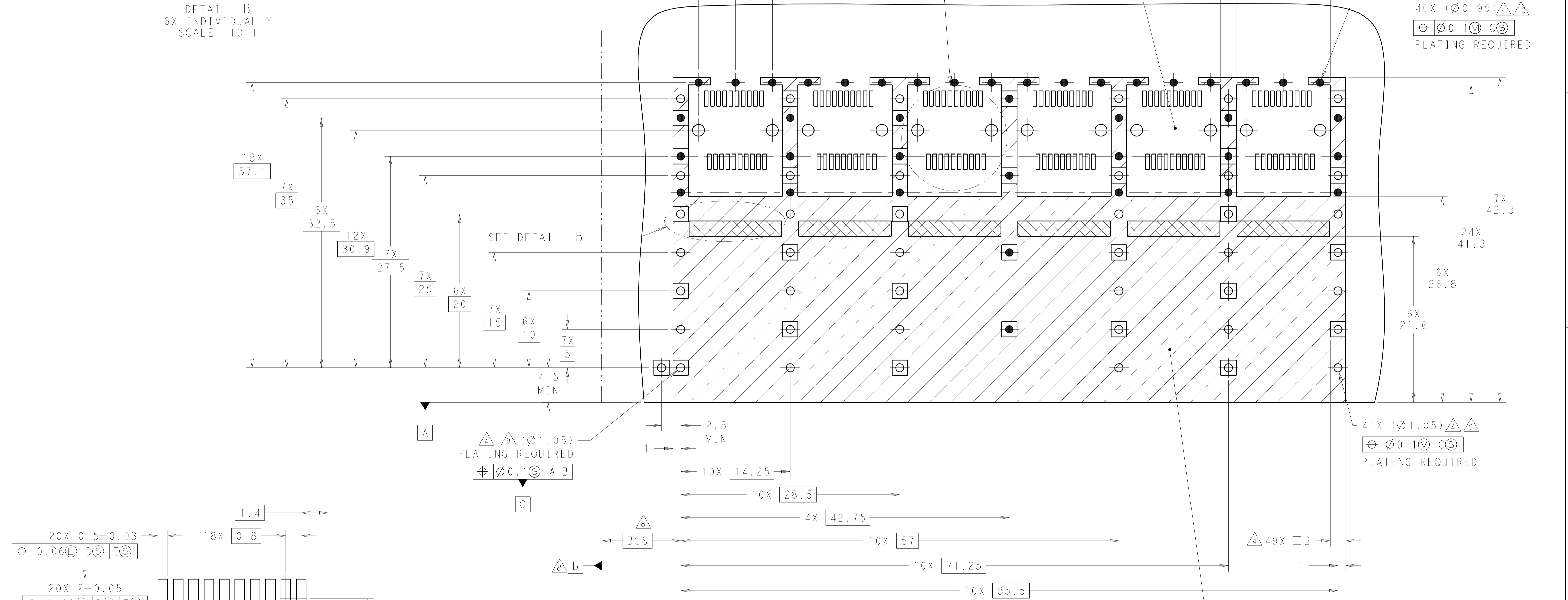
DETAIL X  
RECOMMENDED PT CONNECTOR LAYOUT  
6X INDIVIDUALLY  
SCALE 10:1

THIS DRAWING IS A CONTROLLED DOCUMENT.		OWN: B. MATTHEWS 15NOV2011	TE Connectivity
DIMENSIONS: mm		CHK: M. SCHMITT 15NOV2011	
TOLERANCES UNLESS OTHERWISE SPECIFIED:		APVD: M. SCHMITT 15NOV2011	NAME: SFP+ ENHANCED 1X6 CAGE ASSEMBLY, PRESS FIT, EXTERNAL EMI SPRINGS WITH HEATSINK PRODUCT SPEC: 108-2364 APPLICATION SPEC: 114-13120
0 PLC ±0.1 1 PLC ±0.1 2 PLC ±0.1 3 PLC ±0.1 4 PLC ±0.1 ANGLES ±1°		WEIGHT: - Customer Drawing	
MATERIAL:	FINISH:	SCALE: 4:1	RESTRICTED TO: -
		SHEET 4 OF 7	REV: B2

LOC	DIST	REV	DATE	APPD	REVISED
GP	00				
					SEE SHEET 1



DETAIL B  
6X INDIVIDUALLY  
SCALE 10:1



DETAIL Y  
RECOMMENDED PT CONNECTOR LAYOUT  
12X INDIVIDUALLY  
SCALE 10:1

RECOMMENDED PCB CONFIGURATION  
WITH KEEP-OUT AREAS  
BELLY TO BELLY APPLICATIONS  
SCALE 4:1

CROSS-HATCHED AREA  
DENOTES COMPONENT  
AND TRACE KEEP-OUT  
(EXCEPT CHASSIS  
GROUND)

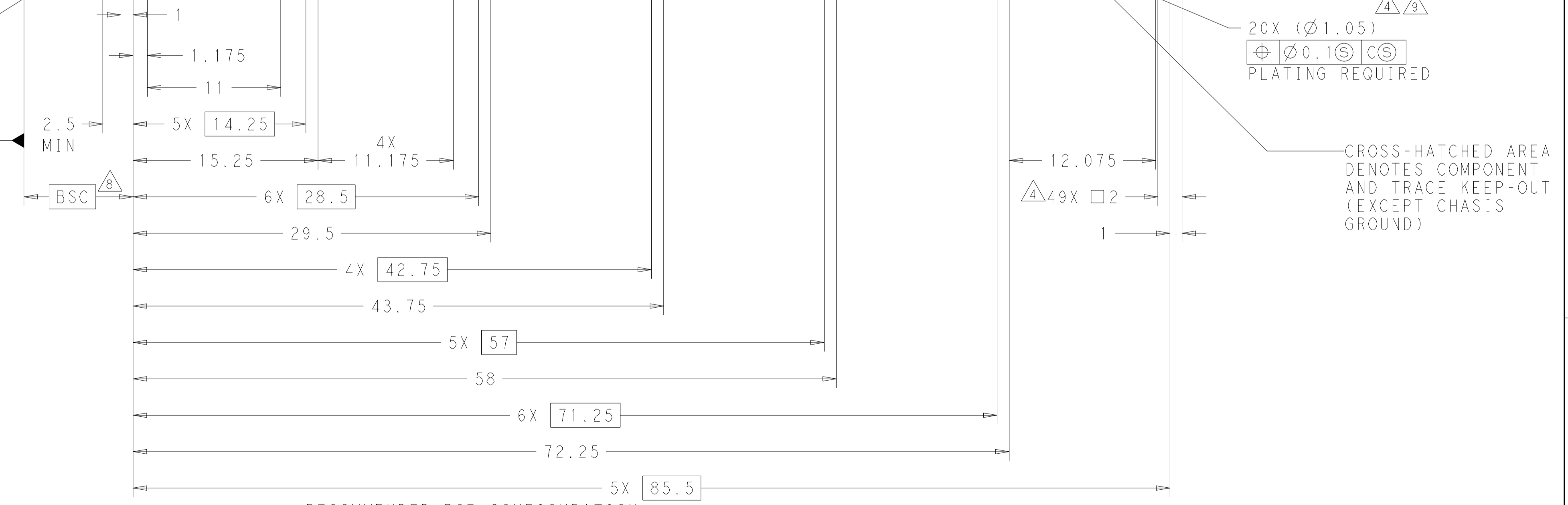
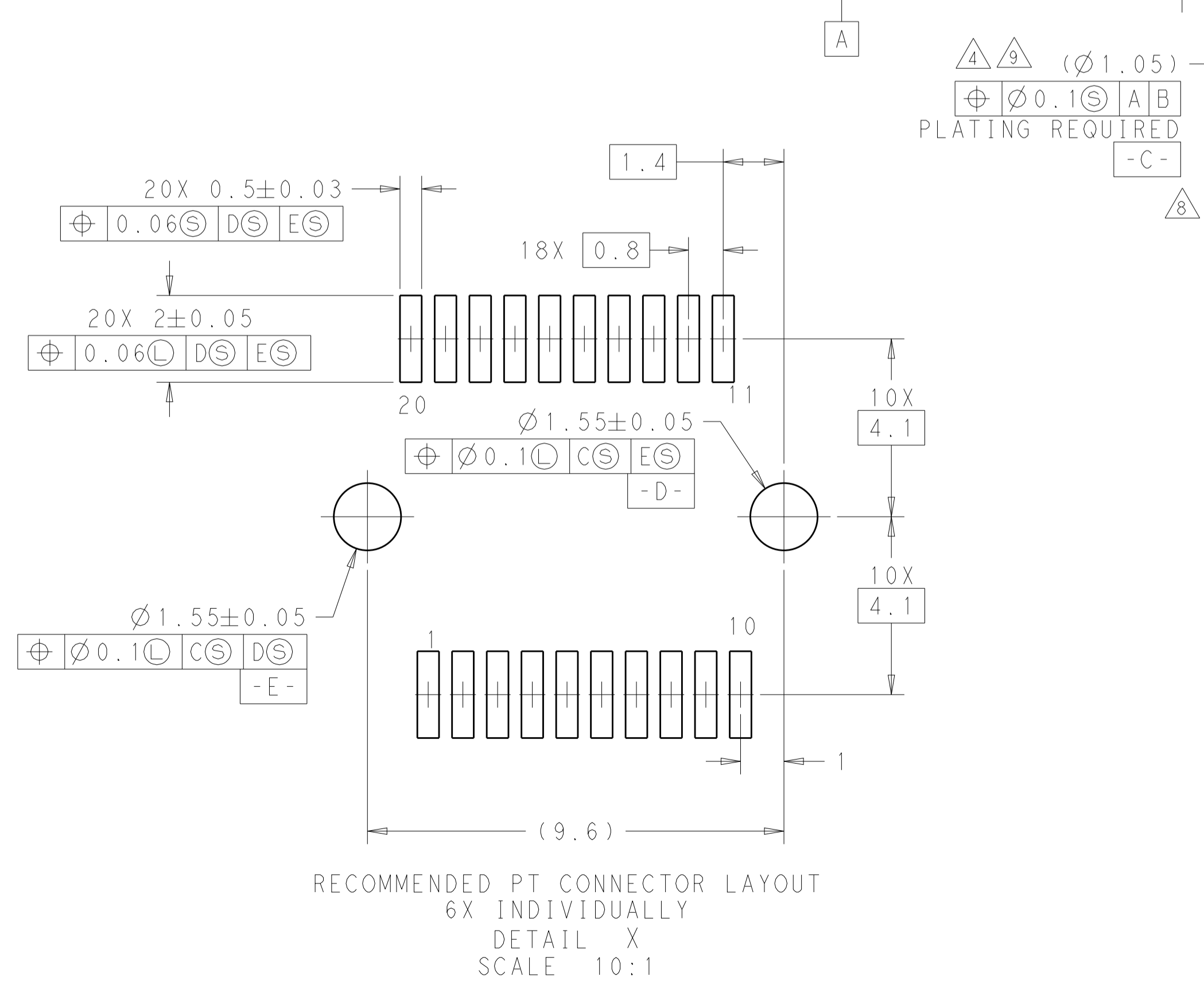
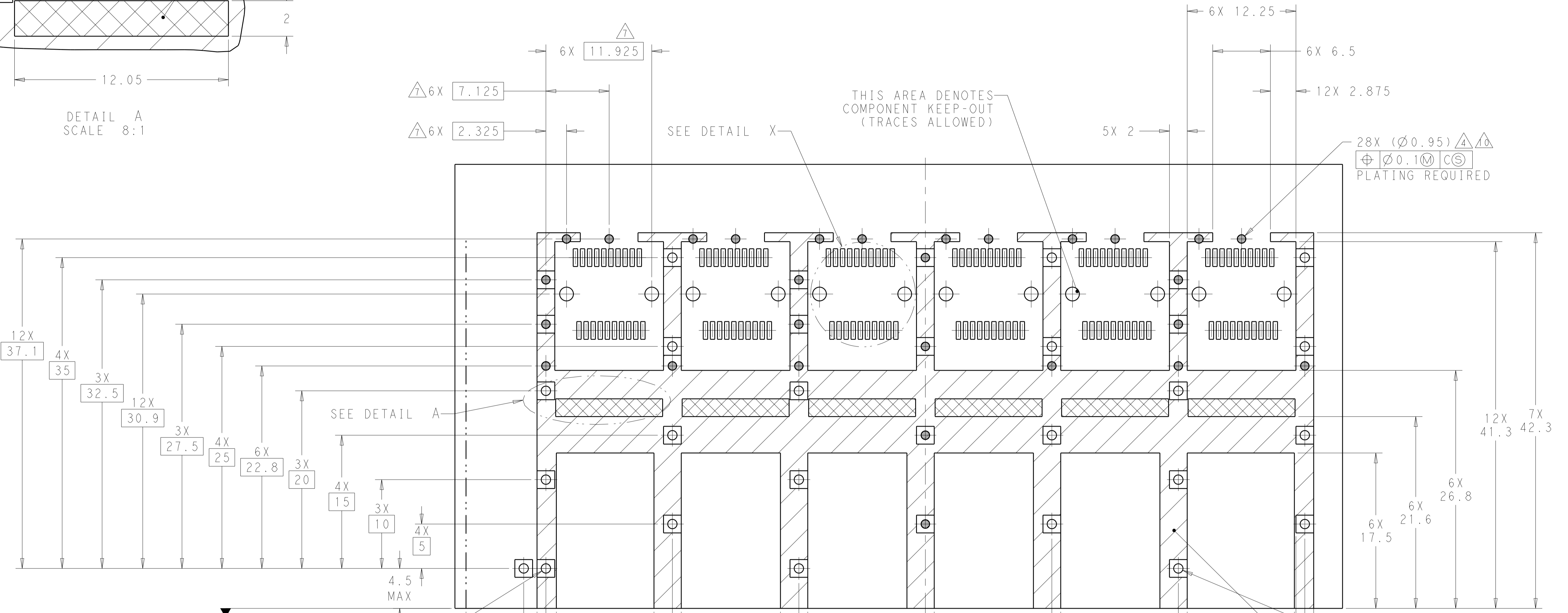
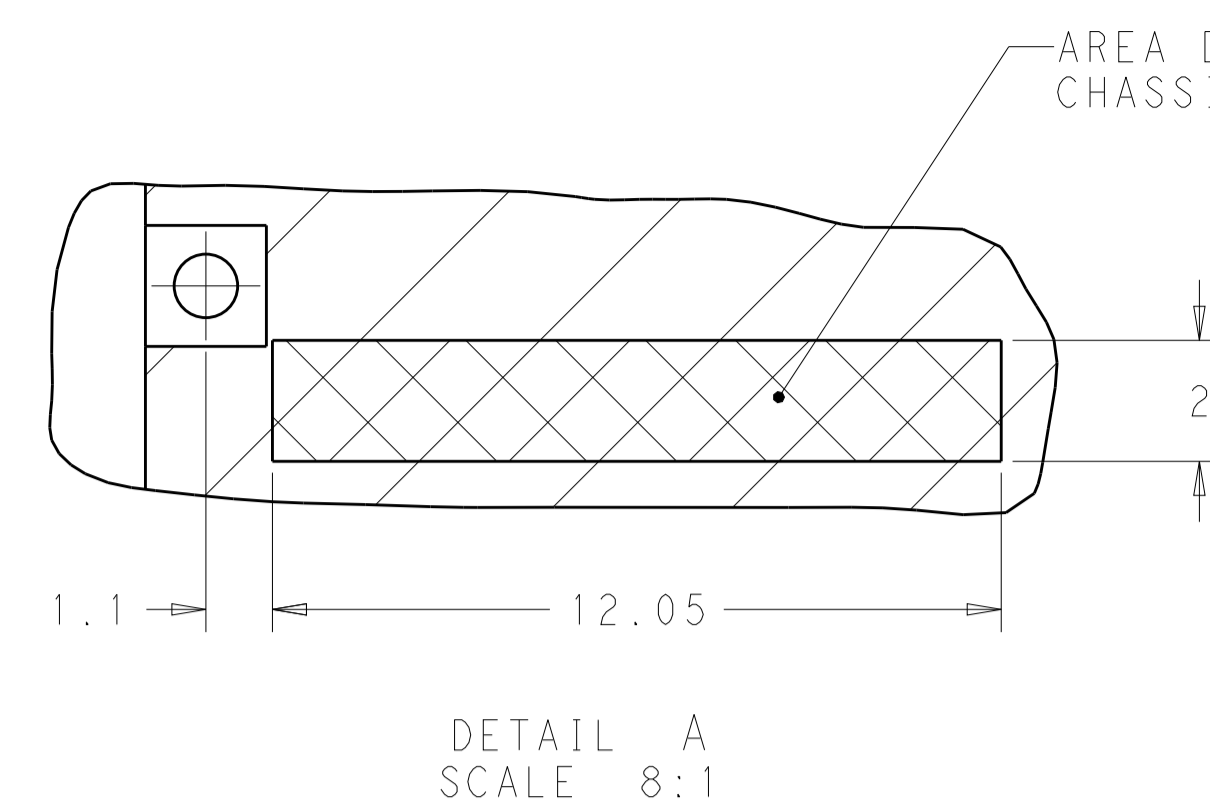
THIS PRINT IS  
**PRELIMINARY**  
UNQUALIFIED PRODUCT  
CONTACT PRODUCT ENGINEERING  
BEFORE USING THIS PRINT

DIMENSIONS:		TOLERANCES UNLESS OTHERWISE SPECIFIED:		MATERIAL:		FINISH:	
mm	0 PLC	±0.1					
	1 PLC	±0.1					
	2 PLC	±0.1					
	3 PLC	±0.1					
	4 PLC	±0.1					
	ANGLES	±0.1					

THIS DRAWING IS A CONTROLLED DOCUMENT.		OWN: B. MATTHEWS 15NOV2011	CHK: M. SCHMITT 15NOV2011	APVD: M. SCHMITT 15NOV2011
PRODUCT SPEC		108-2364		
APPLICATION SPEC		114-13120		
WEIGHT		-		
Customer Drawing		SCALE 4:1 SHEET 5 OF 7 REV B2		

STE TE Connectivity	
NAME: SFP+ ENHANCED 1X6 CAGE ASSEMBLY, PRESS FIT, EXTERNAL EMI SPRINGS WITH HEATSINK	
SIZE: A1	CAGE CODE: 100779
DRAWING NO: 2198235	RESTRICTED TO: -

LOC	DIST	REVISIONS				
GP	00	P	LTH	DATE	OWN	APVD
-	-	SEE SHEET 1	-	-	-	-



THIS DRAWING IS A CONTROLLED DOCUMENT.		OWN: B. MATTHEWS (15NOV2011)		TE Connectivity NAME: SFP+ ENHANCED 1X6 CAGE ASSEMBLY, PRESS FIT, EXTERNAL EMI SPRINGS WITH HEATSINK	
DIMENSIONS: mm		CHK: M. SCHMITT (15NOV2011)			
TOLERANCES UNLESS OTHERWISE SPECIFIED:		APVD: M. SCHMITT (15NOV2011)		PRODUCT SPEC: 108-2364	
0 PLC ±0.1		APPL. SPEC: 114-13120		APPLICATION SPEC:	
1 PLC ±0.1		WEIGHT:		SIZE: 114-13120	
2 PLC ±0.1		FINISH:		CAGE CODE: A100779	
3 PLC ±0.1		MATERIAL:		DRAWING NO: 2198235	
4 PLC ±0.1		MATERIAL:		REV: B2	
ANGLES ±0.1*		CUSTOMER DRAWING		SCALE: 4:1	
MATERIAL:		DATE: 15NOV2011		SHEET: 6 OF 7	