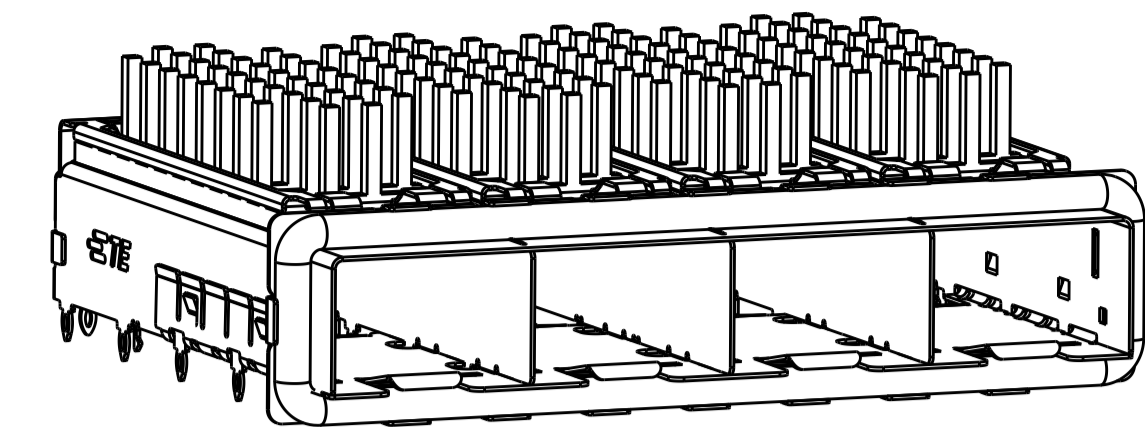
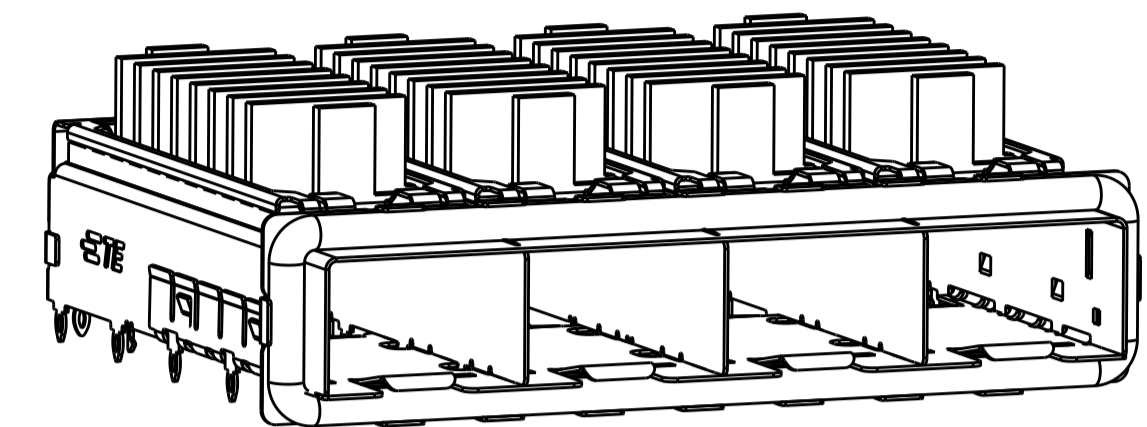


LOC	DIST	REVISIONS					
GP	00	P	LTN	DESCRIPTION	DATE	DWN	APVD
		A		RELEASED PER ECO-12-013192	09OCT2012	BMM	MRS
		A1		RELEASED PER ECO-13-014600	20SEP2013	PP	SH
		A2		REVISED PER ECR-17-016799	01DEC2017	IT	SH



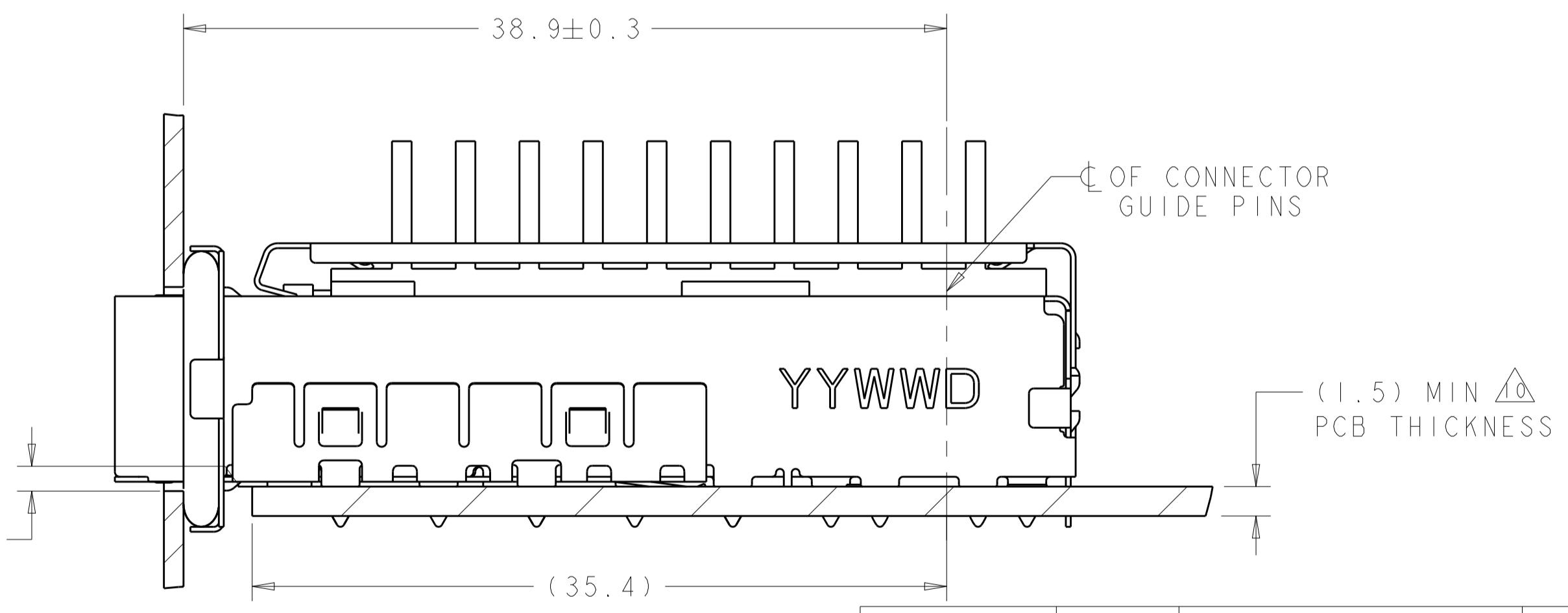
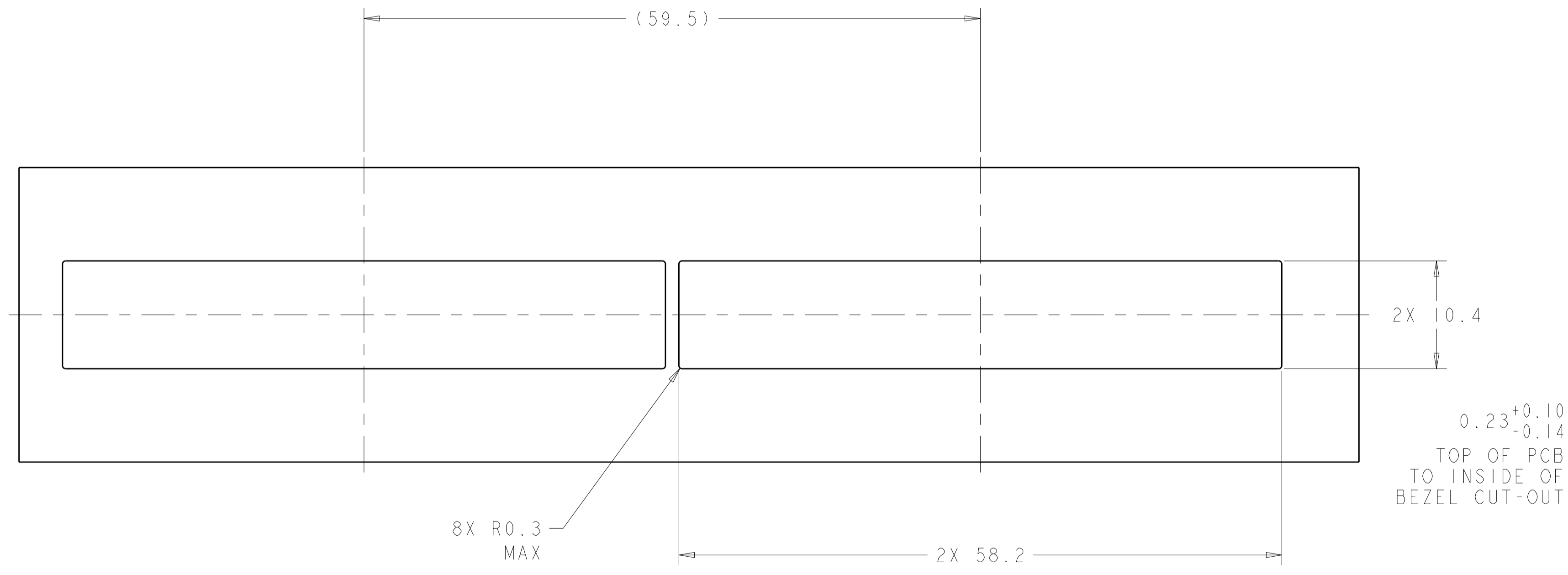
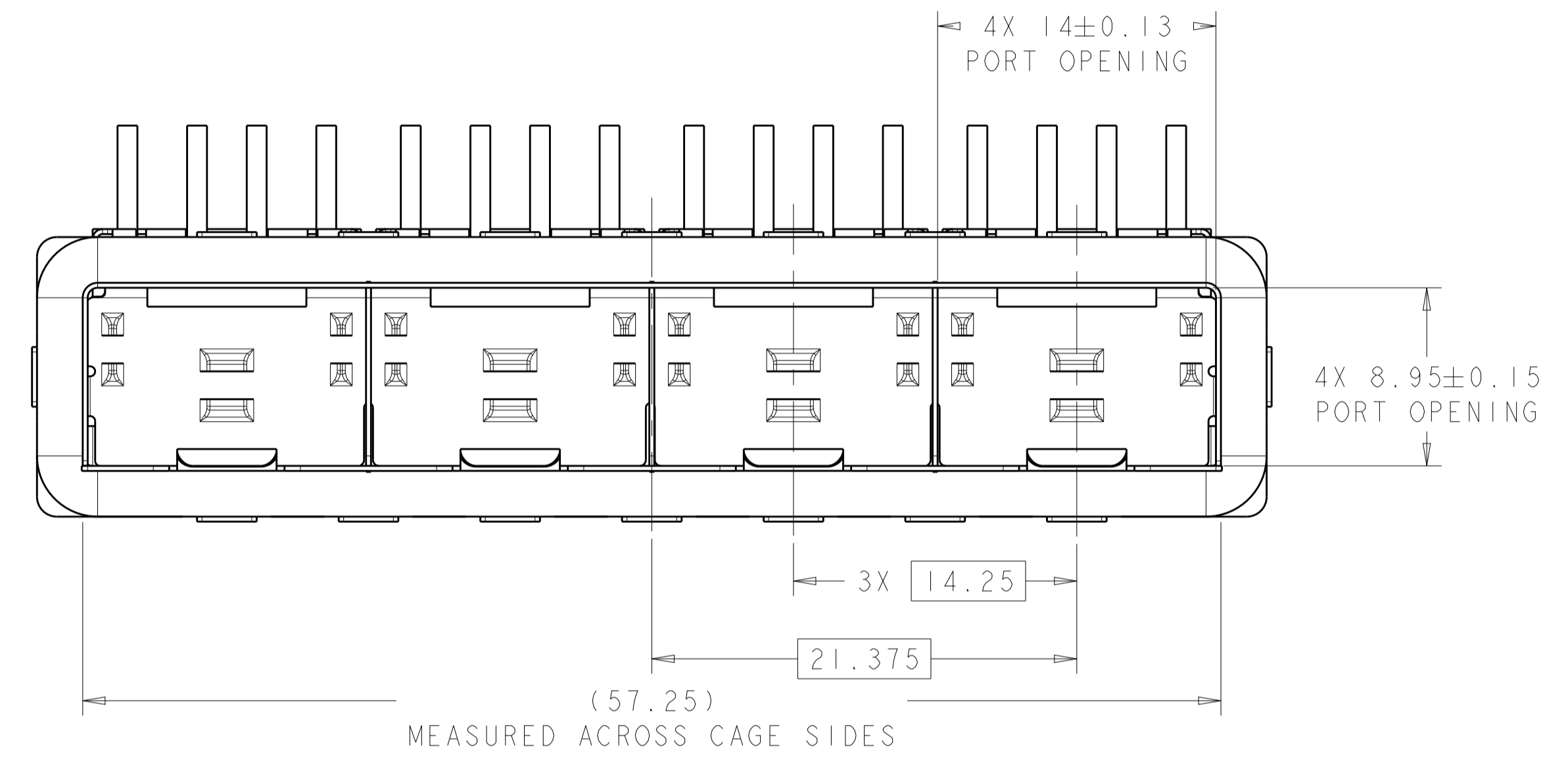
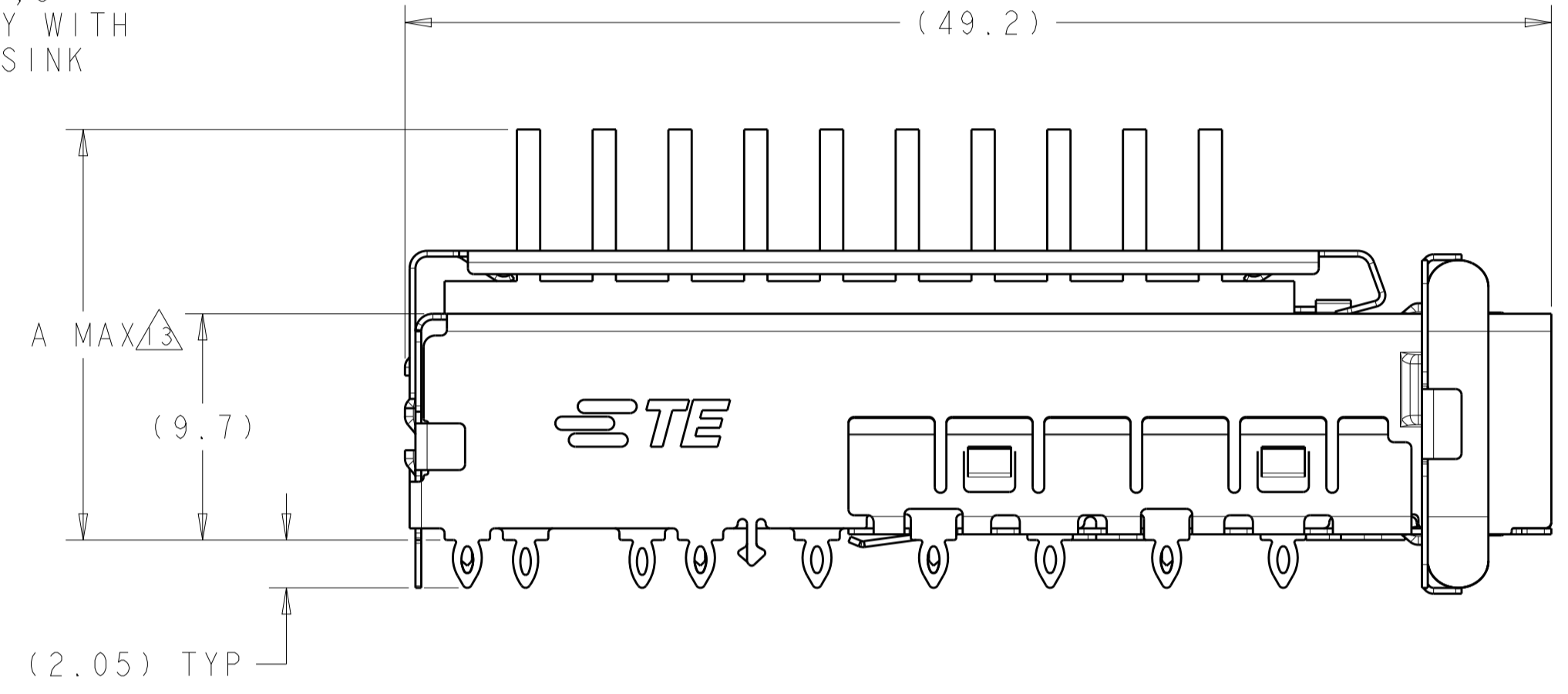
2198241-1,2,3,4
FINISHED ASSEMBLY WITH
PIN TYPE HEAT SINK



2198241-5,6,7,8
FINISHED ASSEMBLY WITH
FIN TYPE HEAT SINK

- 1 MATERIAL:
CAGE ASSEMBLY: 0.25mm THICK NICKEL SILVER ALLOY
GASKET RETENTION PLATE: STAINLESS STEEL
EMI GASKET: PLATED FILLED SILICONE
HEATSINK CLIP: STAINLESS STEEL
HEATSINK: ALUMINUM
- 2 FINISH:
HEATSINK: ELECTROLESS NICKEL
HEATSINK CLIP: PASSIVATE
- 3 PADS AND VIAS CHASSIS GROUND.
- 4 DATUM AND BASIC DIMENSION ESTABLISHED BY CUSTOMER.
- 5 MATES WITH SFP MSA COMPLIANT TRANSCEIVERS.
- 6 INTERPRETATION OF DATUM REFERENCE FRAME IN ACCORDANCE WITH SECT 4.4.1.1 OF ASME Y14.5M-1994.
- 7 REFERENCE APPLICATION SPEC. 114-13120, HOLE A, FOR RECOMMENDED DRILL HOLE DIAMETER AND PLATING THICKNESS.
- 8 REFERENCE APPLICATION SPEC. 114-13120, HOLE B, FOR RECOMMENDED DRILL HOLE DIAMETER AND PLATING THICKNESS.
- 9 HOLE PATTERN REPEATS FOR EACH PORT. SPACING BETWEEN PORTS IS 14.25mm.

- 10 MINIMUM PC BOARD THICKNESS:
SINGLE SIDED: 1.5mm
- 11 CERTAIN MATING TRANSCEIVERS MAY REQUIRE ADDITIONAL PCB THICKNESS THAT WOULD NEED TO BE DETERMINED BY THE CUSTOMER.
- 12 PRODUCT COMPLIES WITH SPECIFICATION SFF-8433 IMPROVED PLUGGABLE FORM FACTOR FOR SFP+ GANGED CAGES.
- 13 DIMENSION APPLIES PRIOR TO INSERTION OF SFP MODULE.



RECOMMENDED BEZEL CUT-OUT
SINGLE SIDED APPLICATIONS
SCALE 3:1

2198241
MOUNTED ON PC BOARD
SHOWN THRU RECOMMENDED BEZEL

FIN TYPE	22.5	NETWORKING, TALL	2198241-8
FIN TYPE	18.1	NETWORKING, SHORT	2198241-7
FIN TYPE	15.5	SAN	2198241-6
FIN TYPE	13.2	PCI	2198241-5
PIN TYPE	22.5	NETWORKING, TALL	2198241-4
PIN TYPE	18.1	NETWORKING, SHORT	2198241-3
PIN TYPE	15.5	SAN	2198241-2
PIN TYPE	13.2	PCI	2198241-1
HEAT SINK	A MAX	APPLICATION	PART NUMBER

THIS DRAWING IS A CONTROLLED DOCUMENT.

DIMENSIONS: mm

TOLERANCES UNLESS OTHERWISE SPECIFIED:

0 PLC	±0.1
1 PLC	±0.1
2 PLC	±0.1
3 PLC	±0.1
4 PLC	±0.1
ANGLES	±1°

MATERIAL:

FINISH:

Customer Drawing

DWN: B. MATTHEWS, 20OCT2011
 CHK: M. SCHMITT, 20OCT2011
 APVD: M. SCHMITT, 20OCT2011

NAME: SFP+ ENHANCED 1X4 CAGE ASSEMBLY, PRESS FIT, EMI GASKET WITH HEATSINK

PRODUCT SPEC: 108-2364
 APPLICATION SPEC: 114-13120

SIZE: A1
 CAGE CODE: 00779
 DRAWING NO: 2198241

RESTRICTED TO: -

SCALE: 6:1 SHEET: 1 OF 2 REV: A2

