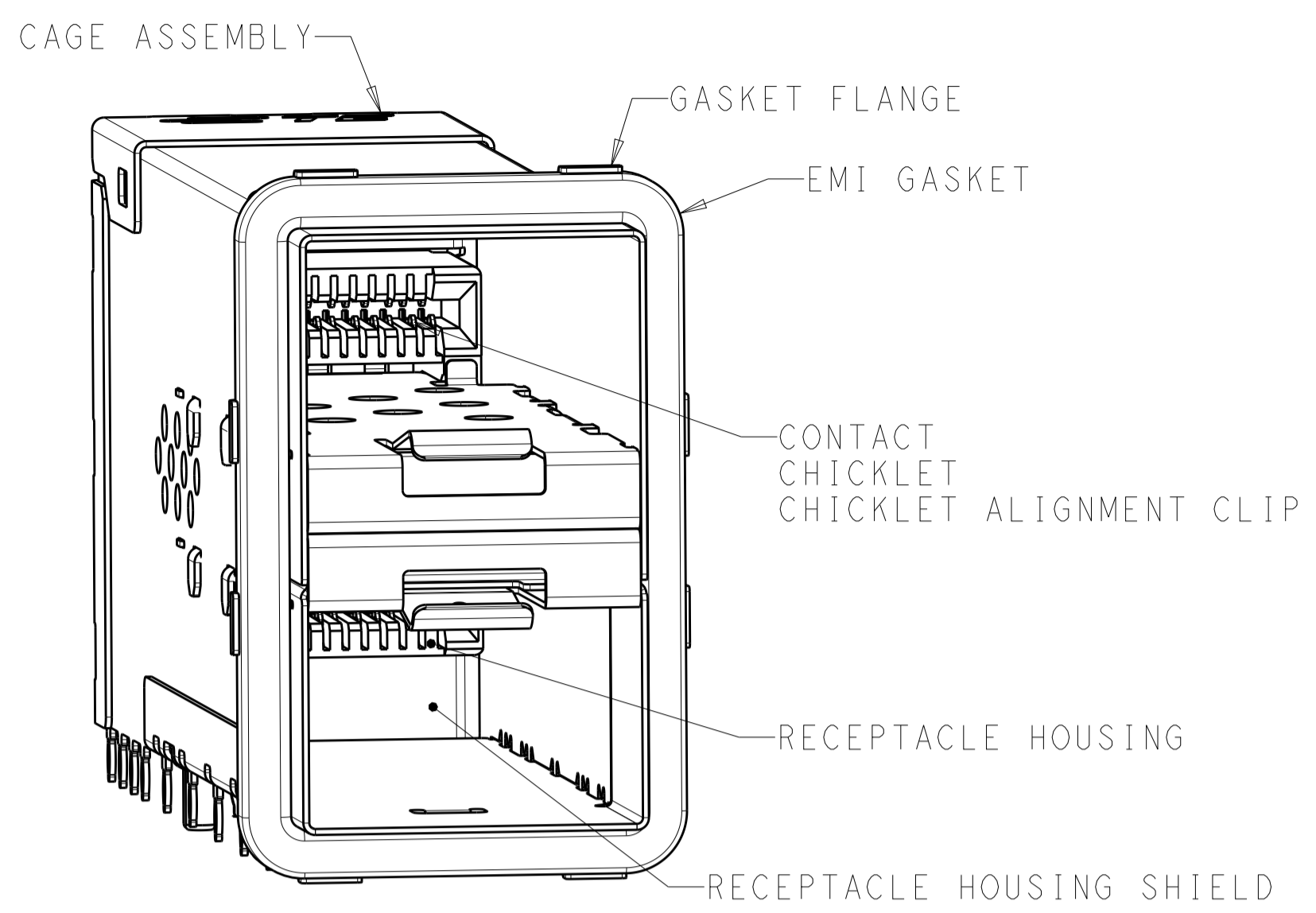
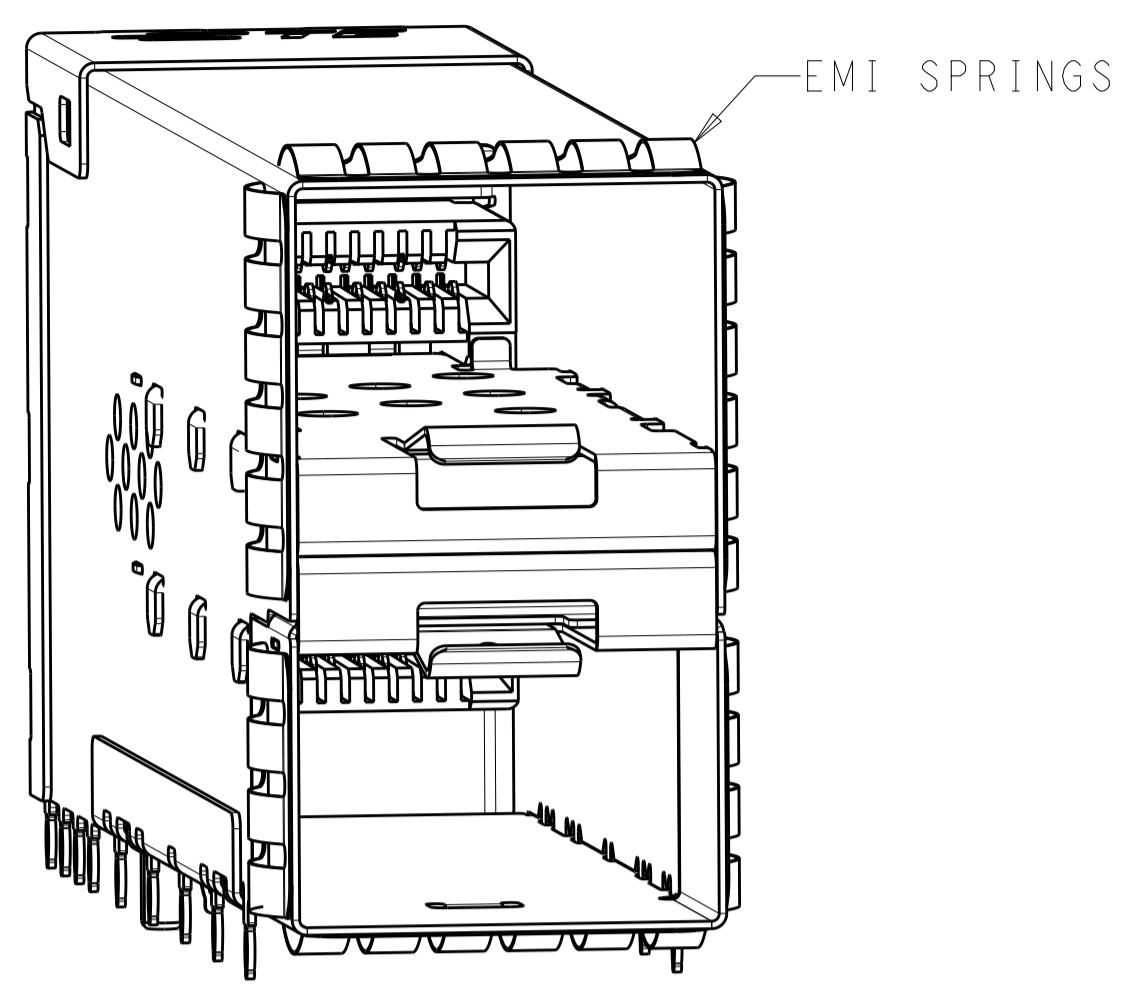


LOC	DIST	REVISIONS					
GP	00	P	LTN	DESCRIPTION	DATE	DWN	APVD
		A		RELEASED PER ECO-14-008758	13JUN2014	CJV	PAR
		B		REVISED PER ECO-15-010819	10AUG2015	PP	SH



2198318-1
 SCALE 4:1



2198318-5
 SCALE 4:1

- MATERIALS:
 CAGE ASSEMBLY - NICKEL-SILVER ALLOY PER ASTM B 122
 CONNECTOR HOUSING - LCP, BLACK, UL 94V-0 RATED
 CONNECTOR HOUSING SHIELD - COPPER ALLOY
 CHICKLET - LCP, BLACK, UL 94V-0 RATED
 CHICKLET ALIGNMENT CLIP - PBT
 CONTACT - COPPER ALLOY
 EMI GASKET - ELASTOMERIC
 GASKET FLANGE - STAINLESS STEEL
 EMI SPRINGS - PHOSPHOR BRONZE PER ASTM B 103,
 0.8µm MIN TIN PER ASTM B 545
 LIGHT PIPE - POLYCARBONATE
 LIGHT PIPE HOUSING - ZINC ALLOY

- CONTACT FINISH:
 CONFORMS TO THE REQUIREMENTS OF PRODUCT SPECIFICATION 108-2481, BASED ON EIA/ECA-364-1000.01A, (CONTROLLED ENVIRONMENT APPLICATIONS) ON MATING INTERFACE, TIN ON NEEDLE EYE

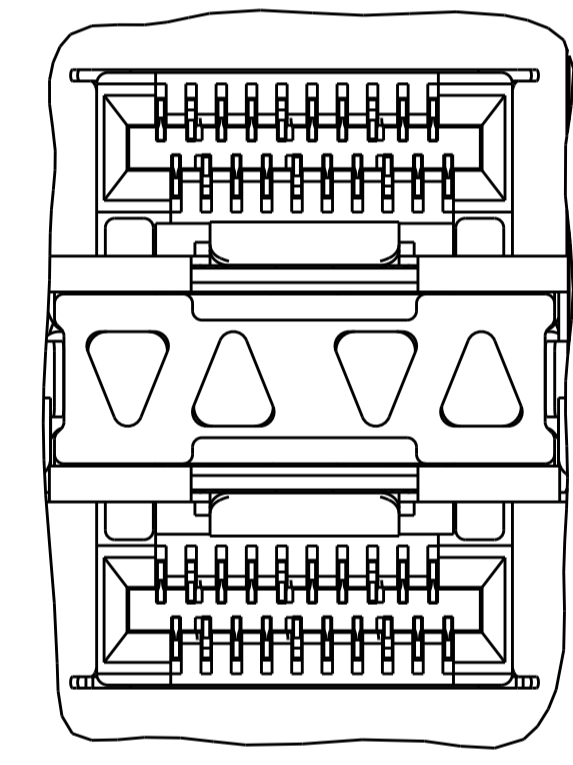
- PCB MINIMUM THICKNESS = 1.5mm

- 4 FOR HOLE SIZE AND PLATINGS,
 SEE APPLICATION SPECIFICATION 114-13319

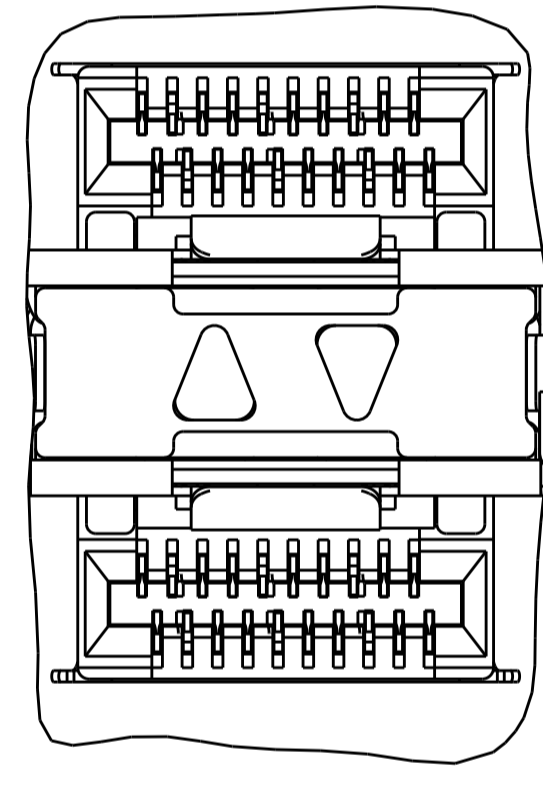
- 5 LIGHT PIPE PAD LAYOUT IS FOR 0805 LOW PROFILE
 LED PACKAGE WITH A HEIGHT OF 0.8mm

- 6 DIMENSIONS APPLY FOR EMI SPRINGS ONLY

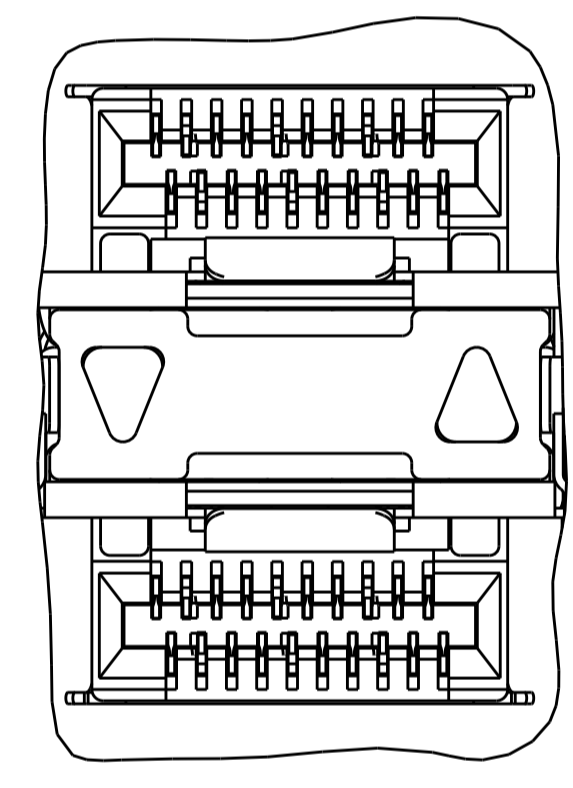
- 7 THE ENTIRE AREA OF THE CONNECTOR FOOTPRINT, INDICATED BY THE DASHED LINE, TO BE CONSIDERED THE KEEPOUT AREA FOR COMPONENTS AND SIGNAL TRACES, TOP SIDE ONLY, TOP SIDE TRACES ALLOWED WITHIN CONNECTOR HOLE PATTERN



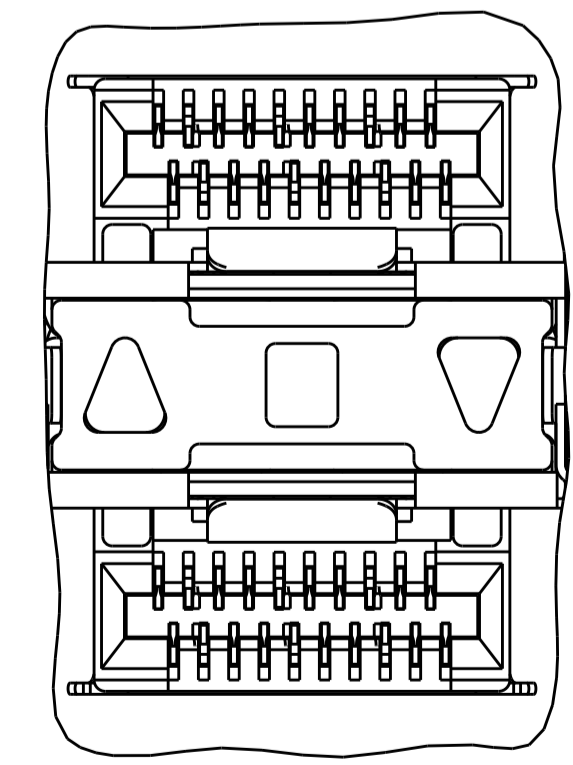
INNER/OUTER LIGHT PIPES
 2198318-2, 2198318-6
 SCALE 5:1



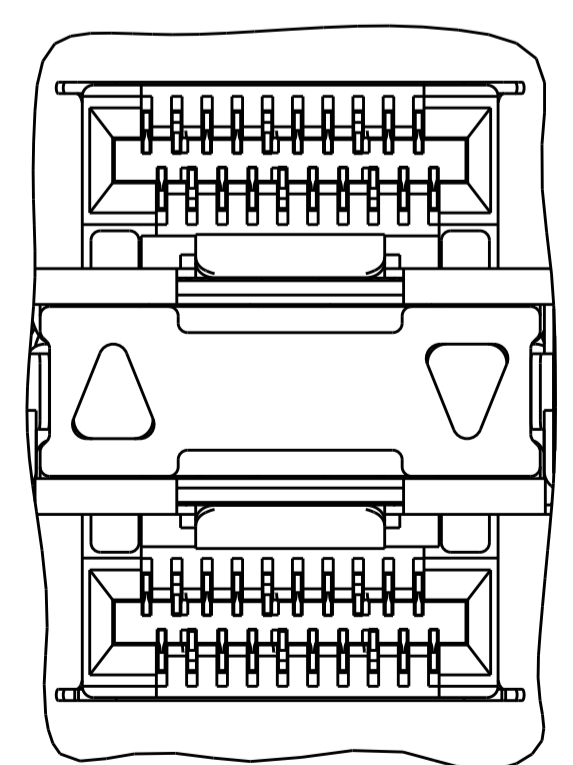
INNER LIGHT PIPES
 2198318-3, 2198318-7
 SCALE 5:1



OUTER LIGHT PIPES
 2198318-4, 2198318-8
 SCALE 5:1



CENTER/REVERSED OUTER LIGHT PIPES
 1-2198318-7, 1-2198318-9
 SCALE 5:1



REVERSED OUTER LIGHT PIPES
 1-2198318-8, 2-2198318-0
 SCALE 5:1

16.75	EMI SPRINGS	REVERSED OUTER	2-2198318-0
		CENTER/REVERSED OUTER	1-2198318-9
19.5	EMI GASKET	REVERSED OUTER	1-2198318-8
		CENTER/REVERSED OUTER	1-2198318-7
16.75	EMI SPRINGS	OUTER	2198318-8
		INNER	2198318-7
		INNER/OUTER	2198318-6
		NONE	2198318-5
19.5	EMI GASKET	OUTER	2198318-4
		INNER	2198318-3
		INNER/OUTER	2198318-2
		NONE	2198318-1
(E)	CAGE TYPE	LIGHT PIPE CONFIGURATION	PART NUMBER

THIS DRAWING IS A CONTROLLED DOCUMENT.

OWN: M. E. CONNER 18OCT2011
 CHG: M. D. MORRISON 18OCT2011
 APVD: M. D. MORRISON 18OCT2011

TE Connectivity

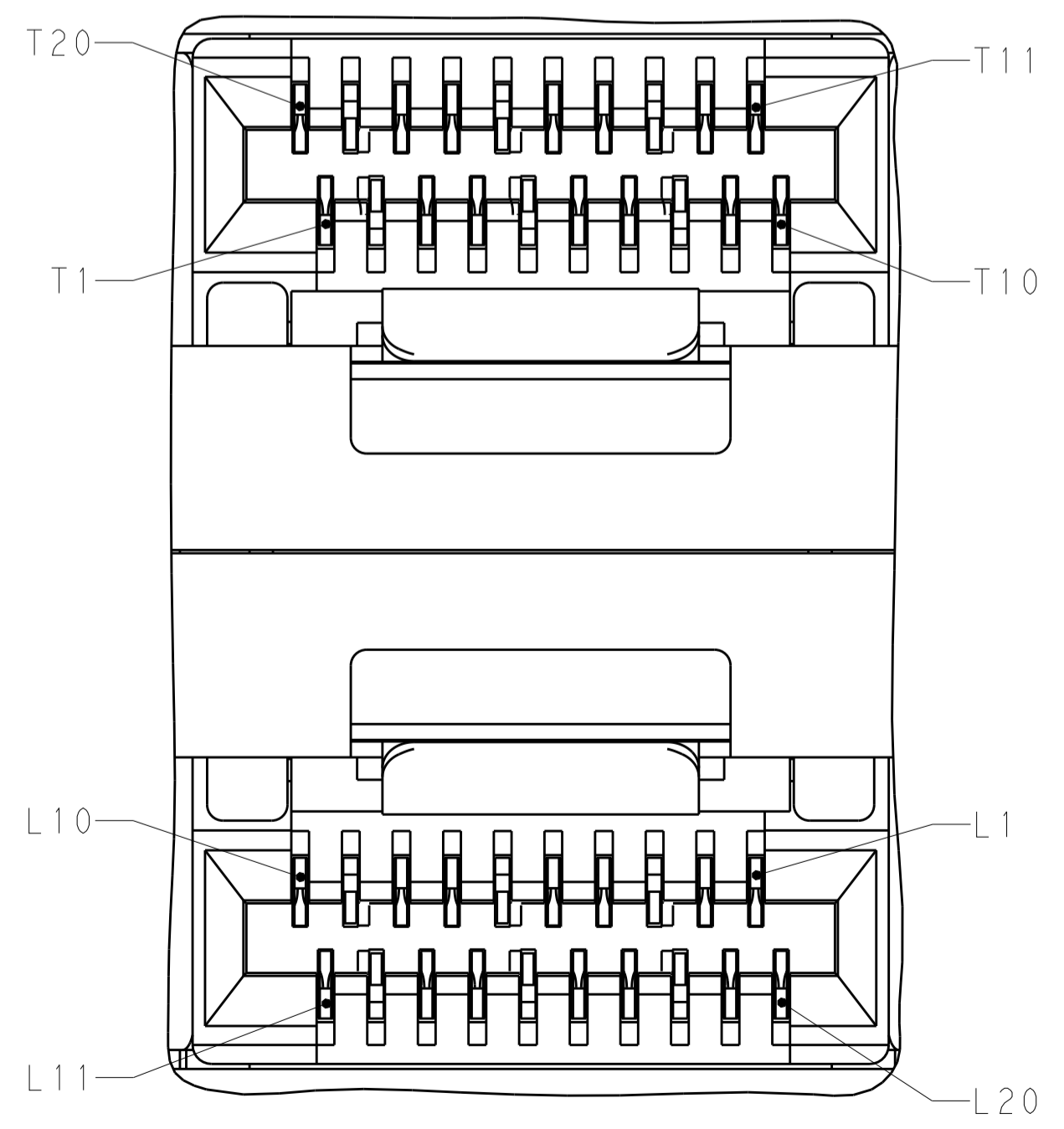
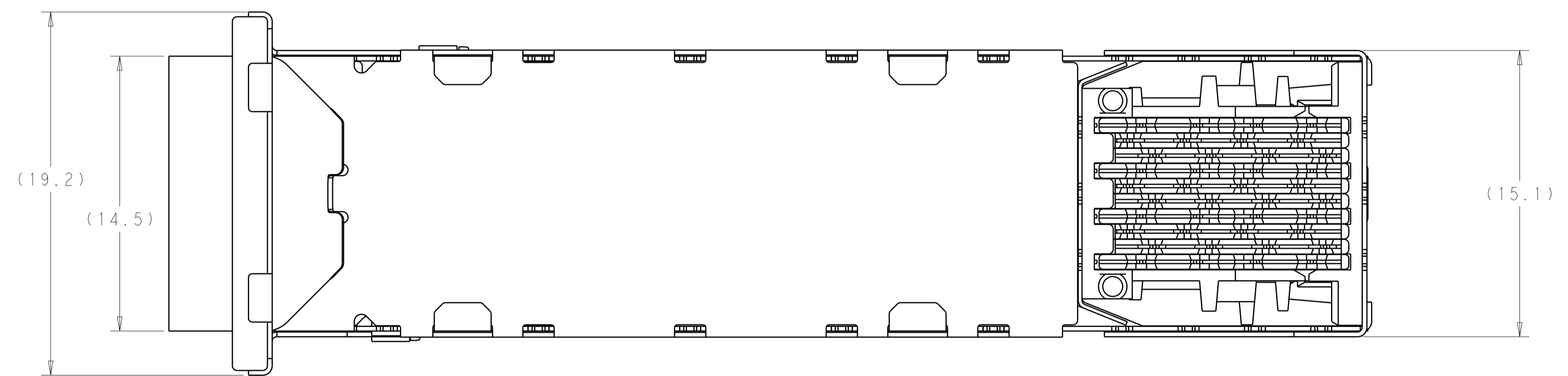
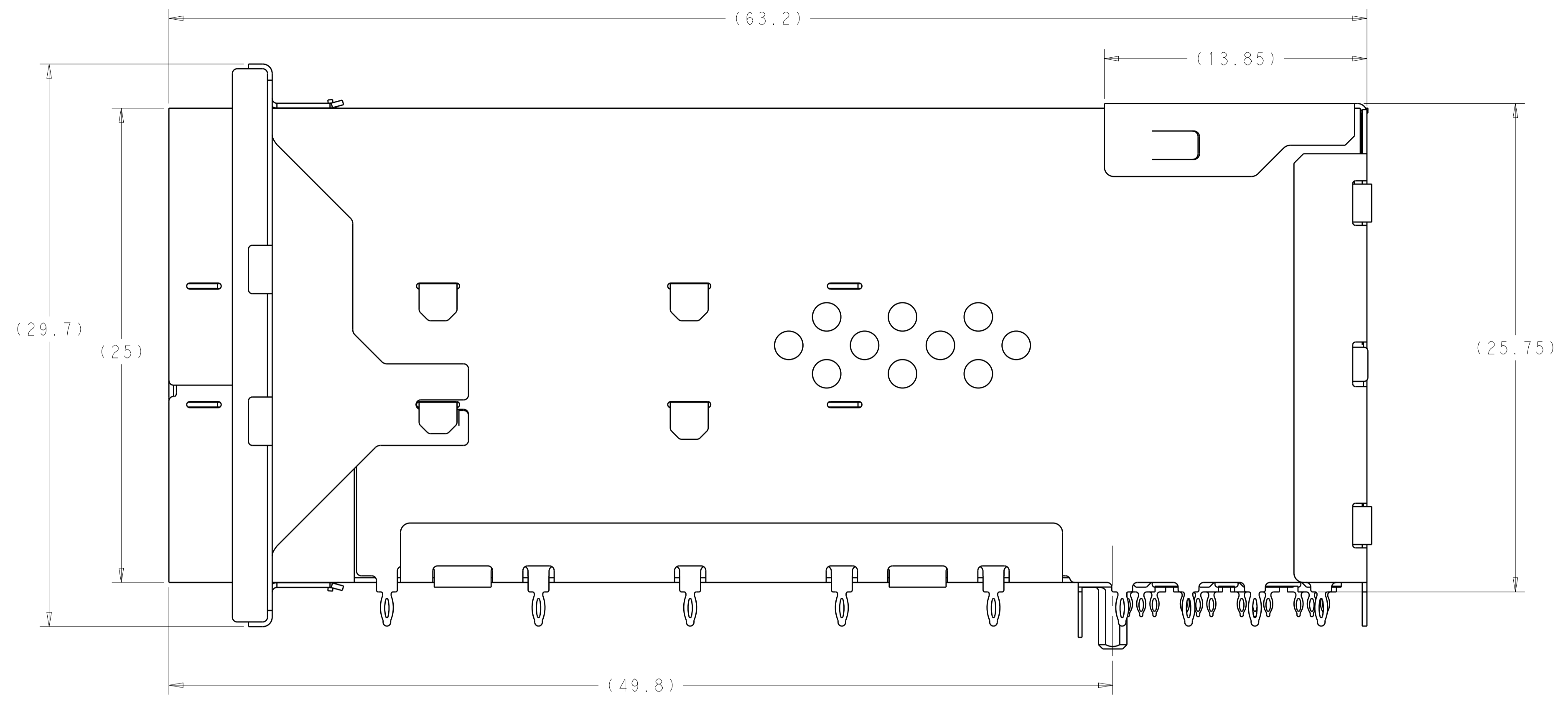
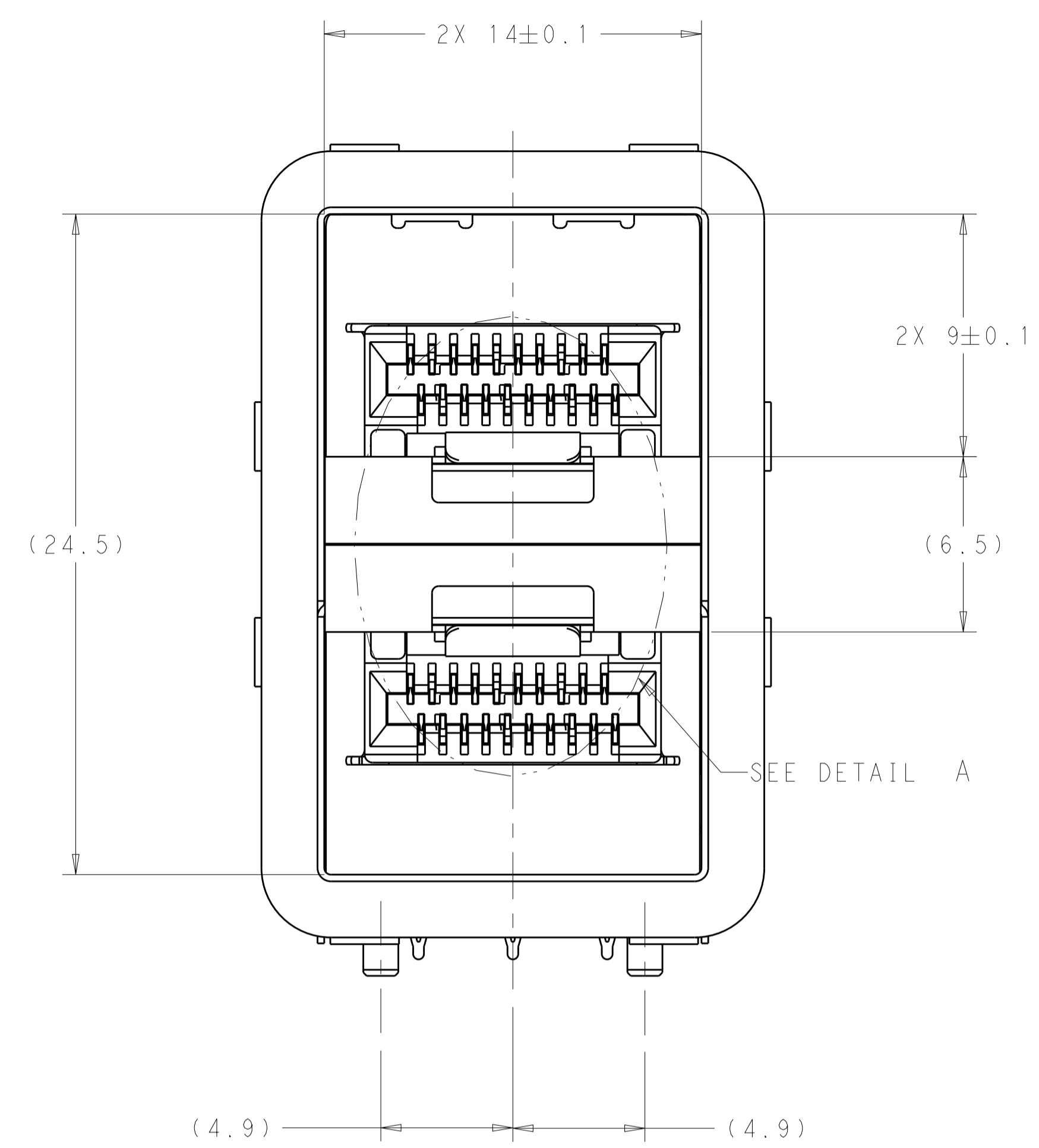
RECEPTACLE ASSEMBLY, 2X1, STACKED, zSFP+

SIZE: CAGE CODE DRAWING NO: A100779C=2198318
 RESTRICTED TO: -

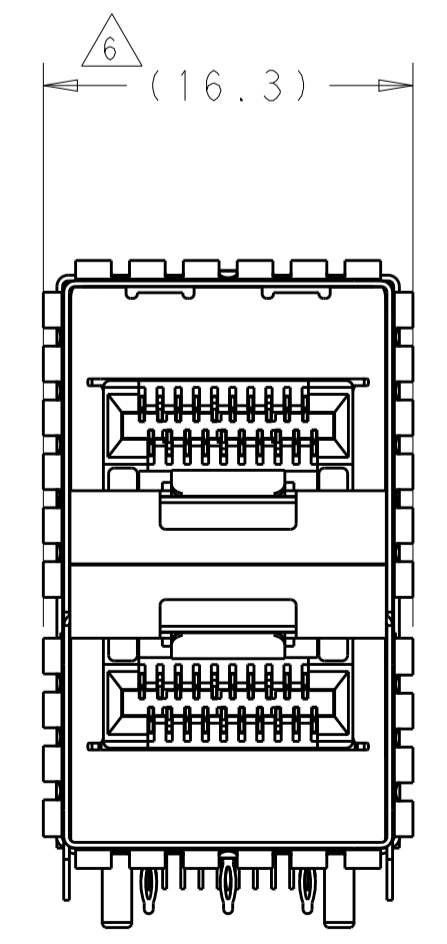
MATERIAL: SEE NOTES
 FINISH: SEE NOTES
 WEIGHT: -
 CUSTOMER DRAWING

SCALE: 4:1 SHEET 1 OF 4 REV B

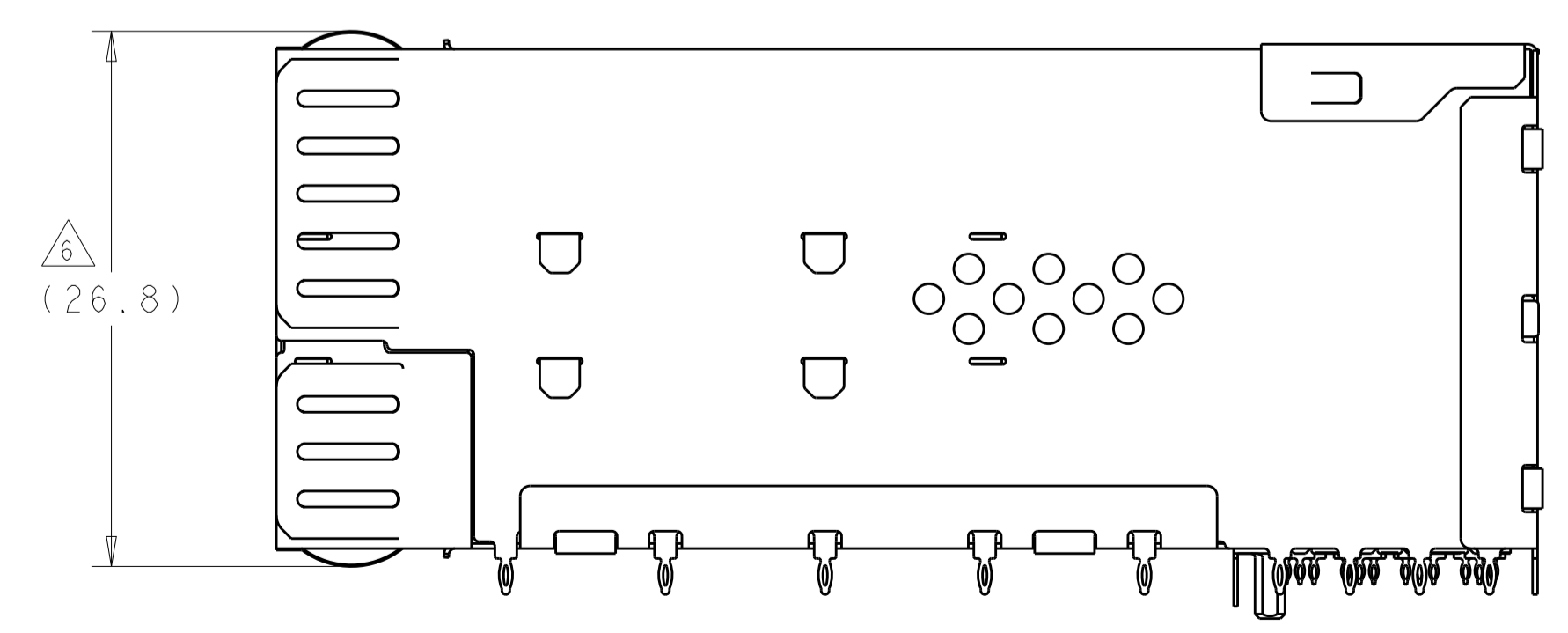
LOC	DIST	REVISIONS			
GP	00	REV	DATE	BY	APPV
		-	SEE SHEET 1	-	-



DETAIL A
 2 PLACES
 SCALE 10:1

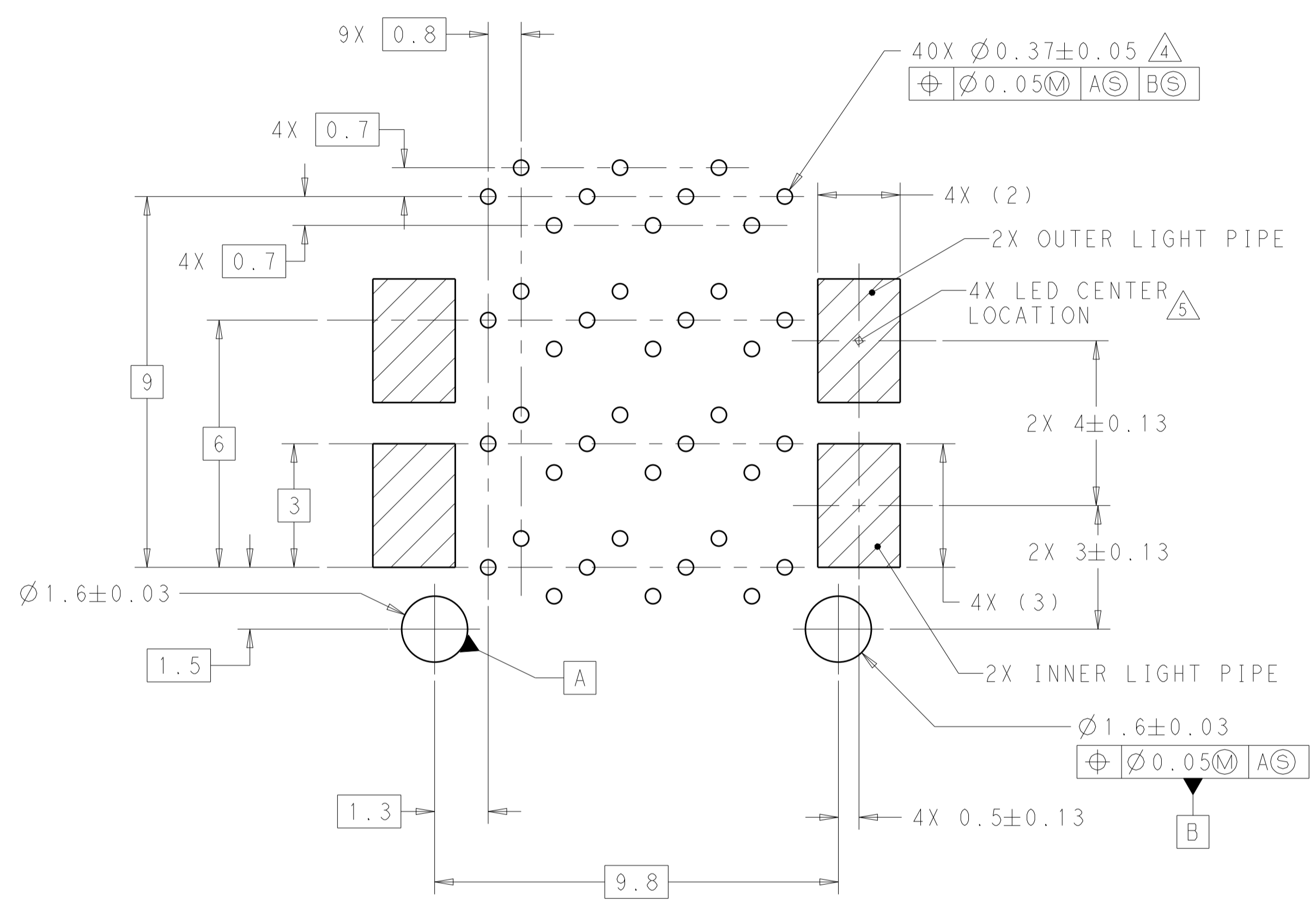
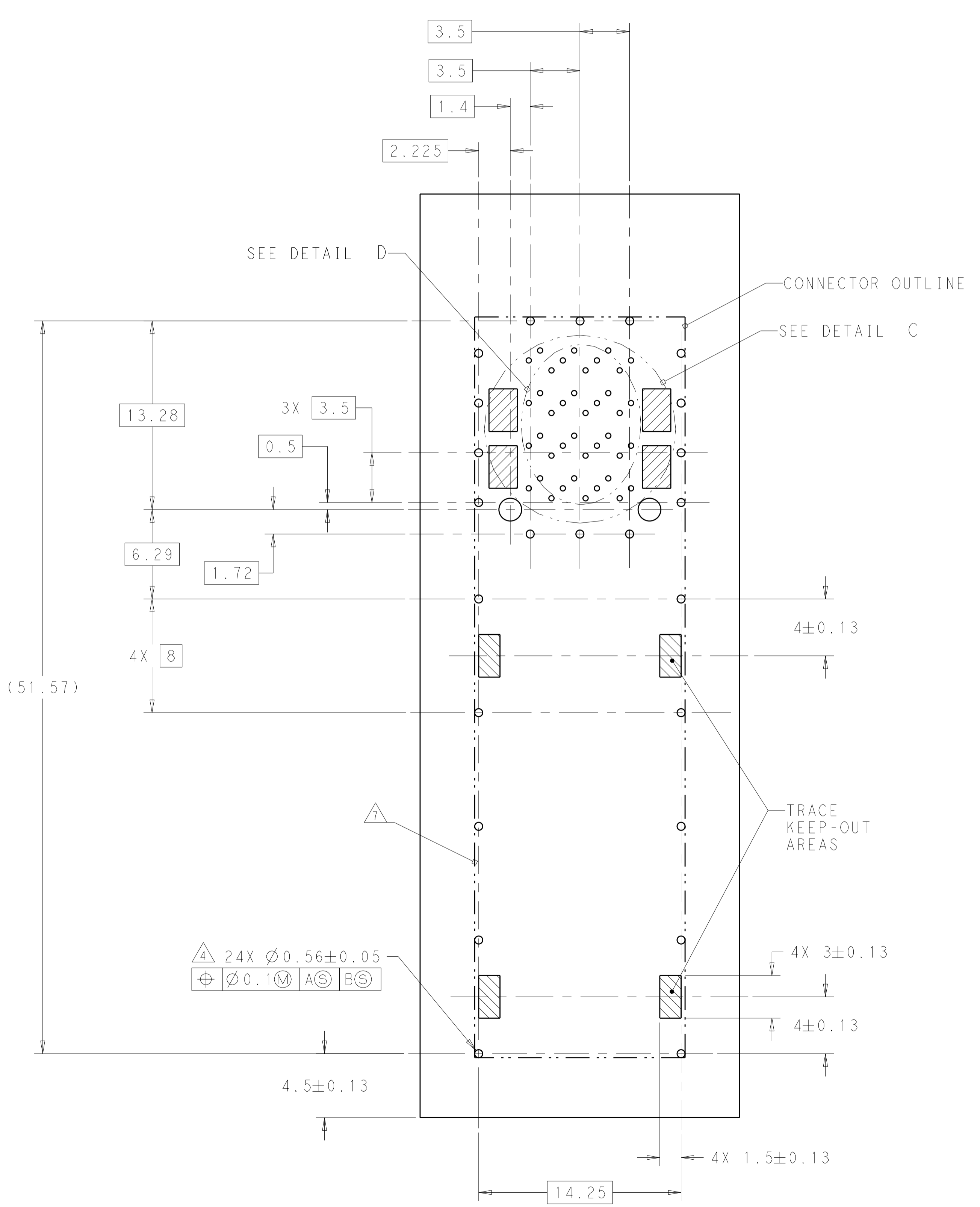


2198318-5 THRU 2198318-8, 1-2198318-9, 2-2198318-0
 EMI SPRINGS ONLY
 SCALE 3:1



THIS DRAWING IS A CONTROLLED DOCUMENT.		OWN: M.E. CONNER 17OCT2011	TE Connectivity
DIMENSIONS: mm		CHK: M.D. MORRISON 18OCT2011	
TOLERANCES UNLESS OTHERWISE SPECIFIED:		APV: M.D. MORRISON 18OCT2011	NAME: RECEPTACLE ASSEMBLY, 2X1, STACKED, zSFP+
0 PLC ± 1 PLC ± 2 PLC ± 3 PLC ± 4 PLC ± ANGLES ±		PRODUCT SPEC: 108-2481	SIZE: A100779
MATERIAL: SEE NOTES		APPLICATION SPEC: 114-13319	CAGE CODE: 2198318
FINISH: SEE NOTES		WEIGHT: -	RESTRICTED TO: -
		Customer Drawing	SCALE: 6:1 SHEET 2 OF 4 REV B

LOC	DIST	REVISIONS			
GP	00	REV	DATE	BY	APPD
-	-	SEE SHEET 1	-	-	-



THIS DRAWING IS A CONTROLLED DOCUMENT.		OWN: M.E. CONNER 17OCT2011	TE Connectivity
DIMENSIONS: mm		CHK: M.D. MORRISON 18OCT2011	
TOLERANCES UNLESS OTHERWISE SPECIFIED:		APVD: M.D. MORRISON 18OCT2011	NAME: RECEPTACLE ASSEMBLY, 2X1, STACKED, zSFP+
0 PLC ±	1 PLC ±	PRODUCT SPEC 108-2481	SIZE: CAGE CODE DRAWING NO. RESTRICTED TO
2 PLC ±	3 PLC ±	APPLICATION SPEC 114-13319	A100779C=2198318
4 PLC ±	ANGLES ±	WEIGHT	SCALE 4:1 SHEET 3 OF 4 REV B
MATERIAL: SEE NOTES	FINISH: SEE NOTES	Customer Drawing	