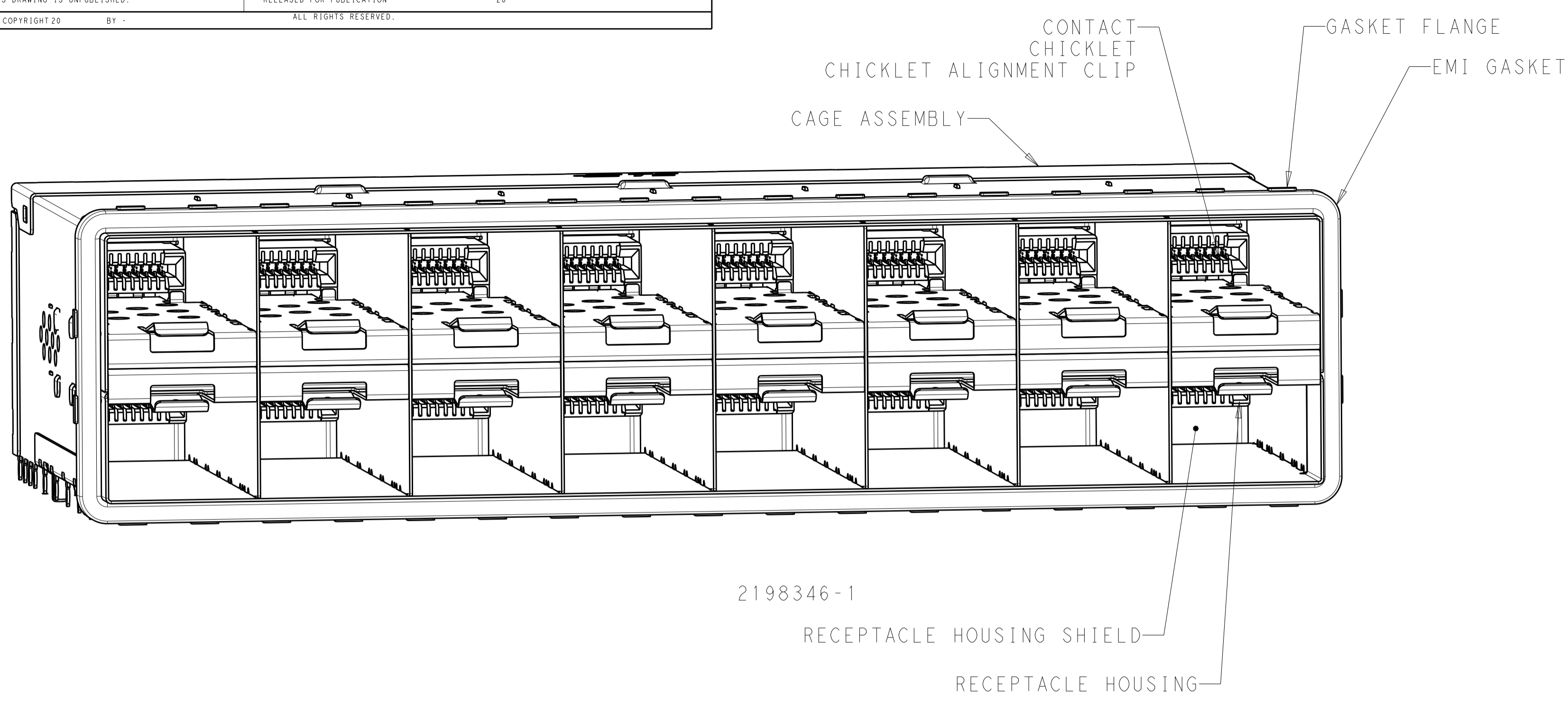


LOC		DIST		REVISIONS			
GP	00	P	LTN	DESCRIPTION	DATE	DMN	APVD
		C		REVISED PER ECO-20-014521	13OCT2020	JY	SH



- MATERIALS:
 CAGE ASSEMBLY - NICKEL-SILVER ALLOY PER ASTM B 122
 CONNECTOR HOUSING - LCP, BLACK, UL 94V-0 RATED
 CONNECTOR HOUSING SHIELD - COPPER ALLOY
 CHICKLET - LCP, BLACK, UL 94V-0 RATED
 CHICKLET ALIGNMENT CLIP - PBT
 CONTACT - COPPER ALLOY
 EMI GASKET - ELASTOMERIC
 GASKET FLANGE - STAINLESS STEEL
 EMI SPRINGS - PHOSPHOR BRONZE PER ASTM B 103,
 0.8µm MIN TIN PER ASTM B 545
 LIGHT PIPE - POLYCARBONATE
 LIGHT PIPE HOUSING - ZINC ALLOY

- CONTACT FINISH:
 0.76µm MIN GOLD PER ASTM B 844 AT MATING INTERFACE,
 1.25µm MIN MATTE TIN PER ASTM B 545 AT PCB INTERFACE
 ALLOVER 2.54µm MIN NICKEL PER QQ-N-290.

- PCB MINIMUM THICKNESS = 1.5mm

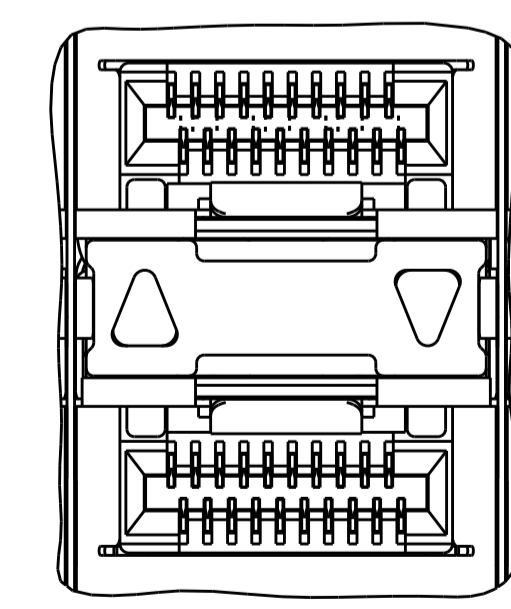
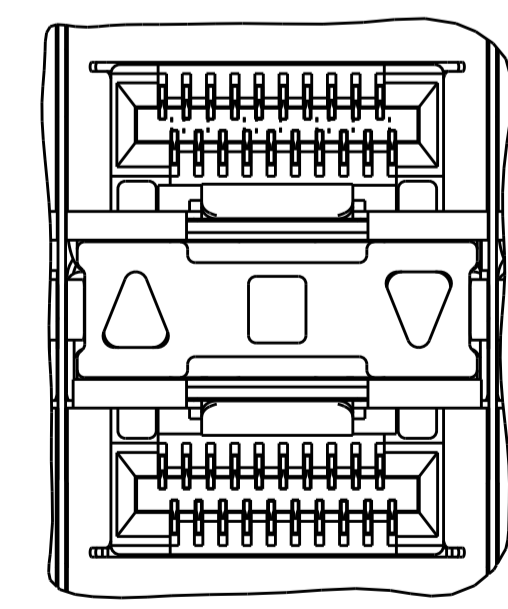
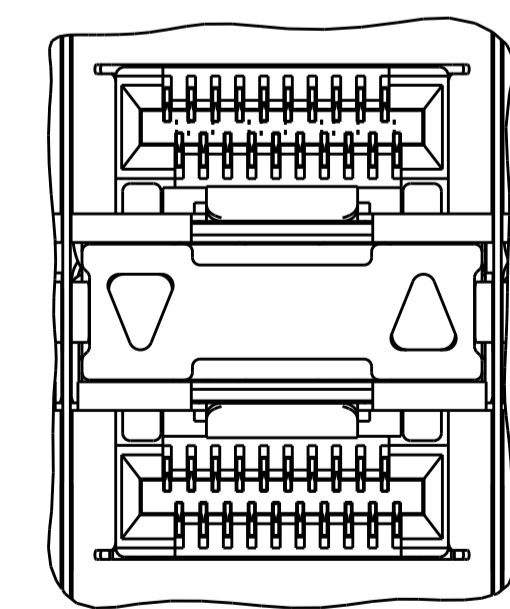
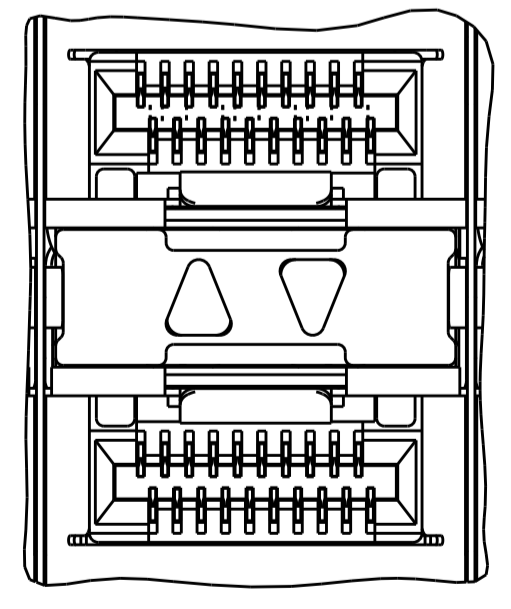
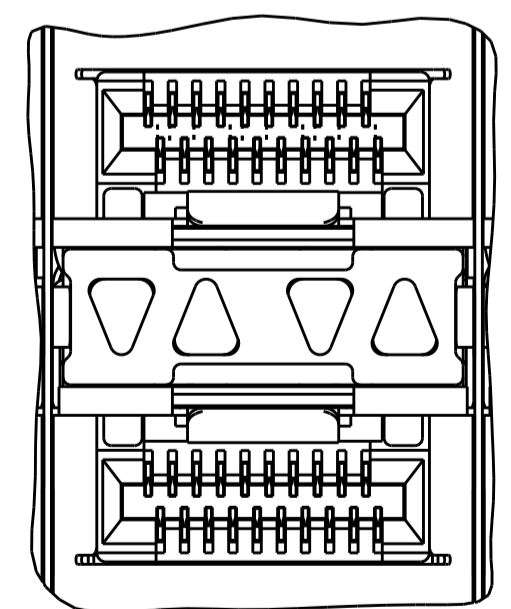
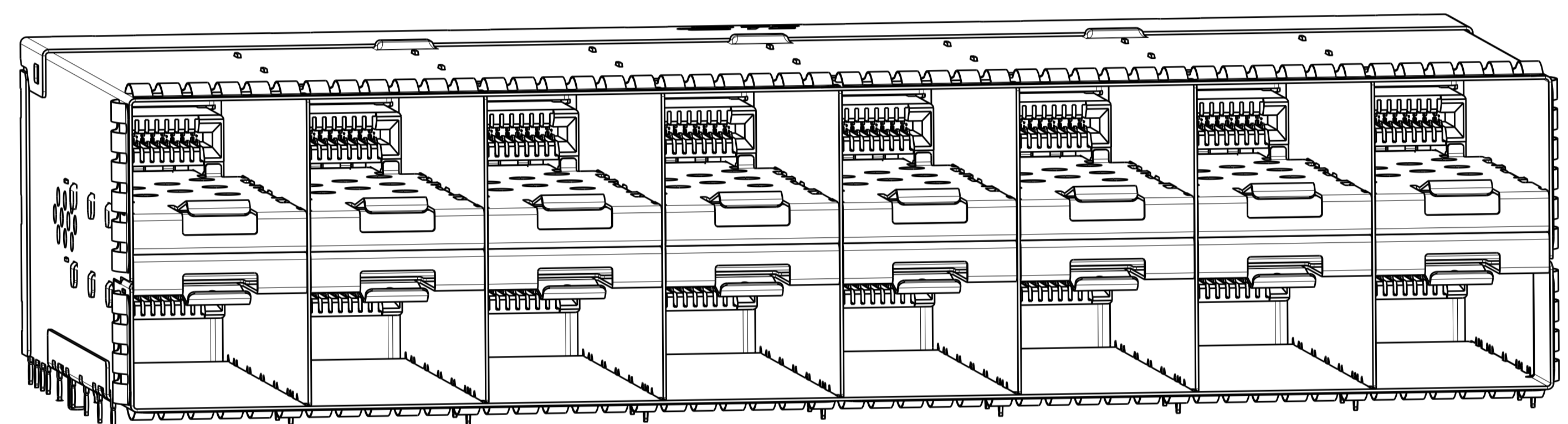
△ FOR HOLE SIZE AND PLATINGS,
 SEE APPLICATION SPECIFICATION 114-13319

△ LIGHT PIPE PAD LAYOUT IS FOR 0805 LOW PROFILE
 LED PACKAGE WITH A HEIGHT OF 0.8mm

△ DIMENSIONS APPLY FOR EMI SPRINGS ONLY

△ THE ENTIRE AREA OF THE CONNECTOR FOOTPRINT,
 INDICATED BY THE DASHED LINE, TO BE CONSIDERED
 THE KEEPOUT AREA FOR COMPONENTS AND SIGNAL TRACES,
 TOP SIDE ONLY, TOP SIDE TRACES ALLOWED WITHIN
 CONNECTOR HOLE PATTERN

△ THE DIMENSIONS APPLY TO 4-2198346-0 ONLY.



INNER/OUTER LIGHT PIPE
 2198346-2, 2198346-6
 SCALE 4:1

INNER LIGHT PIPE
 2198346-3, 2198346-7
 4-2198346-0
 SCALE 4:1

OUTER LIGHT PIPES
 2198346-4, 2198346-8
 SCALE 4:1

CENTER/REVERSED OUTER LIGHT PIPES
 1-2198346-7, 1-2198346-9
 SCALE 4:1

REVERSED OUTER LIGHT PIPES
 1-2198346-8, 2-2198346-0
 SCALE 4:1

116.5	THERMAL HOLE TOP SURFACE	INNER	4-2198346-0
116.5	EMI SPRINGS, TAPE AIRFLOW ENHANCE TYPE	NONE	3-2198346-3
119.25	EMI GASKET LOW PROFILE FLANGE	INNER	3-2198346-2
116.5	EMI SPRINGS AIRFLOW ENHANCE TYPE	NONE	3-2198346-1
119.25	EMI GASKET AIRFLOW ENHANCE TYPE	NONE	3-2198346-0
116.5	EMI SPRINGS	REVERSED OUTER	2-2198346-0
		CENTER/REVERSED OUTER	1-2198346-9
119.25	EMI GASKET	REVERSED OUTER	1-2198346-8
		CENTER/REVERSED OUTER	1-2198346-7
116.5	EMI SPRING WITH NICKEL PLATING ONLY	OUTER	1-2198346-2
		INNER	1-2198346-1
		INNER/OUTER	1-2198346-0
116.5	EMI SPRINGS	NONE	2198346-9
		OUTER	2198346-8
		INNER	2198346-7
119.25	EMI GASKET	INNER/OUTER	2198346-6
		NONE	2198346-5
		OUTER	2198346-4
(E)	CAGE TYPE	INNER	2198346-3
		INNER/OUTER	2198346-2
		NONE	2198346-1
		LIGHT PIPE CONFIGURATION	PART NUMBER

THIS DRAWING IS A CONTROLLED DOCUMENT.

DMN: M.E. CONNER 09DEC2011
 CHN: M.D. MORRISON 13DEC2011
 APVD: M.D. MORRISON 13DEC2011

NAME: RECEPTACLE ASSEMBLY, 2X8, STACKED, zSFP+

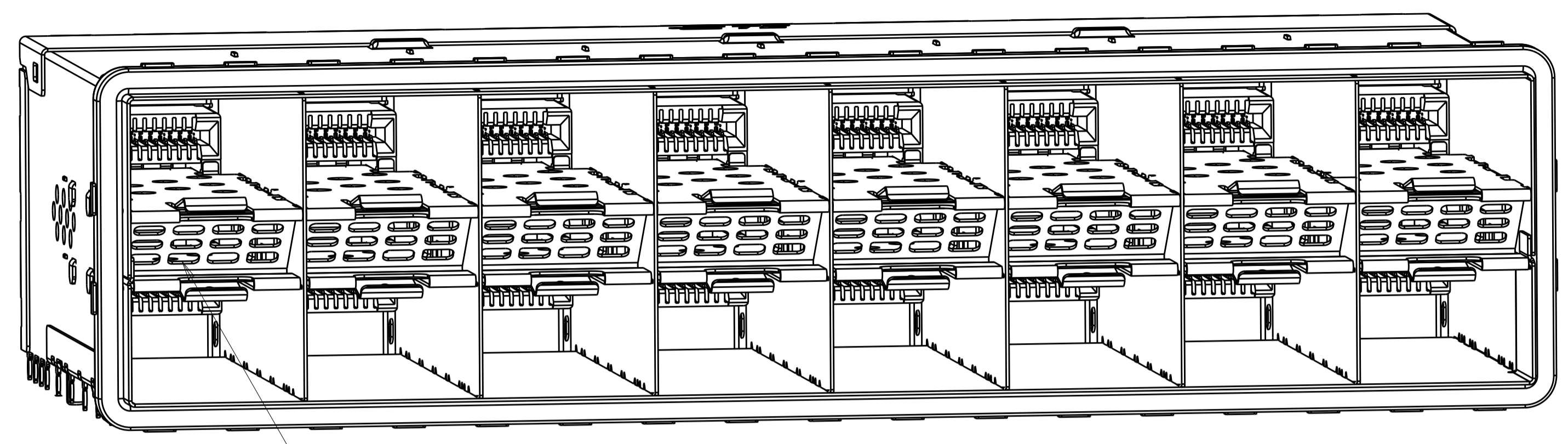
SIZE: A1 CAGE CODE: 100779 DRAWING NO: 2198346

SCALE: 3:1 SHEET 1 OF 7 REV C

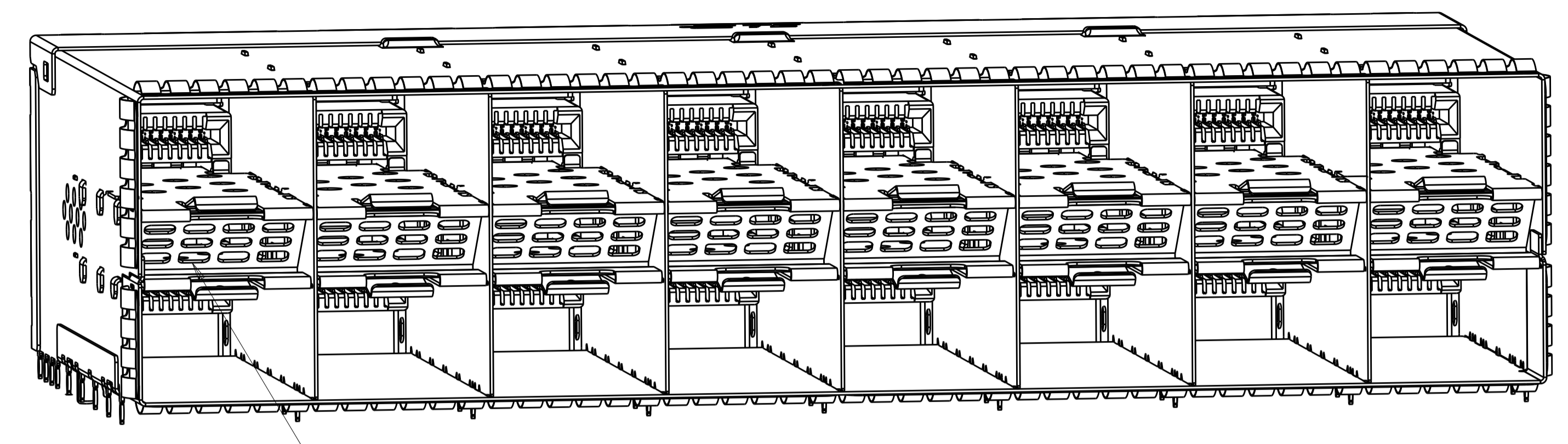
Customer Drawing

LOC		DIST		REVISIONS			
P.	LTN	DESCRIPTION	DATE	OWN	APVD		
-	-	SEE SHEET 1	-	-	-	-	-

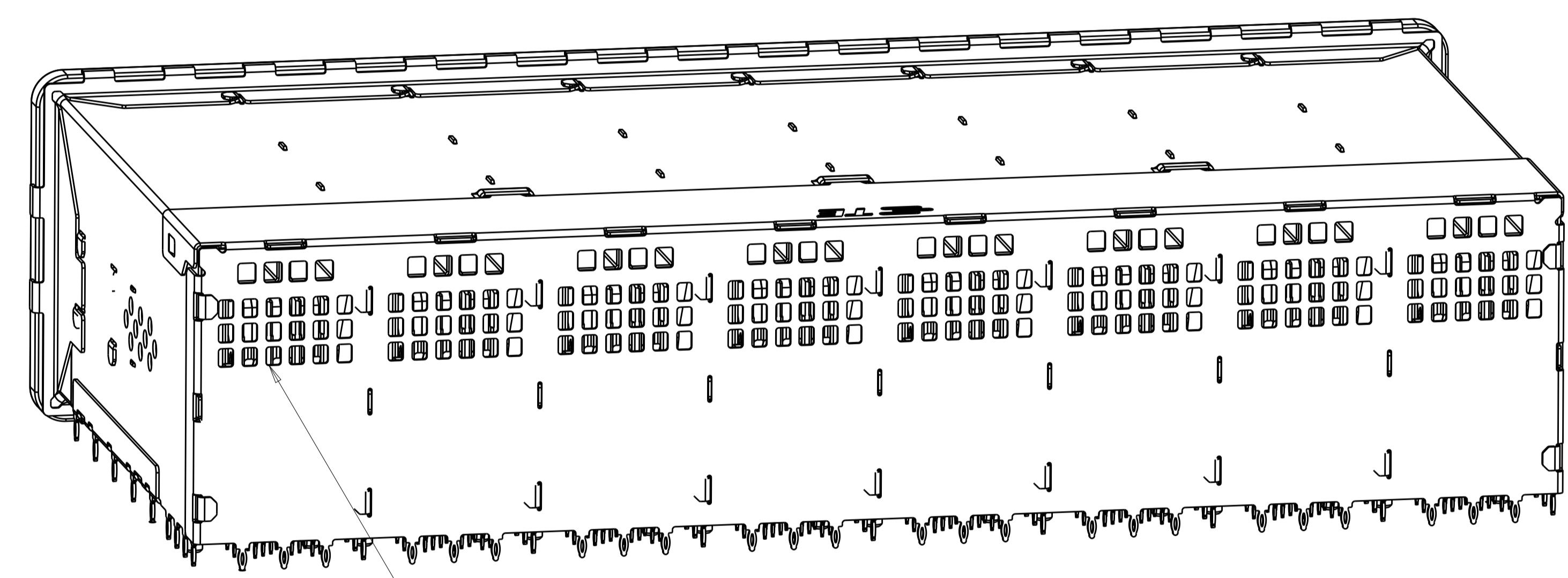
AIRFLOW ENHANCE TYPE



AIR VENTS

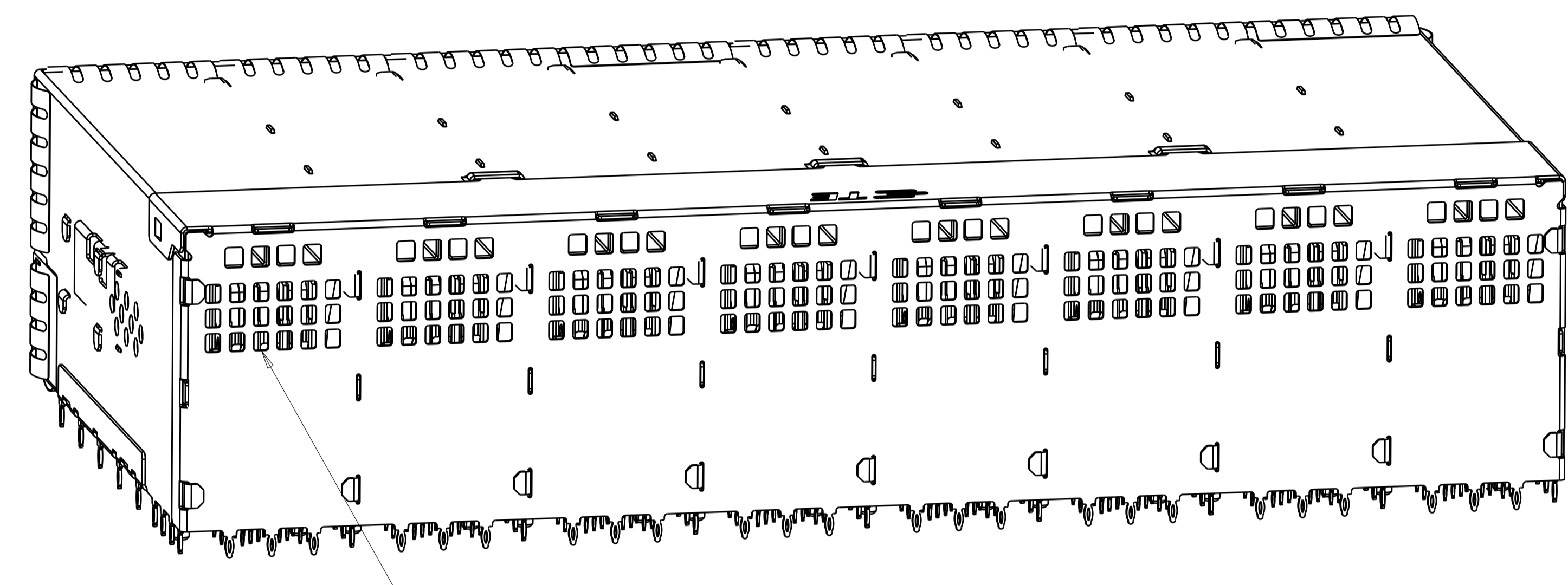


AIR VENTS



AIR VENTS

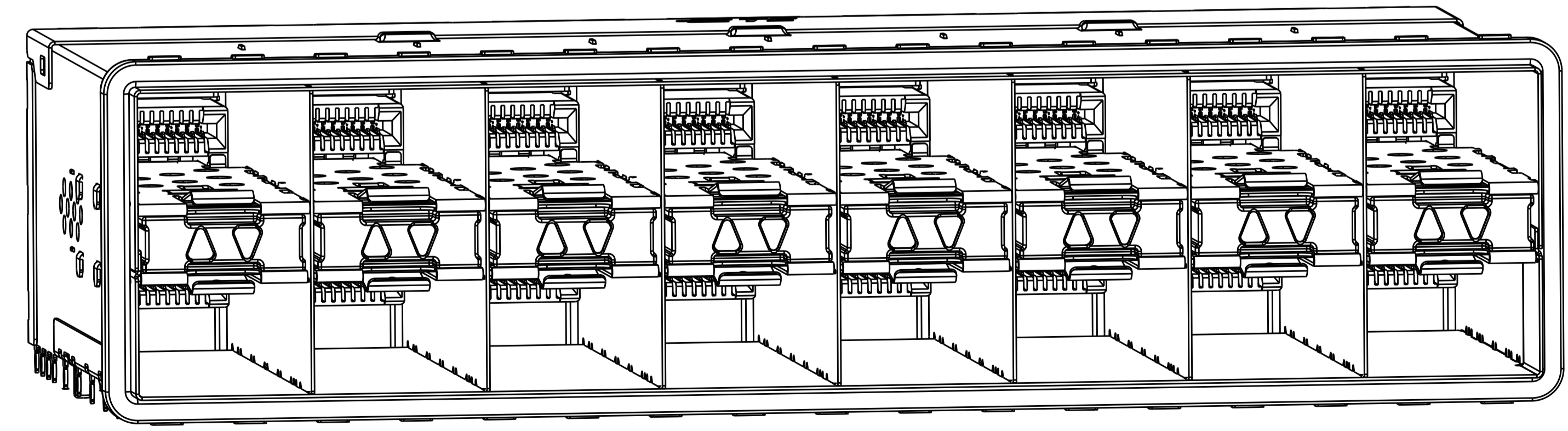
3-2198346-0
EMI GASKET TYPE



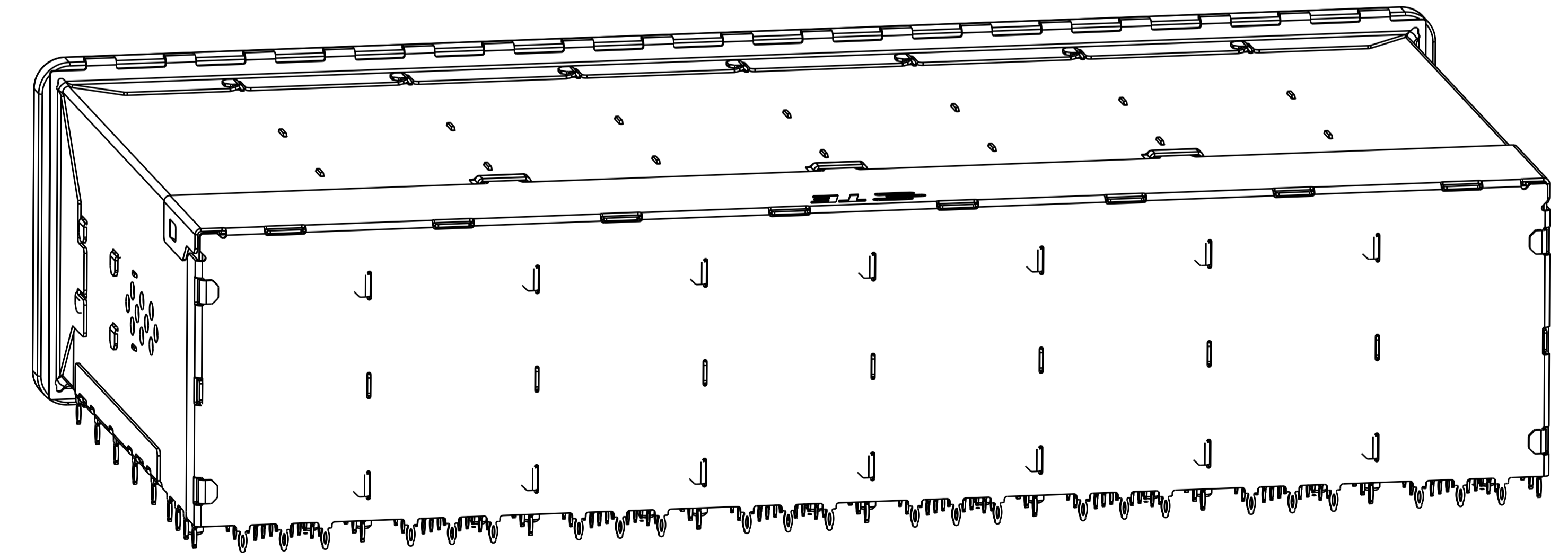
AIR VENTS

3-2198346-1
EMI SPRING TYPE

EMI GASKET TYPE WITH LOW PROFILE FLANGE



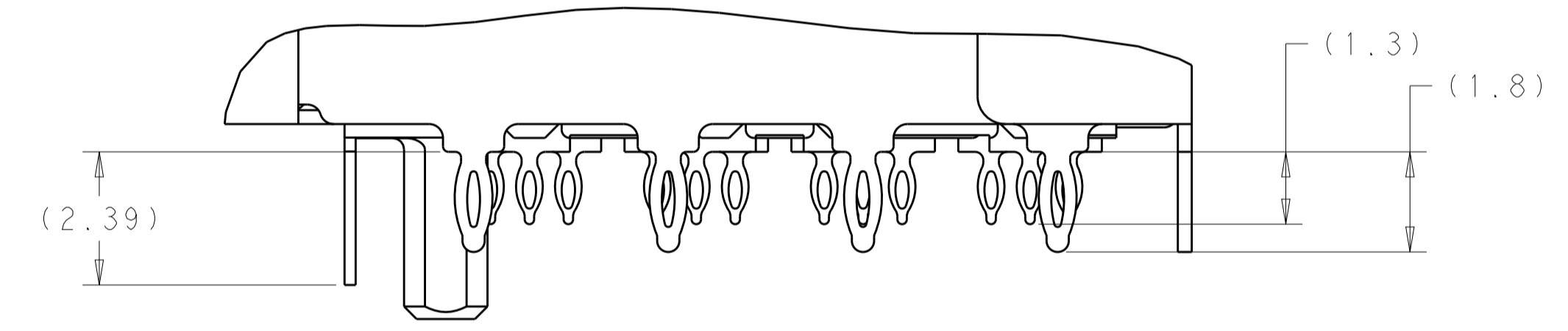
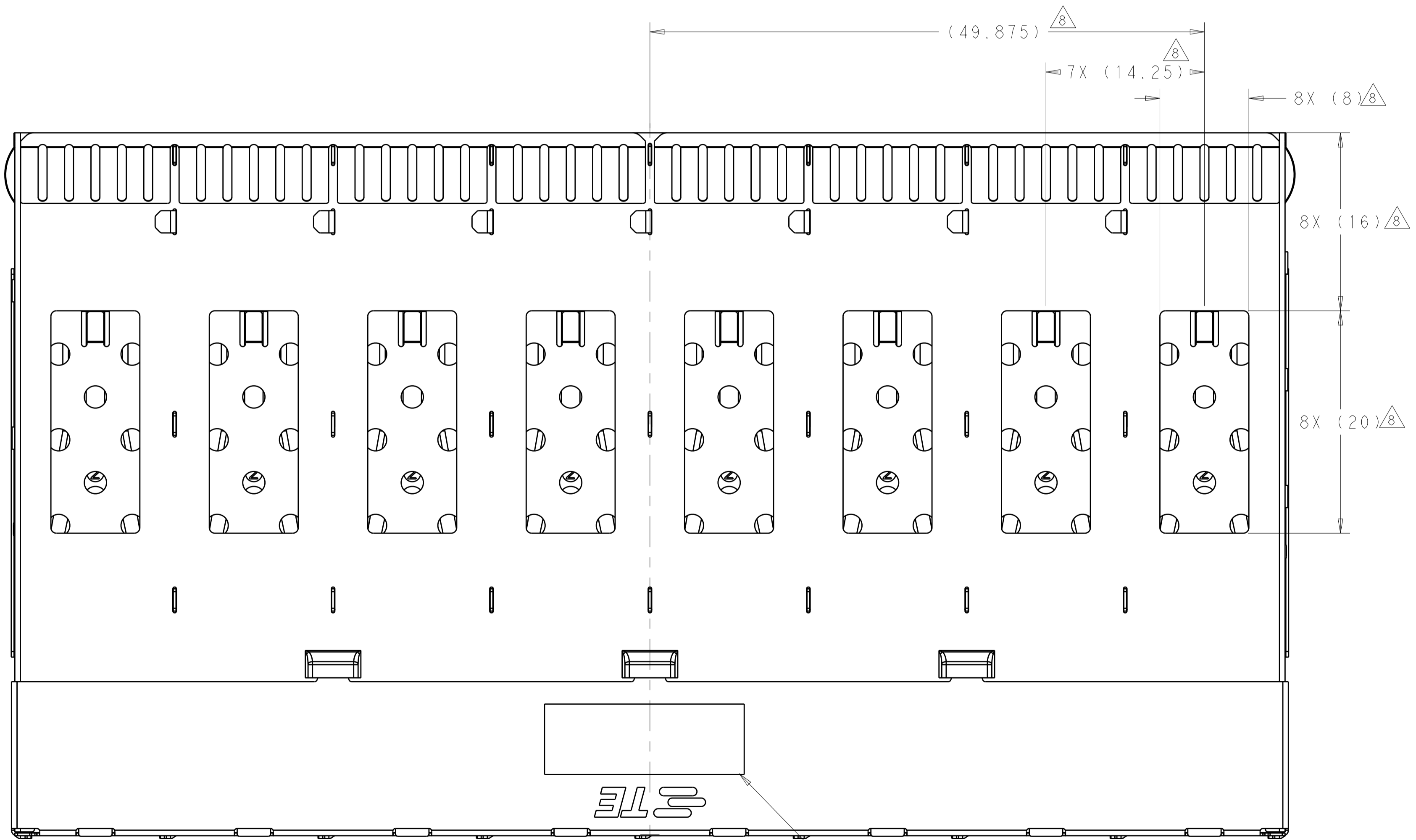
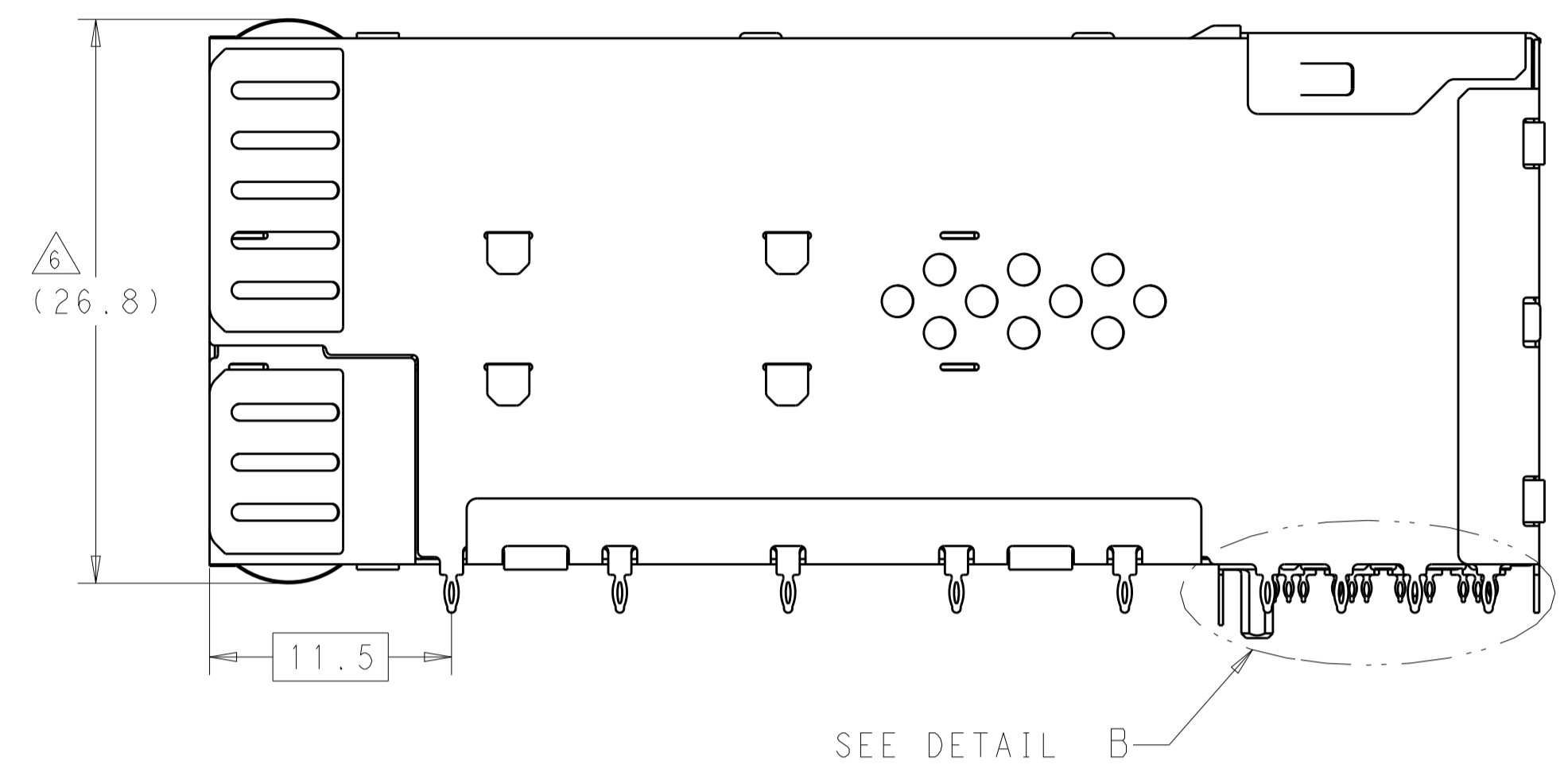
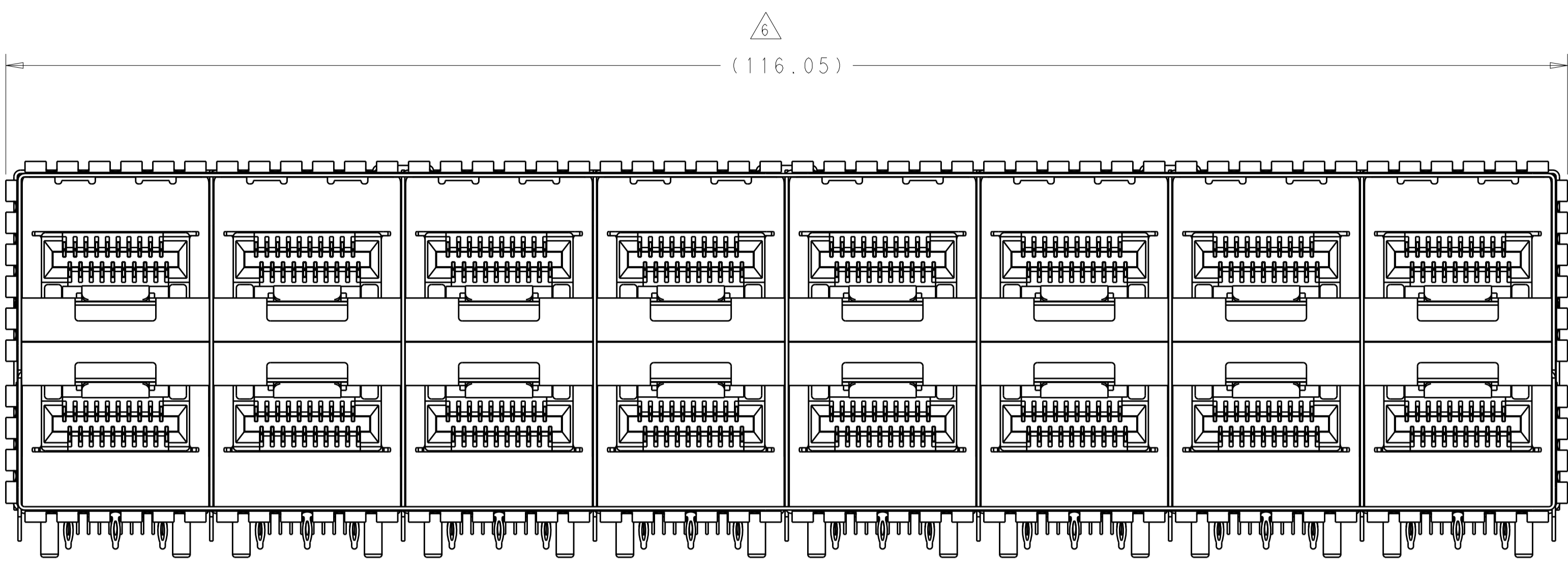
3-2198346-2



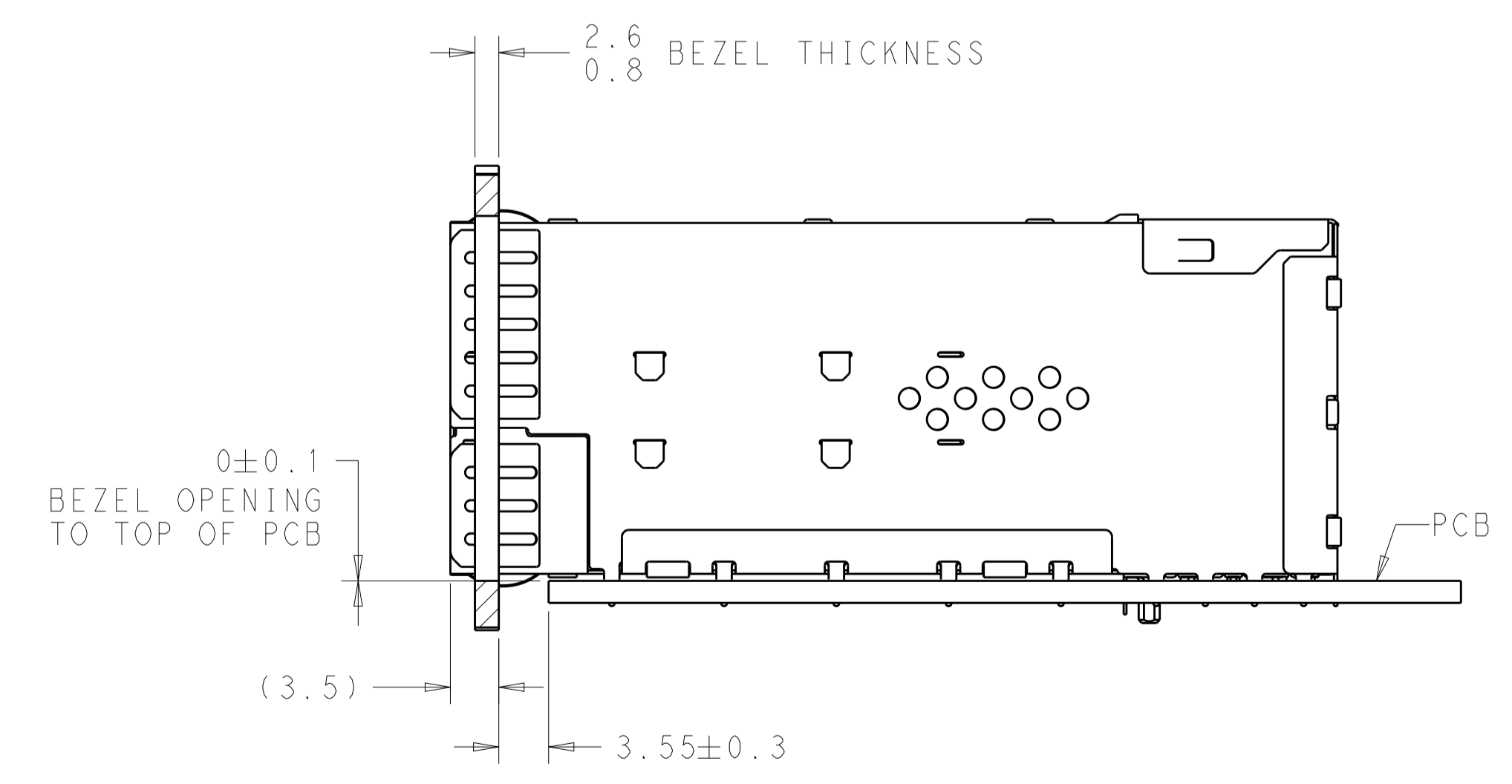
THIS DRAWING IS A CONTROLLED DOCUMENT.		OWN: M.E. CONNER 09DEC2011	TE Connectivity NAME: RECEPTACLE ASSEMBLY, 2X8, STACKED, 2SFP+ SIZE: CAGE CODE DRAWING NO: A100779C=2198346 RESTRICTED TO:
DIMENSIONS: mm		CHK: M.D. MORRISON 13DEC2011	
TOLERANCES UNLESS OTHERWISE SPECIFIED: 0 PLC ± 1 PLC ±0.20 2 PLC ±0.15 3 PLC ±0.10 4 PLC ± ANGLES ±°		APVD: M.D. MORRISON 13DEC2011	
MATERIAL: SEE NOTES		FINISH: SEE NOTES	
PRODUCT SPEC: 108-2481 APPLICATION SPEC: 114-13319 WEIGHT: - Customer Drawing		SCALE: 3:1	SHEET 2 OF 7

LOC		DIST		REVISIONS			
P	LTN	DESCRIPTION	DATE	DWN	APVD		
-	-	SEE SHEET 1	-	-	-		

2198346-5 THRU 1-2198346-2, 1-2198346-9, 2-2198346-0, 4-2198346-0
 EMI SPRINGS ONLY



DETAIL B
 SCALE 10:1

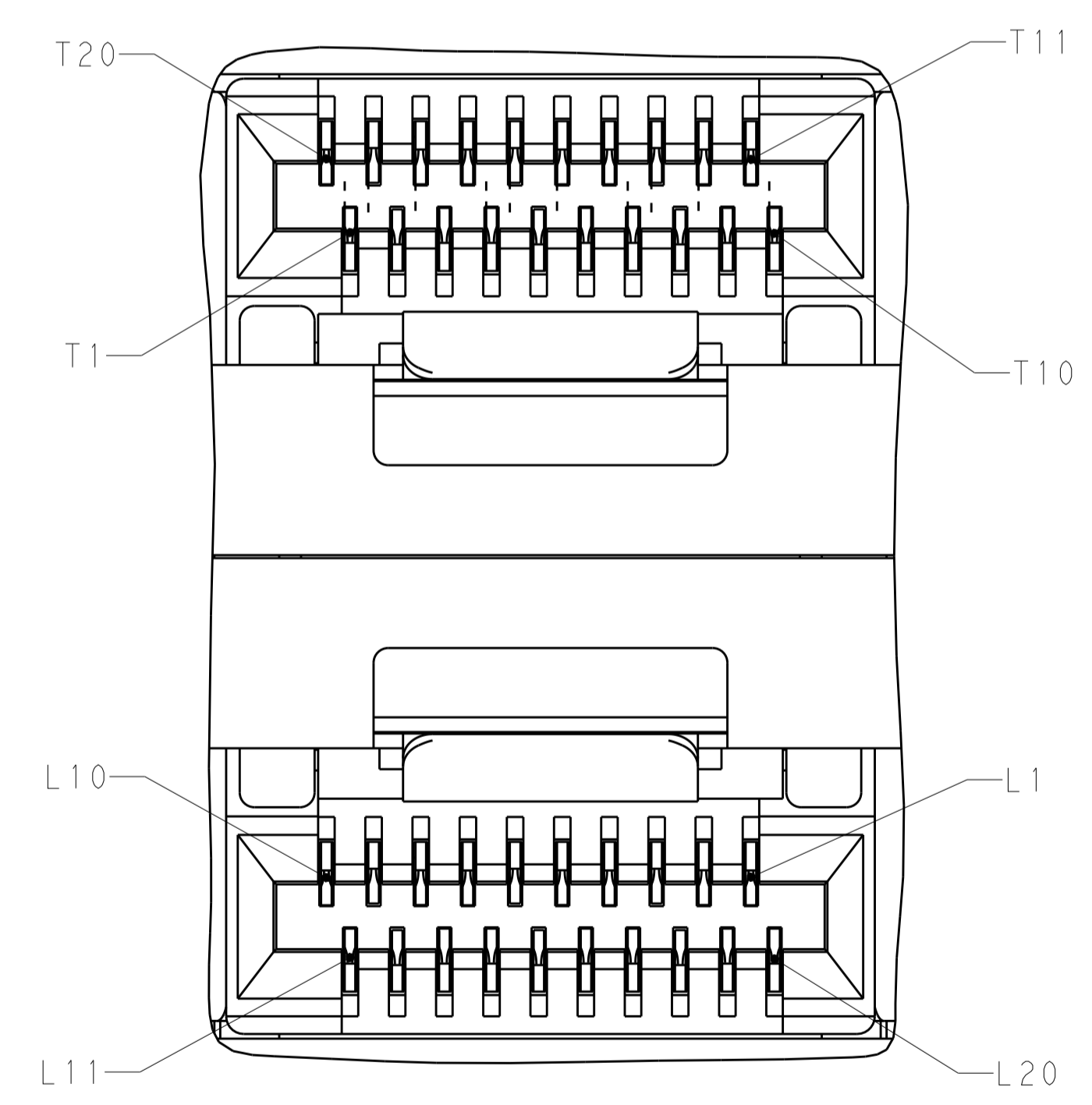
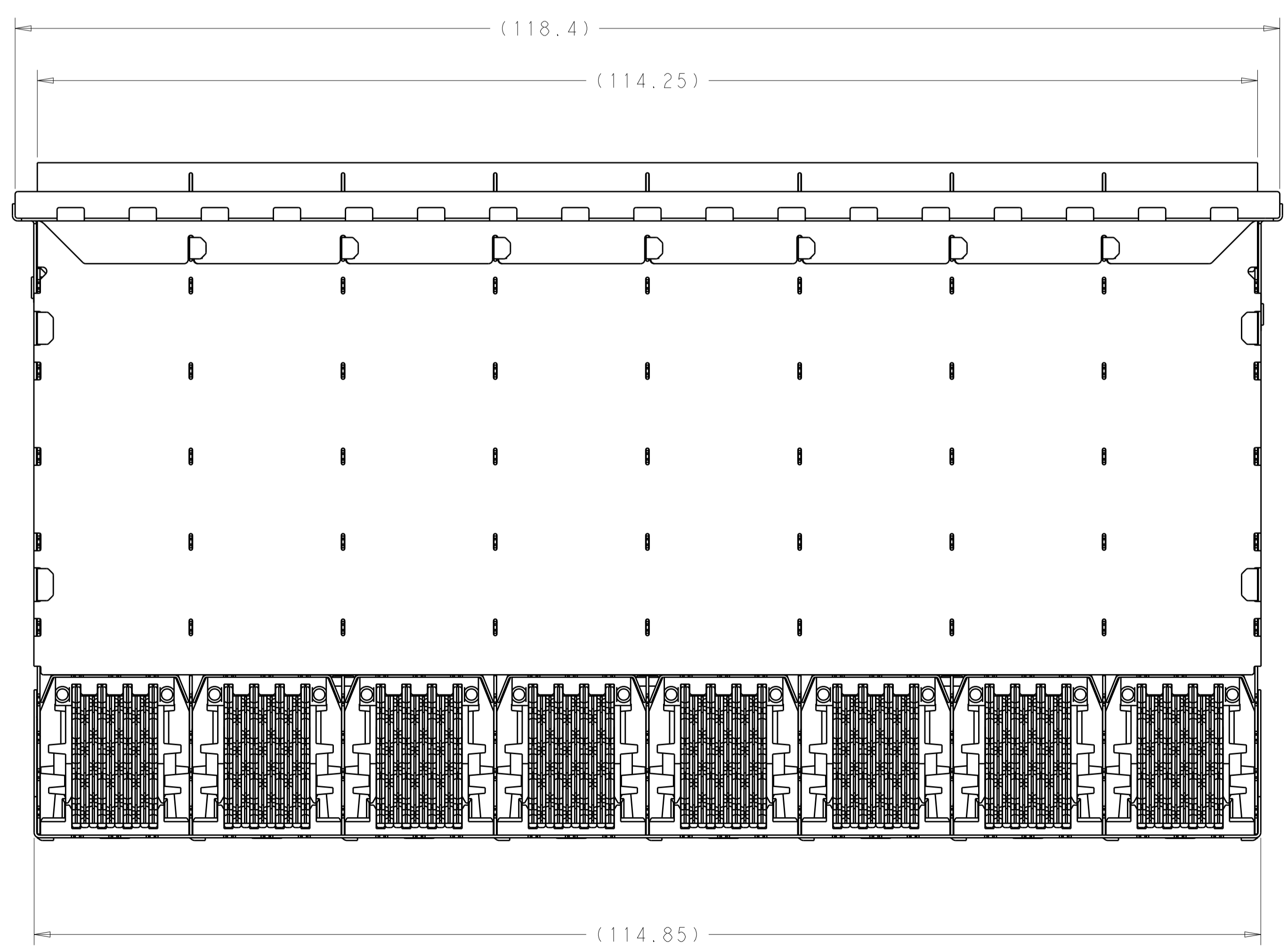
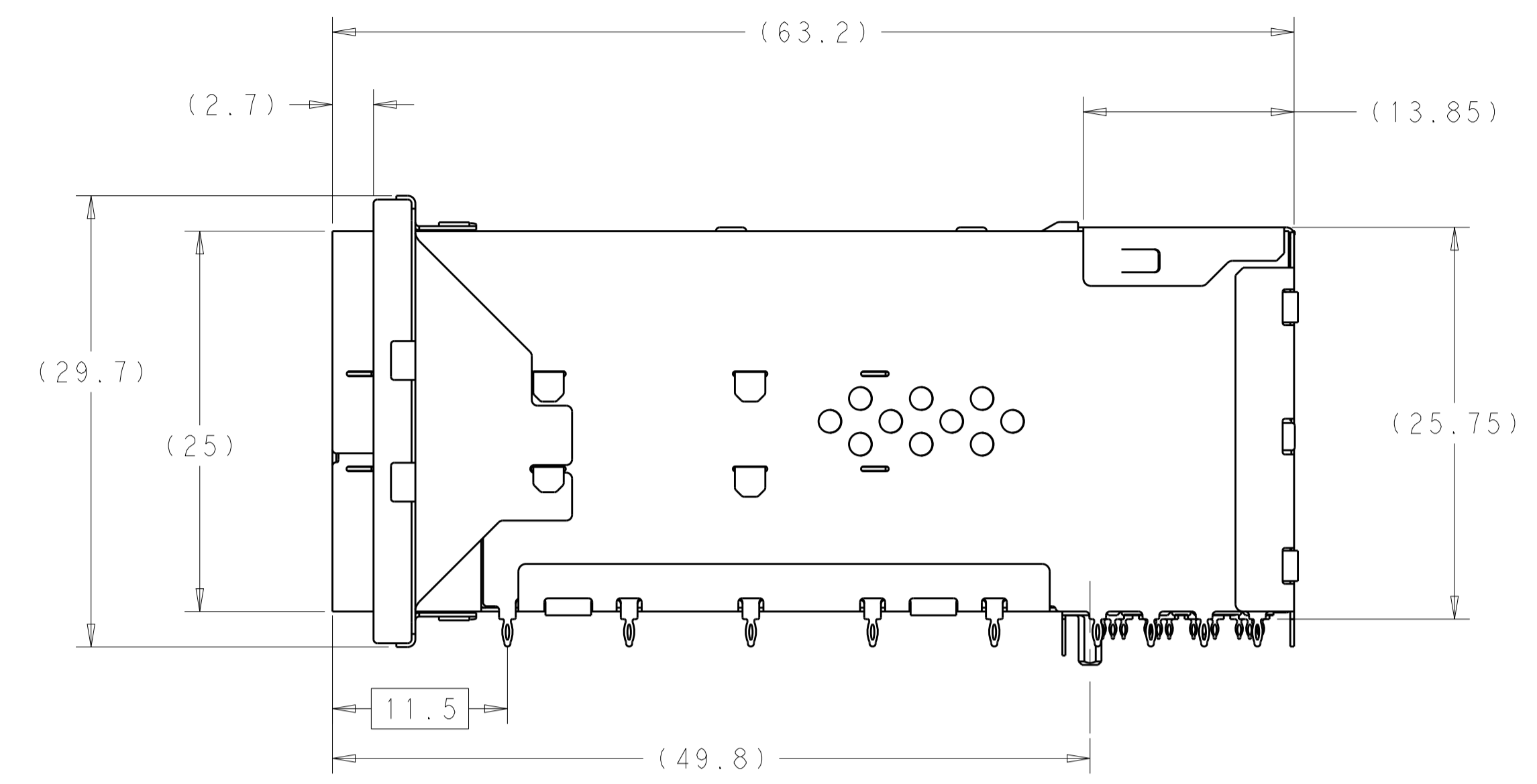
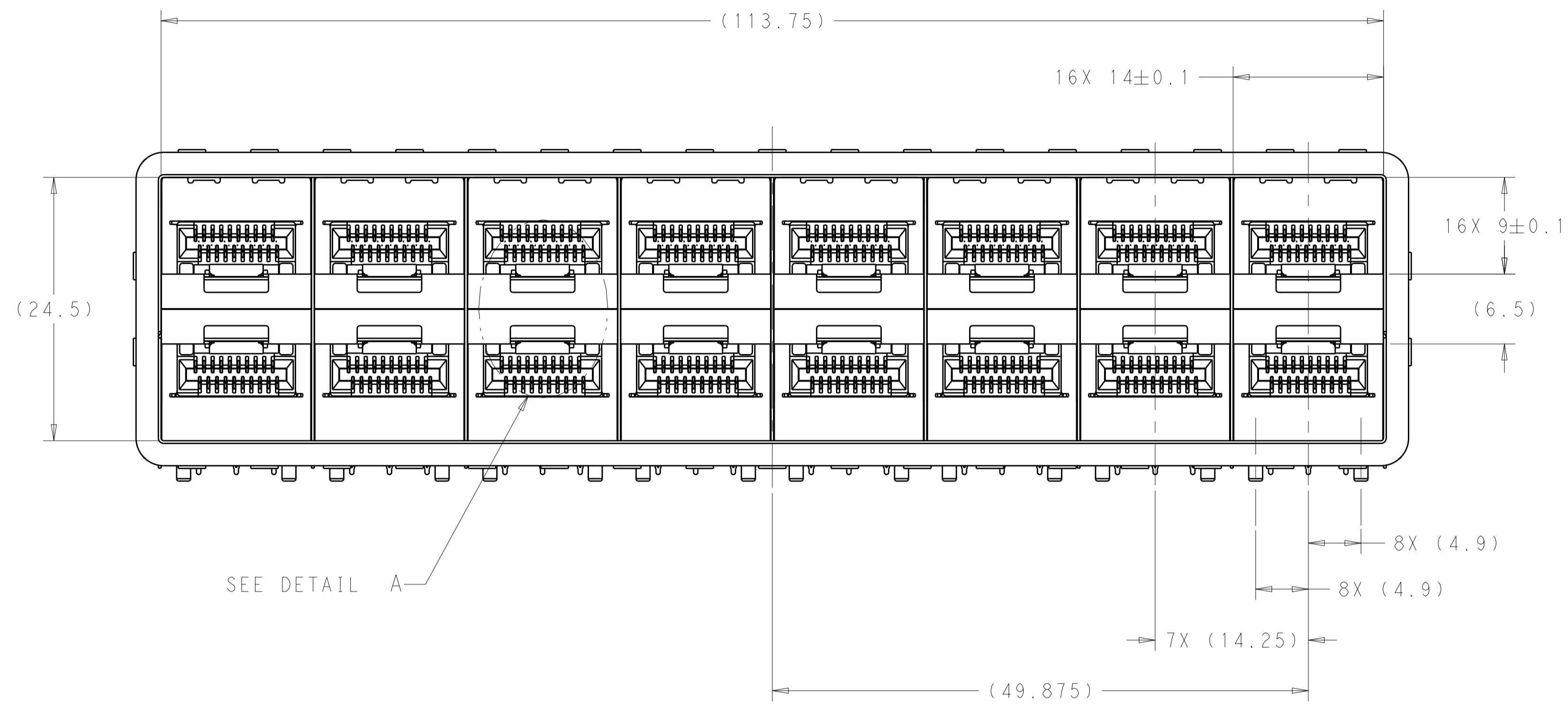


RECOMMENDED BEZEL LOCATION WITH EMI SPRINGS
 SCALE 5:2

LASER MARK DATE CODE AND PART NUMBER
 IN APPROXIMATE LOCATION SHOWN

THIS DRAWING IS A CONTROLLED DOCUMENT.		DWN: M.E. CONNER 09DEC2011	TE Connectivity
DIMENSIONS: mm		CHK: M.D. MORRISON 13DEC2011	
TOLERANCES UNLESS OTHERWISE SPECIFIED:		APVD: M.D. MORRISON 13DEC2011	NAME: RECEPTACLE ASSEMBLY, 2X8, STACKED, zSFP+ PRODUCT SPEC: 108-2481 APPLICATION SPEC:
0 PLC ± 1 PLC ±0.20 2 PLC ±0.15 3 PLC ±0.10 4 PLC ± ANGLES ±		SIZE: 114-13319 WEIGHT:	
MATERIAL: SEE NOTES		FINISH: SEE NOTES	CUSTOMER DRAWING SCALE: 3:1 SHEET 3 OF 7 REV C

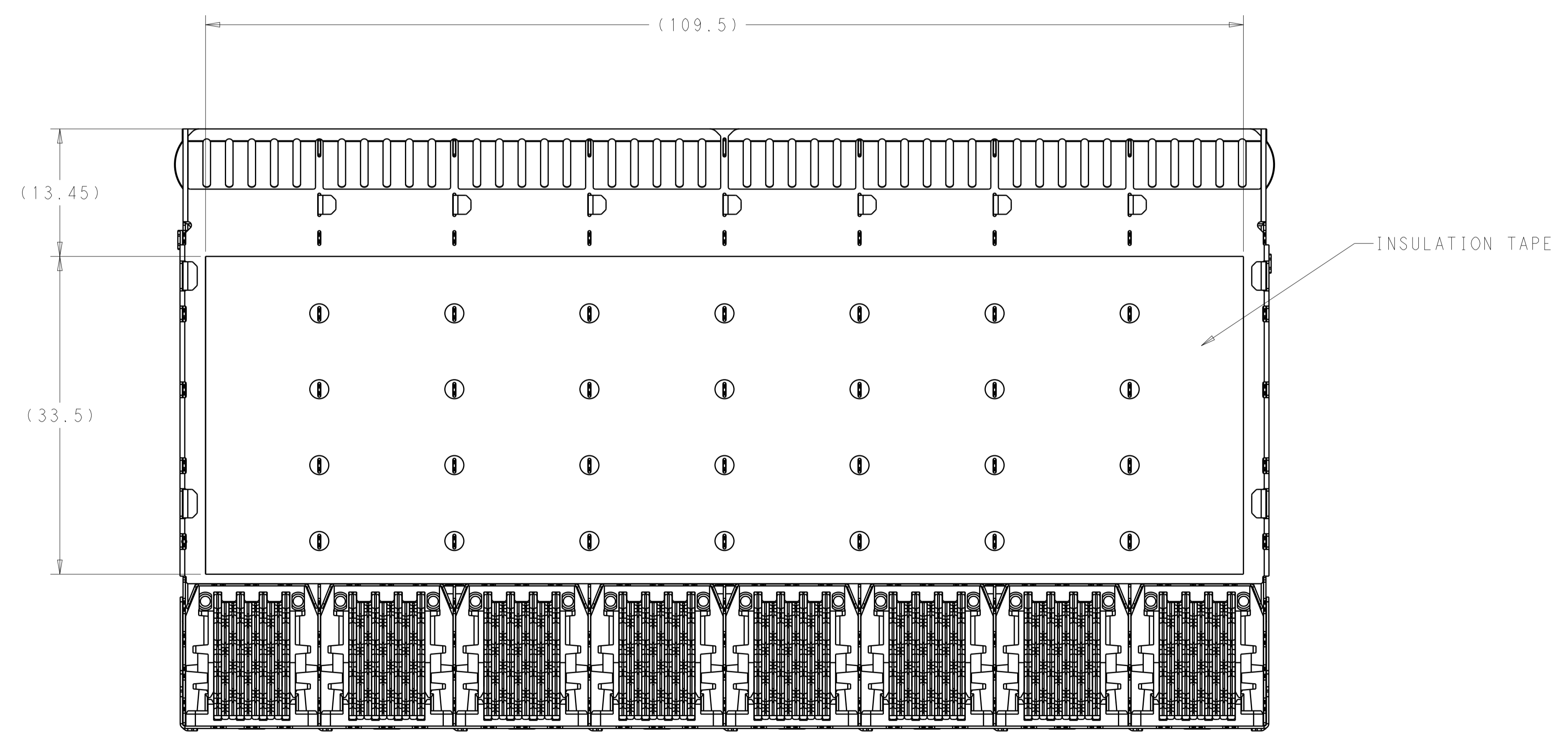
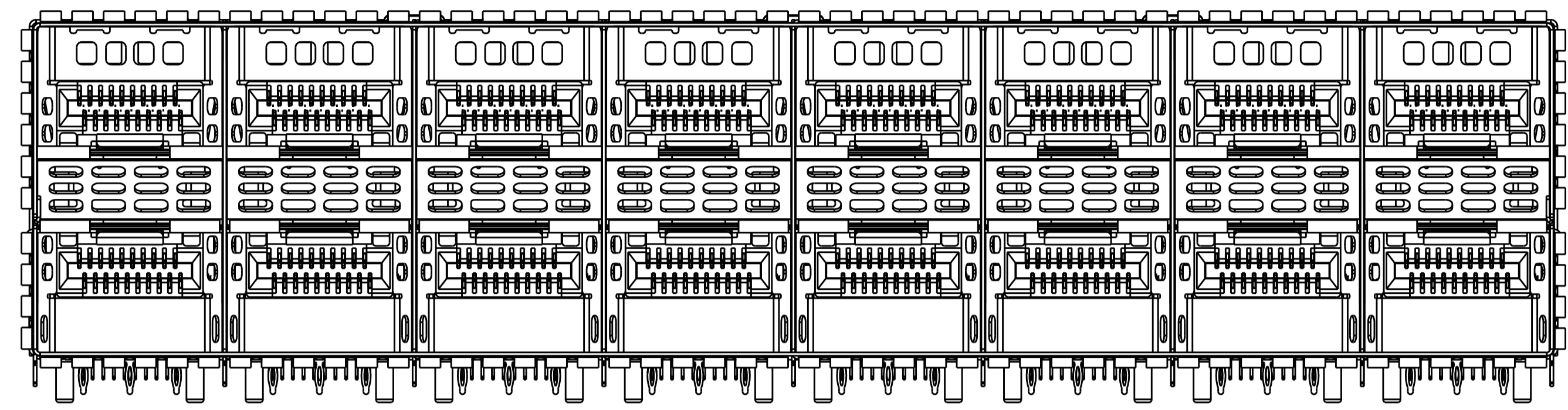
LOC		DIST		REVISIONS			
P.	LTN	DESCRIPTION	DATE	DWN	APVD		
-	-	SEE SHEET 1	-	-	-		



THIS DRAWING IS A CONTROLLED DOCUMENT.		DWN: M.E. CONNER 09DEC2011	TE Connectivity
DIMENSIONS: mm		CHK: M.D. MORRISON 13DEC2011	
TOLERANCES UNLESS OTHERWISE SPECIFIED:		APVD: M.D. MORRISON 13DEC2011	NAME: RECEPTACLE ASSEMBLY, 2X8, STACKED, zSFP+
0 PLC ±.20		PRODUCT SPEC: 108-2481	SIZE: 114-13319
1 PLC ±0.15		APPLICATION SPEC: 114-13319	RESTRICTED TO: -
2 PLC ±0.10		WEIGHT: -	SCALE: 3:1
3 PLC ±.08		Customer Drawing	SHEET 4 OF 7
4 PLC ±.05			REV C
ANGLES ±.05			
FINISH: SEE NOTES			

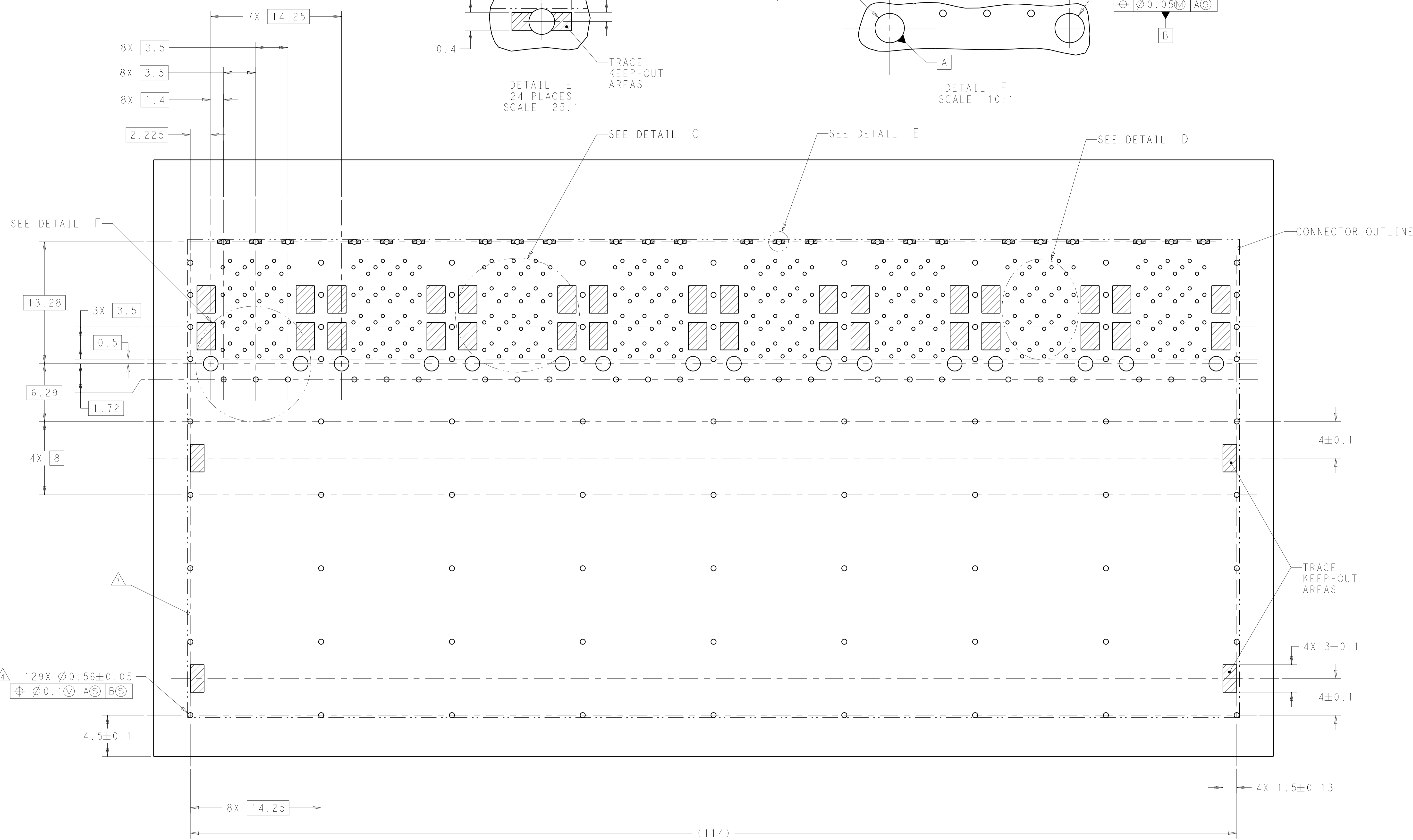
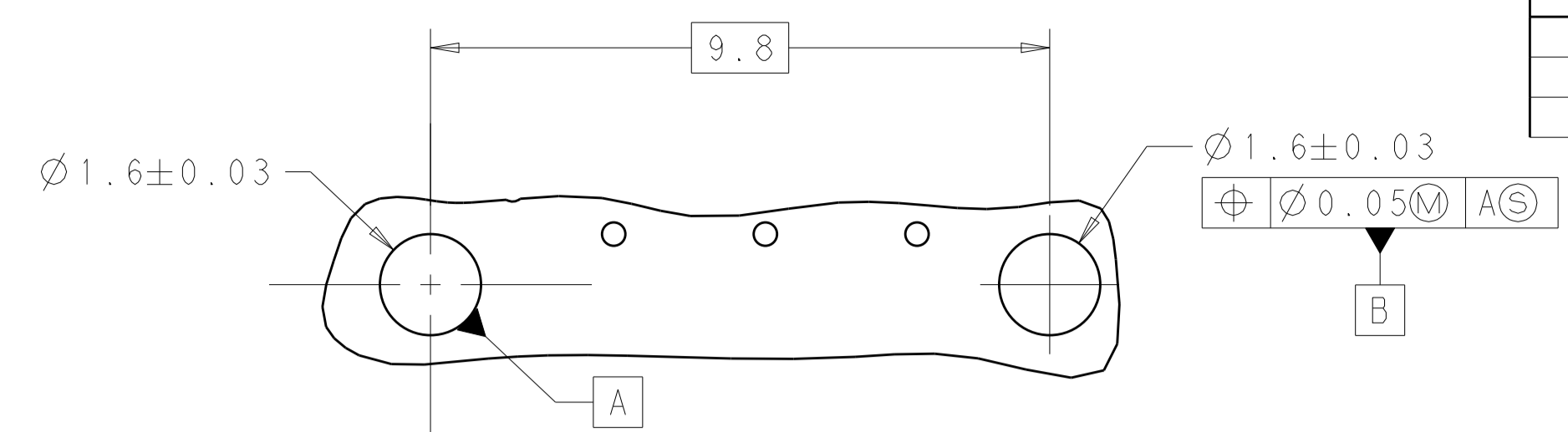
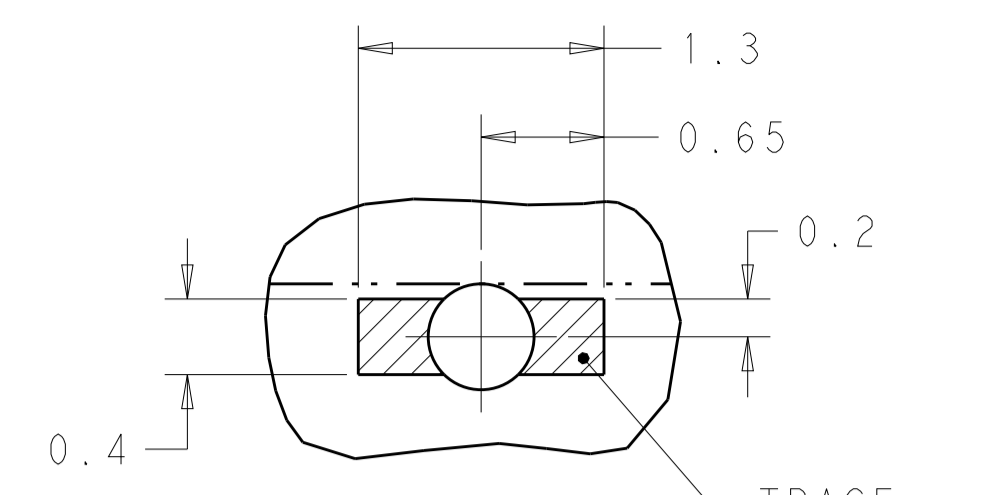
LOC		DIST		REVISIONS			
P.	LTN	DESCRIPTION	DATE	DWN	APVD		
-		SEE SHEET 1	-	-	-		

3-2198346-3
 UNMARKED DIMENSIONS SAME AS 3-2198346-1



THIS DRAWING IS A CONTROLLED DOCUMENT.		DWN: M.E. CONNER 09DEC2011	TE Connectivity
DIMENSIONS: mm		CHK: M.D. MORRISON 13DEC2011	
TOLERANCES UNLESS OTHERWISE SPECIFIED: 0 PLC ±.1 1 PLC ±.25 2 PLC ±.25 3 PLC ±.25 4 PLC ±.25 ANGLES ±.1		APVD: M.D. MORRISON 13DEC2011	NAME: RECEPTACLE ASSEMBLY, 2X8, STACKED, 2SFP+
MATERIAL: SEE NOTES		PRODUCT SPEC: 108-2481	SIZE: A100779
FINISH: SEE NOTES		APPLICATION SPEC: 114-13319	DRAWING NO: C=2198346
		WEIGHT: -	RESTRICTED TO: -
		Customer Drawing	SCALE: 3:1 SHEET 5 OF 7 REV C

LOC	DIST	REVISIONS			
P.	LTN	DESCRIPTION	DATE	DMN	APVD
-	-	SEE SHEET 1	-	-	-



129X $\varnothing 0.56 \pm 0.05$
 $\oplus \varnothing 0.1 \text{ (M) A (S) B (S)}$

RECOMMENDED PCB LAYOUT
 SCALE 5:1

THIS DRAWING IS A CONTROLLED DOCUMENT.		DMN: M.E. CONNER 09DEC2011	TE Connectivity
DIMENSIONS: mm		CHK: M.D. MORRISON 13DEC2011	
TOLERANCES UNLESS OTHERWISE SPECIFIED: 0 PLC ± 1 PLC ±0.20 2 PLC ±0.15 3 PLC ±0.10 4 PLC ± ANGLES ±		APVD: M.D. MORRISON 13DEC2011	NAME: RECEPTACLE ASSEMBLY, 2X8, STACKED, zSFP+
MATERIAL: SEE NOTES		PRODUCT SPEC: 108-2481	SIZE: CAGE CODE DRAWING NO. A100779C=2198346
FINISH: SEE NOTES		APPLICATION SPEC: 114-13319	RESTRICTED TO: -
Customer Drawing		WEIGHT: -	SCALE: 3:1 SHEET 6 OF 7 REV C