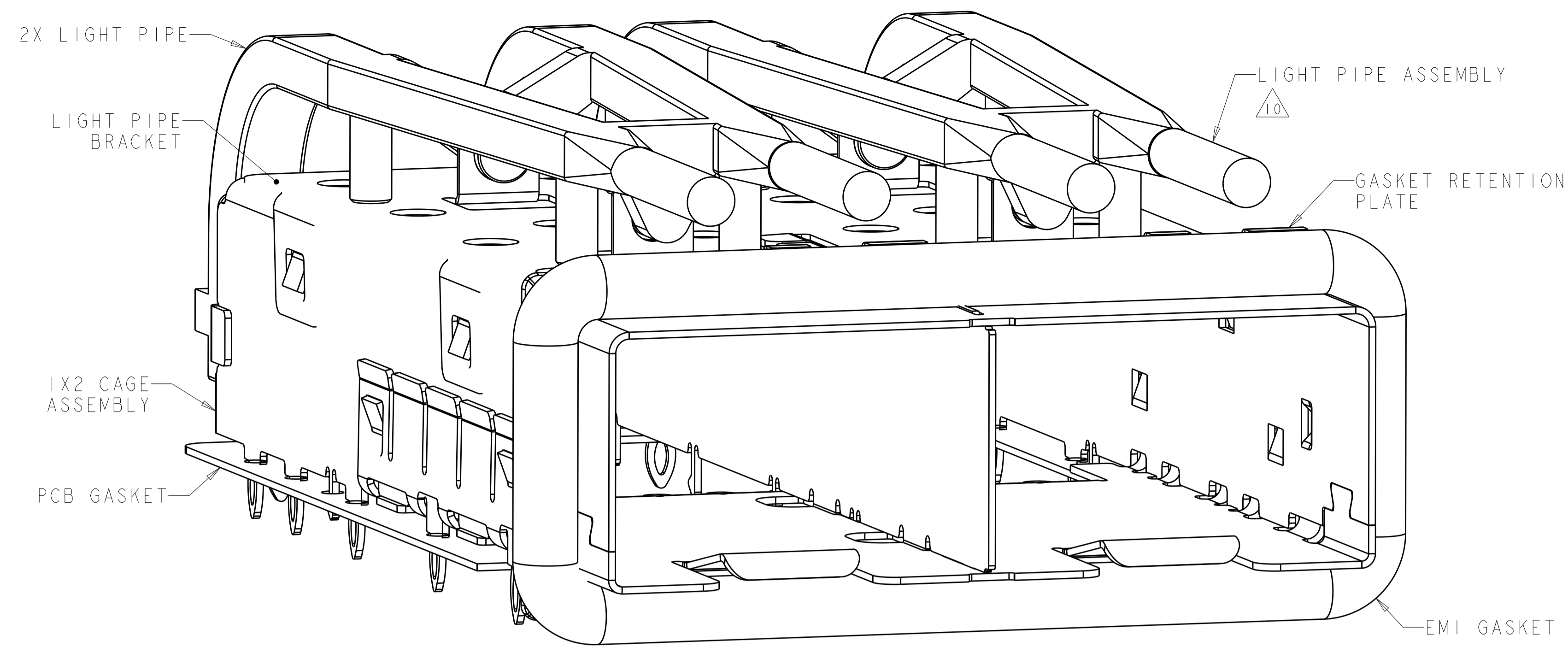
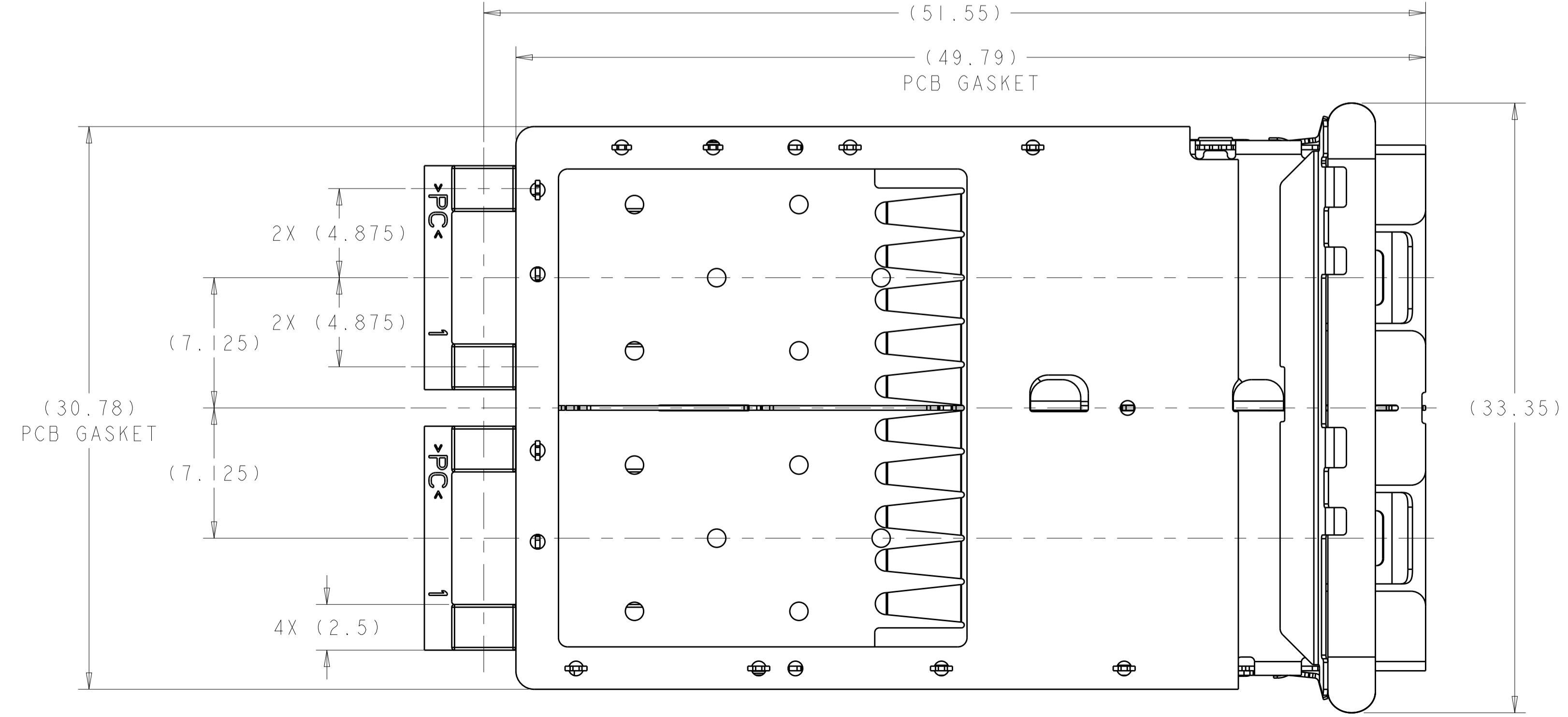
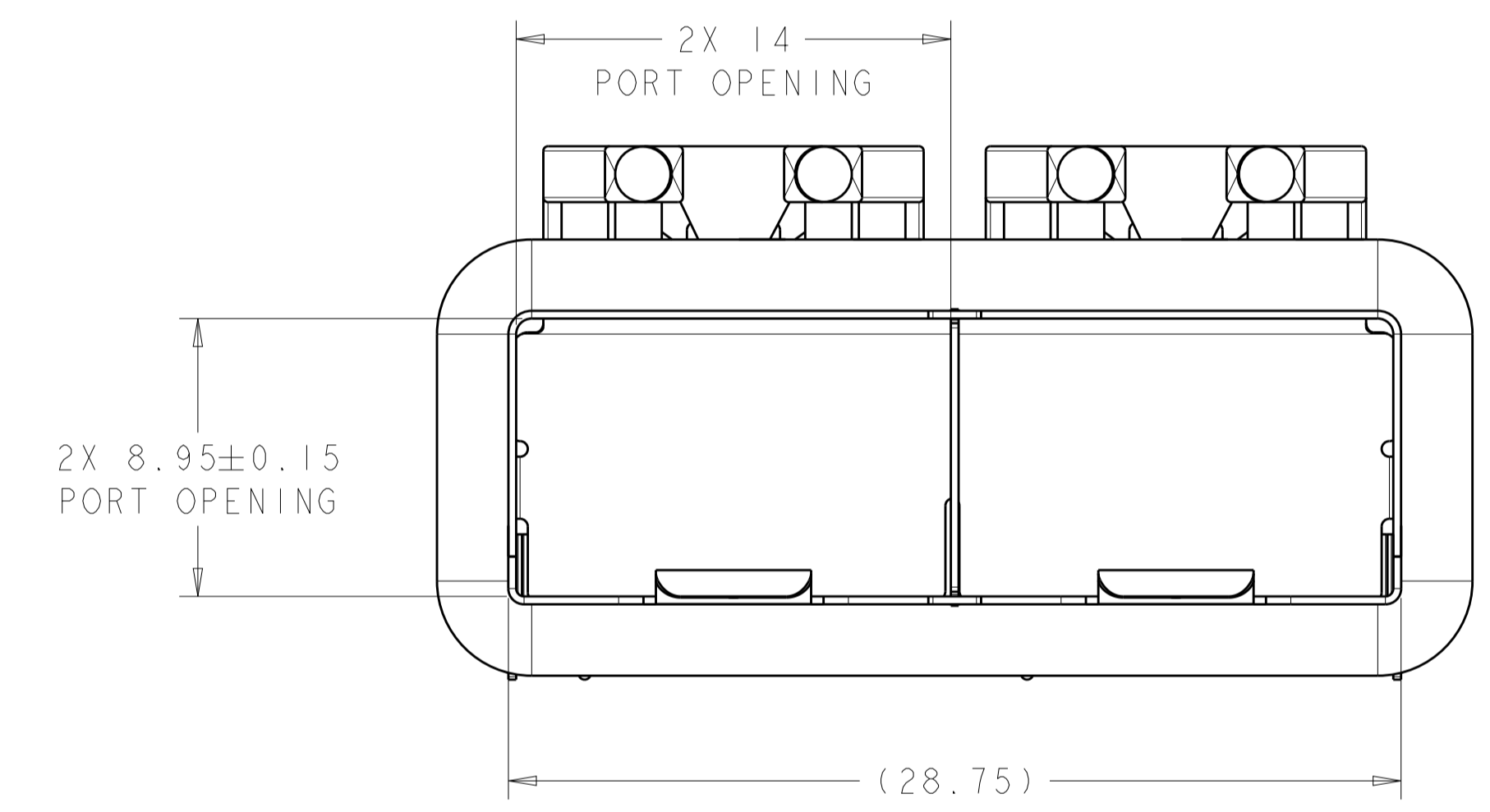
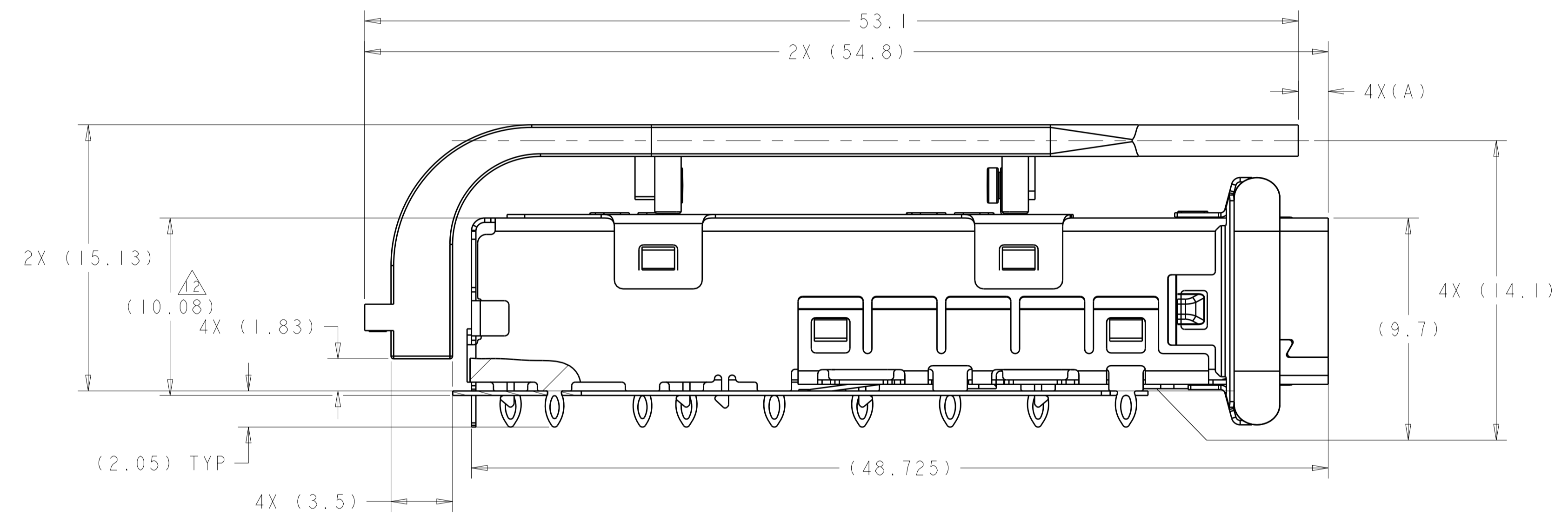


LOC	DIST	REVISIONS			
P	LTN	DESCRIPTION	DATE	DWN	APVD
A		REVISED PER ECO-15-002647	05MAR2015	AP	MS
B		REVISED PER ECO-16-014593	13FEB2017	JW	SH



- 1 MATERIAL:  
 CAGE ASSEMBLY: NICKEL SILVER ALLOY, (0.25mm)  
 GASKET RETENTION PLATE: STAINLESS STEEL  
 EMI GASKET: PLATED FILLED SILICONE  
 PCB GASKET: RF ABSORBER  
 LIGHT PIPE BRACKET: STAINLESS STEEL  
 LIGHT PIPE: POLYCARBONATE, CLEAR
- 2 MINIMUM PC BOARD THICKNESS:  
 SINGLE SIDED = 1.45mm  
 BELLY TO BELLY = 3mm
- 3 PADS AND VIAS CHASSIS GROUND
- 4 DATUM AND BASIC DIMENSION ESTABLISHED BY CUSTOMER
- 5. MATES WITH SFP MSA COMPLIANT TRANSCEIVERS
- 6. INTERPRETATION OF DATUM REFERENCE FRAME IN ACCORDANCE WITH SECT 4.4.1.1 OF ASME Y14.5M-1994
- 7 REFERENCE APPLICATION SPEC. 114-13120, HOLE A, FOR RECOMMENDED DRILL HOLE DIAMETER AND PLATING THICKNESS
- 8 REFERENCE APPLICATION SPEC. 114-13120, HOLE B, FOR RECOMMENDED DRILL HOLE DIAMETER AND PLATING THICKNESS
- 9 HOLE PATTERN REPEATS FOR EACH PORT, SPACING BETWEEN PORTS IS 14.25mm
- 10 LIGHT PIPE ASSEMBLY SHIPPED UNASSEMBLED TO CAGE ASSEMBLY, CAGE ASSEMBLY TO BE PRESSED INTO THE PCB PRIOR TO ATTACHING LIGHT PIPE ASSEMBLY TO CAGE
- 11. PRODUCT COMPLIES WITH SPECIFICATION SFF-8433, IMPROVED PLUGGABLE FORM FACTOR FOR SFP+ GANGED CAGES
- 12 CONTACT STANDOFF WILL PIERCE GASKET WHEN PROPERLY PRESSED INTO PCB

2198719-1  
SCALE 8:1



3.5	2198719-2
1.7	2198719-1
DIM A	PART NUMBER

THIS DRAWING IS A CONTROLLED DOCUMENT.

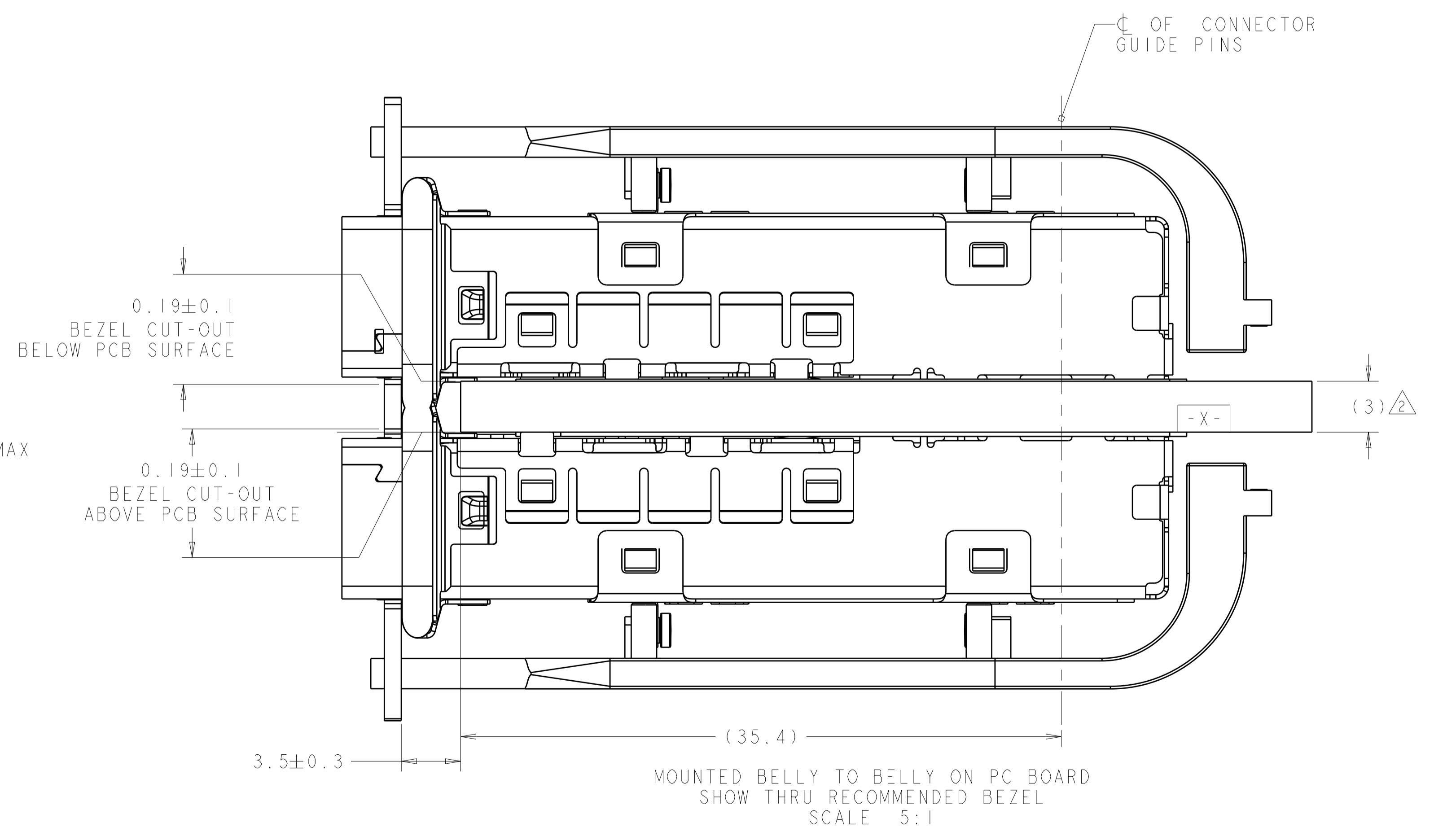
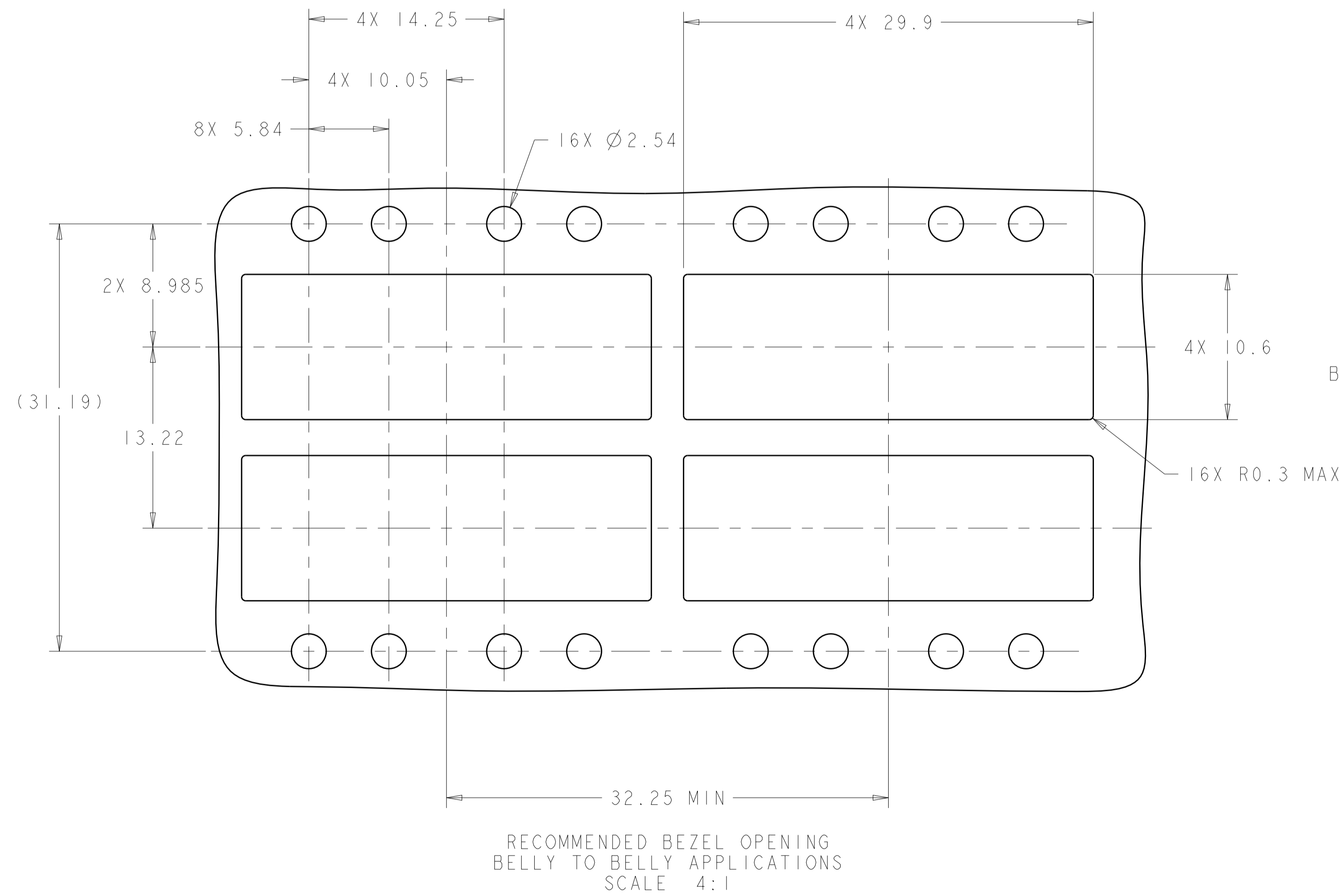
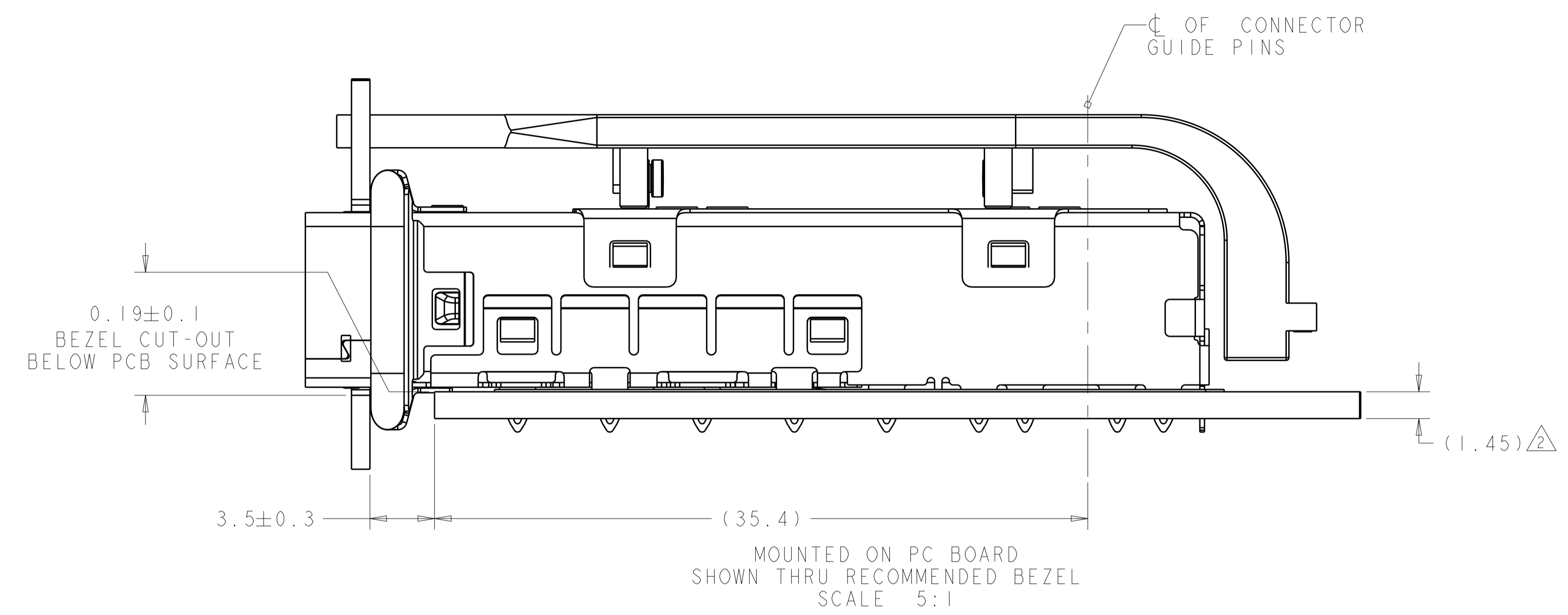
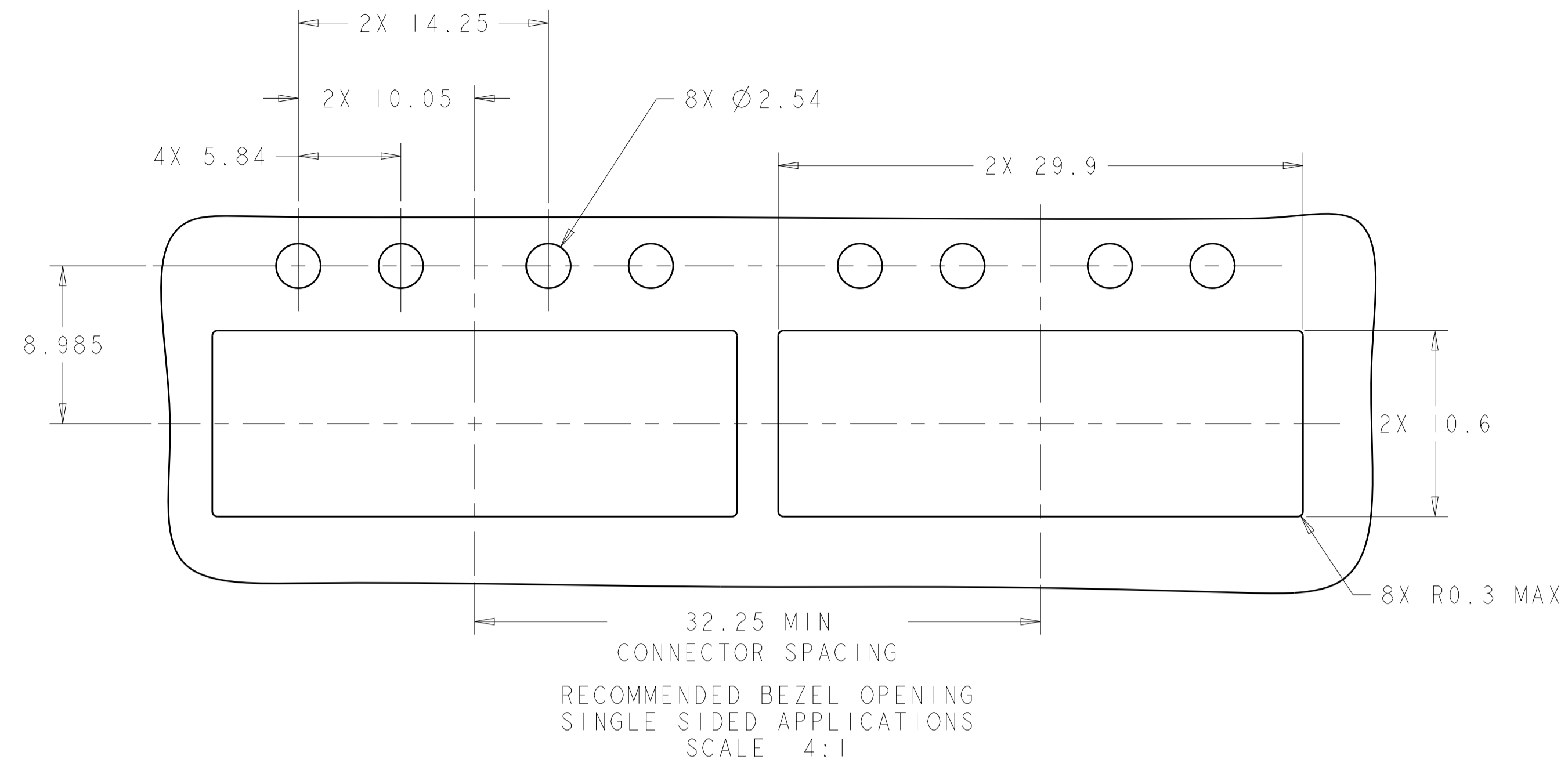
STE TE Connectivity

CAGE ASSEMBLY WITH LIGHT PIPES, ENHANCED, PRESS-FIT, 1X2, zSFP+

Customer Drawing

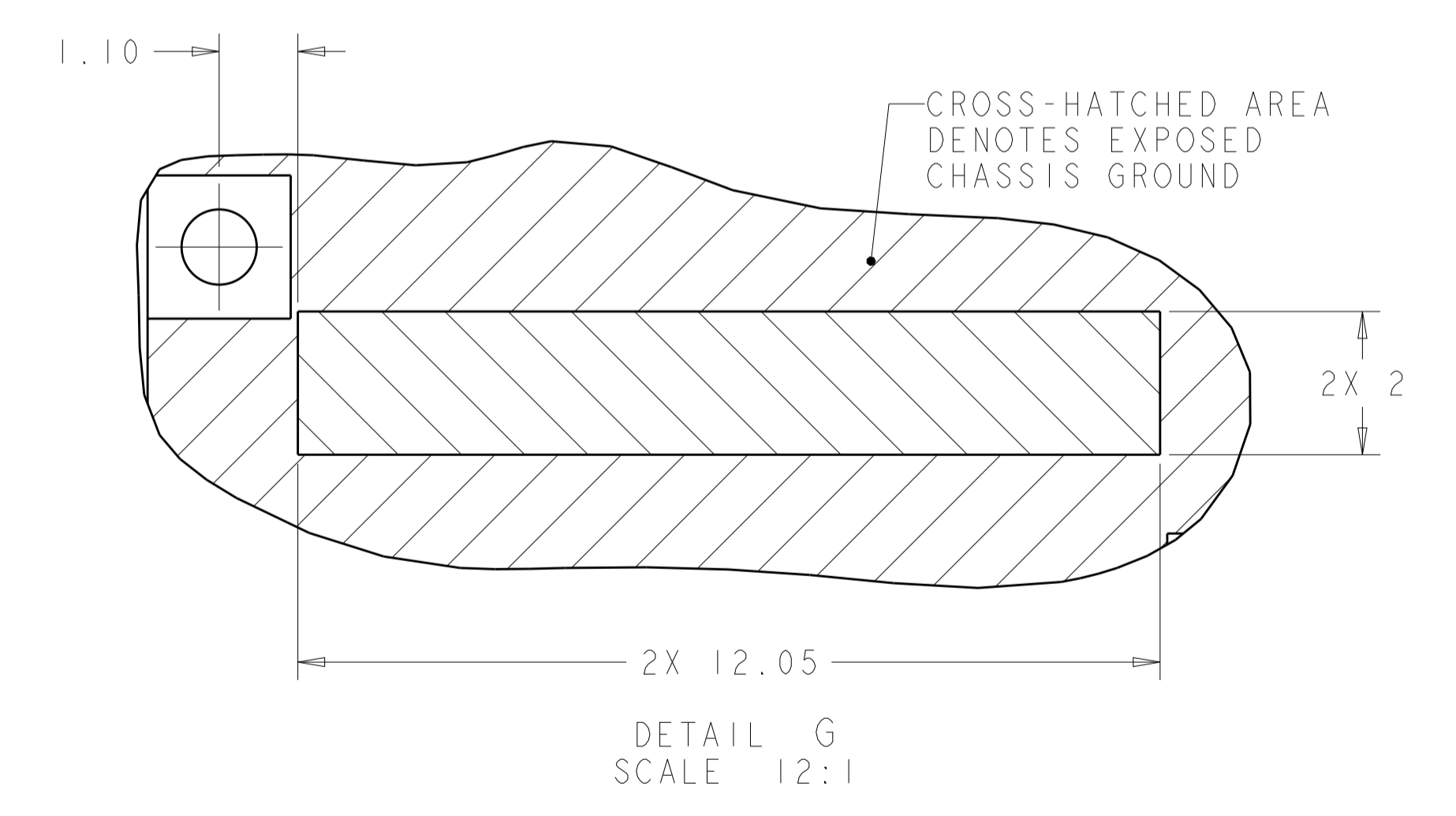
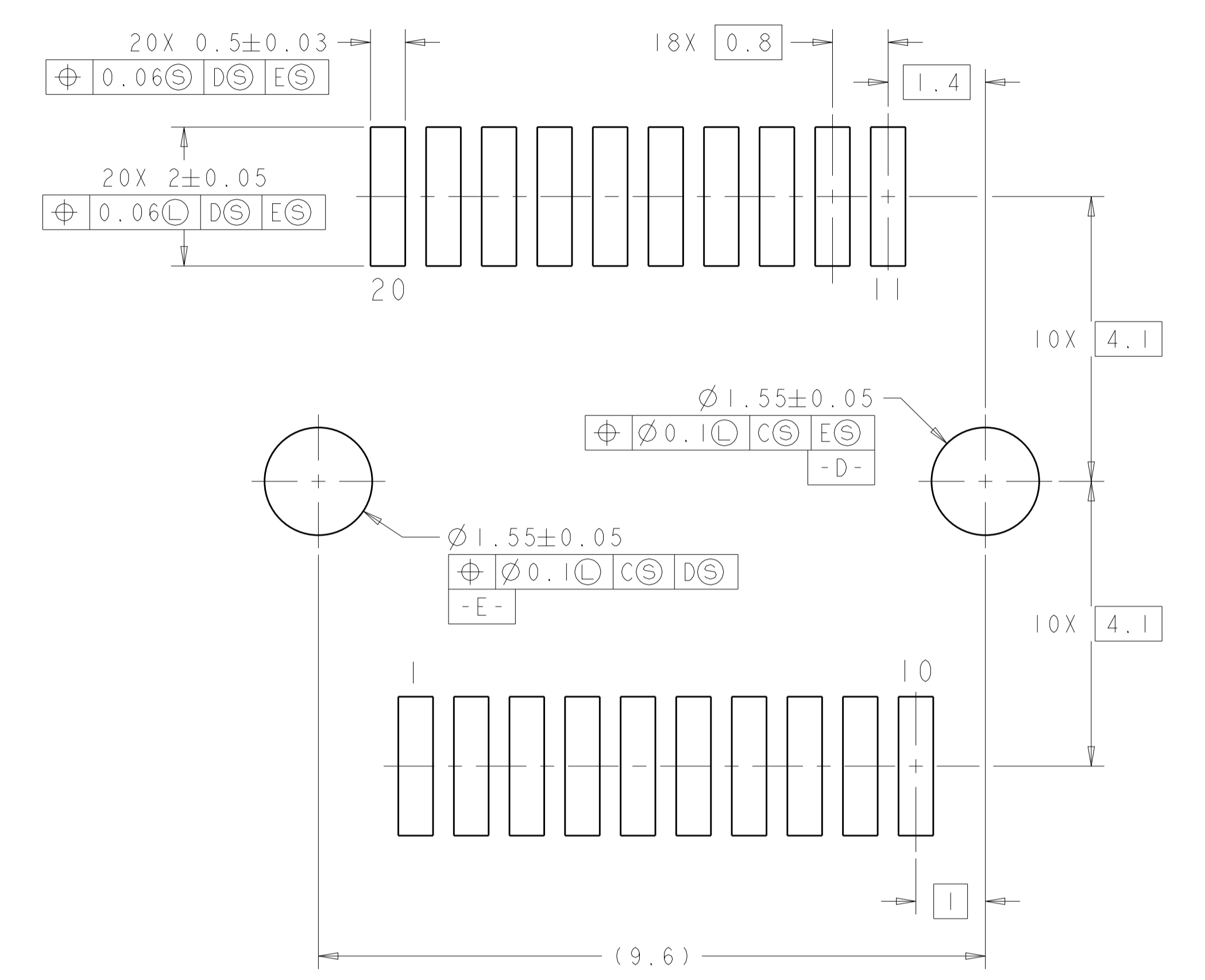
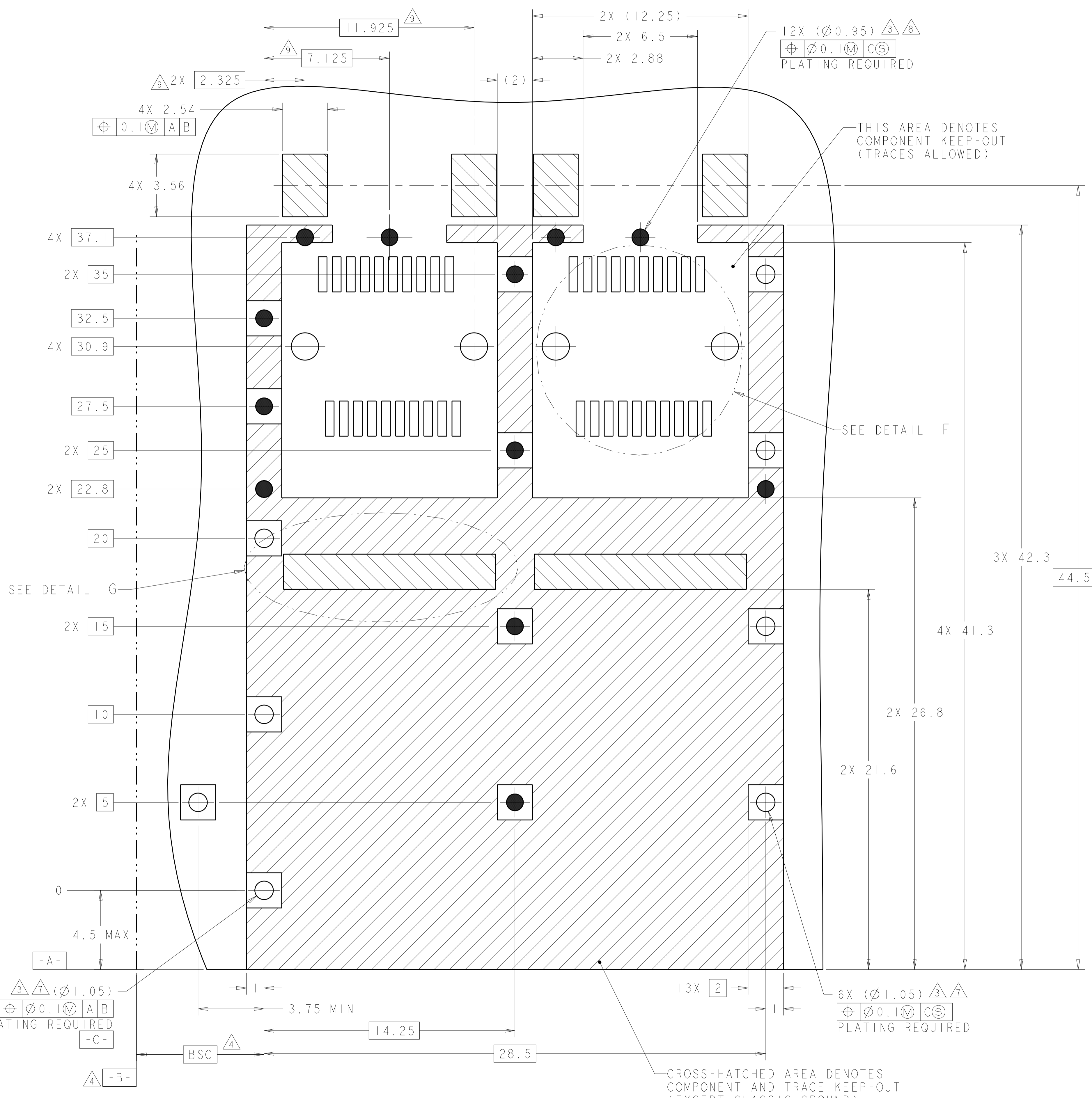
SCALE 5:1 SHEET 1 OF 4 REV B

LOC		DIST		REVISIONS			
GP	00	P	LTN	DESCRIPTION	DATE	DMN	APVD
-	-	-	-	SEE SHEET 1	-	-	-



THIS DRAWING IS A CONTROLLED DOCUMENT.		DMN M. E. CONNER 05FEB2013	NAME CAGE ASSEMBLY WITH LIGHT PIPES, ENHANCED, PRESS-FIT, 1X2, zSFP+
DIMENSIONS: mm		CHK M. D. MORRISON 05FEB2013	PRODUCT SPEC 108-2364
TOLERANCES UNLESS OTHERWISE SPECIFIED:		APVD M. J. PHILLIPS 05FEB2013	APPLICATION SPEC 114-13120
MATERIAL SEE NOTES		FINISH -	WEIGHT -
Customer Drawing		SIZE A1	RESTRICTED TO -
SCALE 6:1		CAGE CODE A100779	DRAWING NO. C=2198719
SHEET 2		OF 4	
REV B			

LOC	DIST	REV	DATE	BY	APPV
GP	00				
REVISIONS					
DESCRIPTION			DATE	BY	APPV
SEE SHEET 1					



RECOMMENDED PCB CONFIGURATION  
 WITH KEEP-OUT AREAS FOR SINGLE SIDED APPLICATION  
 SCALE 8:1

THIS DRAWING IS A CONTROLLED DOCUMENT.		OWN: M.E. CONNER 05FEB2013	TE Connectivity
DIMENSIONS: mm		CHK: M.D. MORRISON 05FEB2013	
TOLERANCES UNLESS OTHERWISE SPECIFIED:		APVD: M.J. PHILLIPS 05FEB2013	NAME: CAGE ASSEMBLY WITH LIGHT PIPES, ENHANCED, PRESS-FIT, 1X2, zSFP+
0 PLC ±0.1		PRODUCT SPEC: 108-2364	SIZE: 114-13120
1 PLC ±0.1		APPLICATION SPEC: 114-13120	WEIGHT: -
2 PLC ±0.08		ANGLES: ±0.5	FINISH: -
3 PLC ±0.05		RESTRICTED TO: -	SCALE: 6:1
4 PLC ±0.05		Customer Drawing	SHEET 3 OF 4
MATERIAL: SEE NOTES		A100779C=2198719	REV B