

THIS DRAWING IS UNPUBLISHED.

RELEASED FOR PUBLICATION

20

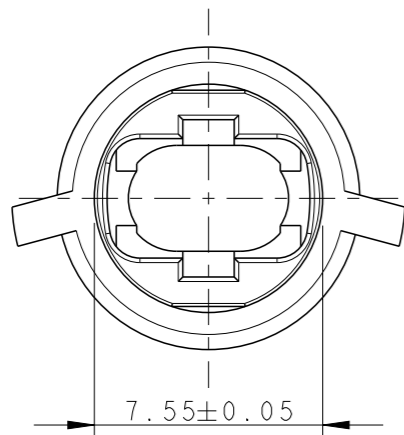
LOC -

DIST -

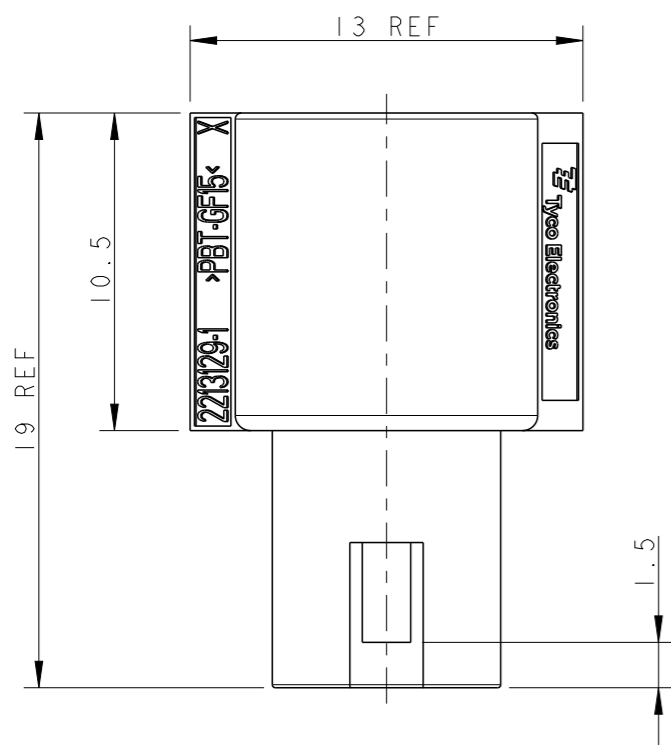
REVISIONS

© COPYRIGHT 20 BY - ALL RIGHTS RESERVED.

P	LTR	DESCRIPTION	DATE	DWN	APVD
	A	REVISED PER ECR-13-000948	06FEB2013	RS	DD



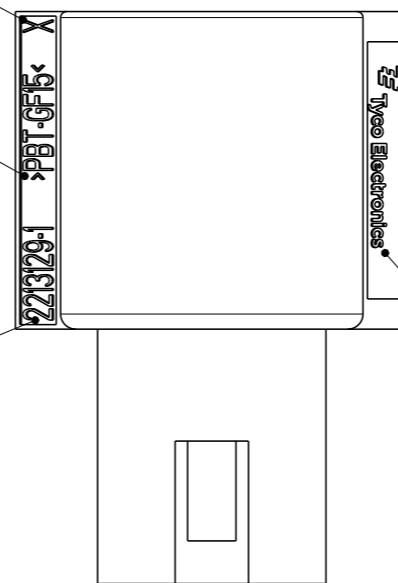
⚠ MATERIAL: PBT-GF15
COLOR: WHITE



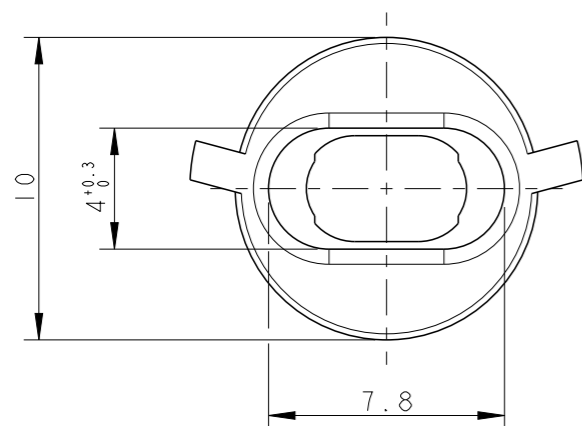
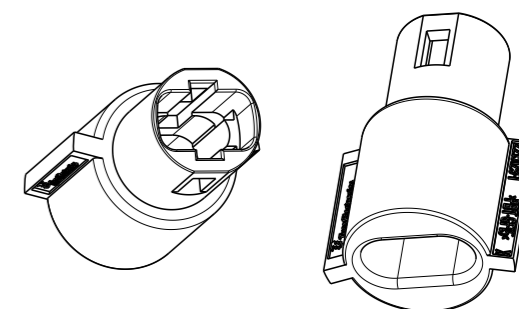
MOLD CAVITY ID

RAW MATERIAL



TE PART NUMBER



TE LOGO



2213129-1
PART NO

THIS DRAWING IS A CONTROLLED DOCUMENT.		DWN RAVI.S 14SEP2012	 TE Connectivity			
DIMENSIONS: mm		CHK D.DECKER 14SEP2012				
TOLERANCES UNLESS OTHERWISE SPECIFIED:		APVD D.DECKER 14SEP2012	NAME			
0 PLC ±.5 1 PLC ±0.5 2 PLC ±0.13 3 PLC ±0.02 4 PLC ±. ANGLES ±0.5°		PRODUCT SPEC -	MINI HVL LIGHTING SYSTEM 7.5mm CHASSIS MOUNT HOUSING SUPPORT FOR SPT-2 WIRE.			
MATERIAL -		APPLICATION SPEC -	SIZE	CAGE CODE	DRAWING NO	RESTRICTED TO
FINISH -		WEIGHT -	A3	00779	C-2213129	-
		Customer Drawing	SCALE 4:1	SHEET 1	OF 1	REV A