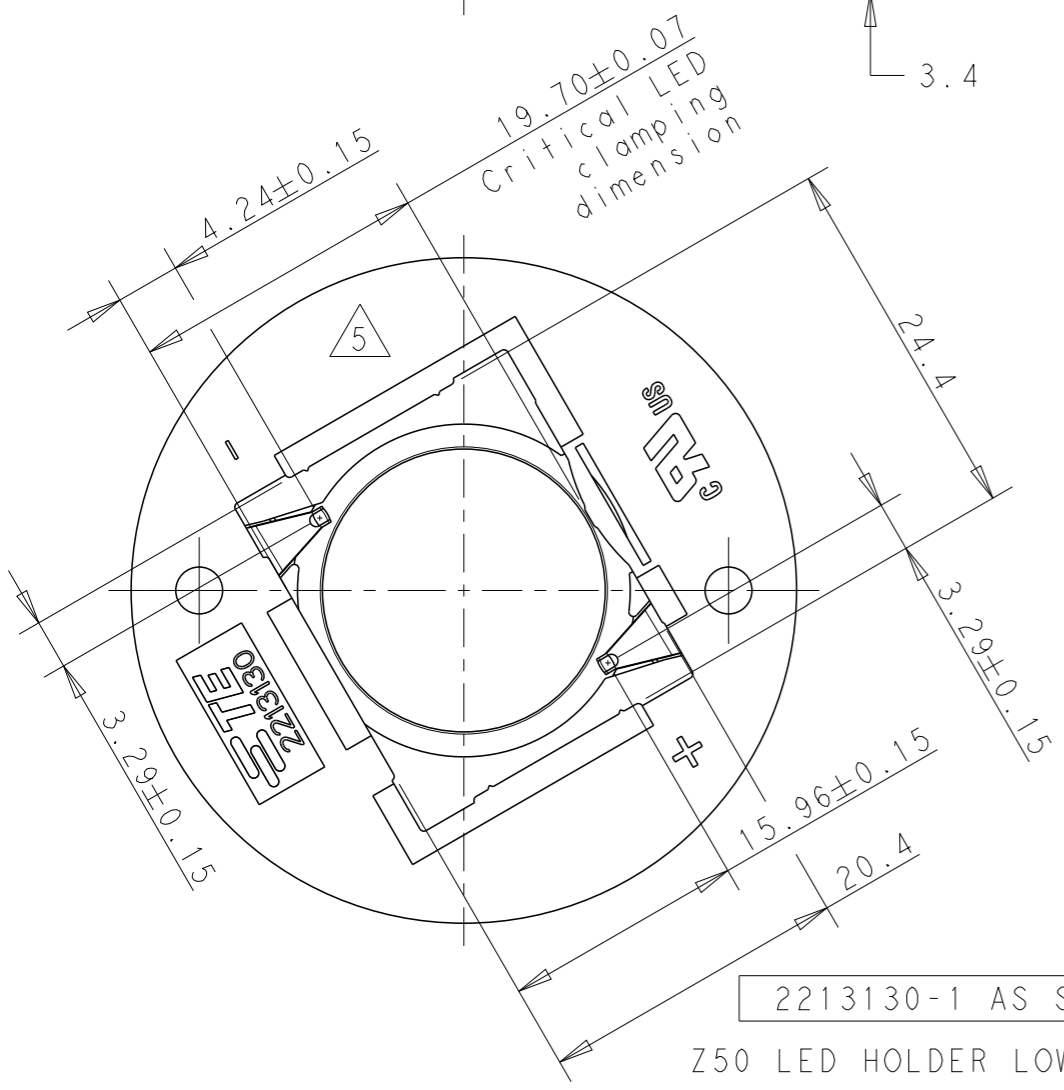
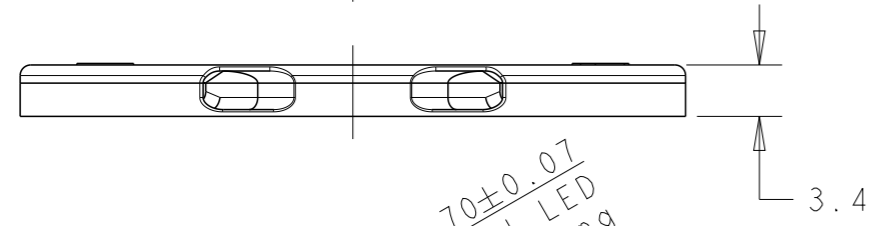
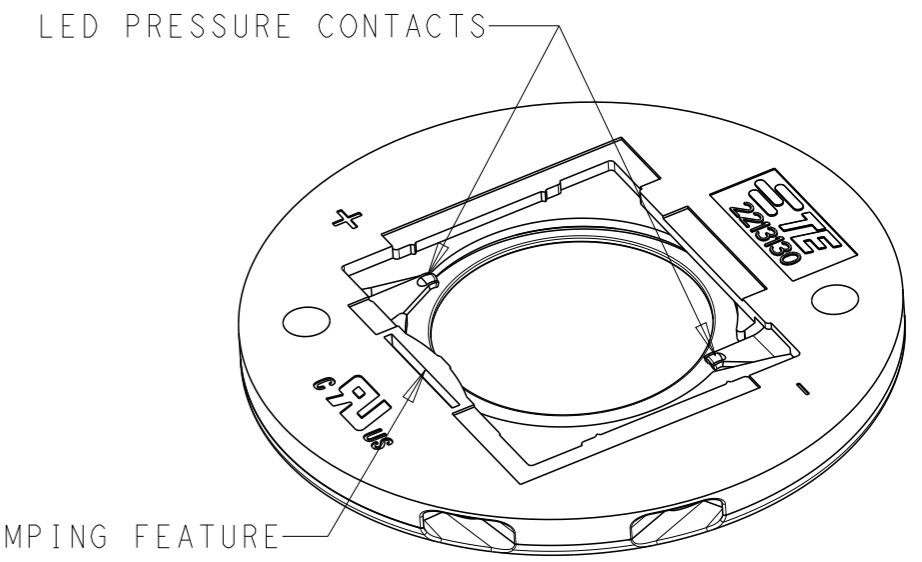
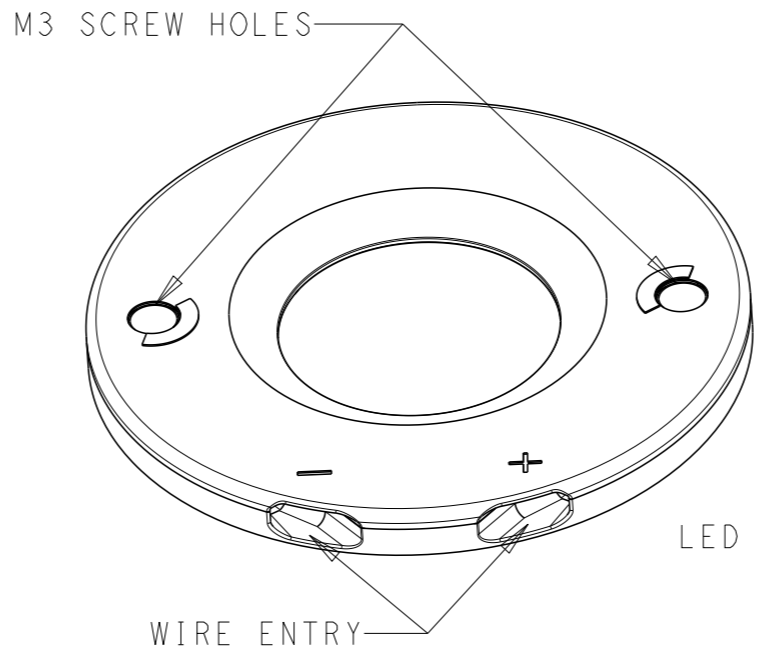
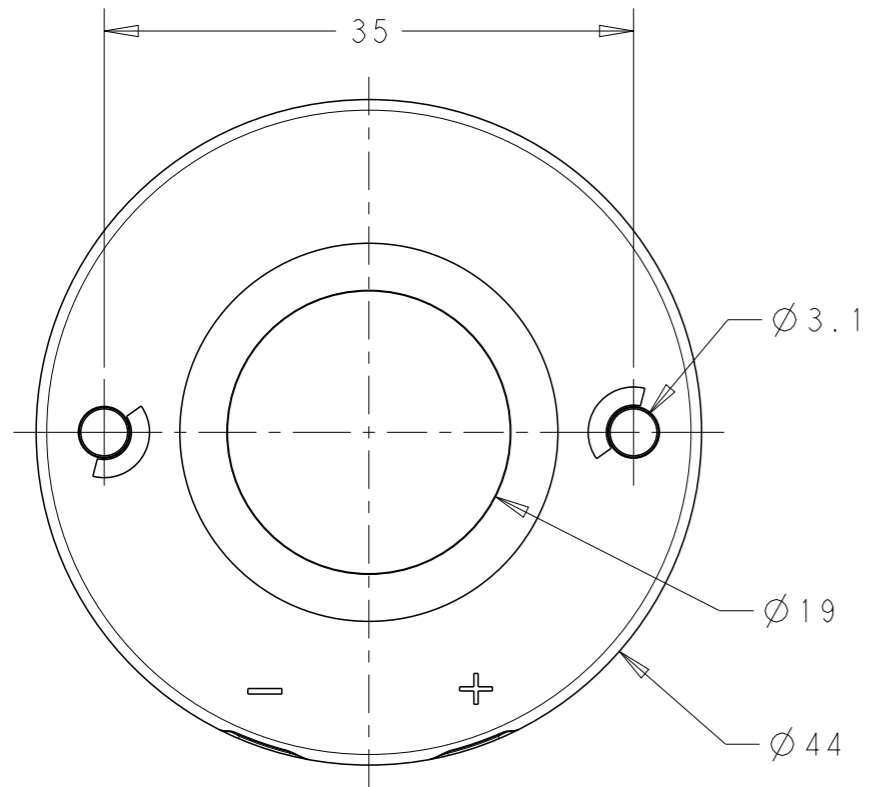


THIS DRAWING IS UNPUBLISHED. RELEASED FOR PUBLICATION 20
 © COPYRIGHT 20 BY - ALL RIGHTS RESERVED.

REVISIONS					
P	LTR	DESCRIPTION	DATE	DWN	APVD
	J	REVISED PER ECR-19-003623	13MAR2019	JS	DD
	J1	REVISED PER ECR-19-007929	28MAY2019	SR	DD



- NOTES:
- MATERIALS:
 HOUSING: GLASS FILLED PBT, HALOGEN FREE FLAME RETARDANT
 COLOR: NATURAL/WHITE
 CONTACTS: SILVER PLATED COPPER ALLOY
 FOR SOLID AND STANDARD WIRE AWG 22-18
 - COMPLIES WITH DIRECTIVE 2002/95/EC (ROHS)
 - M3 SCREW TO BE USED FOR MOUNTING
 - DATE CODE YY-WW-D ANY WHERE EXCEPT OVER LOGO OR +/- SIGN.
 - FOR COB-TO-HOLDER CROSS REFERENCE, REFER TO APPLICATION SPECIFICATION 114-32208.
 - OBSELETE.

2-2213130-1	Z50 LED HOLDER LOW PROFILE 2024	2x10 PIECES IN TRAY AND BOX 25 BOXES IN SHIPPING BOX
1-2213130-2	Z50 LED HOLDER STANDARD PROFILE 2024	2x10 PIECES IN TRAY AND BOX 25 BOXES IN SHIPPING BOX
1-2213130-1	Z50 LED HOLDER LOW PROFILE 2024	2x10 PIECES IN TRAY AND BOX 25 BOXES IN SHIPPING BOX
2213130-2	Z50 LED HOLDER STANDARD PROFILE 2024	5x4 PIECES IN TRAY 25 TRAYS IN SHIPPING BOX
2213130-1	Z50 LED HOLDER LOW PROFILE 2024	5x4 PIECES IN TRAY 35 TRAYS IN SHIPPING BOX
PART NO	DESCRIPTION	PACKAGING

THIS DRAWING IS A CONTROLLED DOCUMENT.

DIMENSIONS: mm

TOLERANCES UNLESS OTHERWISE SPECIFIED:

0 PLC	±
1 PLC	±
2 PLC	±
3 PLC	±
4 PLC	±
ANGLES	±
FINISH	-

MATERIAL: -

THIS DRAWING IS A CONTROLLED DOCUMENT.

DWN: M.V.ESSSEN 28AUG2013

CHK: M.V.ESSSEN 28AUG2013

APVD: O.I.FIUNSE 28AUG2013

PRODUCT SPEC: 108-133008

APPLICATION SPEC: 114-32048

WEIGHT: -

CUSTOMER DRAWING

NAME: LUMAWISE Z50 LED HOLDER 2024

SIZE: A3

CAGE CODE: 00779

DRAWING NO: C-2213130

RESTRICTED TO: -

SCALE: 2:1

SHEET: 1 OF 3

REV: J1

STE TE Connectivity

THIS DRAWING IS UNPUBLISHED.

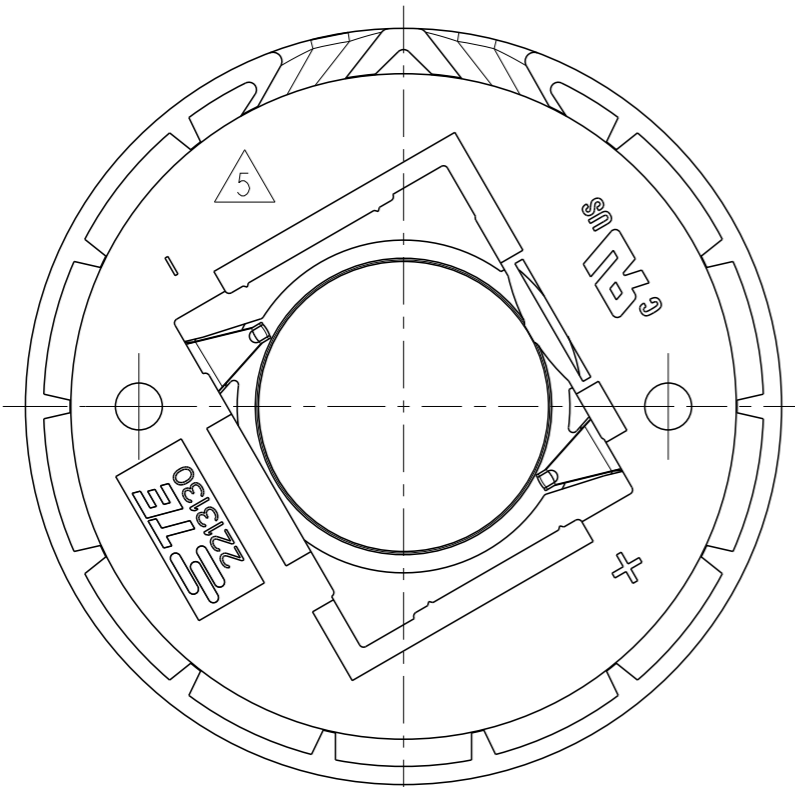
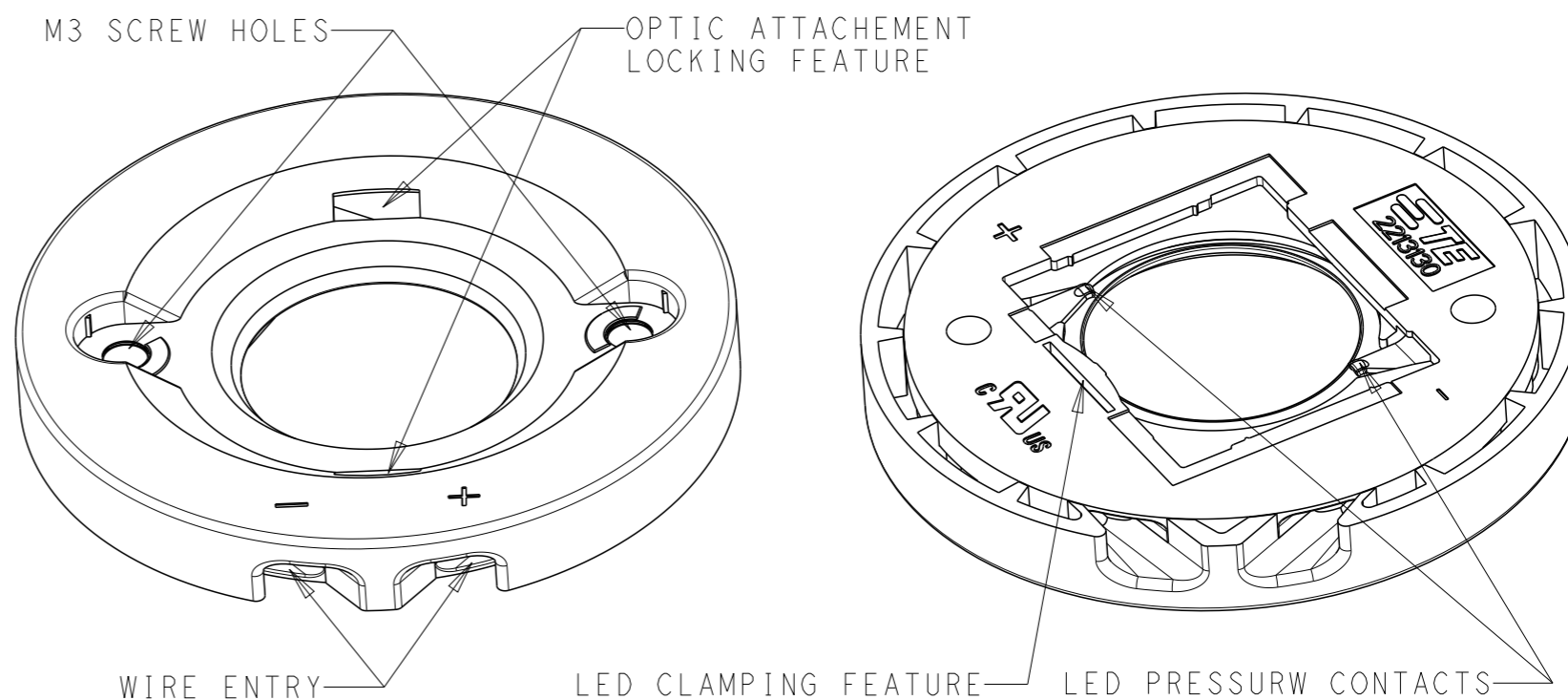
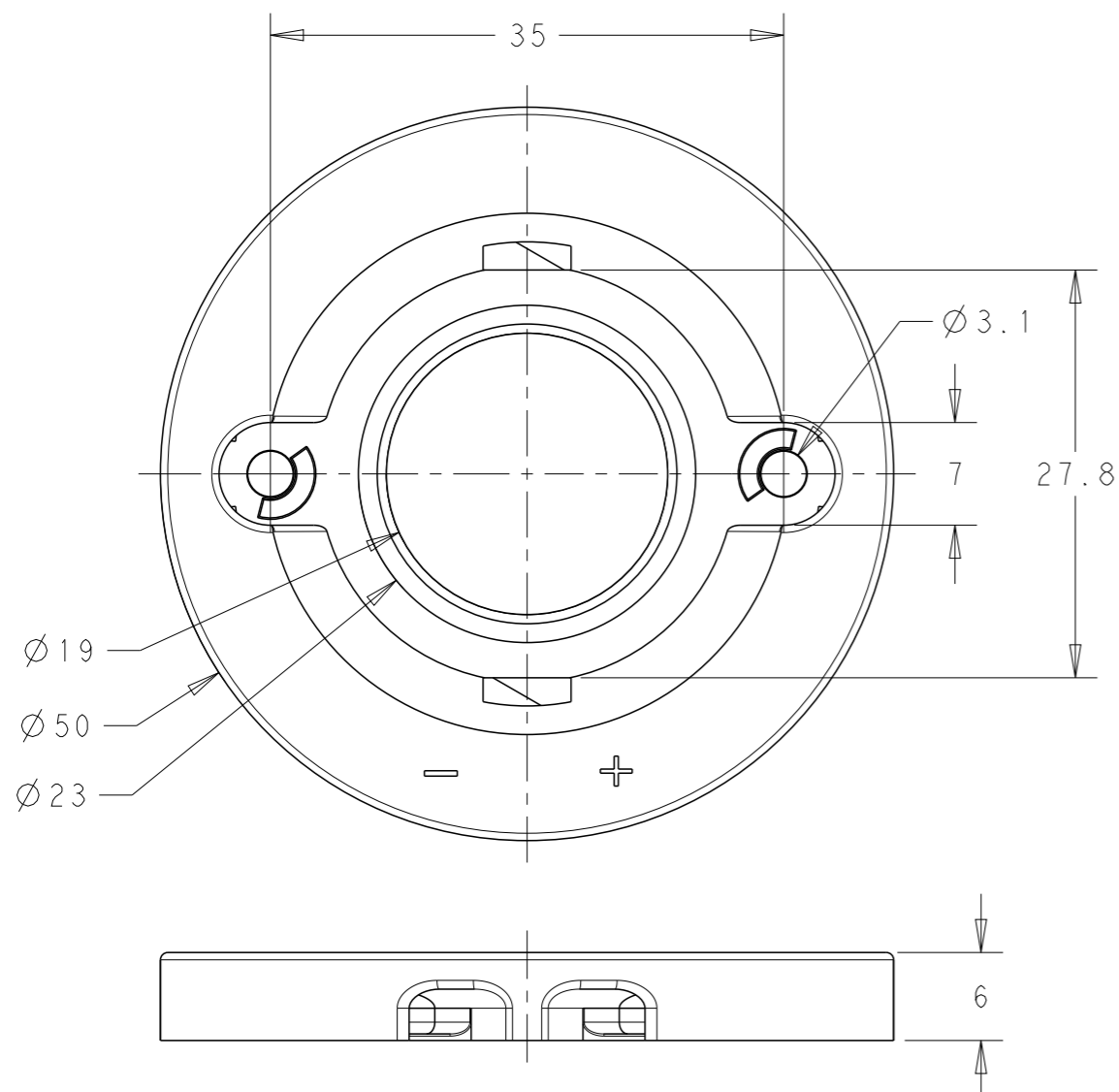
RELEASED FOR PUBLICATION

20

© COPYRIGHT 20 BY - ALL RIGHTS RESERVED.


REVISIONS

P	LTR	DESCRIPTION	DATE	DWN	APVD
-	-	SEE SHEET 1	-	-	-



2213130-2 AS SHOWN

Z50 LED HOLDER STANDARD PROFILE

THIS DRAWING IS A CONTROLLED DOCUMENT.		DWN M.V.ESSSEN 28AUG2013	 TE Connectivity															
DIMENSIONS: mm		CHK M.V.ESSSEN 28AUG2013			NAME LUMAWISE Z50 LED HOLDER 2024													
TOLERANCES UNLESS OTHERWISE SPECIFIED:		APVD O.IEIJNSE 28AUG2013			PRODUCT SPEC 108-133008													
<table border="0"> <tr><td>0 PLC</td><td>±·</td></tr> <tr><td>1 PLC</td><td>±·</td></tr> <tr><td>2 PLC</td><td>±·</td></tr> <tr><td>3 PLC</td><td>±·</td></tr> <tr><td>4 PLC</td><td>±·</td></tr> <tr><td>ANGLES</td><td>±·</td></tr> </table>		0 PLC			±·	1 PLC	±·	2 PLC	±·	3 PLC	±·	4 PLC	±·	ANGLES	±·	APPLICATION SPEC 114-32048	SIZE A3	CAGE CODE 00779
0 PLC	±·																	
1 PLC	±·																	
2 PLC	±·																	
3 PLC	±·																	
4 PLC	±·																	
ANGLES	±·																	
MATERIAL -	FINISH -	WEIGHT -	CUSTOMER DRAWING		SCALE 2:1	SHEET 2 OF 3	REV J1											