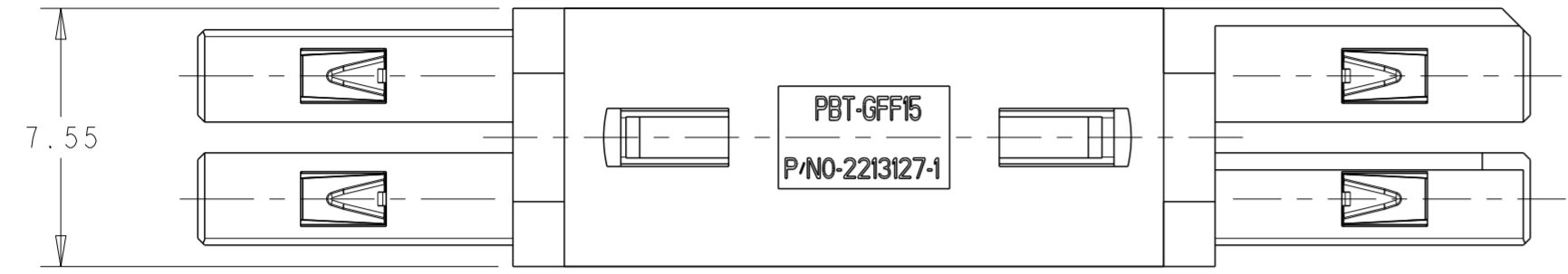


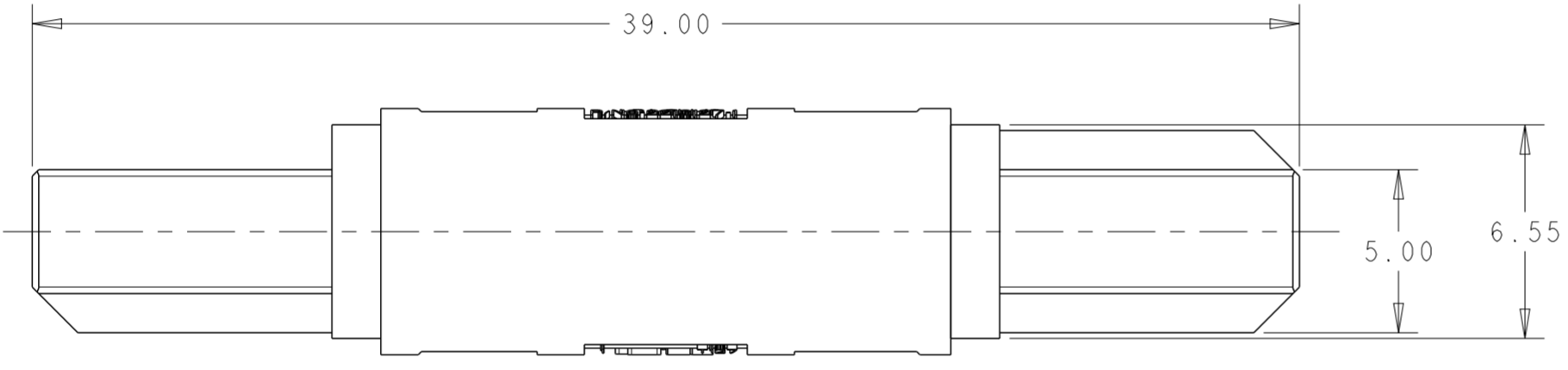
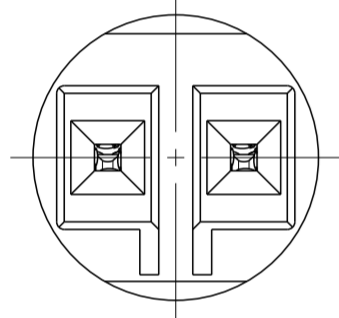
THIS DRAWING IS UNPUBLISHED. RELEASED FOR PUBLICATION 20  
 © COPYRIGHT 20 BY - ALL RIGHTS RESERVED.

| LOC |     | DIST        |           | REVISIONS |      |  |  |
|-----|-----|-------------|-----------|-----------|------|--|--|
| P   | LTR | DESCRIPTION | DATE      | DWN       | APVD |  |  |
| -   | -   | A1          | 03JUL2013 | RS        | DD   |  |  |
|     |     |             |           |           |      |  |  |
|     |     |             |           |           |      |  |  |

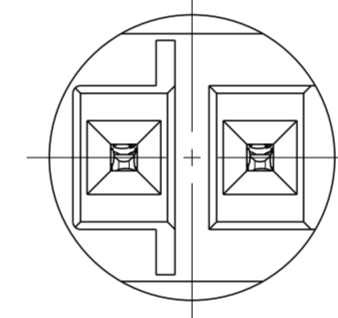


1 MATERIAL:  
 CONNECTOR SYSTEM TUBE: PBT-GFF15  
 COLOUR: WHITE  
 PLUG HOUSING: PBT-GFF15  
 COLOUR: WHITE  
 RECEPTACLE CONTACT:  
 CONTACT: CuNiSi  
 SPRING: X10CrNi188  
 SQUARE WIRE: CuSn6

POL. KEY HV-3

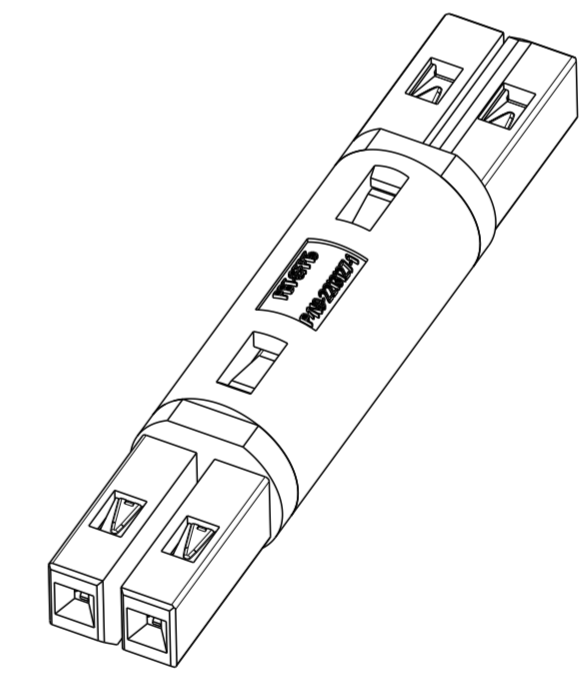
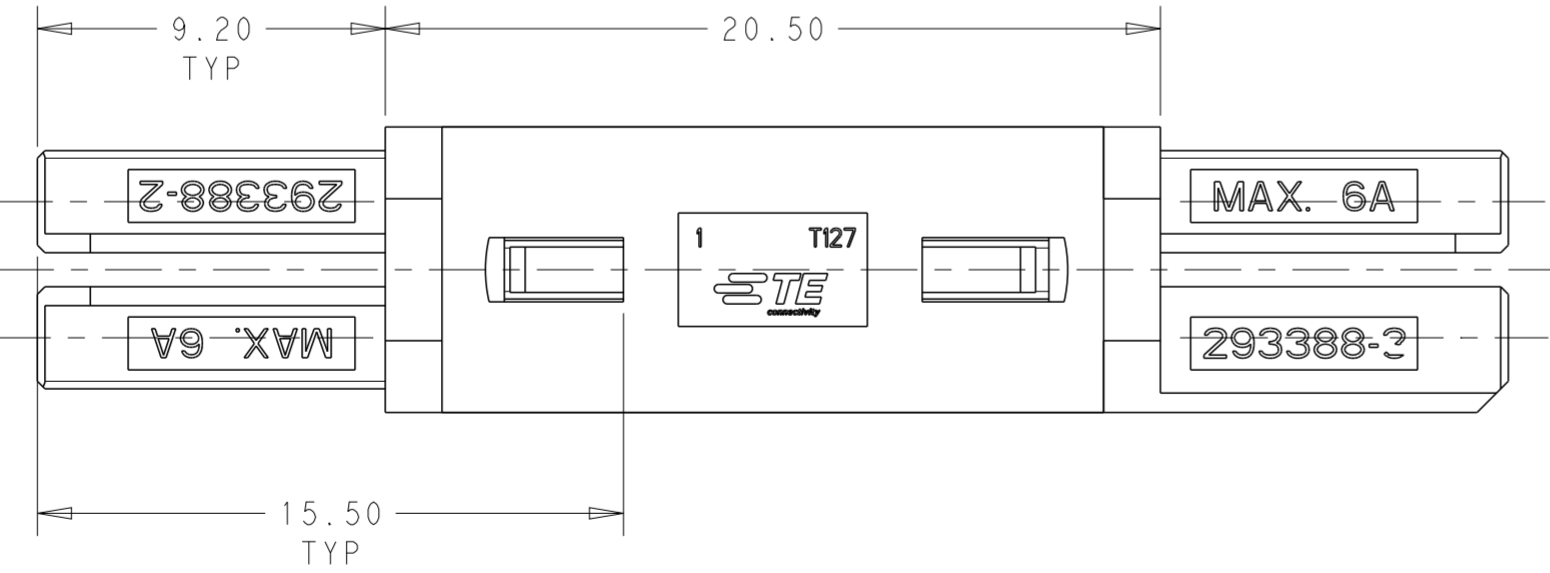


POL. KEY HV-4



2 FINISH:  
 RECEPTACLE CONTACT:  
 CONTACT: TIN  
 SPRING: NONE  
 SQUARE WIRE: TIN OVER NICKEL

3 OBSOLETE



3D VIEW  
 SCALE 3:1

2213142-3 SHOWN

|              |             |
|--------------|-------------|
| HV-3 & HV-4  | 2213142-3   |
| LV-2         | 2213142-2   |
| HV-3         | 2213142-1   |
| POLARIZATION | PART NUMBER |

|  |              |                         |                                    |                 |
|--|--------------|-------------------------|------------------------------------|-----------------|
| THIS DRAWING IS A CONTROLLED DOCUMENT. |              | DWN RAVI.S 01AUG2012    | TE Connectivity                    |                 |
| DIMENSIONS: mm                         |              | CHK D.DECKER 01AUG2012  |                                    |                 |
| TOLERANCES UNLESS OTHERWISE SPECIFIED: |              | APVD D.DECKER 01AUG2012 | NAME MALE-TO-MALE BRIDGE CONNECTOR |                 |
| 0 PLC ±                                | 1 PLC ±0.5   | PRODUCT SPEC            | -                                  |                 |
| 2 PLC ±0.13                            | 3 PLC ±0.013 | APPLICATION SPEC        | -                                  |                 |
| 4 PLC ±0.0001                          | ANGLES ±     | FINISH                  | -                                  |                 |
| MATERIAL 1 -                           | 2 -          | WEIGHT                  | SIZE A2                            | CAGE CODE 00779 |
| Customer Drawing                       |              | SCALE 5:1               | DRAWING NO C-2213142               | RESTRICTED TO   |
|  |              | SHEET 1 OF 1            | REV A1                             |                 |