

THIS DRAWING IS UNPUBLISHED.

RELEASED FOR PUBLICATION

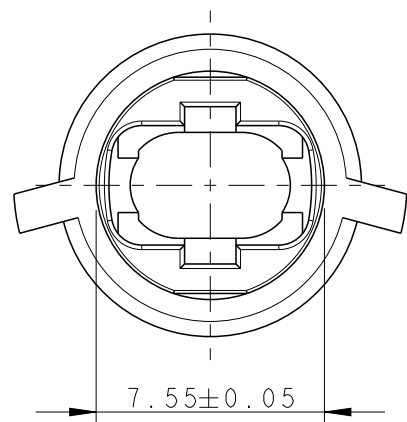
20

© COPYRIGHT 20 BY -

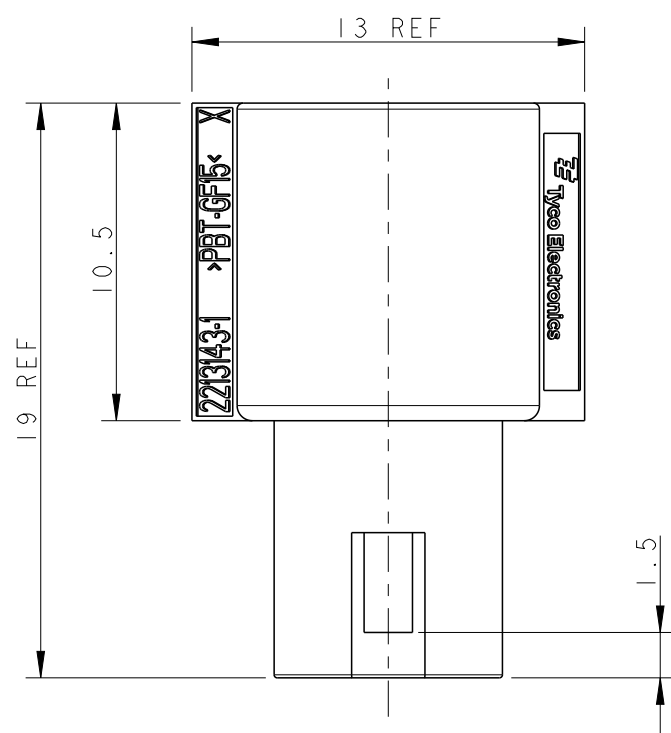
ALL RIGHTS RESERVED.

LOC	DIST
-	-

REVISIONS					
P	LTR	DESCRIPTION	DATE	DWN	APVD
	A	REVISED PER ECR-13-000946	25JAN2013	RS	DD



1 MATERIAL: PBT-GF15

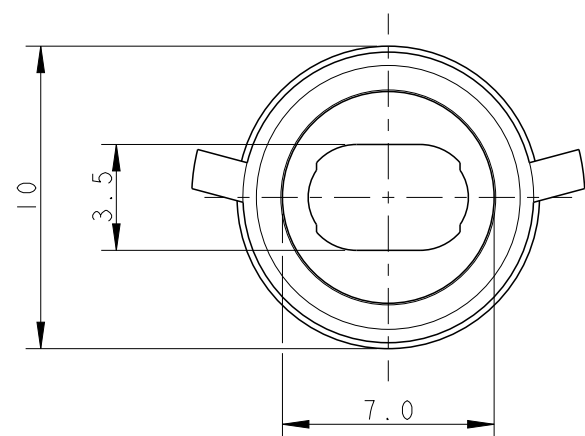
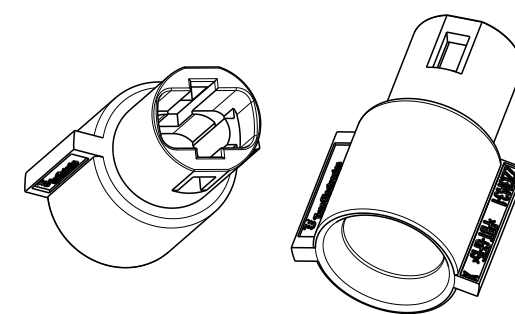


MOLD CAVITY ID


RAW MATERIAL

TE PART NUMBER

TE LOGO



2213143-1
PART NUMBER

THIS DRAWING IS A CONTROLLED DOCUMENT.		DWN RAVI.S 14SEP2012	 TE Connectivity					
DIMENSIONS: mm		CHK D.DECKER 14SEP2012				NAME		
TOLERANCES UNLESS OTHERWISE SPECIFIED:		APVD D.DECKER 14SEP2012				MINI HVL LIGHTING SYSTEM 7.5mm		
0 PLC ±- 1 PLC ±0.5 2 PLC ±0.13 3 PLC ±0.013 4 PLC ±0.0001 ANGLES ±-		PRODUCT SPEC				CHASSIS MOUNT HOUSING SUPPORT FOR SVT WIRE.		
MATERIAL - 1		FINISH -	APPLICATION SPEC	SIZE	CAGE CODE	DRAWING NO	RESTRICTED TO	
			WEIGHT	A300779	C-2213143			
			Customer Drawing	SCALE 4:1	SHEET 1 OF 1	REV A		