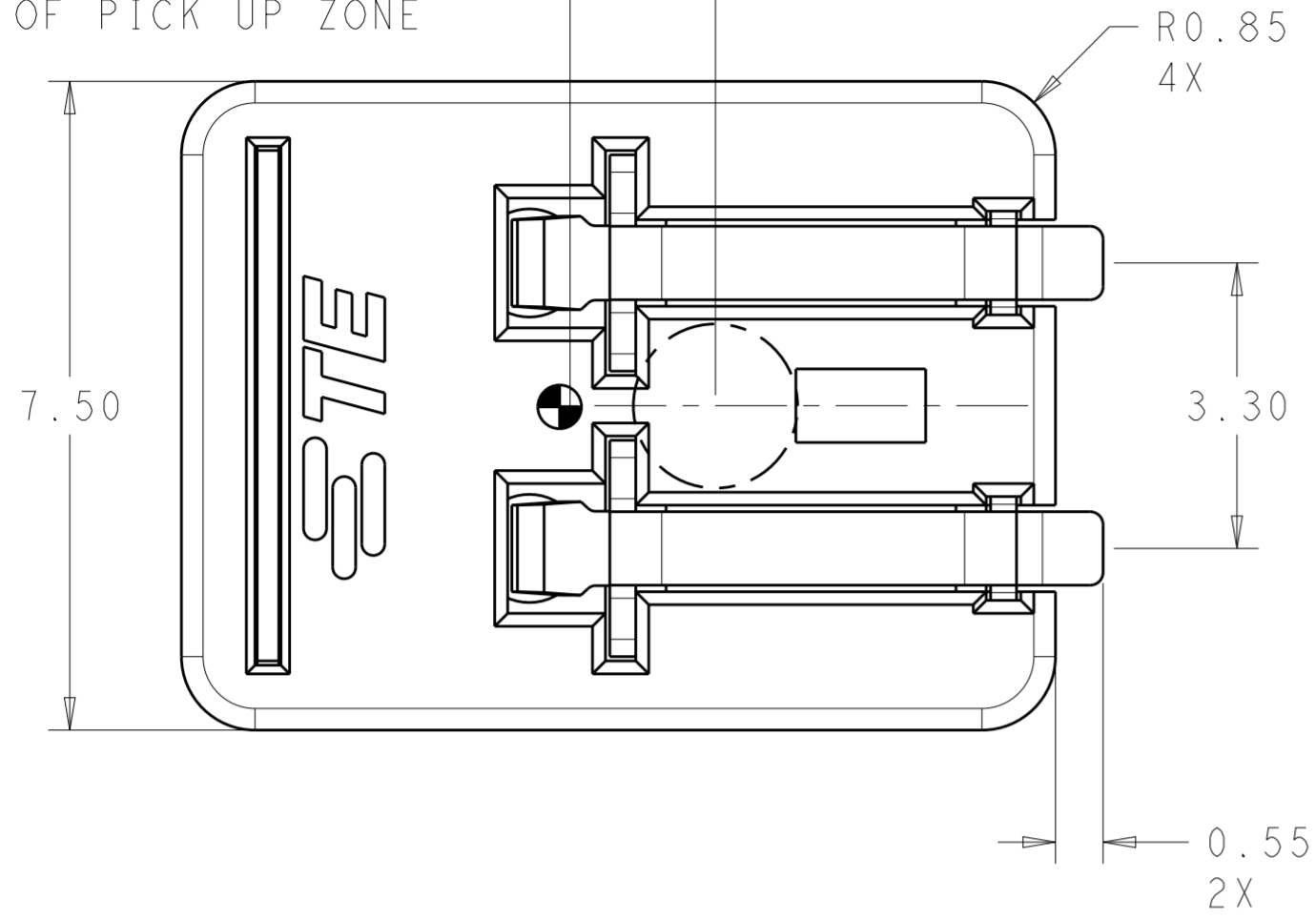


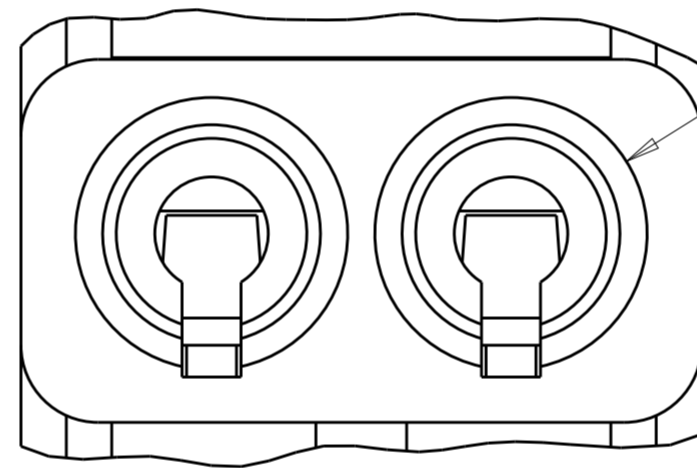
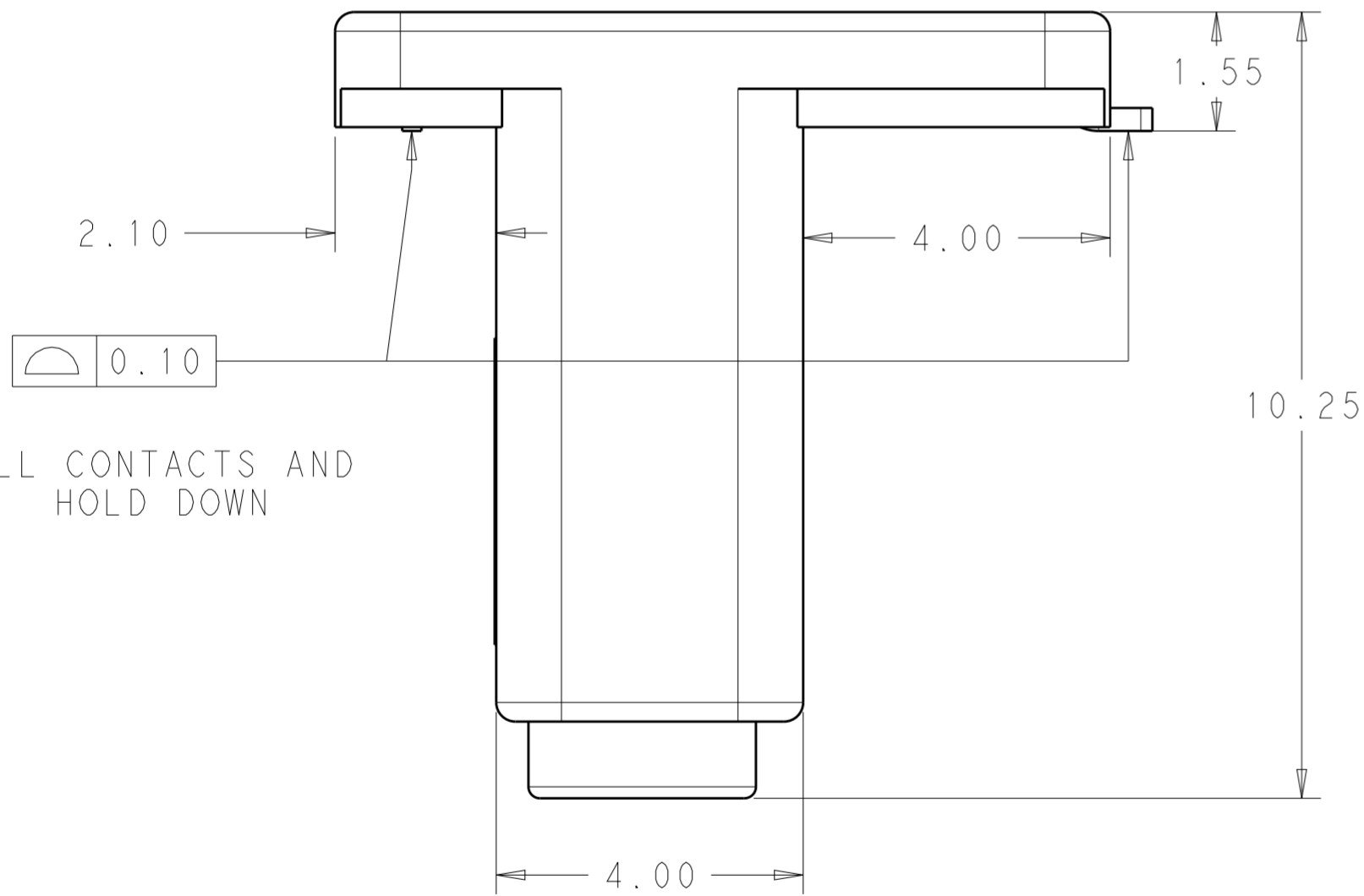
THIS DRAWING IS UNPUBLISHED. RELEASED FOR PUBLICATION 20  
 © COPYRIGHT 20 BY - ALL RIGHTS RESERVED.

| LOC |     | DIST                      |           | REVISIONS |      |  |  |
|-----|-----|---------------------------|-----------|-----------|------|--|--|
| P   | LTR | DESCRIPTION               | DATE      | DWN       | APVD |  |  |
|     | A   | REVISED PER ECR-16-004597 | 12APR2016 | RS        | DD   |  |  |

1.68 DISTANCE FROM COG TO CENTER OF PICK UP ZONE

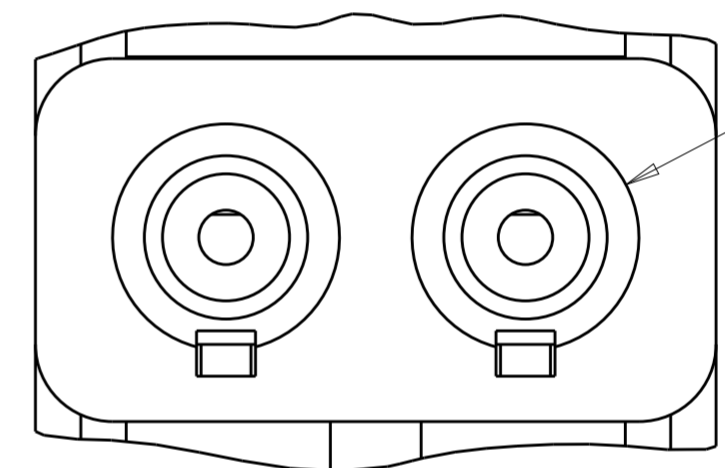


- 1 MATERIALS AND FINISH:  
 -HOUSING AND COVER: THERMOPLASTIC, COLOR: NATURAL  
 -CONTACTS: COPPER ALLOY, FINISH: Sn OVER Ni  
 -HOLD DOWN: COPPER ALLOY, FINISH: Sn OVER Ni
- 2. MUST COMPLY WITH DIRECTIVE 2002/95/EC (ROHS)
- 3. NOTE DELETED.
- 4 TO BE USED WITH UL1007 WIRE 22-18AWG SOLID, 20-18 AWG BONDED, 18 AWG STRANDED.
- 5. PACKAGED IN TAPE AND REEL
- 6 TO BE USED WITH UL1007 WIRE 26-24 AWG SOLID.
- 7 DIMENSION SHOWN IS RECOMMENDED SOLDER MASK OPENING



2213189-1, -3

VIEW E (ROTATED 90° CW)



2213189-2, -4

2213189-1, -2

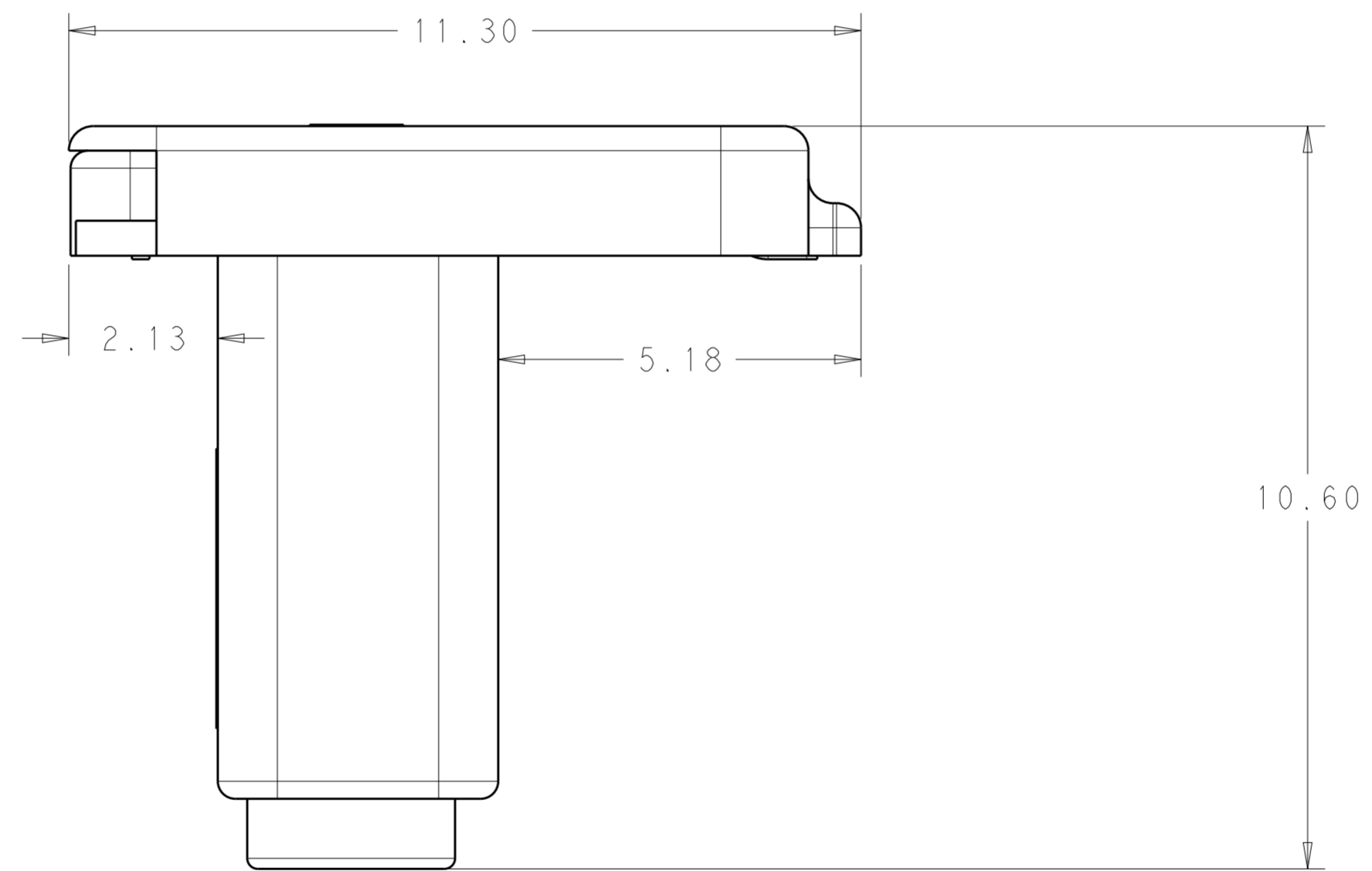
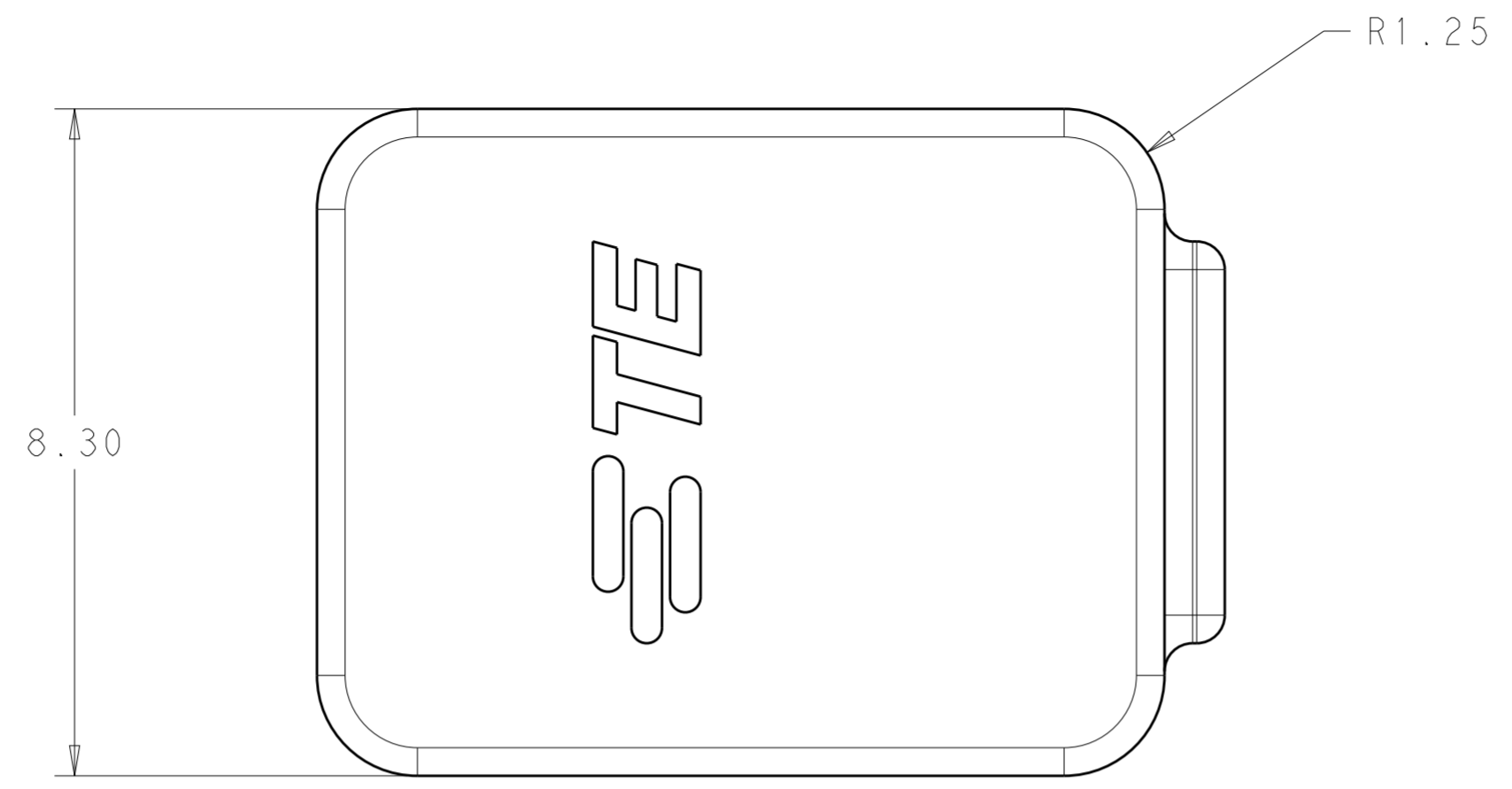
|         |       |             |            |           |
|---------|-------|-------------|------------|-----------|
| 26-24   | ∅2.50 | WITH COVER  | 6          | 2213189-4 |
| 22-18   | ∅3.00 | WITH COVER  | 4          | 2213189-3 |
| 26-24   | ∅2.50 | W/O COVER   | 6          | 2213189-2 |
| 22-18   | ∅3.00 | W/O COVER   | 4          | 2213189-1 |
| MARKING | DIM X | DESCRIPTION | WIRE RANGE | PART NO.  |

SEE VIEW E

|                                        |  |                                                                                                                              |                            |                                                  |
|----------------------------------------|--|------------------------------------------------------------------------------------------------------------------------------|----------------------------|--------------------------------------------------|
| THIS DRAWING IS A CONTROLLED DOCUMENT. |  | DWN<br>C. DAILY 25OCT2012                                                                                                    | <b>STE</b> TE Connectivity |                                                  |
|                                        |  | CHK<br>C. GINGRICH 25OCT2012                                                                                                 |                            |                                                  |
| DIMENSIONS:<br>mm                      |  | TOLERANCES UNLESS OTHERWISE SPECIFIED:<br>0 PLC ±<br>1 PLC ±0.2<br>2 PLC ±0.15<br>3 PLC ±<br>4 PLC ±<br>ANGLES ±2°<br>FINISH |                            | NAME<br>ASSEMBLY, POKE-IN INVERTED THROUGH BOARD |
| MATERIAL                               |  | PRODUCT SPEC<br>108-32040                                                                                                    | SIZE<br>A200779            | RESTRICTED TO                                    |
|                                        |  | APPLICATION SPEC<br>114-32054                                                                                                | DRAWING NO<br>C-2213189    | SCALE 6:1 SHEET 1 OF 4 REV A                     |
|                                        |  | WEIGHT                                                                                                                       | CUSTOMER DRAWING           |                                                  |

THIS DRAWING IS UNPUBLISHED. RELEASED FOR PUBLICATION 20  
 © COPYRIGHT 20 BY - ALL RIGHTS RESERVED.

| LOC |     | DIST        |      | REVISIONS |      |  |  |
|-----|-----|-------------|------|-----------|------|--|--|
| P   | LTR | DESCRIPTION | DATE | DWN       | APVD |  |  |
| -   | -   | SEE SHEET 1 | -    | -         | -    |  |  |
|     |     |             |      |           |      |  |  |
|     |     |             |      |           |      |  |  |

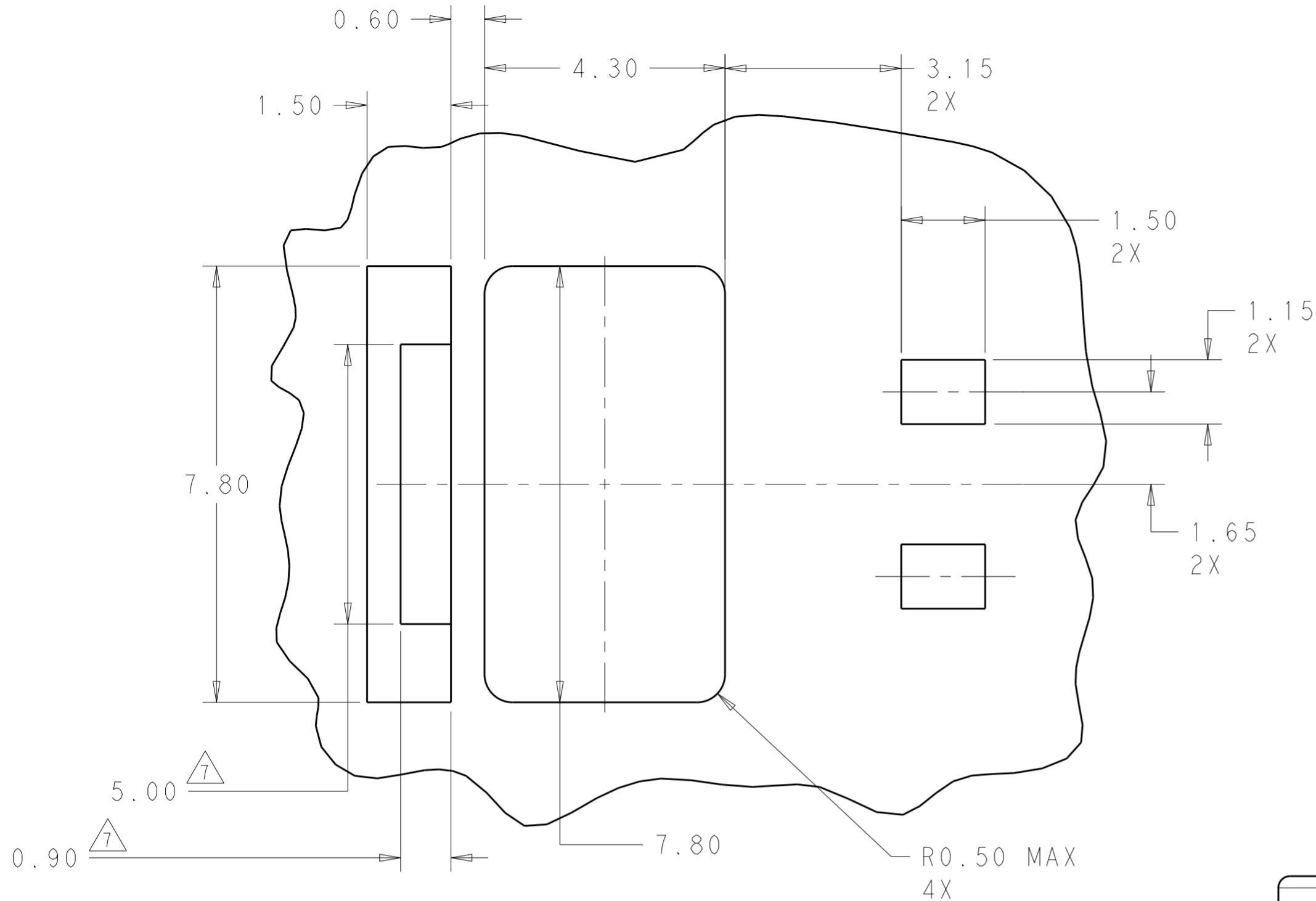


2213189-3, -4

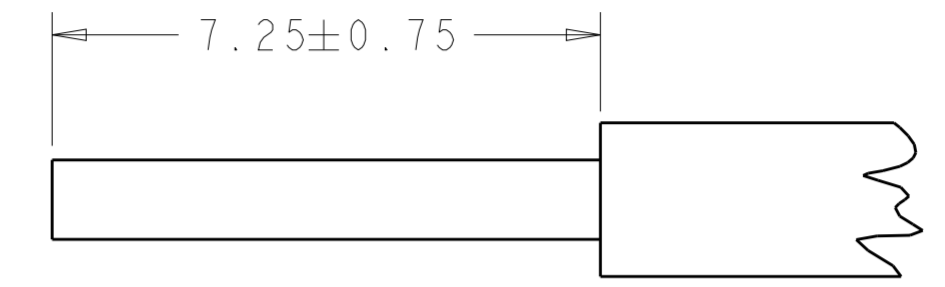
|                                                                                                                                 |  |                                 |                                                     |                 |
|---------------------------------------------------------------------------------------------------------------------------------|--|---------------------------------|-----------------------------------------------------|-----------------|
| THIS DRAWING IS A CONTROLLED DOCUMENT.                                                                                          |  | DWN<br>C. DAILY<br>25OCT2012    | <b>STC</b> TE Connectivity                          |                 |
|                                                                                                                                 |  | CHK<br>C. GINGRICH<br>25OCT2012 |                                                     |                 |
| DIMENSIONS:<br>mm                                                                                                               |  | APVD<br>-                       | NAME<br>ASSEMBLY,<br>POKE-IN INVERTED THROUGH BOARD |                 |
| TOLERANCES UNLESS OTHERWISE SPECIFIED:<br>0 PLC ±<br>1 PLC ±0.2<br>2 PLC ±0.15<br>3 PLC ±<br>4 PLC ±<br>ANGLES ±2A*<br>FINISH - |  | PRODUCT SPEC<br>108-32040       | SIZE<br>A200779                                     |                 |
| MATERIAL<br>-                                                                                                                   |  | APPLICATION SPEC<br>114-32054   | DRAWING NO<br>C-2213189                             |                 |
|                                                                                                                                 |  | WEIGHT<br>-                     | RESTRICTED TO<br>-                                  |                 |
|                                                                                                                                 |  | Customer Drawing                | SCALE<br>6:1                                        | SHEET<br>2 OF 4 |
|                                                                                                                                 |  |                                 | REV<br>A                                            |                 |

THIS DRAWING IS UNPUBLISHED. RELEASED FOR PUBLICATION 20  
 © COPYRIGHT 20 BY - ALL RIGHTS RESERVED.

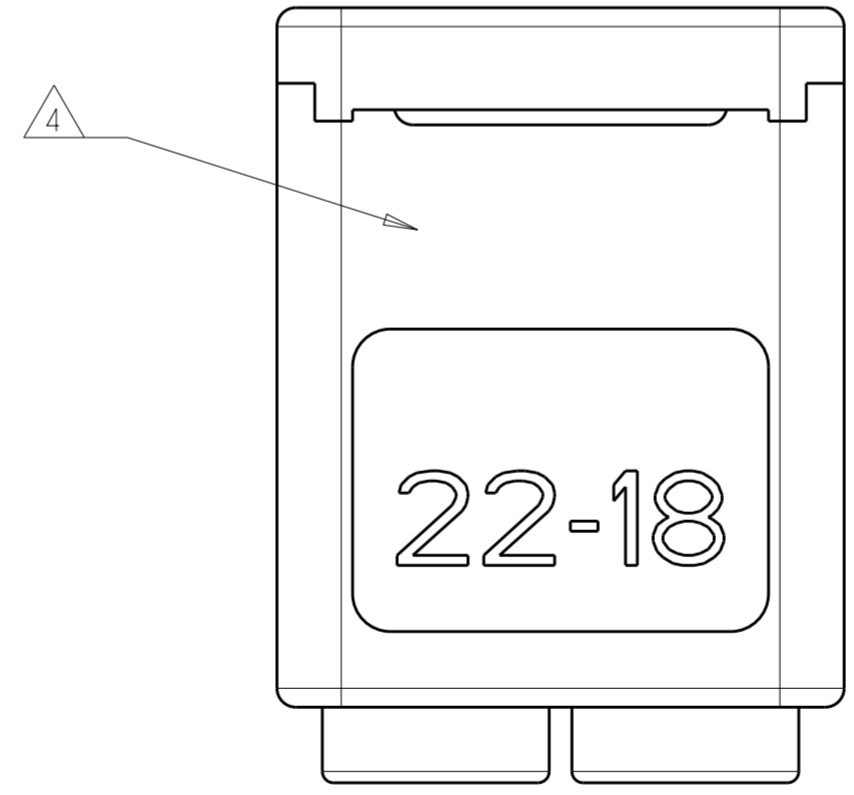
| LOC | DIST | REVISIONS   |      |     |      |
|-----|------|-------------|------|-----|------|
| P   | LTR  | DESCRIPTION | DATE | DWN | APVD |
| -   | -    | SEE SHEET 1 | -    | -   | -    |
|     |      |             |      |     |      |
|     |      |             |      |     |      |



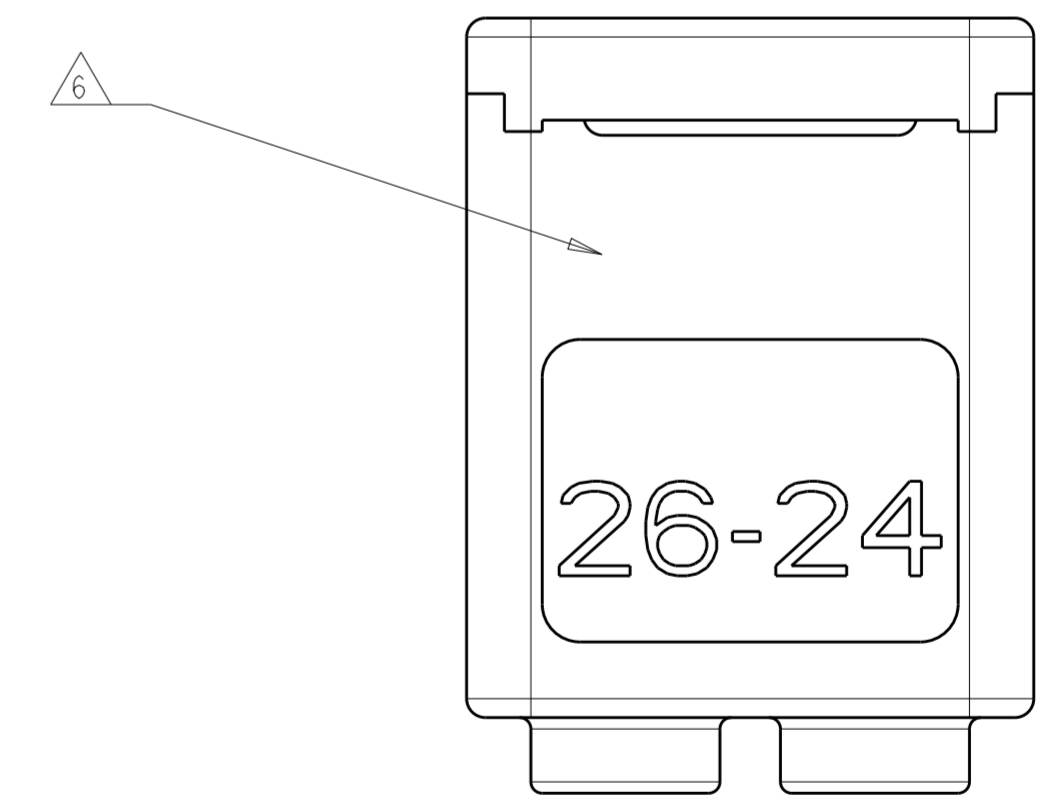
MOUNTING PCB LAYOUT  
 SCALE 12:1



WIRE PREPARATION DETAIL  
 SCALE 10:1



2213189-1, -3  
 SCALE 10:1



2213189-2, -4  
 SCALE 10:1

|                                        |                                                                                       |                               |                                                     |                         |
|----------------------------------------|---------------------------------------------------------------------------------------|-------------------------------|-----------------------------------------------------|-------------------------|
| THIS DRAWING IS A CONTROLLED DOCUMENT. |                                                                                       | DWN<br>C. DAILY 25OCT2012     | <b>STE</b> TE Connectivity                          |                         |
|                                        |                                                                                       | CHK<br>C. GINGRICH 25OCT2012  |                                                     |                         |
| DIMENSIONS:                            | TOLERANCES UNLESS OTHERWISE SPECIFIED:                                                | APVD<br>-                     | NAME<br>ASSEMBLY,<br>POKE-IN INVERTED THROUGH BOARD |                         |
| mm                                     | 0 PLC ±<br>1 PLC ±0.2<br>2 PLC ±0.15<br>3 PLC ±<br>4 PLC ±<br>ANGLES ±2A°<br>FINISH - | PRODUCT SPEC<br>108-32040     | RESTRICTED TO<br>-                                  |                         |
| MATERIAL                               | -                                                                                     | APPLICATION SPEC<br>114-32054 | SIZE<br>A200779                                     | DRAWING NO<br>C-2213189 |
|                                        |                                                                                       | WEIGHT<br>-                   | SCALE<br>2:1                                        | SHEET<br>3 OF 4         |
|                                        |                                                                                       | Customer Drawing              | REV<br>A                                            |                         |