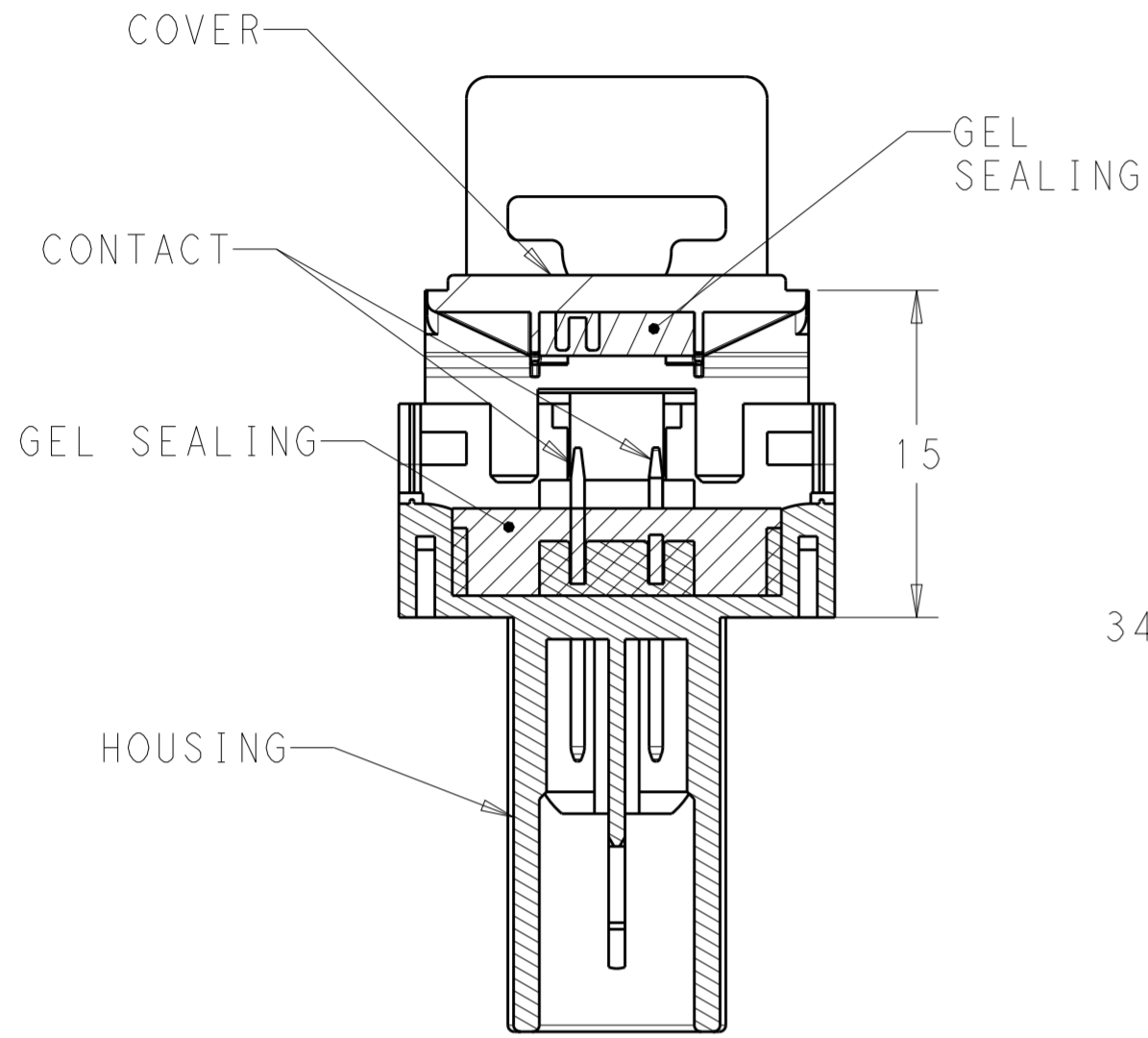
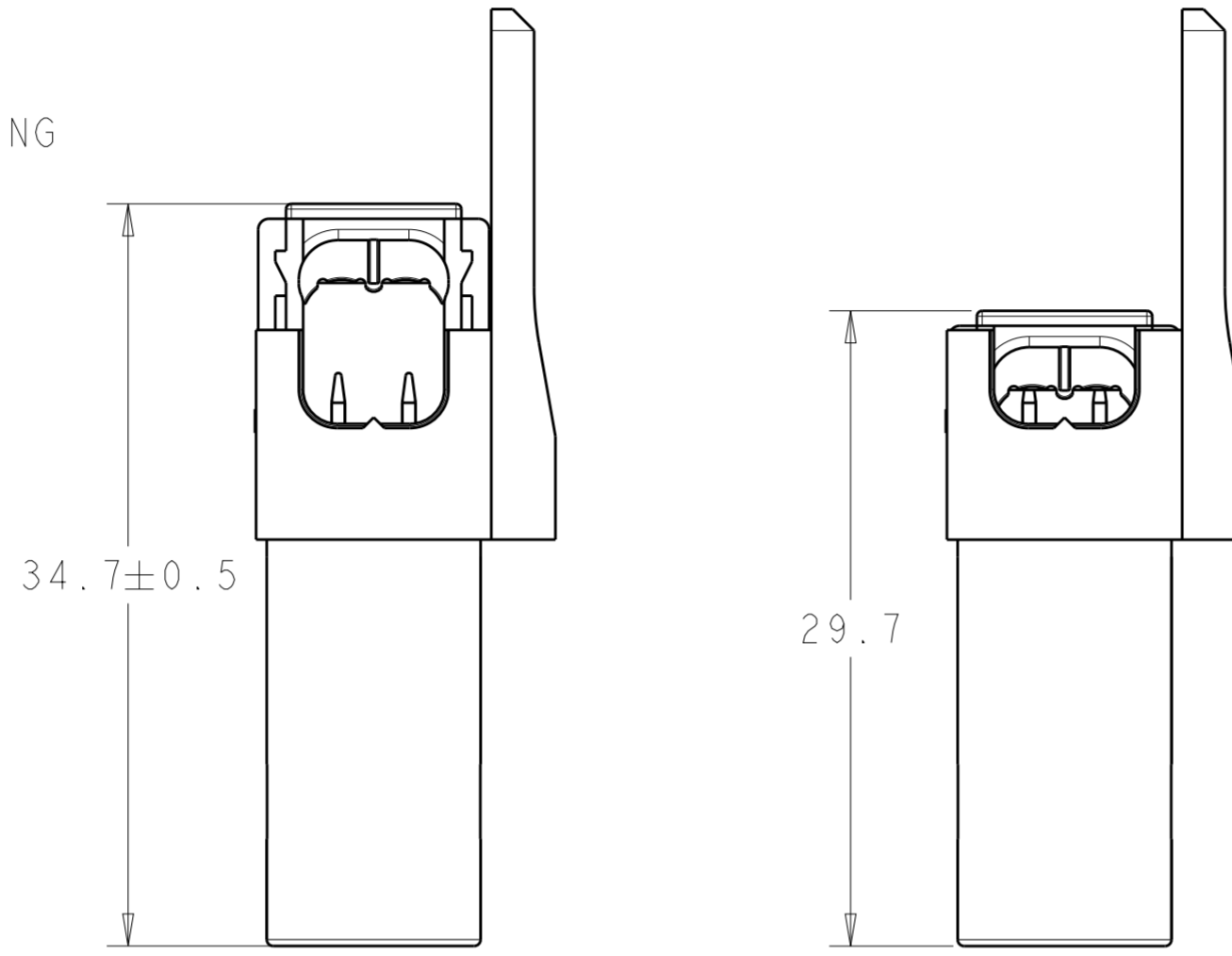


THIS DRAWING IS UNPUBLISHED. RELEASED FOR PUBLICATION 20
 © COPYRIGHT 20 BY - ALL RIGHTS RESERVED.

LOC		DIST		REVISIONS			
P	LTR	DESCRIPTION	DATE	DWN	APVD		
	A	REVISED PER ECR-15-010341	24JUL2015	RS	PO		
	A1	REVISED PER ECR-15-011381	05AUG2015	RS	JL		
	B	REVISED PER ECR-17-008257	12JUN2017	SK	JL		



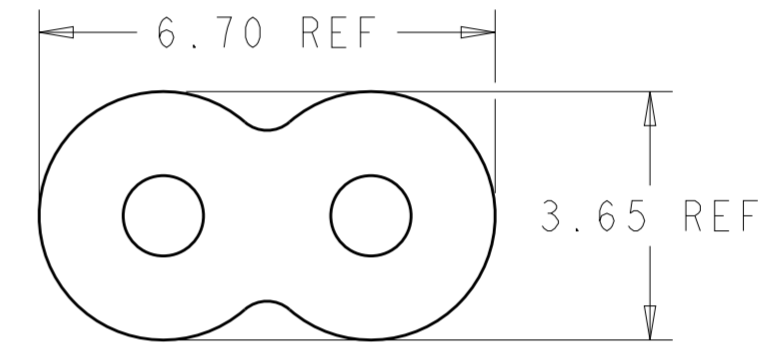
SECTION A-A



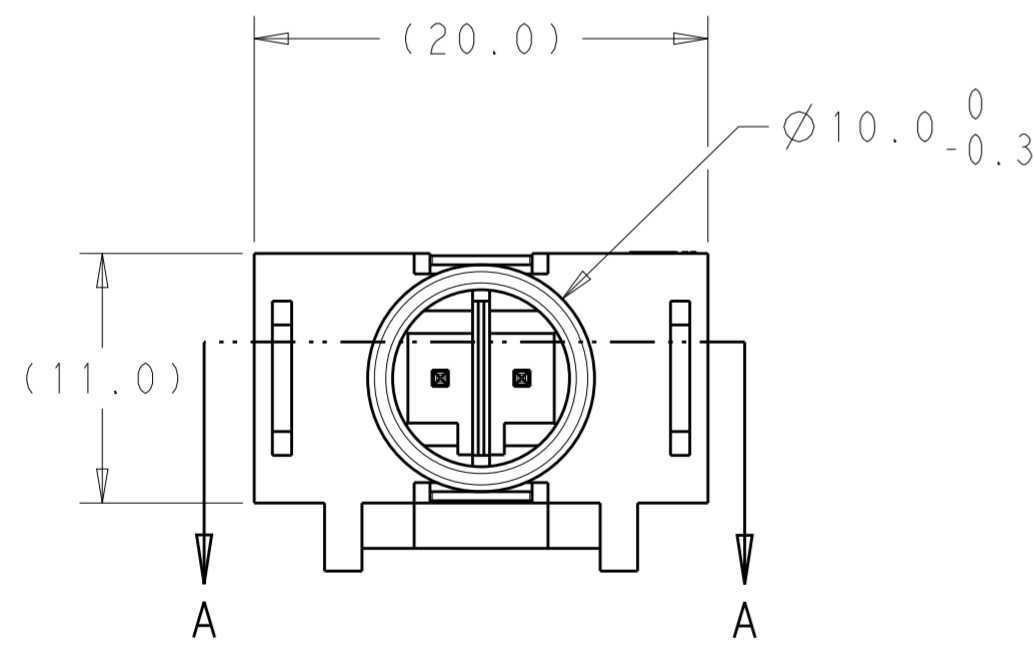
PRE-LOCKING CONDITION

CLOSED CONDITION

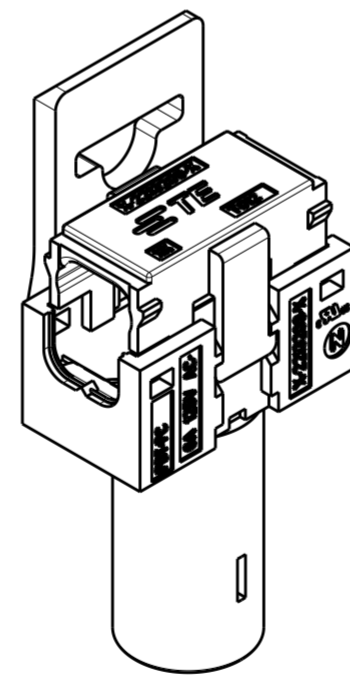
1. MATERIAL AND FINISH:
 HOUSING AND CAP: PBT+PC, COLOR: NATURAL
 CONTACTS: COPPER ALLOY, FINISH: TIN OVER NICKEL
 SEALING GEL: SILICONE DIELECTRIC GEL
2. MUST COMPLY WITH DIRECTIVE 2002/95/EC (ROHS)
3. TO BE USED WITH UL SPT-2, 2/C 18 AWG TYPE WIRE



TYPICAL SPT-2 CABLE



TYPICAL VIEW
 SEE PAGE 3 FOR
 ALL VARIATIONS

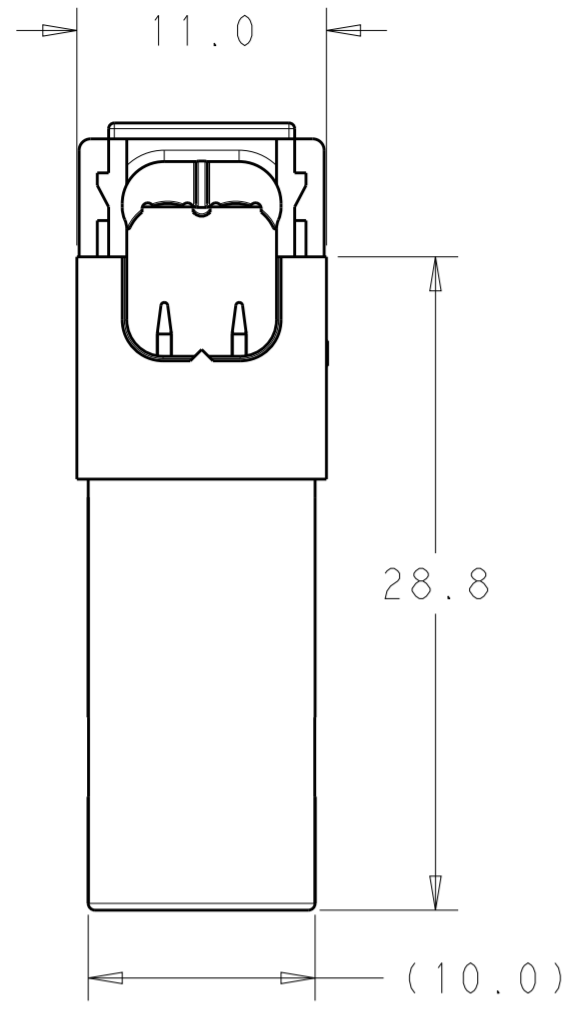


NO	LV-2	END HOUSING, WITHOUT TAB	7-2213222-4	
NO	HV-3	END HOUSING, WITHOUT TAB	7-2213222-1	
NO	LV-2	END HOUSING, WITH TAB	6-2213222-4	
NO	HV-3	END HOUSING, WITH TAB	6-2213222-1	
NO	LV-2	THRU HOUSING, WITHOUT TAB	5-2213222-4	
NO	HV-3	THRU HOUSING, WITHOUT TAB	5-2213222-1	
NO	LV-2	THRU HOUSING, WITH TAB	4-2213222-4	
NO	HV-3	THRU HOUSING, WITH TAB	4-2213222-1	
YES	LV-2	END HOUSING, WITHOUT TAB	3-2213222-4	
YES	HV-3	END HOUSING, WITHOUT TAB	3-2213222-1	
YES	LV-2	END HOUSING, WITH TAB	2-2213222-4	
YES	HV-3	END HOUSING, WITH TAB	2-2213222-1	
YES	LV-2	THRU HOUSING, WITHOUT TAB	1-2213222-4	
YES	HV-3	THRU HOUSING, WITHOUT TAB	1-2213222-1	
YES	LV-2	THRU HOUSING, WITH TAB	2213222-4	
YES	HV-3	THRU HOUSING, WITH TAB	2213222-1	
SEALING GEL		POLARIZATION KEY	HOUSING TYPE	PART NO.

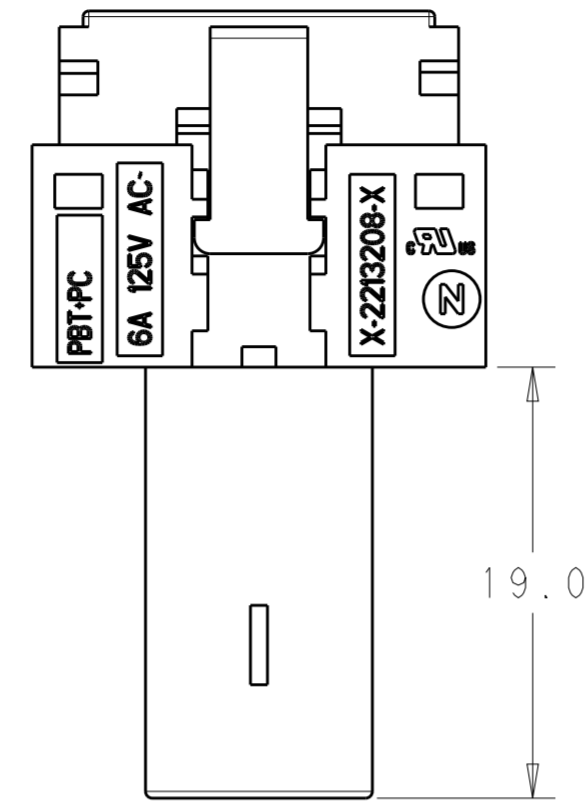
THIS DRAWING IS A CONTROLLED DOCUMENT.		DWN RAVLS 18MAR2013	TE Connectivity ASSEMBLY: NECTOR S BUS BAR NA	
DIMENSIONS: mm		CHK C. GINGRICH 18MAR2013		
TOLERANCES UNLESS OTHERWISE SPECIFIED:		APVD C. GINGRICH 18MAR2013	NAME	
0 PLC ±0.5		PRODUCT SPEC	-	
1 PLC ±0.15		108-20294	-	
2 PLC ±0.1		APPLICATION SPEC	-	
3 PLC ±		114-20131	-	
4 PLC ±		WEIGHT	-	
ANGLES ±1		Customer Drawing	SIZE A2	CAGE CODE 00779
FINISH		SCALE 2	DRAWING NO C-2213222	RESTRICTED TO -
			SHEET 1	OF 3
			REV B	

THIS DRAWING IS UNPUBLISHED. RELEASED FOR PUBLICATION 20
 © COPYRIGHT 20 BY - ALL RIGHTS RESERVED.

LOC	DIST	REVISIONS			
P	LTR	DESCRIPTION	DATE	DWN	APVD
-	-	SEE SHEET 1	-	-	-

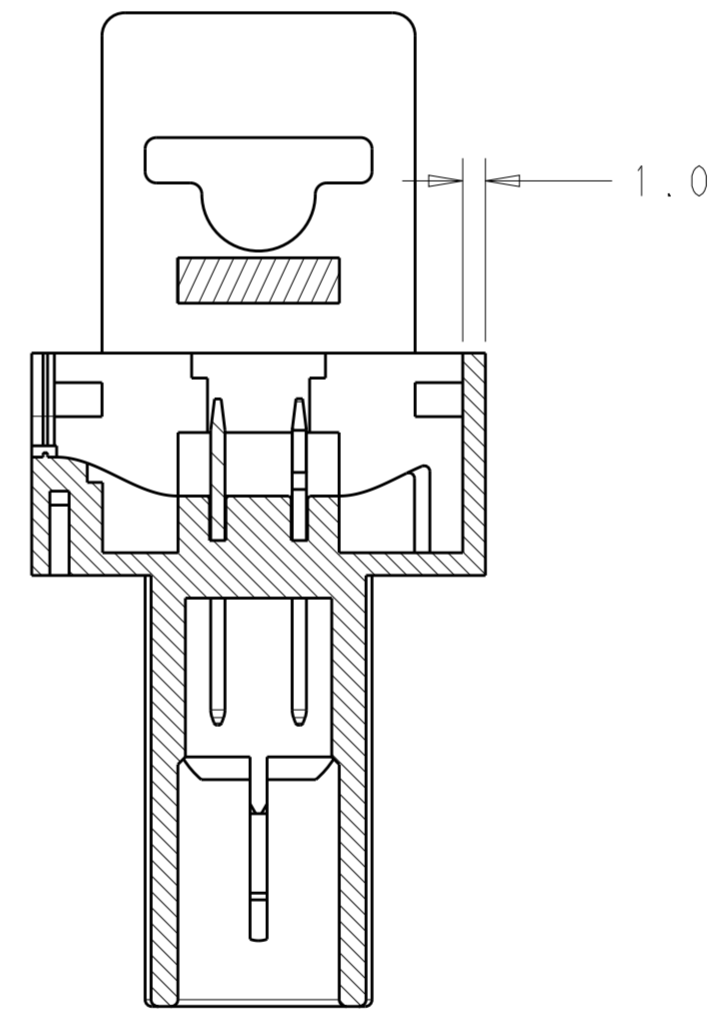
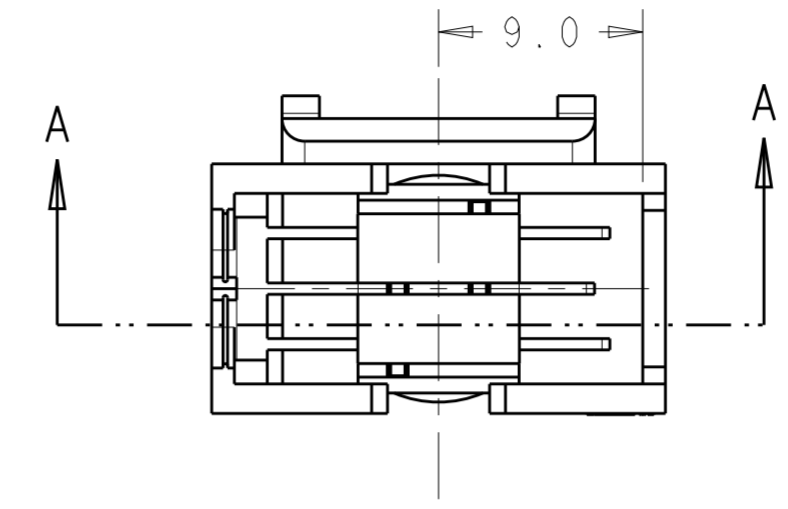


HOUSING WITHOUT TAB

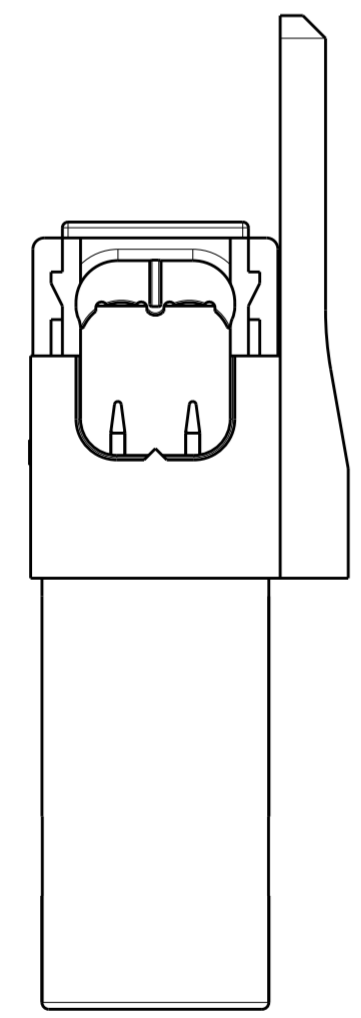


19.0

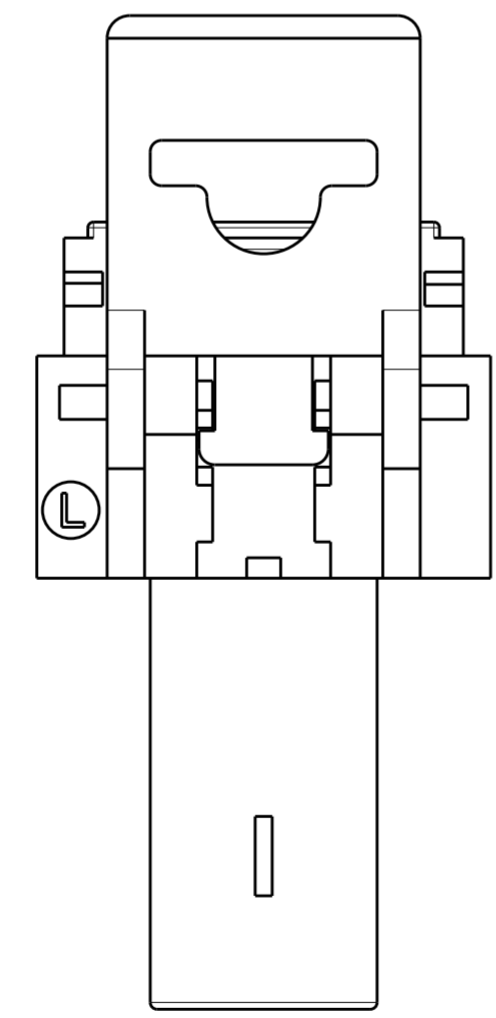
END HOUSING WITH TAB



SECTION A-A
SCALE 3:1



HOUSING WITH TAB



THIS DRAWING IS A CONTROLLED DOCUMENT.		DWN RAVI.S 18MAR2013	TE Connectivity	
DIMENSIONS: mm		CHK C. GINGRICH 18MAR2013		
TOLERANCES UNLESS OTHERWISE SPECIFIED:		APVD C. GINGRICH 18MAR2013	NAME ASSEMBLY: NECTOR S BUS BAR NA	
0 PLC ±0.5 1 PLC ±0.15 2 PLC ±0.1 3 PLC ± 4 PLC ± ANGLES ±1 FINISH		PRODUCT SPEC 108-20294	RESTRICTED TO	
MATERIAL		APPLICATION SPEC 114-20131	SIZE A200779	CAGE CODE C-2213222
-		WEIGHT -	SCALE 2 SHEET 2 OF 3 REV B	
-		Customer Drawing	-	