

THIS DRAWING IS UNPUBLISHED.

RELEASED FOR PUBLICATION

20

© COPYRIGHT 20 BY -

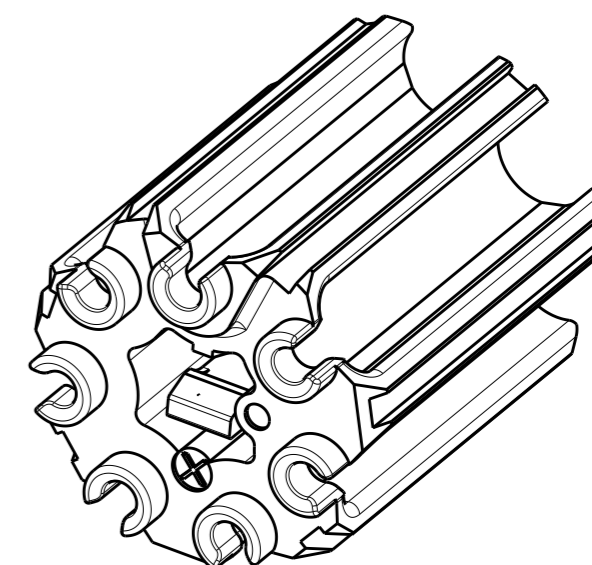
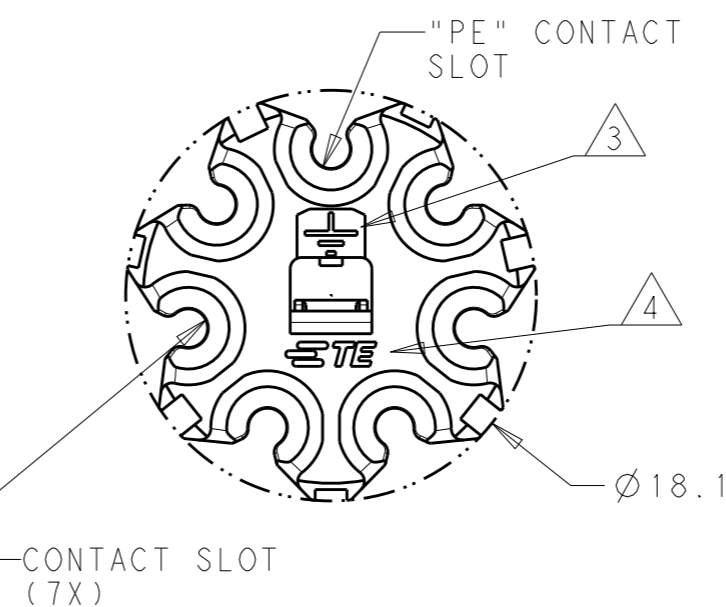
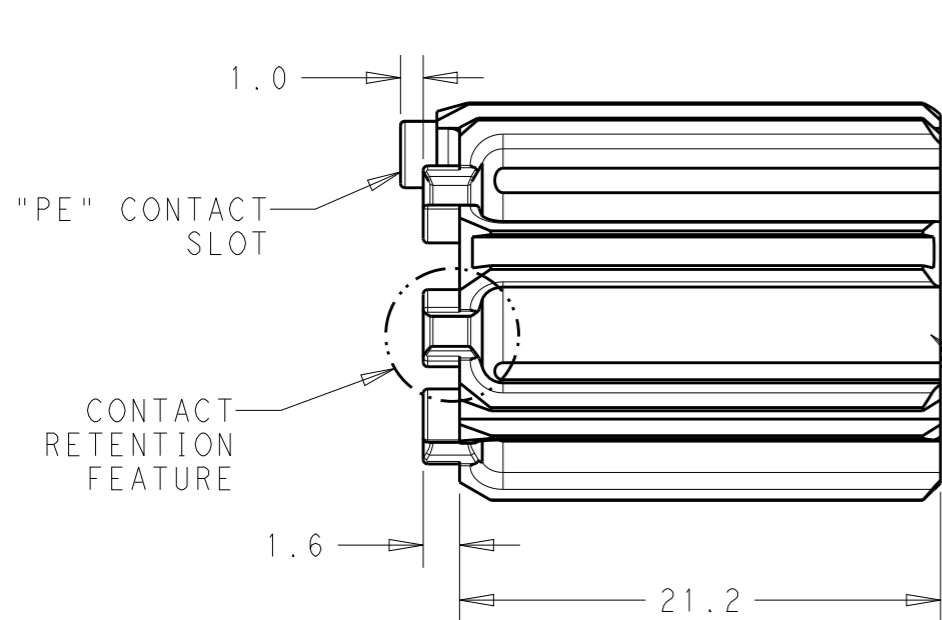
ALL RIGHTS RESERVED.

REVISIONS

P	LTR	DESCRIPTION	DATE	DWN	APVD
	A	REVISED AS PER ECR-15-005925	21APR2015	RS	JL


NOTES:

1. MATERIAL - GLASS FILLED PBT, COLOR BLACK
2. MUST COMPLY WITH DIRECTIVE 2002/95/EC (ROHS)
3. "PE" SYMBOL ALIGNS WITH "PE" CONTACT SLOT
4. TE LOGO
5. THIS PRODUCT HAS NOT COMPLETED VALIDATION TESTING



2213226-3

PART NO.

THIS DRAWING IS A CONTROLLED DOCUMENT.		DWN J. SHAFFER 15JAN2014	 TE Connectivity	
DIMENSIONS: mm		CHK M. LUKSIC 15JAN2014		
TOLERANCES UNLESS OTHERWISE SPECIFIED:		APVD M. LUKSIC 15JAN2014	NAME CONTACT POSITIONER, 5/6/7 POSITION, SEALED, NECTOR M-LINE	
0 PLC ±- 1 PLC ±0.2 2 PLC ±0.13 3 PLC ±- 4 PLC ±- ANGLES ±-		PRODUCT SPEC 108-133014	RESTRICTED TO	
MATERIAL NOTE 1		FINISH -	APPLICATION SPEC 114-32111	SIZE A3
		WEIGHT -	Customer Drawing	CAGE CODE -
			DRAWING NO G-2213226	SCALE 2:1
				SHEET 1 OF 1
				REV A