

THIS DRAWING IS UNPUBLISHED.

RELEASED FOR PUBLICATION

20

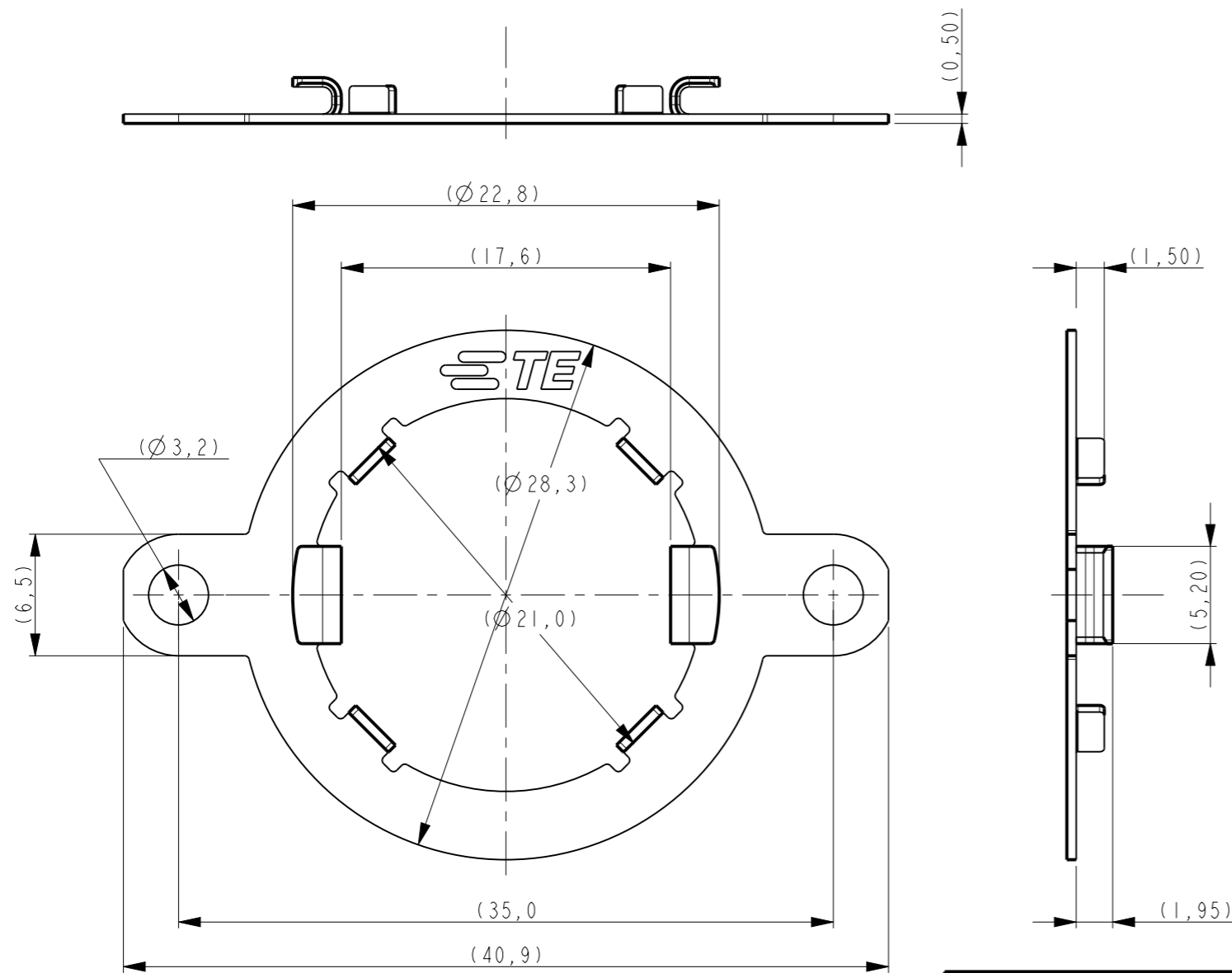
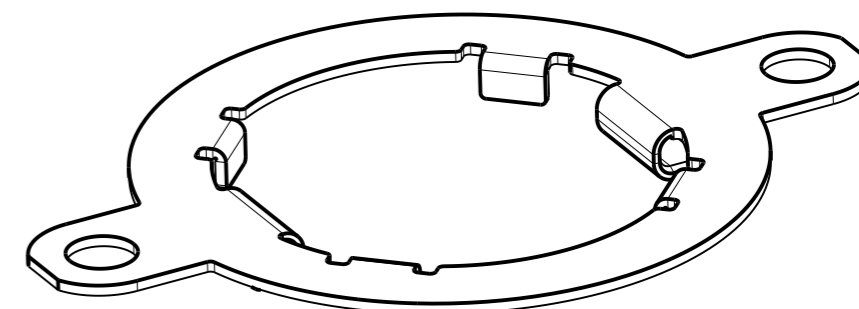
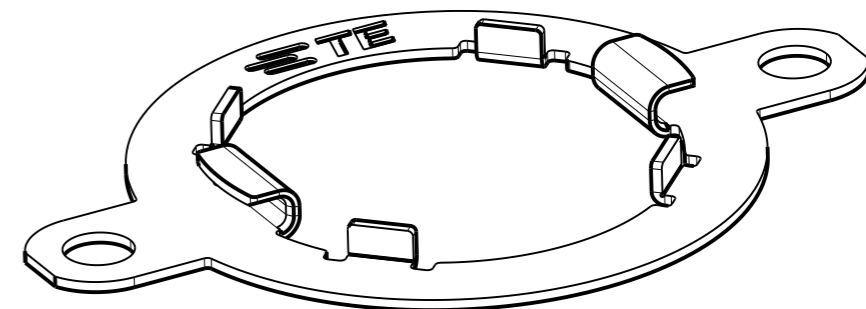
© COPYRIGHT 20 BY -

ALL RIGHTS RESERVED.


LOC	DIST	REVISIONS					
		P	LTR	DESCRIPTION	DATE	DWN	APVD
-	-		A	RELEASE PER ECO 13-014783	18SEP2013	PP	OL
			A1	REVISED PER ECR-14-000133	22JAN2014	YR	OL

NOTES:

1. MATERIAL: STAINLESS STEEL
2. MUST COMPLY WITH DIRECTIVE 2002/95/EC (RoHS)08 MAX.
3. TO BE USED INLINE WITH Z50 ZHAGA COVERS.
4. TO BE USED OPTIC INTERFACE, SEE SHEET 2.

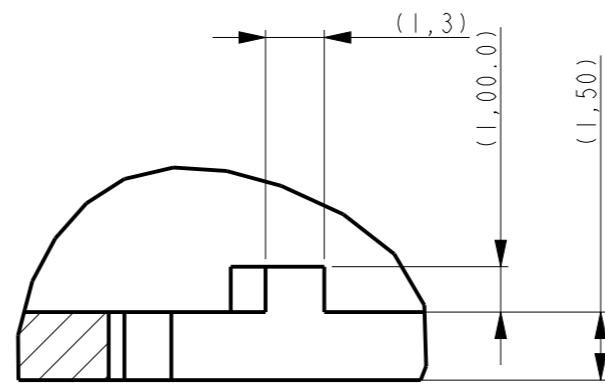
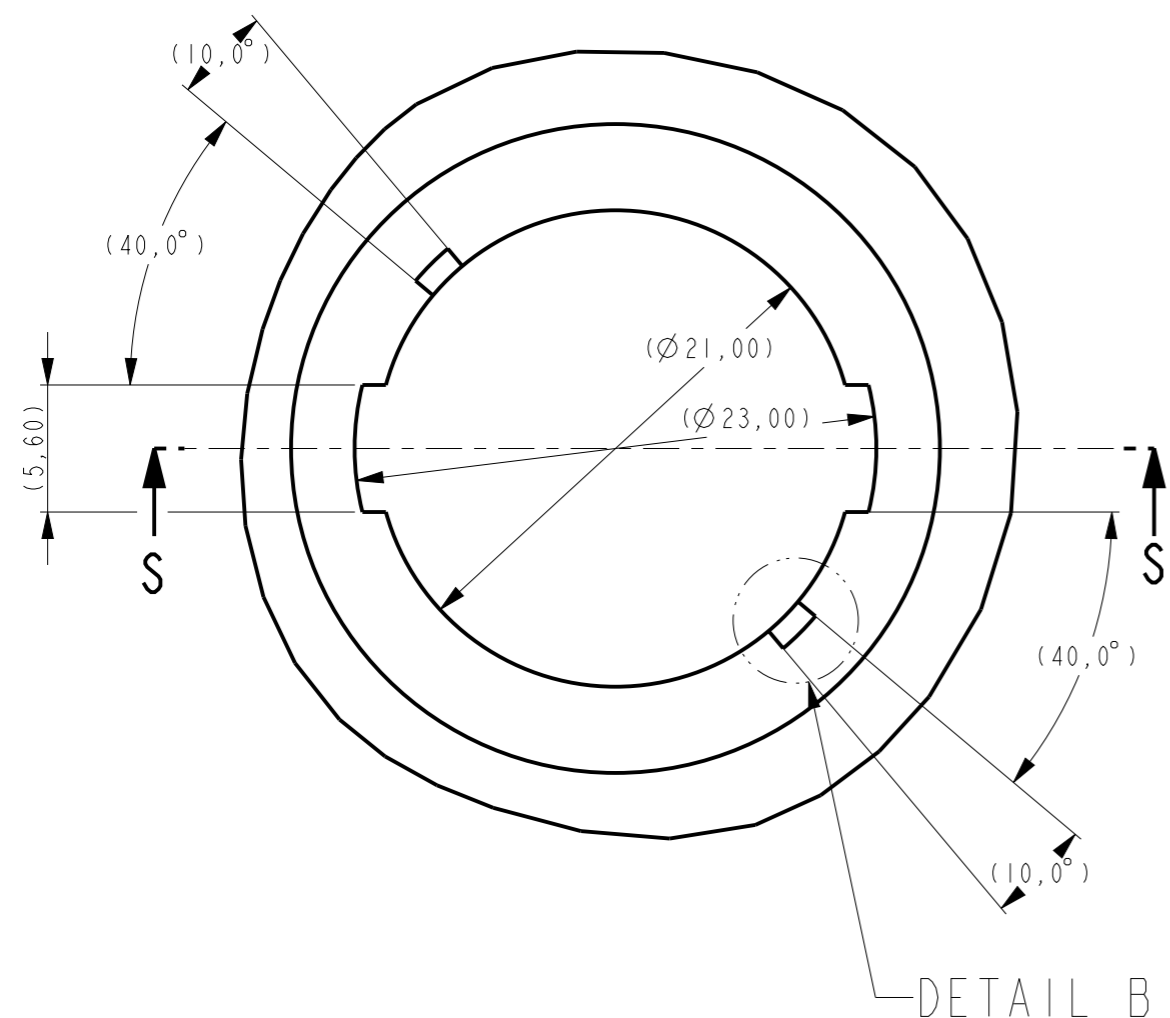


PART NUMBER  
2213349-1

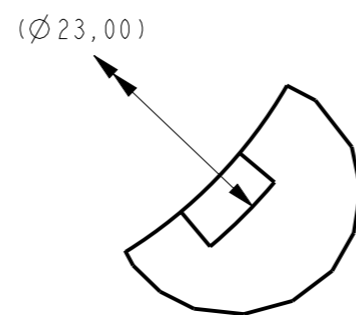
THIS DRAWING IS A CONTROLLED DOCUMENT.		DWN M.V.ESSEN 18JAN2013	 TE Connectivity															
DIMENSIONS: mm		CHK M.V.ESSEN 18JAN2013																
TOLERANCES UNLESS OTHERWISE SPECIFIED:		APVD O.I.FLJNSE 22JAN2013	NAME LUMAWISE LED HOLDER OPTIC CLIP Z50, TYPE 2															
<table border="1"> <tr><td>0 PLC</td><td>±-</td></tr> <tr><td>1 PLC</td><td>±-</td></tr> <tr><td>2 PLC</td><td>±-</td></tr> <tr><td>3 PLC</td><td>±-</td></tr> <tr><td>4 PLC</td><td>±-</td></tr> <tr><td>ANGLES</td><td>±-</td></tr> </table>		0 PLC	±-	1 PLC	±-	2 PLC	±-	3 PLC	±-	4 PLC	±-	ANGLES	±-	PRODUCT SPEC 108-133013	SIZE A3	CAGE CODE 00779	DRAWING NO C-2213349	RESTRICTED TO -
0 PLC	±-																	
1 PLC	±-																	
2 PLC	±-																	
3 PLC	±-																	
4 PLC	±-																	
ANGLES	±-																	
MATERIAL -	FINISH -	APPLICATION SPEC 114-32105	SCALE 3:1		SHEET 1	OF 2	REV A1											
		WEIGHT -	CUSTOMER DRAWING															

LOC	DIST	REVISIONS		
P	LTR	DESCRIPTION	DATE	APVD
-	-	SEE SHEET 1		

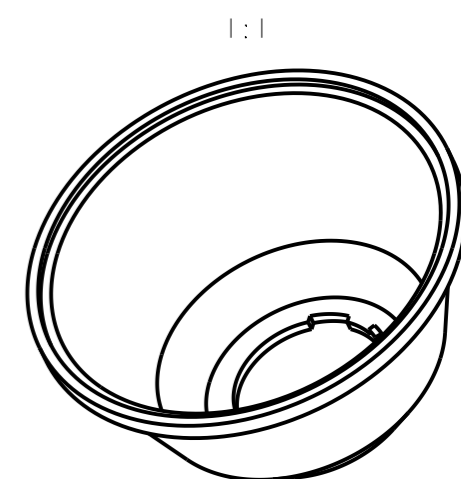
# RECOMMENDED OPTIC INTERFACE



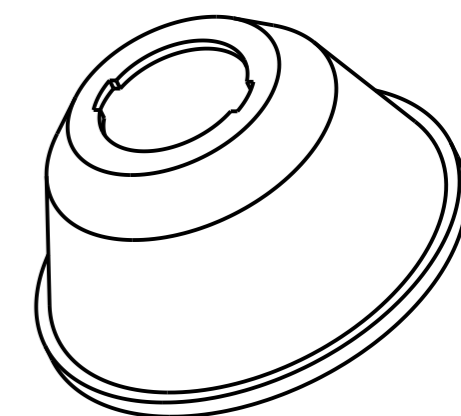
DETAIL A  
6:1



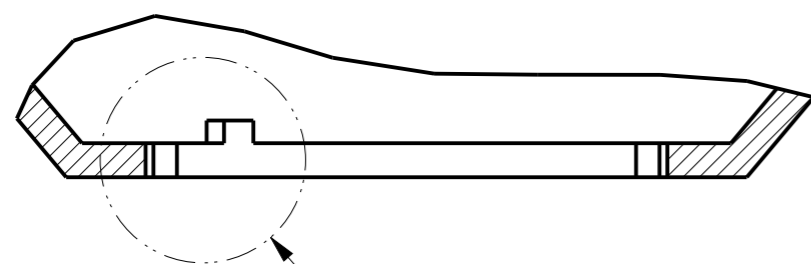
DETAIL B  
6:1




1:1



1:1



SECTION S-S  
DETAIL A

THIS DRAWING IS A CONTROLLED DOCUMENT.		DWN M.V.ESSEN 18JAN2013	 <b>TE Connectivity</b>		
DIMENSIONS: mm		CHK M.V.ESSEN 18JAN2013			
TOLERANCES UNLESS OTHERWISE SPECIFIED:		APVD O.I.FLJNSE 22JAN2013	NAME LUMAWISE LED HOLDER OPTIC CLIP Z50, TYPE 2		
<ul style="list-style-type: none"> <li>0 PLC <math>\pm</math></li> <li>1 PLC <math>\pm</math></li> <li>2 PLC <math>\pm</math></li> <li>3 PLC <math>\pm</math></li> <li>4 PLC <math>\pm</math></li> <li>ANGLES <math>\pm</math></li> </ul>		PRODUCT SPEC 108-133013	RESTRICTED TO		
MATERIAL -		APPLICATION SPEC 114-32105	SIZE A3	CAGE CODE 00779	DRAWING NO C-2213349
FINISH -		WEIGHT -	SCALE 3:1		
		CUSTOMER DRAWING	SHEET 2 OF 2		
			REV A1		