

THIS DRAWING IS UNPUBLISHED.

RELEASED FOR PUBLICATION

20

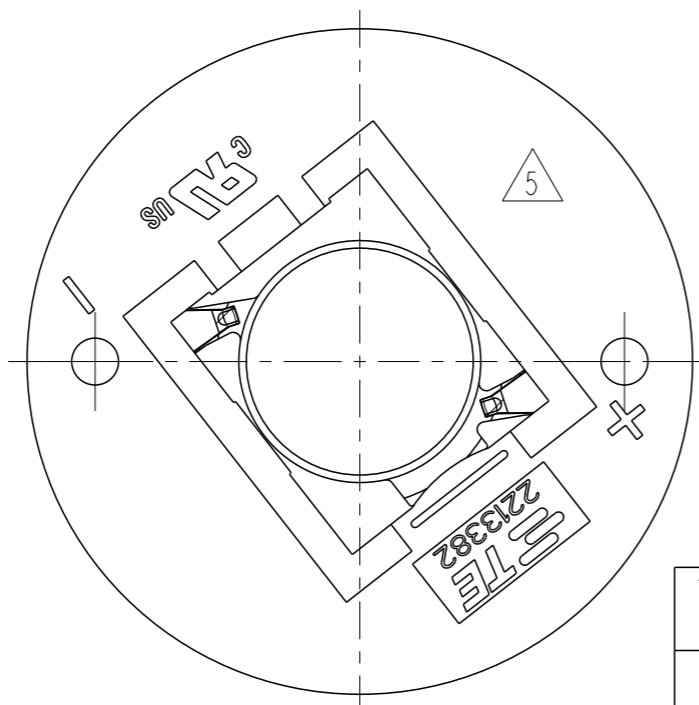
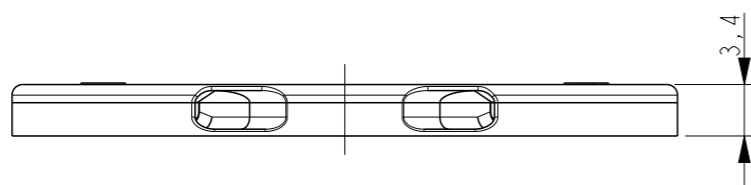
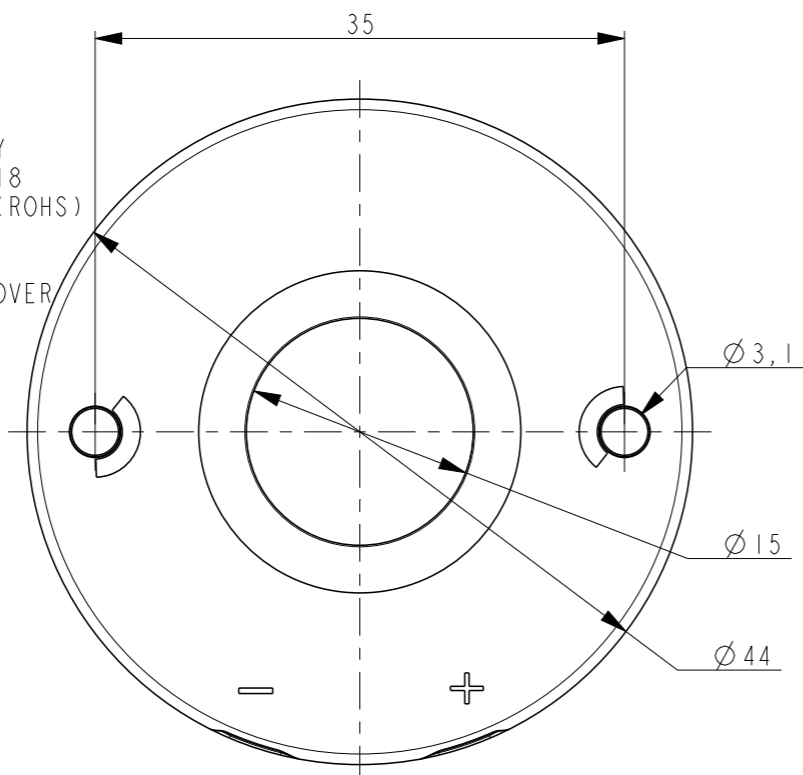
© COPYRIGHT 20 BY -

ALL RIGHTS RESERVED.

NOTES:

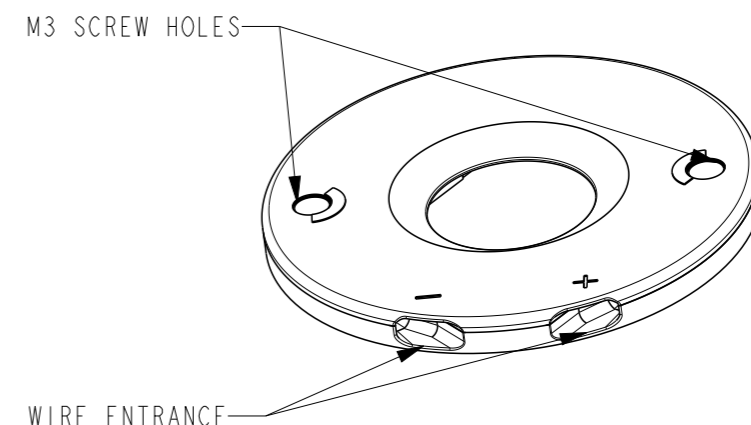
- 1. MATERIALS:
HOUSING: GLASS FILLED PBT
HALOGEN FREE FLAME RETARDANT,
COLOR : NATURAL/WHITE
CONTACTS: SILVER PLATED COPPER ALLOY
- 2. FOR SOLID AND STRANDED WIRE AWG 22-18
- 3. COMPLIES WITH DIRECTIVE 2002/95/EC (ROHS)
- 4. M3 SCREW TO BE USED FOR MOUNTING

- 5. DATE CODE YY-WW-D ANY WHERE EXCEPT OVER LOGO OR +/- SIGN.
- 6. FOR COB-TO-HOLDER CROSS REFERENCE, REFER TO APPLICATION SPECIFICATION 114-32208.

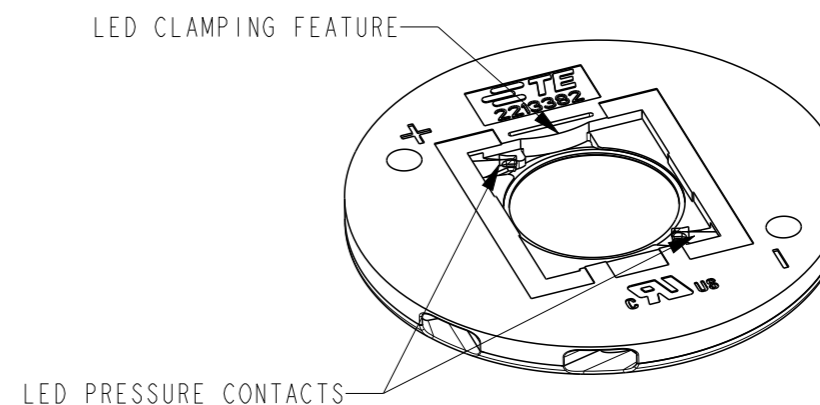


2213382-1 AS SHOWN
LUMAWISE LED HOLDER Z50 LOW PROFILE

REVISIONS					
P	LTR	DESCRIPTION	DATE	DWN	APVD
	A4	ADDED RELEASED LEDES	25JAN2017	KR	MvE
	B	REVISED PER ECR-17-005513	13APR2017	SK	MvE
	B1	REVISED PER ECR-17-016356	07NOV2017	RK	OL
	B2	REVISED PER ECR-19-009282	14JUN2019	SR	DD



SCALE 3:2



LUMAWISE LED HOLDER Z50 STANDARD PROFILE 1619	2213382-2	5x4 PIECES IN TRAY 25 TRAYS IN SHIPPING BOX
LUMAWISE LED HOLDER Z50 LOW PROFILE 1619	2213382-1	5x4 PIECES IN TRAY 35 TRAYS IN SHIPPING BOX
DESCRIPTION	PART NO	PACKAGING

THIS DRAWING IS A CONTROLLED DOCUMENT.		DWN YASHKUMAR 31AUG2013	TE Connectivity											
DIMENSIONS: mm		CHK M.V.ESSSEN 31AUG2013												
TOLERANCES UNLESS OTHERWISE SPECIFIED:		APVD O.I.FIUNSE 31AUG2013												
<table border="0"> <tr><td>0 PLC</td><td>±·</td></tr> <tr><td>1 PLC</td><td>±·</td></tr> <tr><td>2 PLC</td><td>±·</td></tr> <tr><td>3 PLC</td><td>±·</td></tr> <tr><td>4 PLC</td><td>±·</td></tr> <tr><td>ANGLES</td><td>±·</td></tr> </table>		0 PLC			±·	1 PLC	±·	2 PLC	±·	3 PLC	±·	4 PLC	±·	ANGLES
0 PLC	±·													
1 PLC	±·													
2 PLC	±·													
3 PLC	±·													
4 PLC	±·													
ANGLES	±·													
MATERIAL	FINISH	APPLICATION SPEC 114-32048	NAME LUMAWISE LED HOLDER Z50 1619											
-	-	WEIGHT -	SIZE A3	CAGE CODE -										
-	-	Customer Drawing	DRAWING NO C-2213382	RESTRICTED TO -										
			SCALE 2:1	SHEET 1 OF 3										
			REV B2											

THIS DRAWING IS UNPUBLISHED.

RELEASED FOR PUBLICATION

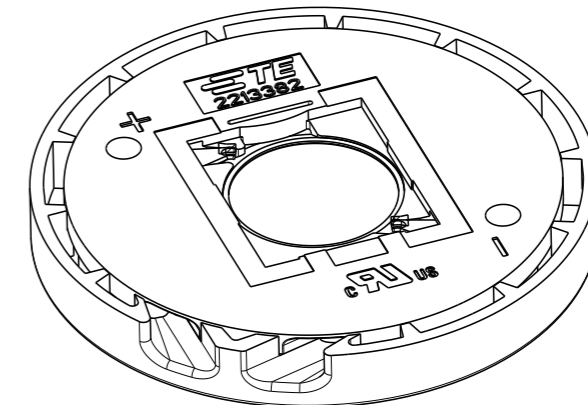
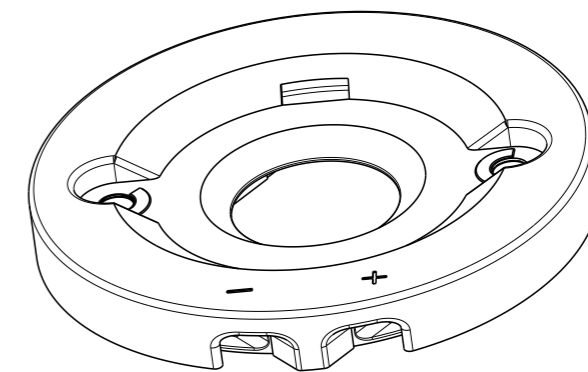
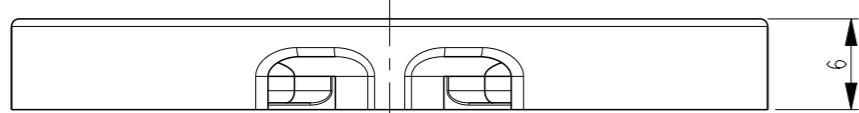
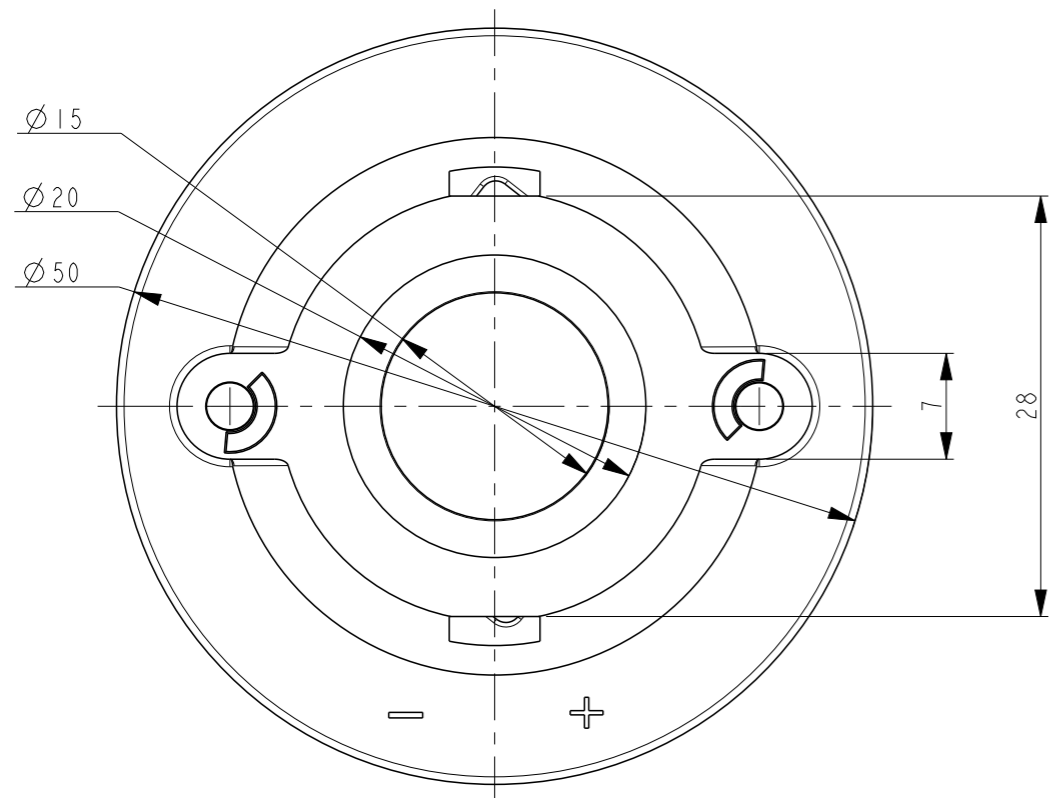
20

© COPYRIGHT 20 BY -

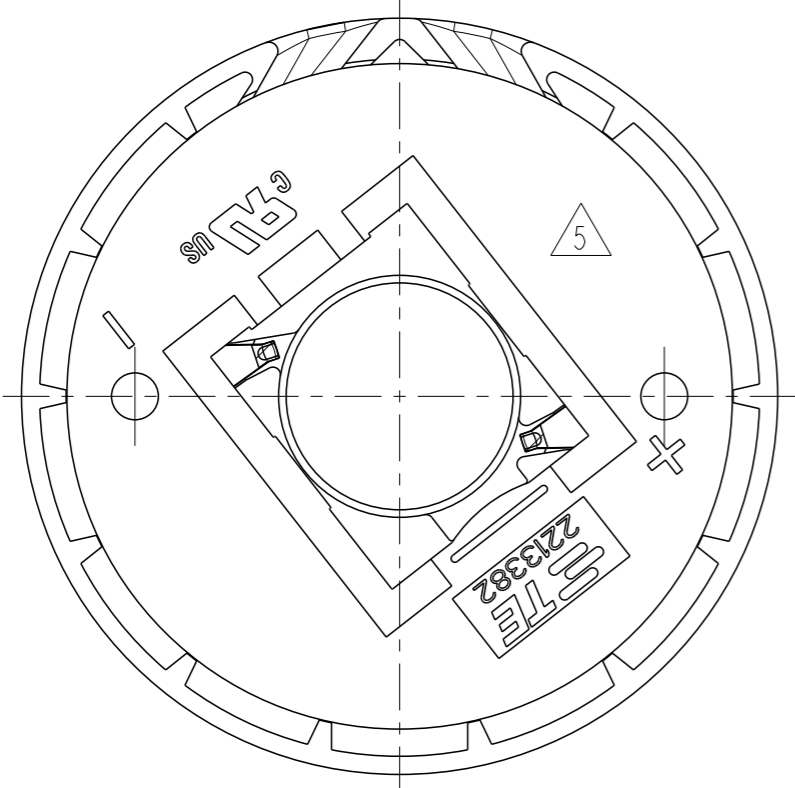
ALL RIGHTS RESERVED.

REVISIONS

P	LTR	DESCRIPTION	DATE	DWN	APVD
-	-	SEE SHEET 1	-	-	-



SCALE 3:2



2213382-2 AS SHOWN
LUMAWISE LED HOLDER Z50 STANDARD PROFILE

THIS DRAWING IS A CONTROLLED DOCUMENT.		DWN YASHKUMAR 31AUG2013	TE Connectivity		
DIMENSIONS: mm		CHK M.V.ESSEN 31AUG2013			
TOLERANCES UNLESS OTHERWISE SPECIFIED:		APVD O.I.FIUNSE 31AUG2013	PRODUCT SPEC		
<ul style="list-style-type: none"> 0 PLC ±- 1 PLC ±- 2 PLC ±- 3 PLC ±- 4 PLC ±- ANGLES ±- 		APPLICATION SPEC		RESTRICTED TO	
MATERIAL		WEIGHT		SIZE A3	CAGE CODE -
FINISH		Customer Drawing		DRAWING NO C-2213382	SCALE 2:1
-		-		SHEET 2 OF 3	REV B2