

4

3

2

1

THIS DRAWING IS UNPUBLISHED. RELEASED FOR PUBLICATION 20
 © COPYRIGHT 20 BY - ALL RIGHTS RESERVED.

| REVISIONS | | | | |
|-----------|-----|------------------------------|-----------|-------|
| P | LTR | DESCRIPTION | DATE | APVD |
| A | | REVISED AS PER ECR-15-005925 | 21APR2015 | RS JL |
| A1 | | ECR-18-006945 | 05JUL2018 | SR MZ |
| | | | | |
| | | | | |

NOTES:

- MATERIAL: GLASS FILLED PBT, COLOR: BLACK
- MUST COMPLY WITH DIRECTIVE 2002/95/EC (ROHS)
- ALL POLARIZATION KEYS SHOWN FOR REF ONLY.
- CIRCUIT I.D.
- TE PART NUMBER.
- TE LOGO
- THIS PRODUCT HAS NOT COMPLETED VALIDATION TESTING

| | | | | |
|----------|-------------------|------------------------------------------|-------------|-------------|
| OBSOLETE | E | PANEL MT PIN. SEALED NECTOR M, 7 POLE | 2213392-5 | |
| | D | PANEL MT PIN. SEALED NECTOR M, 7 POLE | 2213392-4 | |
| | C | PANEL MT PIN. SEALED NECTOR M, 7 POLE | 2213392-3 | |
| | B | PANEL MT PIN. SEALED NECTOR M, 7 POLE | 2213392-2 | |
| | A | PANEL MT PIN. SEALED NECTOR M, 7 POLE | 2213392-1 | |
| | POLARIZATION TYPE | | DESCRIPTION | PART NUMBER |

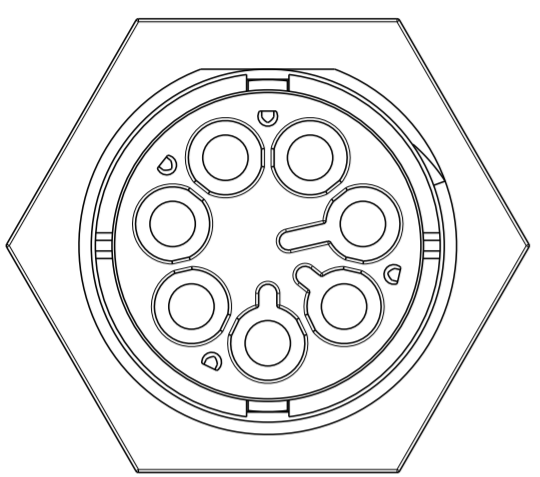
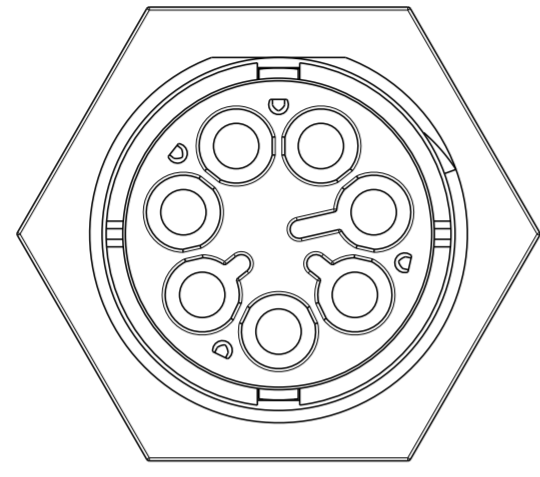
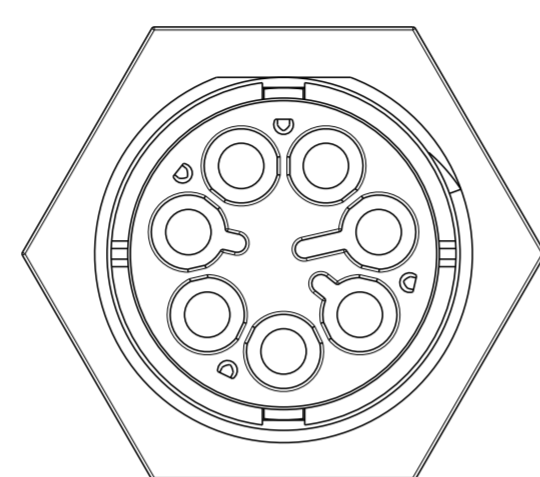
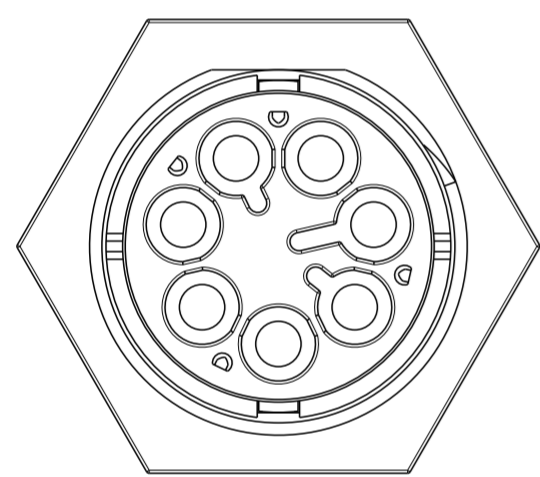
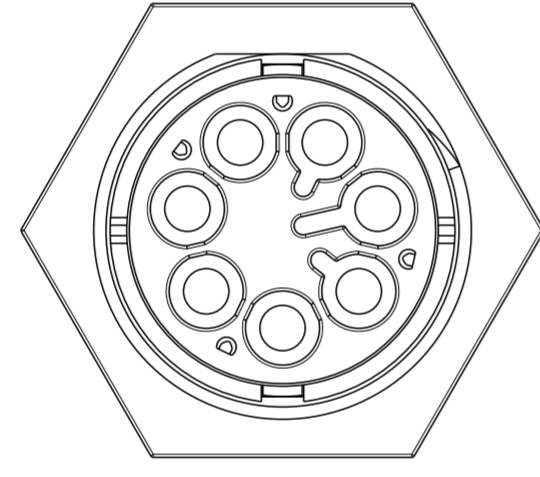
| DIMENSIONS: | | TOLERANCES UNLESS OTHERWISE SPECIFIED: | | APVD | | NAME | | | | | | |
|------------------|--------|----------------------------------------|-------|------------------|------------|-------------|-----------------|-----------|------------|---------------|-----|----|
| mm | | 0 PLC | ± | DWN | J. SHAFFER | 21 JAN 2014 | TE Connectivity | | | | | |
| | | 1 PLC | ±0.2 | CHK | M. LUKSIC | 21 JAN 2014 | | | | | | |
| | | 2 PLC | ±0.13 | APVD | M. LUKSIC | 21 JAN 2014 | | | | | | |
| | | 3 PLC | ± | PRODUCT SPEC | | | | | | | | |
| | | 4 PLC | ± | APPLICATION SPEC | | | SIZE | CAGE CODE | DRAWING NO | RESTRICTED TO | | |
| MATERIAL | NOTE 1 | FINISH | - | WEIGHT | - | 114-32111 | A2 | - | G-2213392 | - | | |
| Customer Drawing | | | | | | | SCALE | 2:1 | SHEET | 1 OF 2 | REV | A1 |

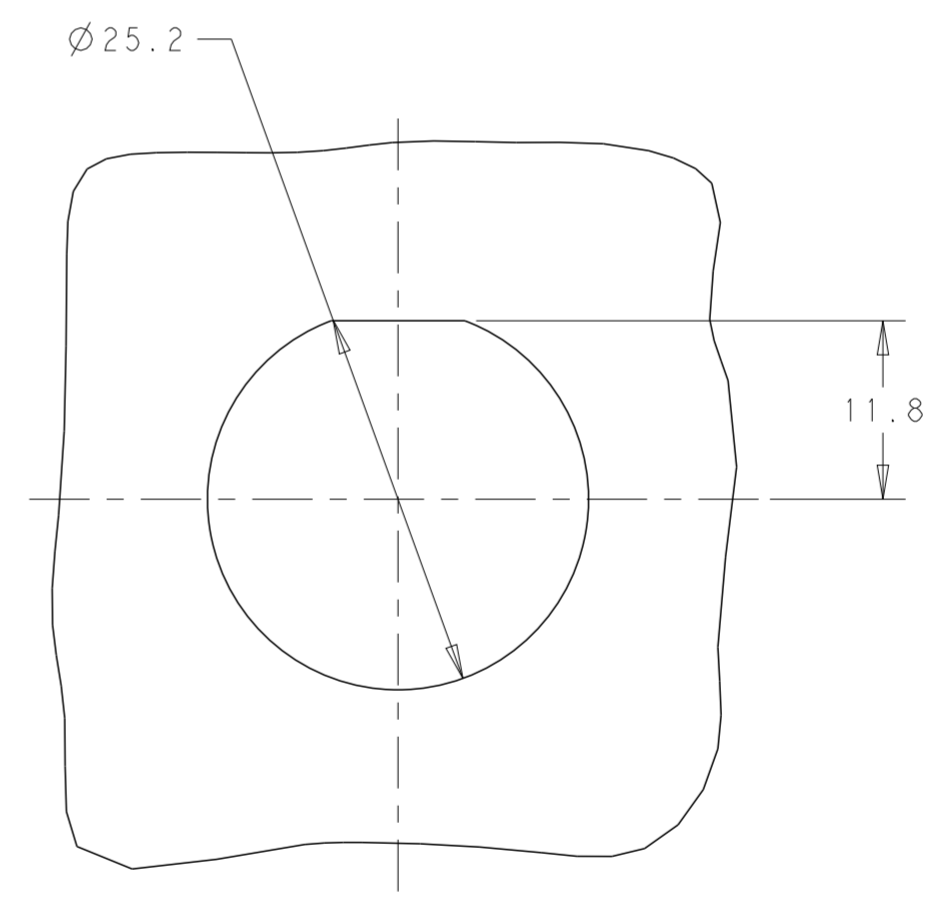
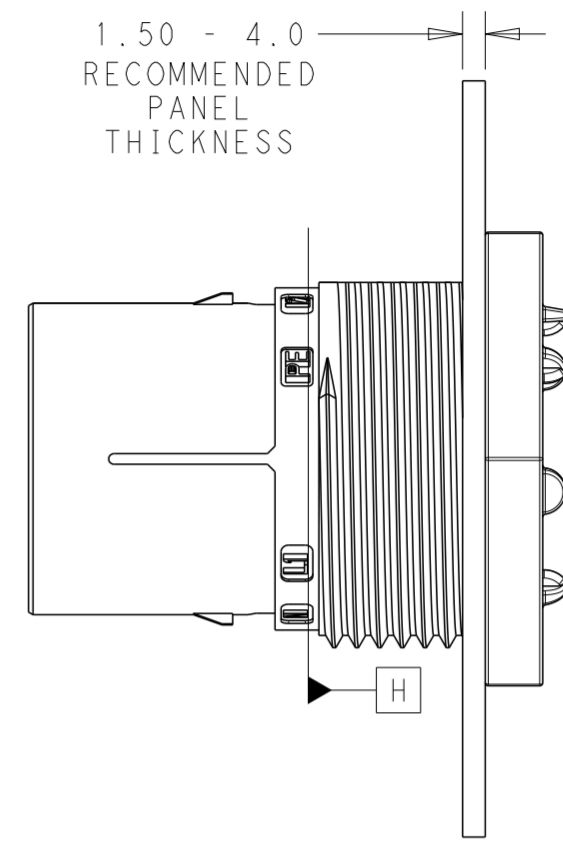
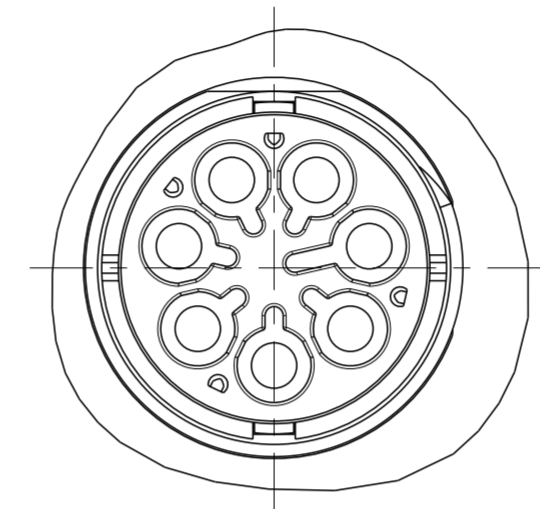
1471-9 (3/13)

THIS DRAWING IS UNPUBLISHED. RELEASED FOR PUBLICATION 20
 © COPYRIGHT 20 BY - ALL RIGHTS RESERVED.

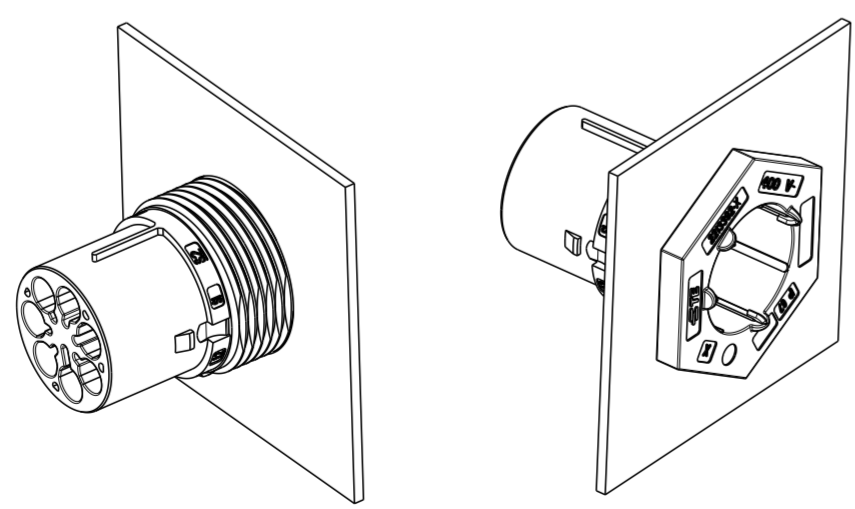
| REVISIONS | | | | |
|-----------|-----|-------------|------|------|
| P | LTR | DESCRIPTION | DATE | APVD |
| - | - | SEE SHEET 1 | - | - |
| | | | | |
| | | | | |

POLARIZATION TYPES

| POLARIZATION TYPE "A" | POLARIZATION TYPE "B" | POLARIZATION TYPE "C" |
|------------------------------------------------------------------------------------|------------------------------------------------------------------------------------|------------------------------------------------------------------------------------|
|  |  |  |
| PN: 2213392-1 | PN: 2213392-2 | PN: 2213392-3 |
| POLARIZATION TYPE "D" | POLARIZATION TYPE "E" | |
|  |  | |
| PN: 2213392-4 | PN: 2213392-5 | |



RECOMMENDED PANEL CUTOUT



3D VIEWS FOR REFERENCE ONLY

| | | | | |
|----------------------------------------|------------|----------------------------|-----------------------------------------------------|-----------------|
| THIS DRAWING IS A CONTROLLED DOCUMENT. | | DWN J. SHAFFER 21 JAN 2014 | STE TE Connectivity | |
| DIMENSIONS: mm | | CHK M. LUKSIC 21 JAN 2014 | | |
| TOLERANCES UNLESS OTHERWISE SPECIFIED: | | APVD M. LUKSIC 21 JAN 2014 | NAME PANEL MOUNT, PIN; SEALED NECTOR M-LINE; 7 POLE | |
| 0 PLC ± | 1 PLC ±0.2 | PRODUCT SPEC 108-133014 | SIZE A2 | CAGE CODE - |
| 2 PLC ±0.13 | 3 PLC ± | APPLICATION SPEC 114-32111 | DRAWING NO C-2213392 | RESTRICTED TO - |
| 4 PLC ± | ANGLES ± | WEIGHT - | SCALE 2:1 | SHEET 2 OF 2 |
| MATERIAL NOTE 1 | FINISH - | Customer Drawing | REV A1 | |