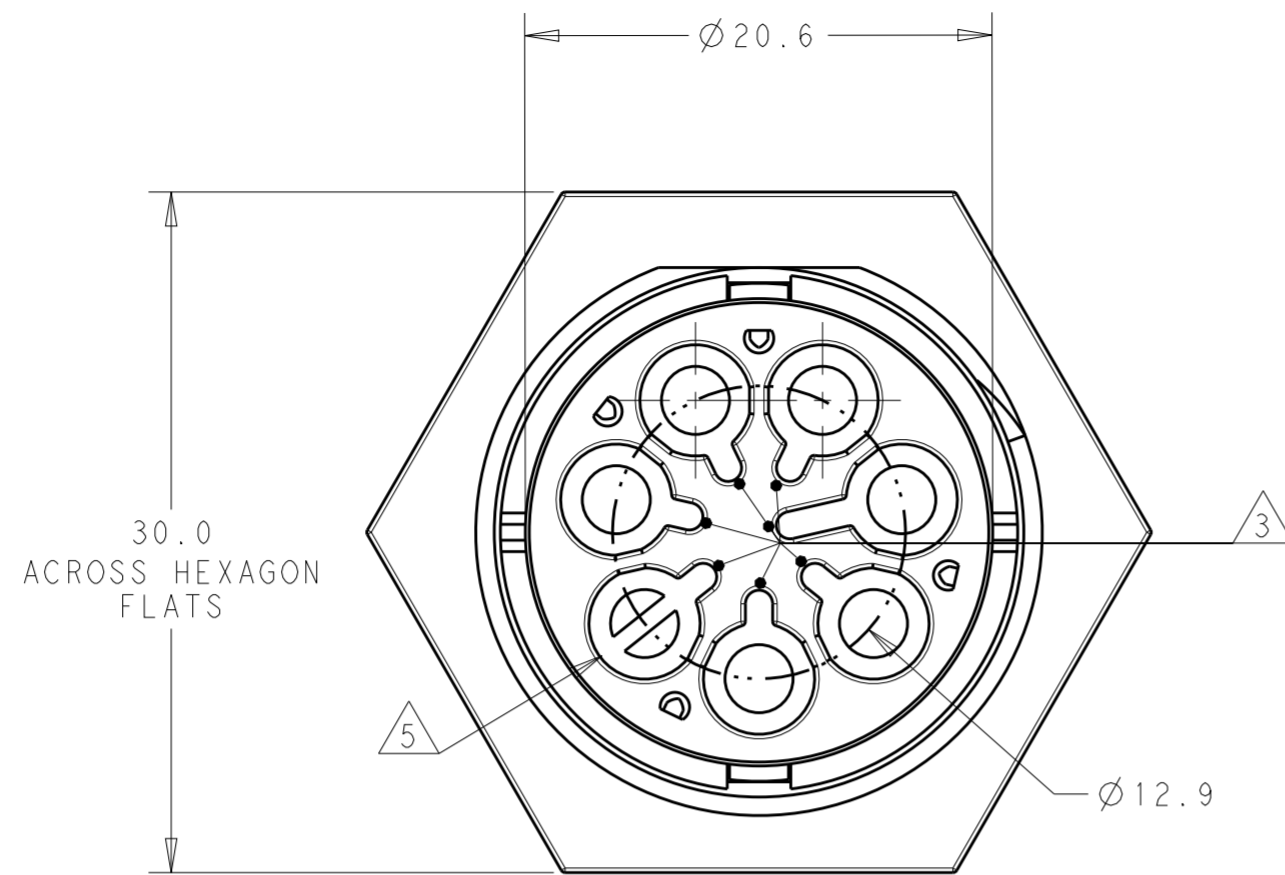


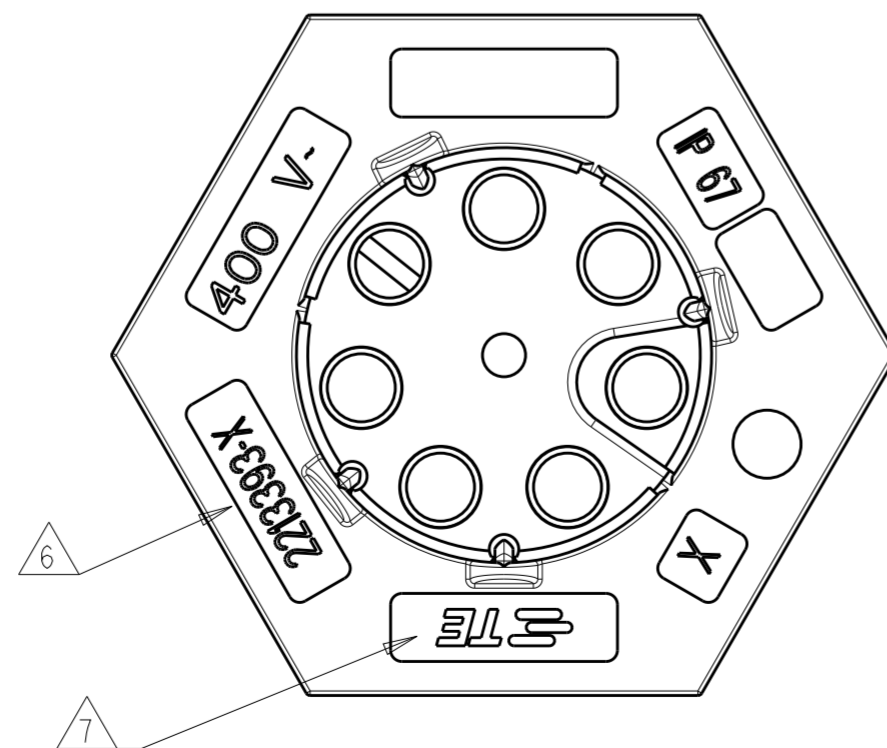
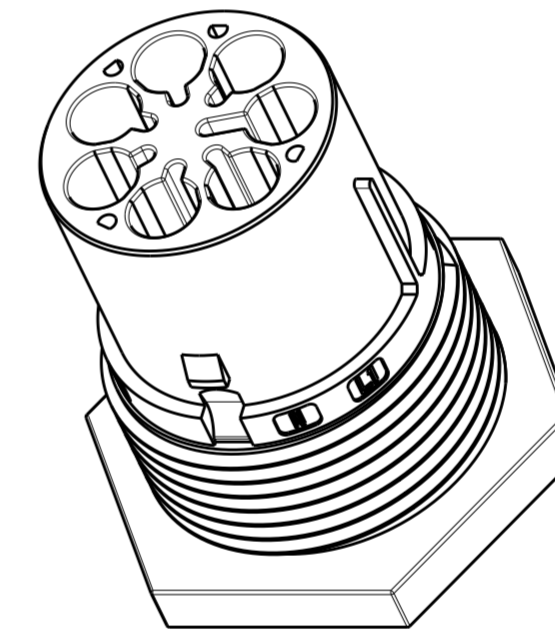
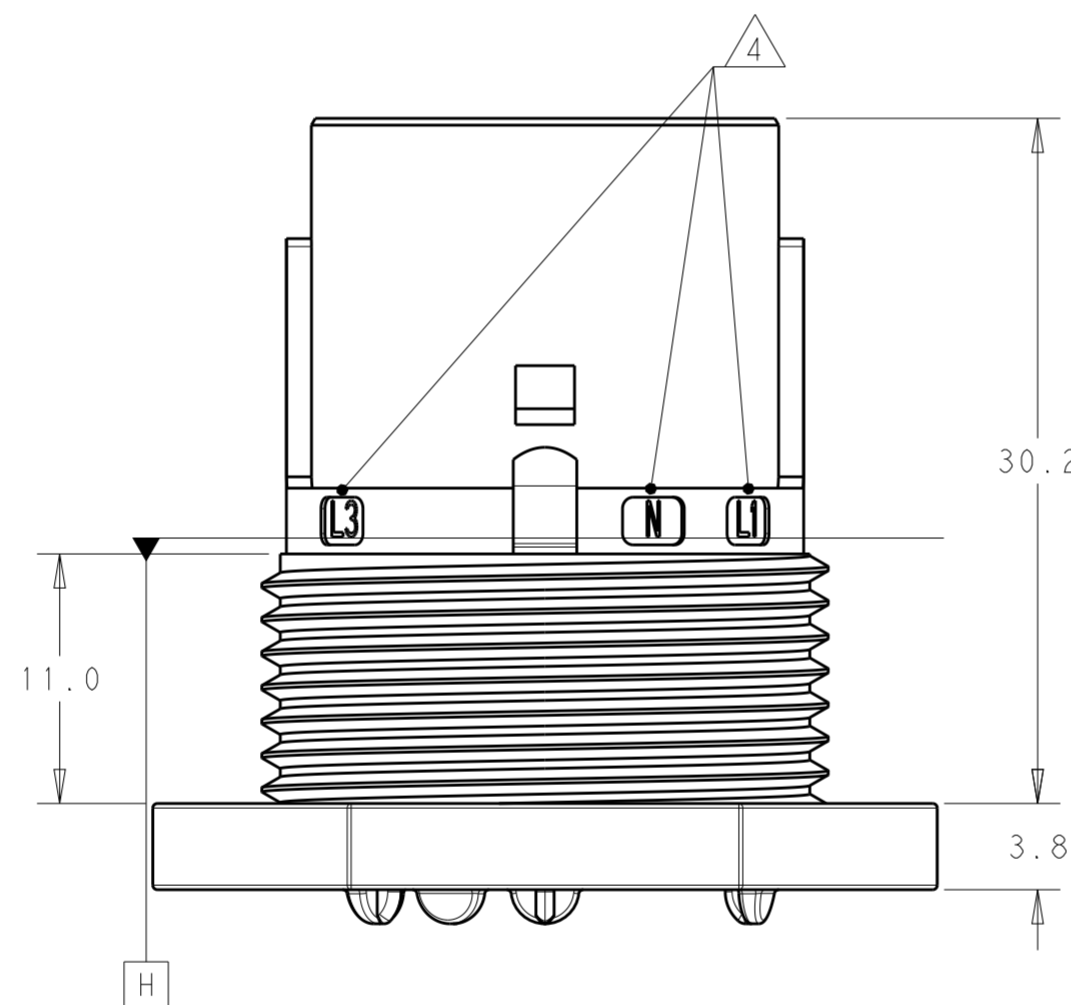
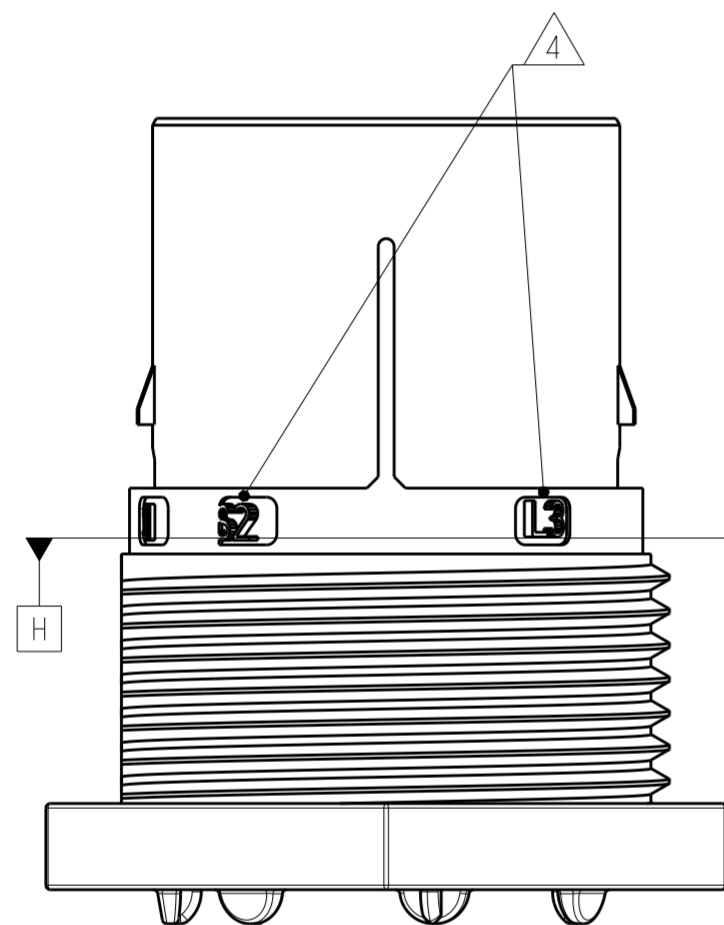
THIS DRAWING IS UNPUBLISHED. RELEASED FOR PUBLICATION 20
 © COPYRIGHT 20 BY - ALL RIGHTS RESERVED.

REVISIONS				
P	LTR	DESCRIPTION	DATE	APVD
A		REVISED AS PER ECR-15-005925	21APR2015	RS JL
A1		ECR-18-006945	05JUL2018	SR MZ



NOTES:

1. MATERIAL: GLASS FILLED PBT, COLOR: BLACK
2. MUST COMPLY WITH DIRECTIVE 2002/95/EC (ROHS)
3. ALL POLARIZATION KEYS SHOWN FOR REF ONLY.
4. CIRCUIT I.D.
5. CIRCUIT "L3" IS BLOCKED TO PREVENT CONTACTS INSTALLATION.
6. TE PART NUMBER.
7. TE LOGO
8. THIS PRODUCT HAS NOT COMPLETED VALIDATION TESTING



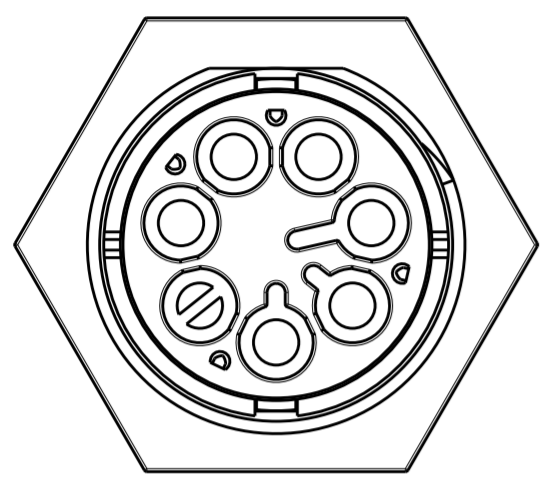
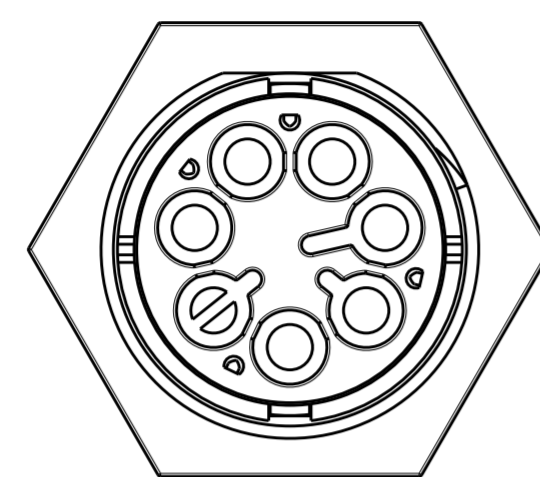
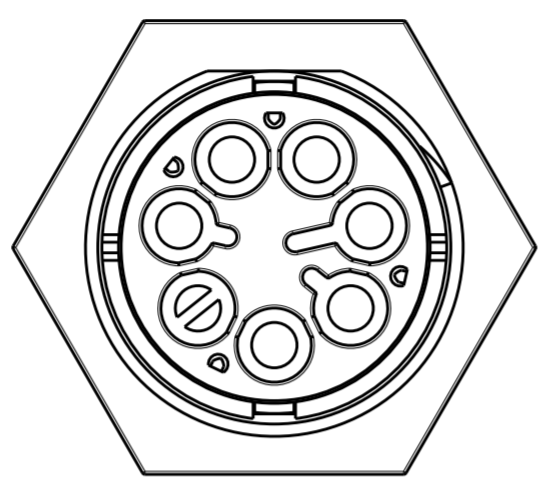
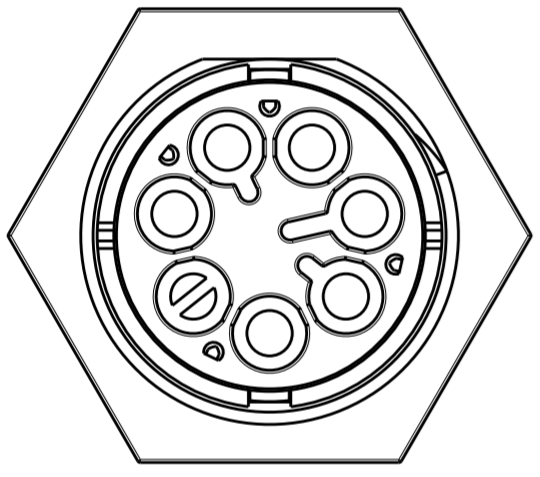
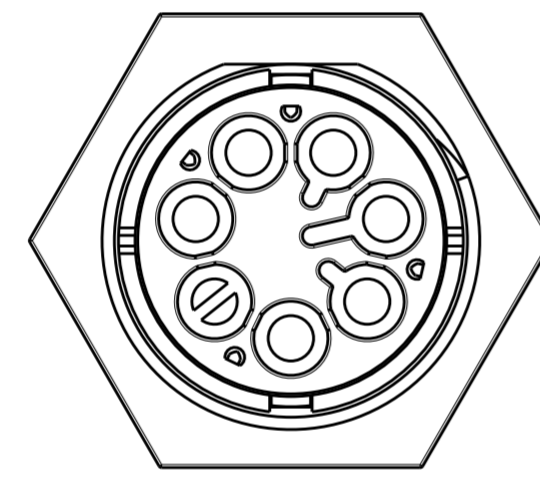
OBSOLETE	E	PANEL MT PIN. SEALED NECTOR M, 6 POLE	2213393-5
	D	PANEL MT PIN. SEALED NECTOR M, 6 POLE	2213393-4
	C	PANEL MT PIN. SEALED NECTOR M, 6 POLE	2213393-3
	B	PANEL MT PIN. SEALED NECTOR M, 6 POLE	2213393-2
	A	PANEL MT PIN. SEALED NECTOR M, 6 POLE	2213393-1
	POLARIZATION TYPE		DESCRIPTION

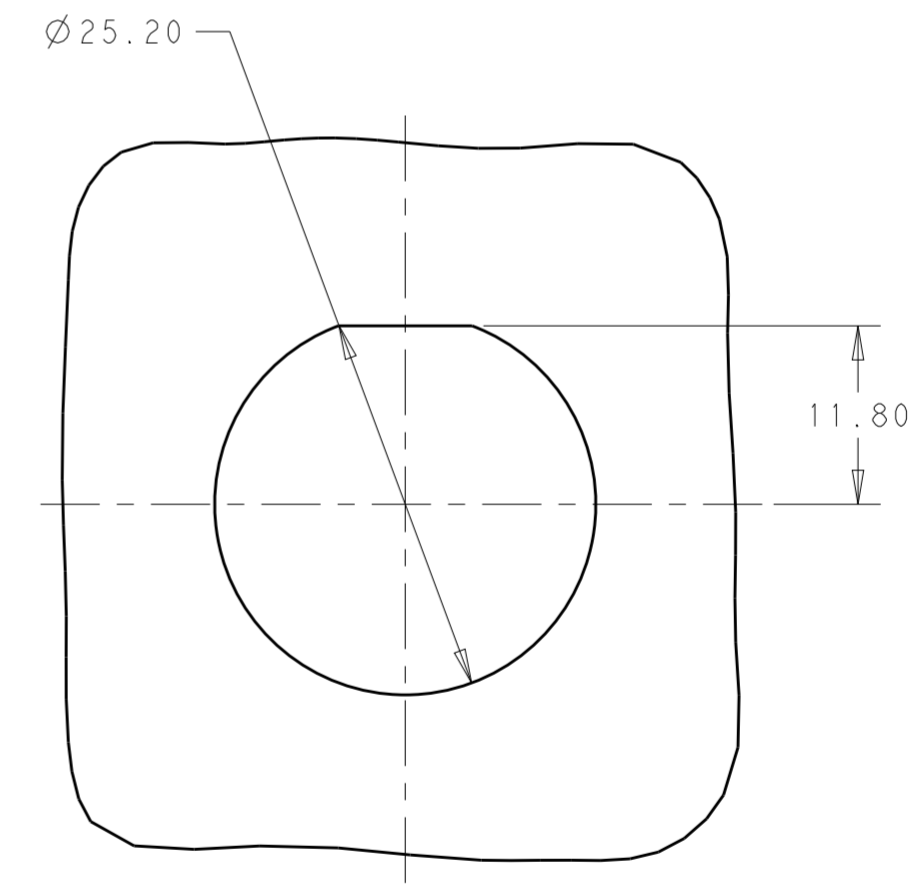
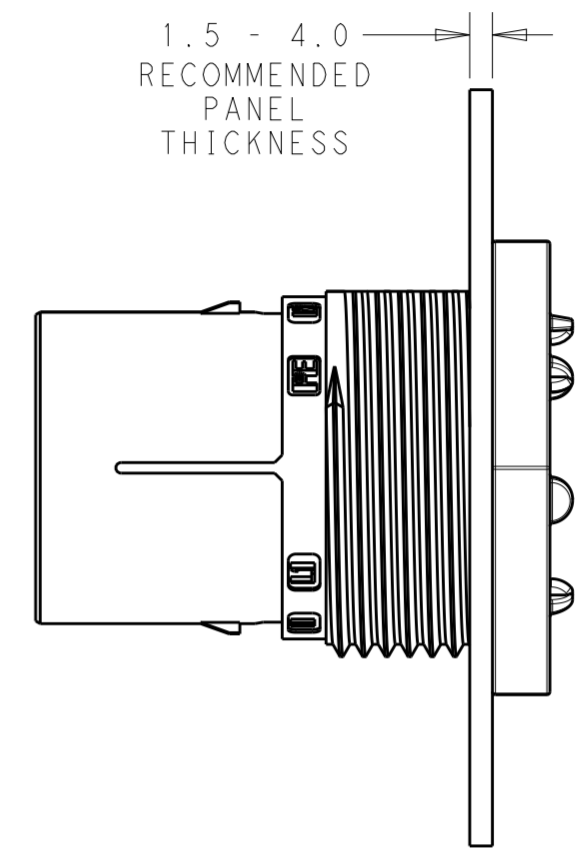
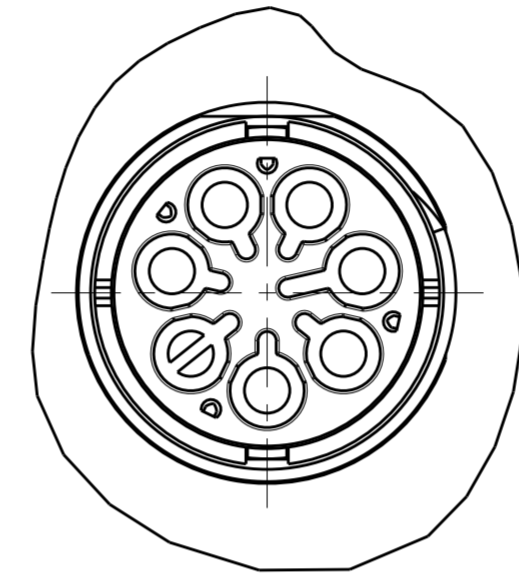
DIMENSIONS:		TOLERANCES UNLESS OTHERWISE SPECIFIED:		DWN		CHK		APVD		NAME	
mm		0 PLC	±	J. SHAEFFER		M. LUKSIC		M. LUKSIC		PANEL MOUNT, PIN; SEALED NECTOR M-LINE, 6 POLE	
		1 PLC	±0.2	21 JAN 2014		21 JAN 2014		21 JAN 2014		STE TE Connectivity	
		2 PLC	±0.13					108-133014		SIZE	
		3 PLC	±					114-32111		CAGE CODE	
		4 PLC	±							DRAWING NO	
		ANGLES	±							RESTRICTED TO	
		FINISH	±							SCALE	
MATERIAL										SHEET	
NOTE 1										OF	
										REV	
										A1	

THIS DRAWING IS UNPUBLISHED. RELEASED FOR PUBLICATION 20
 © COPYRIGHT 20 BY - ALL RIGHTS RESERVED.

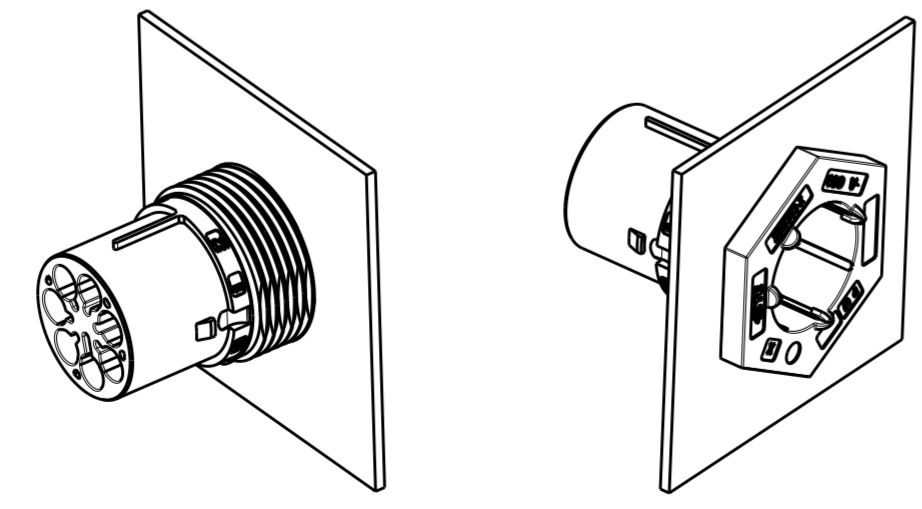
REVISIONS				
P	LTR	DESCRIPTION	DATE	APVD
-		SEE SHEET 1	-	-

POLARIZATION TYPES


POLARIZATION TYPE "A"	POLARIZATION TYPE "B"	POLARIZATION TYPE "C"
		
PN: 2213393-1	PN: 2213393-2	PN: 2213393-3
POLARIZATION TYPE "D"	POLARIZATION TYPE "E"	
		
PN: 2213393-4	PN: 2213393-5	



RECOMMENDED
PANEL CUTOUT



3D VIEWS
FOR REFERENCE ONLY

THIS DRAWING IS A CONTROLLED DOCUMENT.		DWN J. SHAFFER 21 JAN 2014	 TE Connectivity	
DIMENSIONS: mm		CHK M. LUKSIC 21 JAN 2014		
TOLERANCES UNLESS OTHERWISE SPECIFIED:		APVD M. LUKSIC 21 JAN 2014	NAME PANEL MOUNT, PIN; SEALED NECTOR M-LINE, 6 POLE	
0 PLC ±		PRODUCT SPEC 108-133014	SIZE A2	
1 PLC ±0.2		APPLICATION SPEC 114-32111	CAGE CODE -	
2 PLC ±0.13		WEIGHT -	DRAWING NO. C-2213393	
3 PLC ±		RESTRICTED TO -		
4 PLC ±		SCALE 2:1		
ANGLES ±		SHEET 2 OF 2		
FINISH -		REV A1		
NOTE 1 -		Customer Drawing		