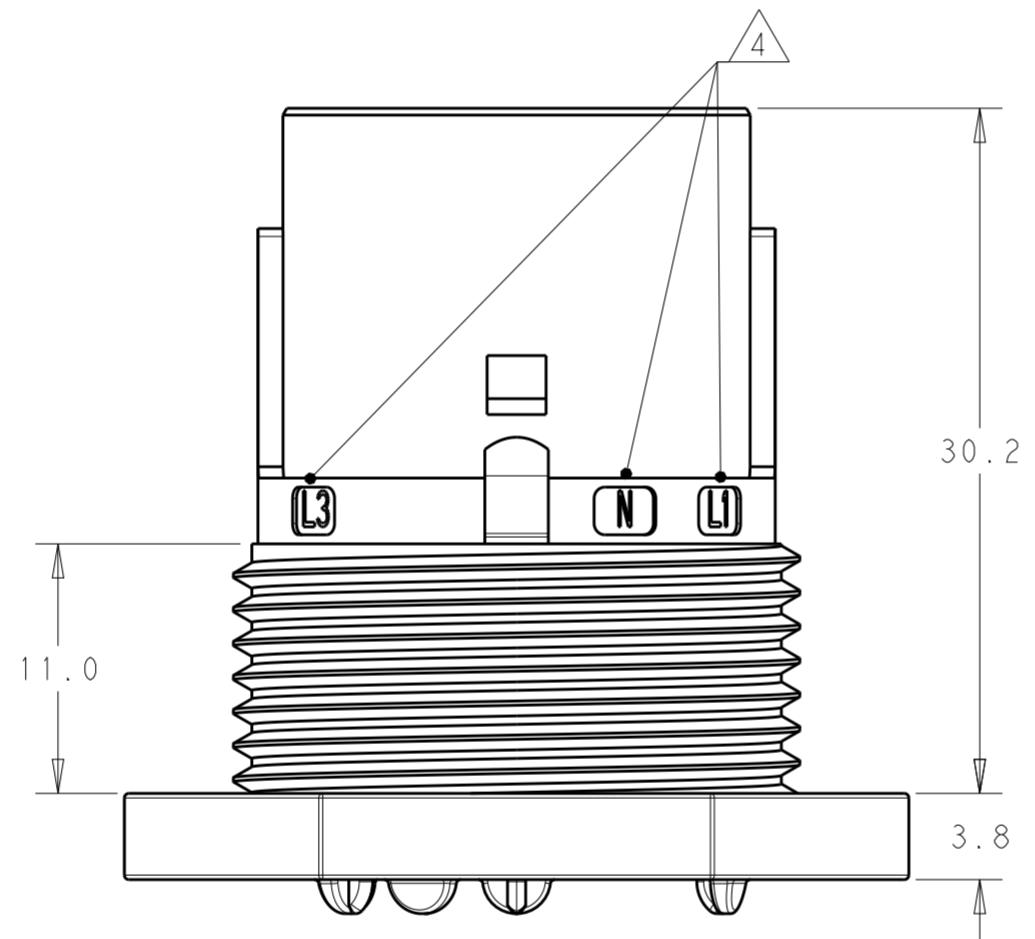
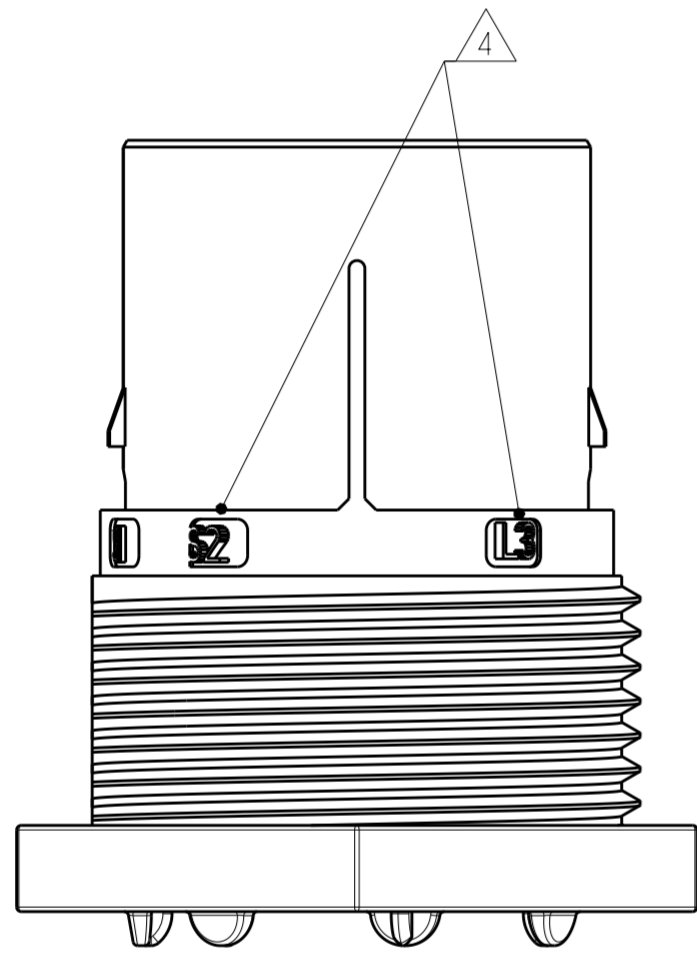
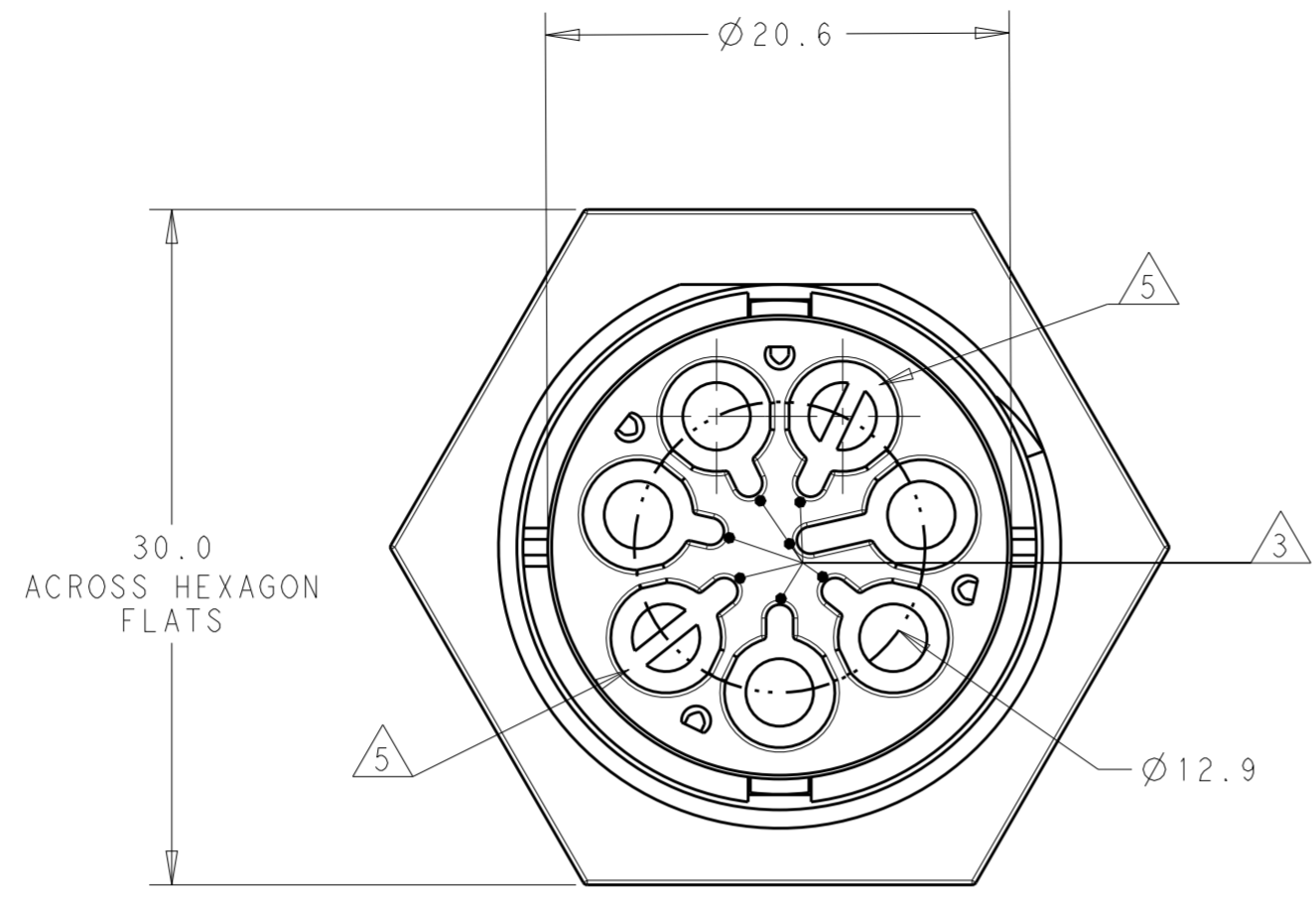
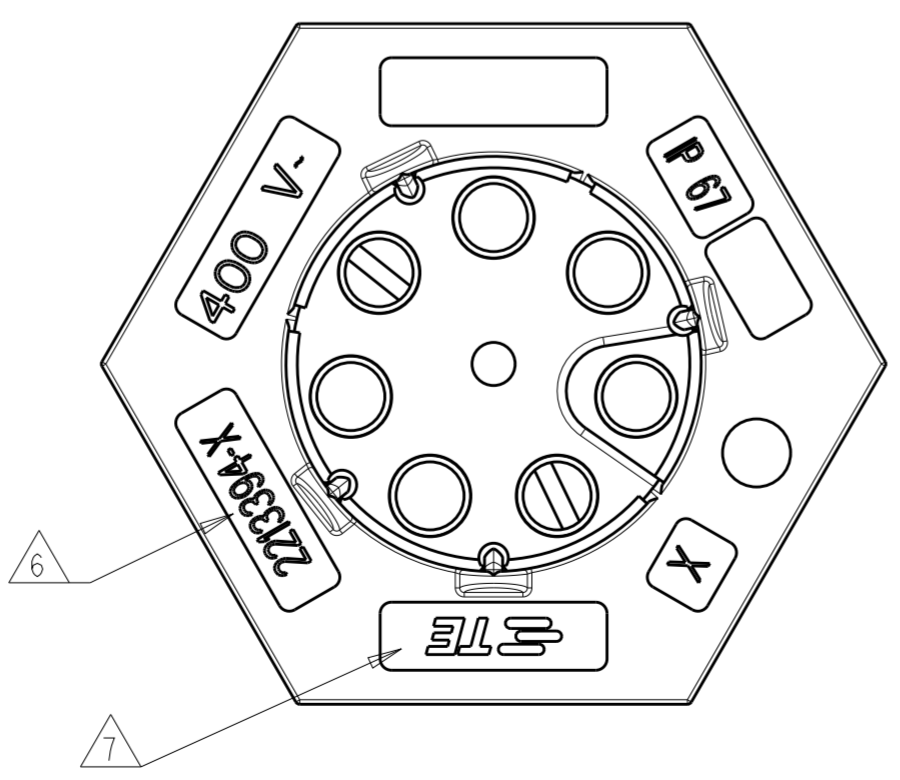
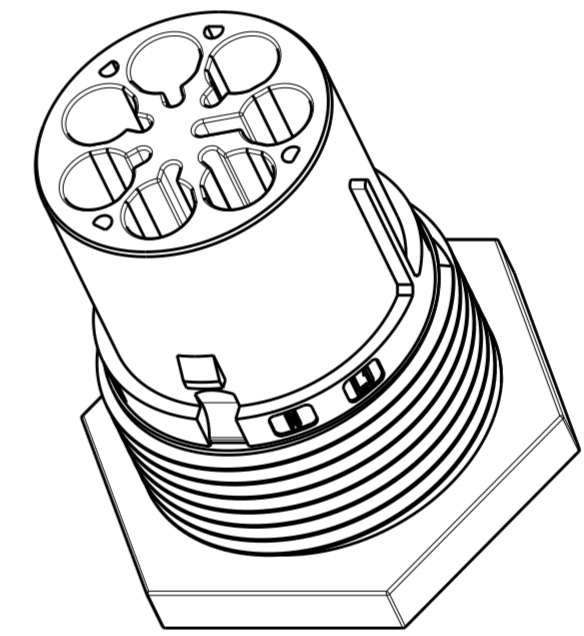


THIS DRAWING IS UNPUBLISHED. RELEASED FOR PUBLICATION 20
 © COPYRIGHT 20 BY - ALL RIGHTS RESERVED.

REVISIONS					
P	LTR	DESCRIPTION	DATE	DWN	APVD
A		REVISED AS PER ECR-15-005925	21APR2015	RS	JL
A1		ECR-18-006945	02JUL2018	SR	MZ



- NOTES:
1. MATERIAL: GLASS FILLED PBT, COLOR: BLACK
 2. MUST COMPLY WITH DIRECTIVE 2002/95/EC (ROHS)
 3. ALL POLARIZATION KEYS SHOWN FOR REF ONLY.
 4. CIRCUIT I.D.
 5. CIRCUIT "L2" AND "L3" ARE BLOCKED TO PREVENT CONTACTS INSTALLATION.
 6. TE PART NUMBER.
 7. TE LOGO
 8. THIS PRODUCT HAS NOT COMPLETED VALIDATION TESTING



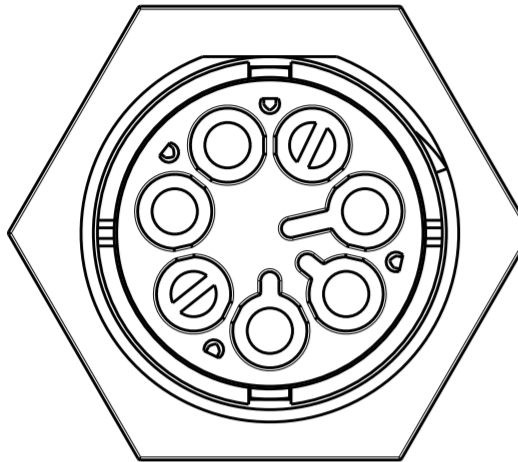
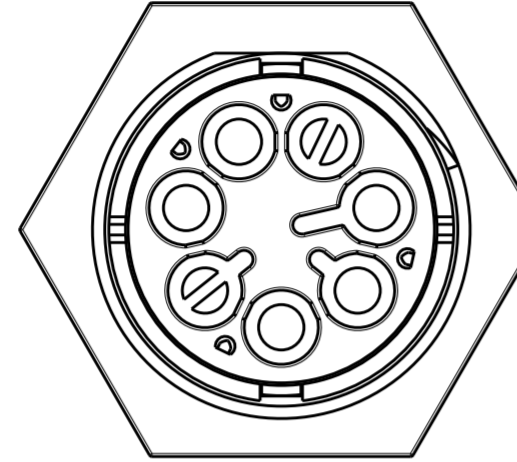
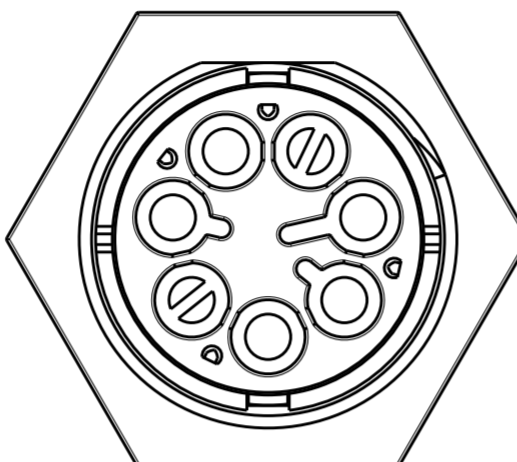
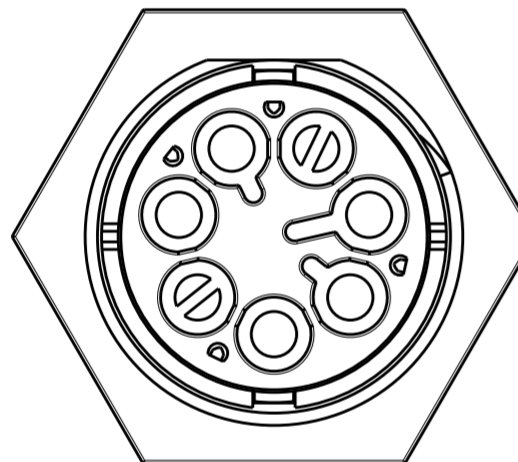
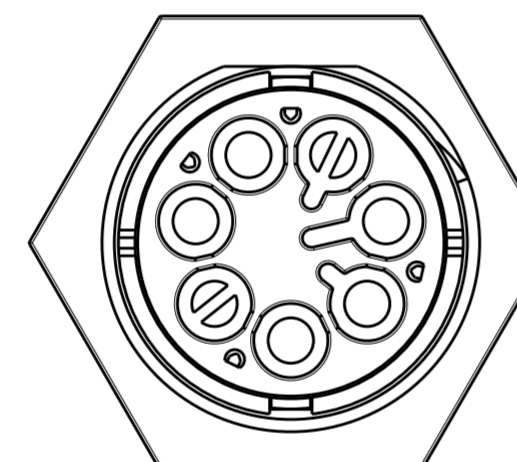
OBSOLETE	E	PANEL MOUNT PIN, SEALED NECTOR M, 5 POSN	2213394-5
	D	PANEL MOUNT PIN, SEALED NECTOR M, 5 POSN	2213394-4
	C	PANEL MOUNT PIN, SEALED NECTOR M, 5 POSN	2213394-3
	B	PANEL MOUNT PIN, SEALED NECTOR M, 5 POSN	2213394-2
	A	PANEL MOUNT PIN, SEALED NECTOR M, 5 POSN	2213394-1
	POLARIZATION TYPE		DESCRIPTION

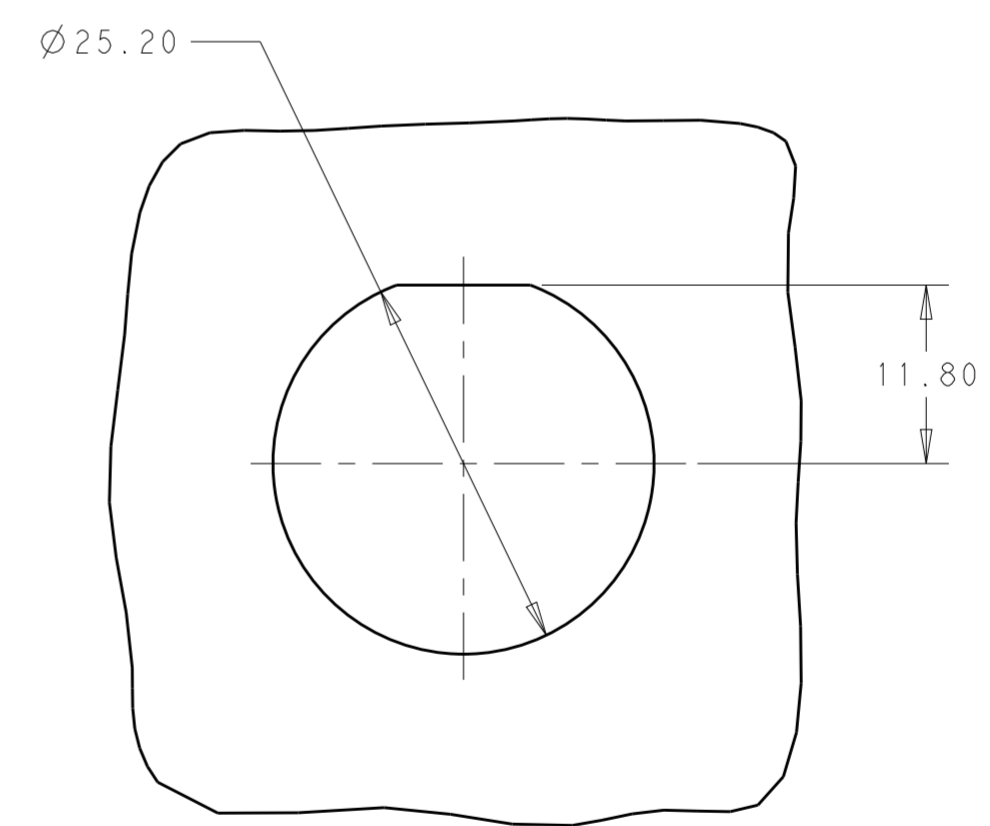
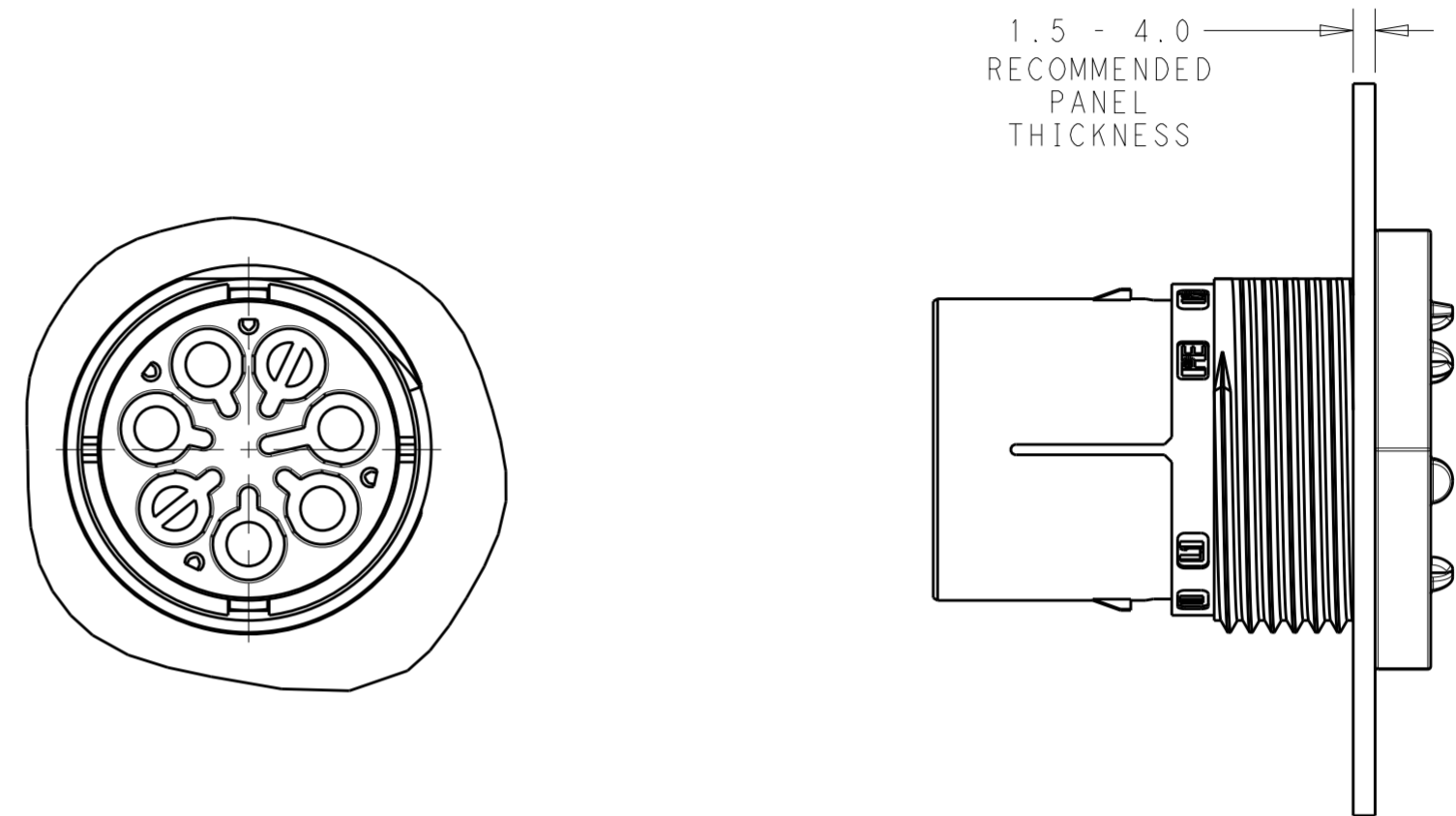
THIS DRAWING IS A CONTROLLED DOCUMENT.		DWN J. SHAFFER 21 JAN 2014	TE Connectivity	
DIMENSIONS: mm		CHK M. LUKSIC 21 JAN 2014		
TOLERANCES UNLESS OTHERWISE SPECIFIED:		APVD M. LUKSIC 21 JAN 2014	NAME PANEL MOUNT, PIN; SEALED NECTOR M-LINE 5 POLE	
0 PLC	±	PRODUCT SPEC	-	
1 PLC	±0.2	108-133014	-	
2 PLC	±0.13	APPLICATION SPEC	-	
3 PLC	±	114-32111	-	
4 PLC	±	WEIGHT	-	
ANGLES	±	Customer Drawing	-	
FINISH	-	SCALE 2:1	SHEET 1 OF 2	
NOTE 1	-	RESTRICTED TO	REV A1	

THIS DRAWING IS UNPUBLISHED. RELEASED FOR PUBLICATION 20
 © COPYRIGHT 20 BY - ALL RIGHTS RESERVED.

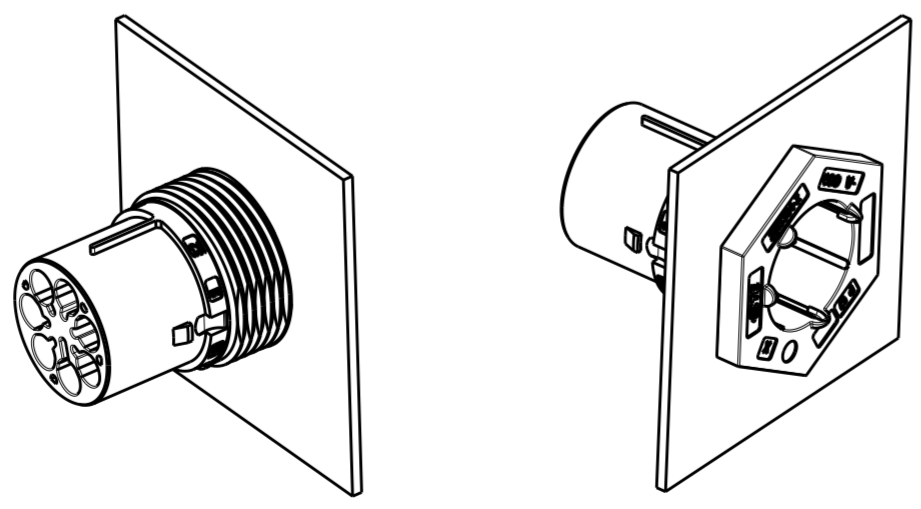
REVISIONS				
P	LTR	DESCRIPTION	DATE	APVD
-		SEE SHEET 1	-	-

POLARIZATION TYPES


POLARIZATION TYPE "A"	POLARIZATION TYPE "B"	POLARIZATION TYPE "C"
		
PN: 2213394-1	PN: 2213394-2	PN: 2213394-3
POLARIZATION TYPE "D"	POLARIZATION TYPE "E"	
		
PN: 2213394-4	PN: 2213394-5	



RECOMMENDED PANEL CUTOUT



3D ISO VIEWS FOR REFERENCE ONLY

THIS DRAWING IS A CONTROLLED DOCUMENT.		DWN J. SHAFFER 21 JAN 2014	 TE Connectivity	
DIMENSIONS: mm		CHK M. LUKSIC 21 JAN 2014		
TOLERANCES UNLESS OTHERWISE SPECIFIED:		APVD M. LUKSIC 21 JAN 2014	NAME PANEL MOUNT, PIN; SEALED NECTOR M-LINE 5 POLE	
0 PLC ±	1 PLC ±0.2	PRODUCT SPEC 108-133014	SIZE A2	CAGE CODE -
2 PLC ±0.13	3 PLC ±	APPLICATION SPEC 114-32111	DRAWING NO G-2213394	RESTRICTED TO -
4 PLC ±	ANGLES ±	WEIGHT -	SCALE 2:1	SHEET 2 OF 2
MATERIAL NOTE 1	FINISH -	Customer Drawing	REV A1	