

THIS DRAWING IS UNPUBLISHED.

RELEASED FOR PUBLICATION

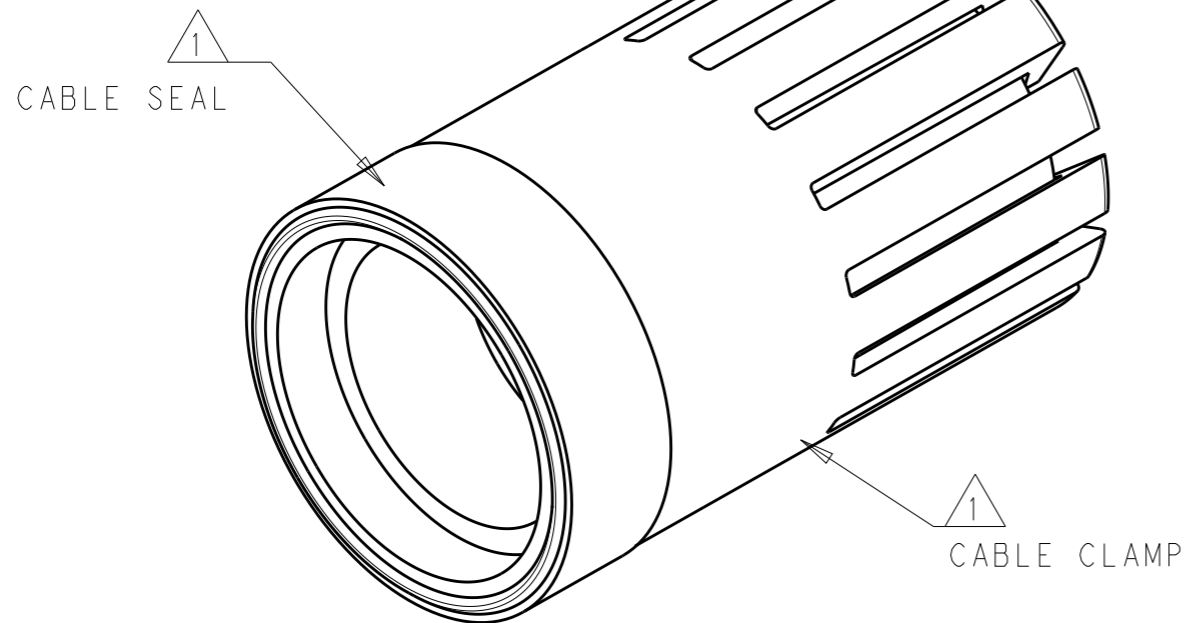
20

© COPYRIGHT 20 BY -

ALL RIGHTS RESERVED.

REVISIONS

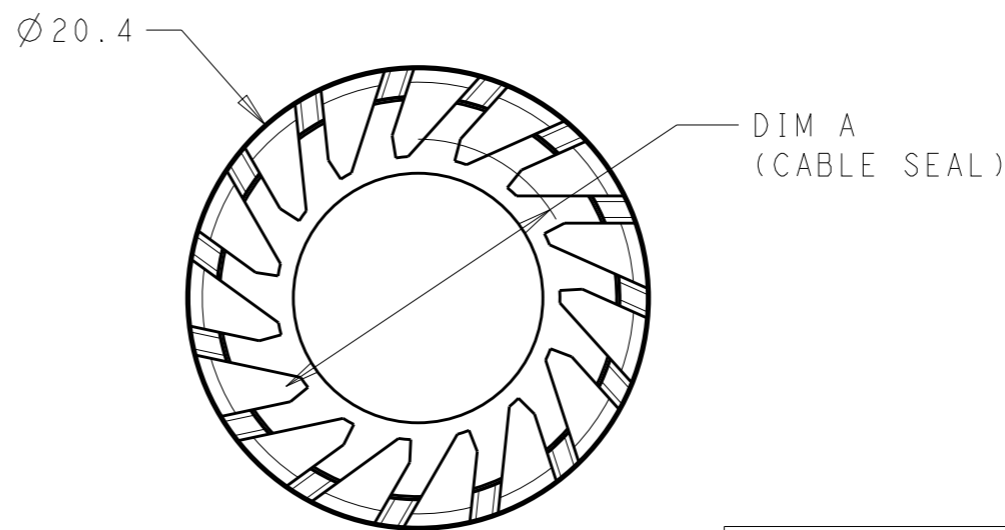
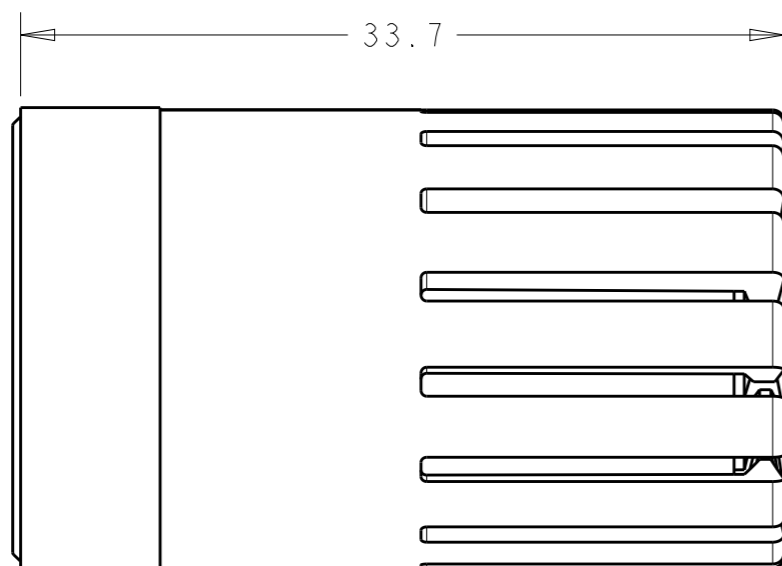
P	LTR	DESCRIPTION	DATE	DWN	APVD
	A	REVISED PER ECR-15-002016	10FEB2015	RS	LJ



NOTES:

- 1 MATERIALS:
 CABLE SEAL - THERMOPLASTIC ELASTOMER (TPE),
 COLOR BLACK
 CABLE CLAMP - GLASS FILLED PBT,
 COLOR BLACK

- 2. MUST COMPLY WITH DIRECTIVE 2002/95/EC (ROHS).
- 3. THIS PRODUCT HAS NOT COMPLETED VALIDATION TESTING.



11mm - 14mm	14.0mm	2213410-2
8mm - 11mm	11.0mm	2213410-1
CABLE DIA RANGE	DIM A	PART NO.

THIS DRAWING IS A CONTROLLED DOCUMENT.		DWN J. SHAFER 24MAR2014	TE Connectivity	
DIMENSIONS: mm		CHK M. LUKSIC 24MAR2014		
TOLERANCES UNLESS OTHERWISE SPECIFIED:		APVD M. LUKSIC 24MAR2014	NAME CABLE CLAMP/SEAL ASSY SEALED, NECTOR 3 POSN	
0 PLC ±-		PRODUCT SPEC 108-133014	SIZE A3	
1 PLC ±0.2		APPLICATION SPEC 114-32111	CAGE CODE -	DRAWING NO C-2213410
2 PLC ±0.13		WEIGHT -	RESTRICTED TO -	
3 PLC ±-		MATERIAL TBD	SCALE 1:1	
4 PLC ±-			SHEET 1 OF 1	
ANGLES ±3°		Customer Drawing		REV A
FINISH -				