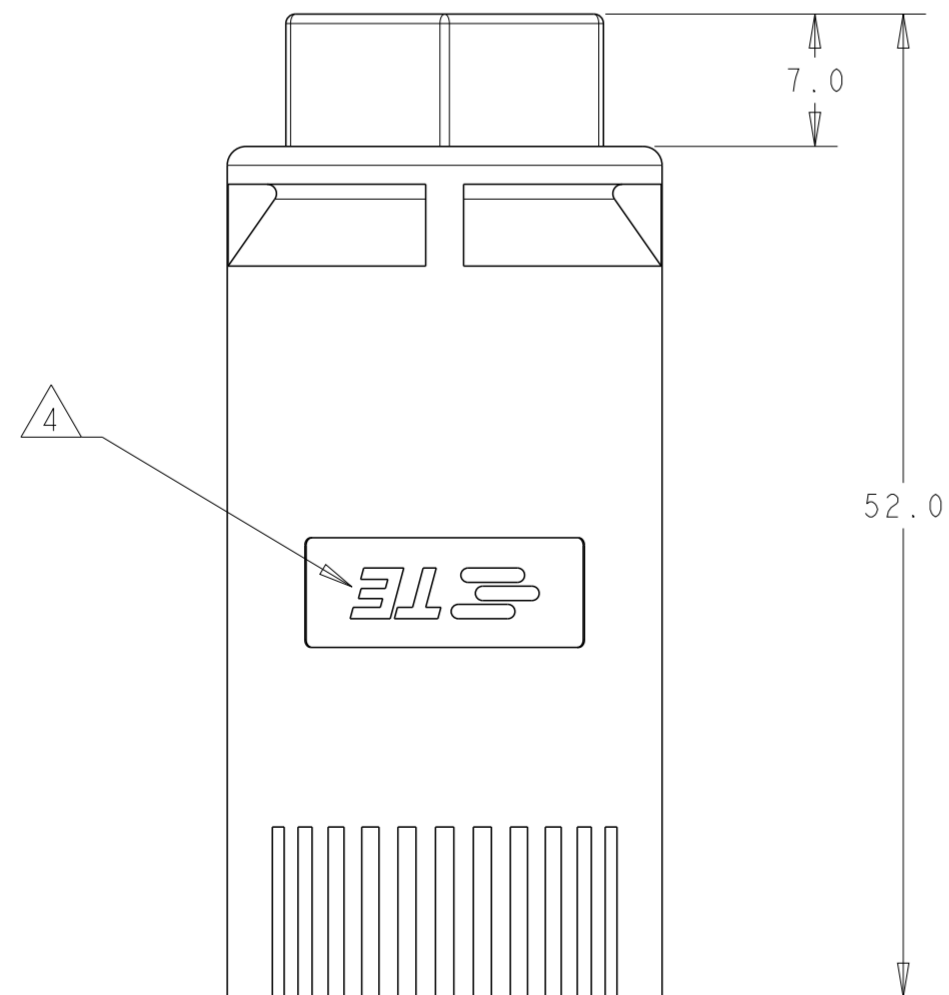
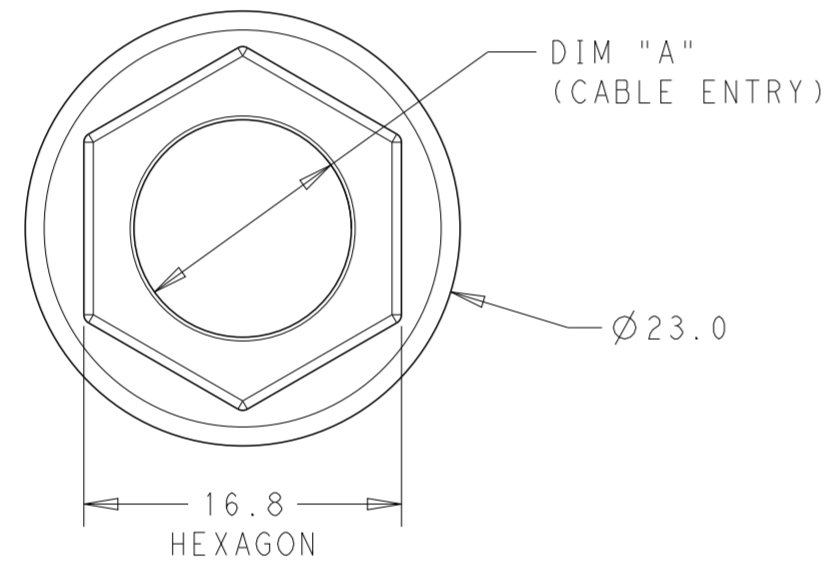
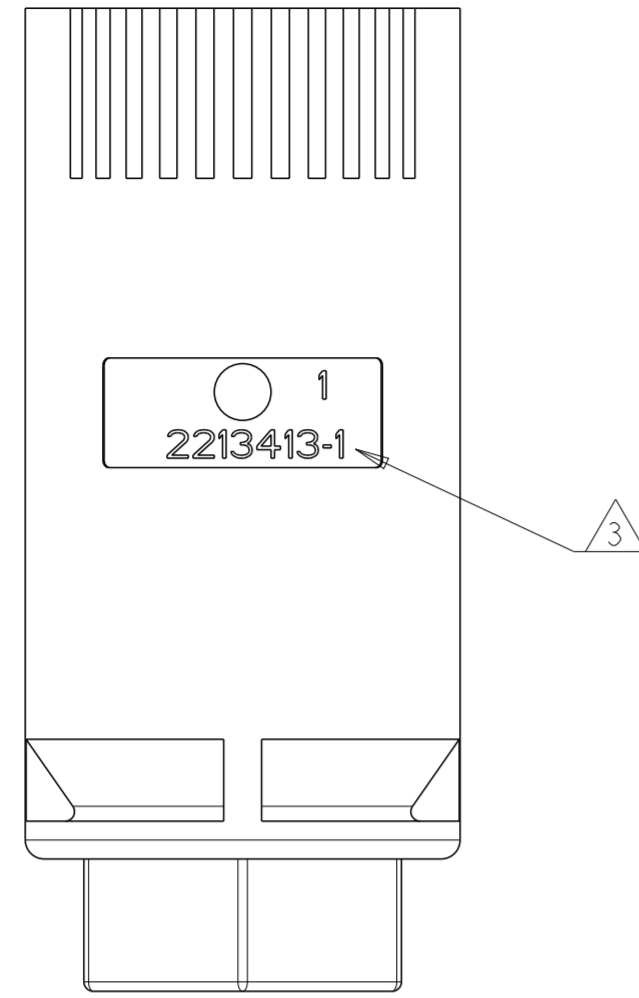


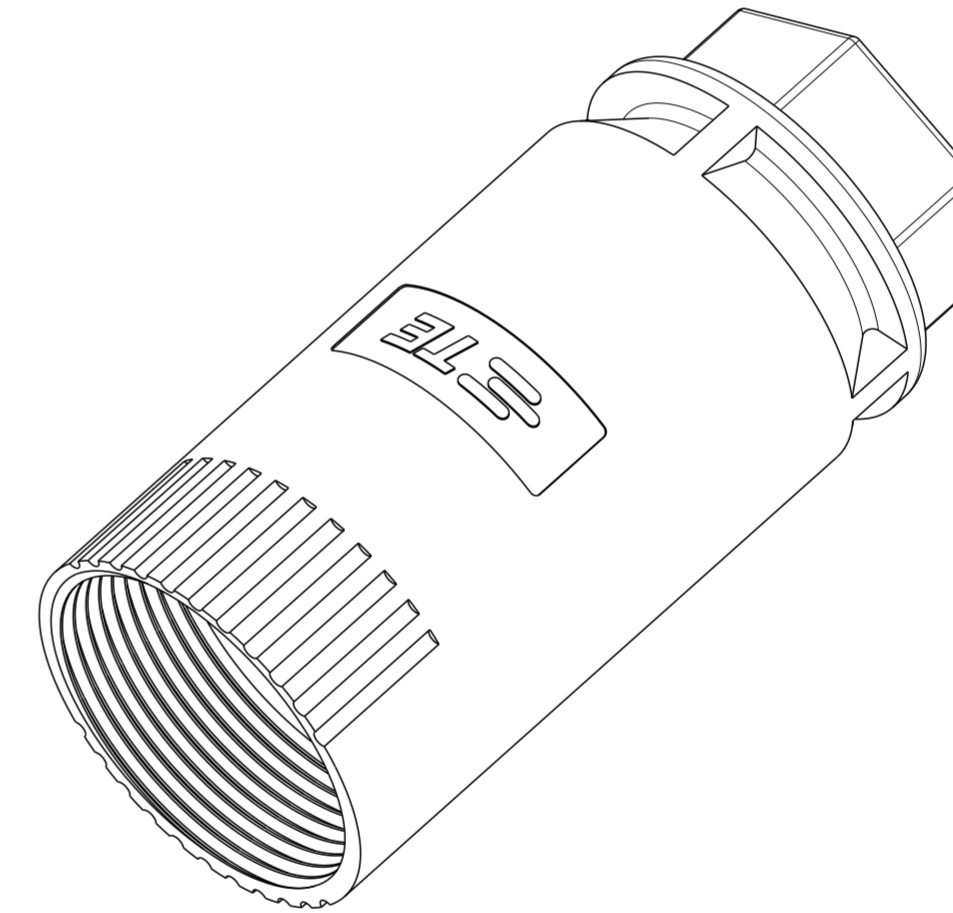
THIS DRAWING IS UNPUBLISHED. RELEASED FOR PUBLICATION 20
 © COPYRIGHT 20 BY - ALL RIGHTS RESERVED.

REVISIONS				
P	LTR	DESCRIPTION	DATE	APVD
A		ECR-15-002641	17FEB2015	KR JL



NOTES:

1. MATERIAL: GLASS FILLED PBT, COLOR: BLACK
2. MUST COMPLY WITH DIRECTIVE 2002/95/EC (ROHS)
3. TE PART NUMBER
4. TE LOGO
5. THIS PRODUCT HAS NOT COMPLETED VALIDATION TESTING



11mm - 14mm	14.5	2213413-2
8mm - 11mm	11.5	2213413-1
CABLE DIA RANGE	DIA "A"	PART NO.

THIS DRAWING IS A CONTROLLED DOCUMENT.		DWN J. SHAFFER 21MAR2014	STE TE Connectivity	
DIMENSIONS: mm		CHK M. LUKSIC 21MAR2014		
TOLERANCES UNLESS OTHERWISE SPECIFIED:		APVD M. LUKSIC 21MAR2014	NAME RING NUT, 3 POSITION SEALED, NECTOR M	
0 PLC ±	1 PLC ±0.2	PRODUCT SPEC 108-133014	SIZE A2	CAGE CODE -
2 PLC ±0.13	3 PLC ±	APPLICATION SPEC 114-32111	DRAWING NO C-2213413	RESTRICTED TO -
4 PLC ±	ANGLES ±3°	WEIGHT -	SCALE 1:1	SHEET 1 OF 1
MATERIAL TBD	FINISH -	Customer Drawing	REV A	