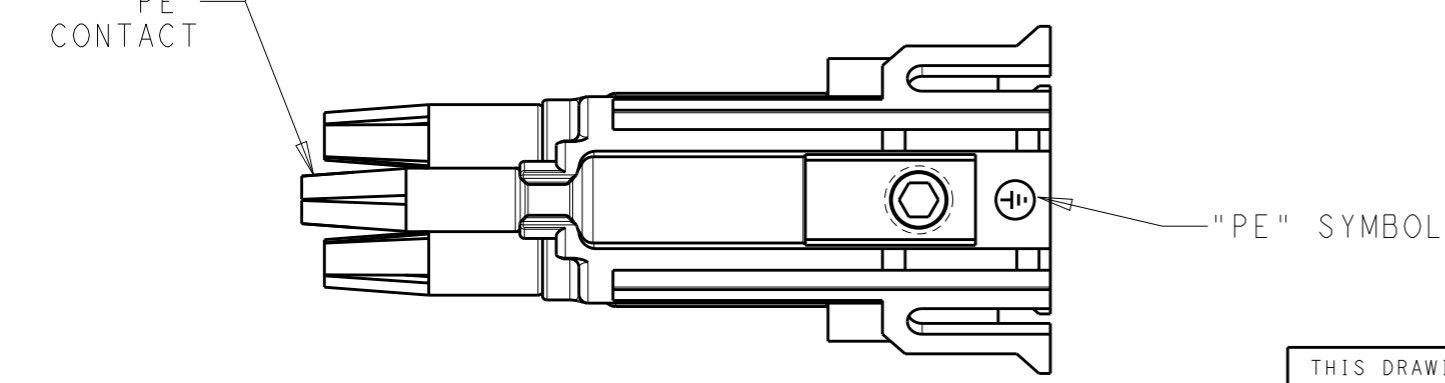
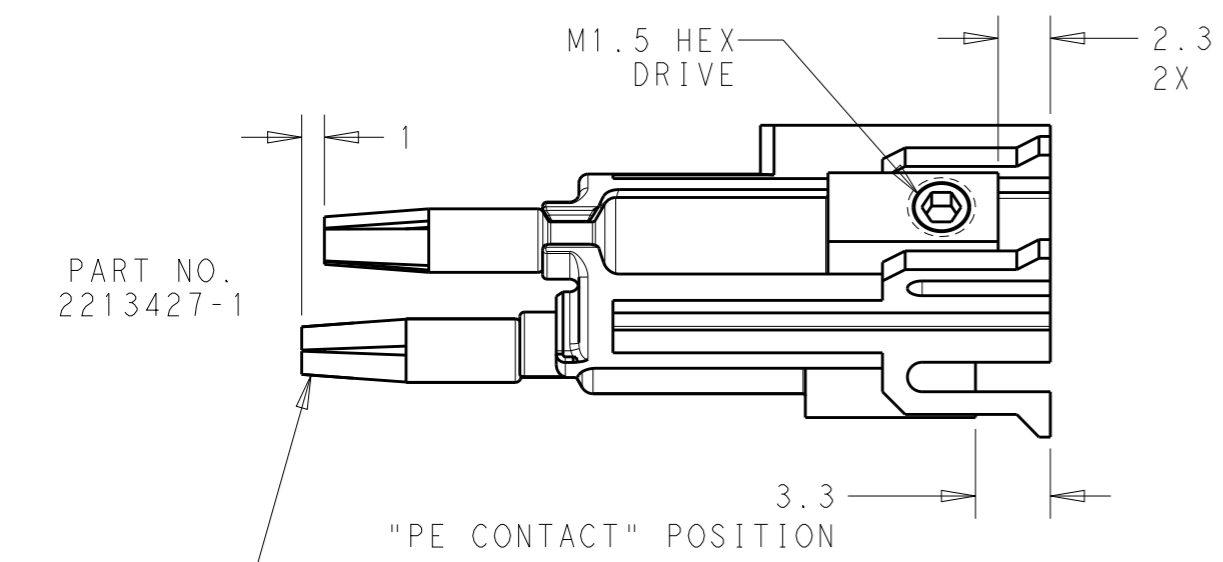
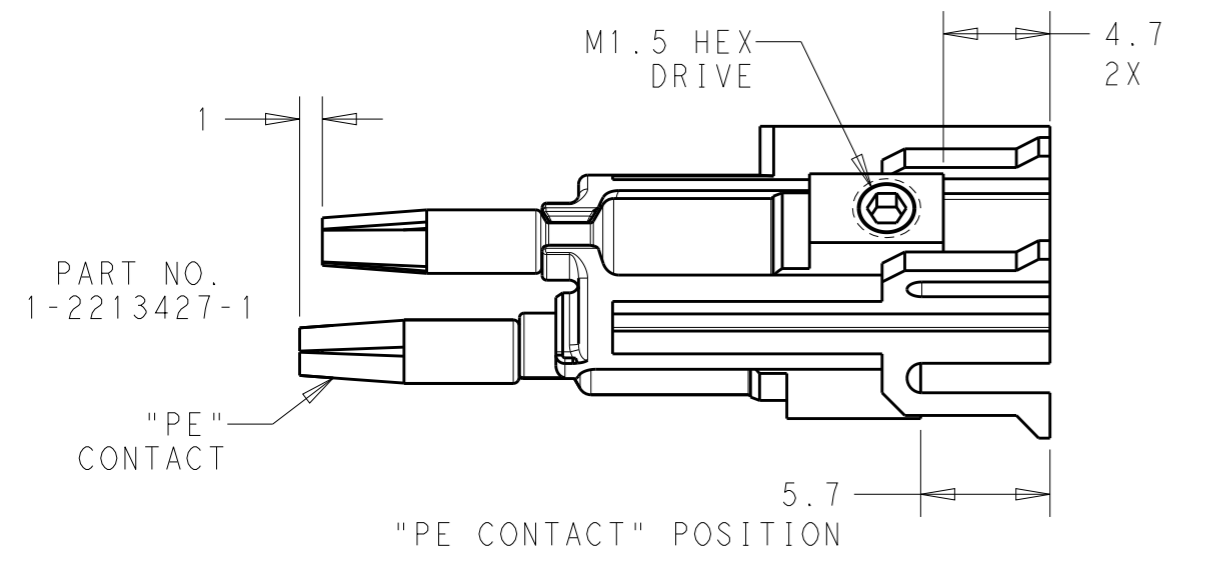
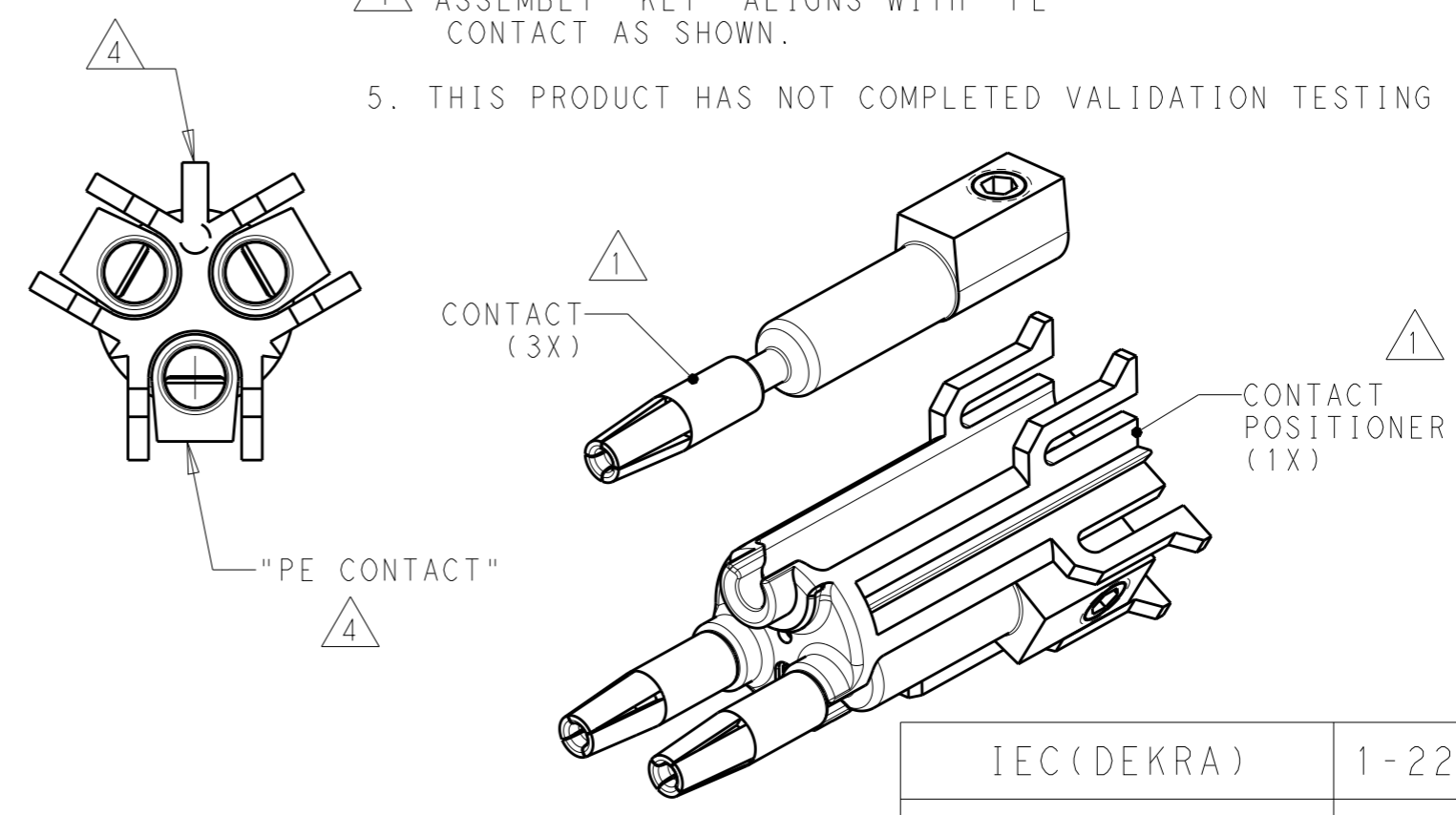


THIS DRAWING IS UNPUBLISHED. RELEASED FOR PUBLICATION 20
 © COPYRIGHT 20 BY - ALL RIGHTS RESERVED.


REVISIONS					
P	LTR	DESCRIPTION	DATE	DWN	APVD
	A	REVISED AS PER ECR-15-005925	21APR2015	RS	JL
	A1	REVISED AS PER ECR-15-009215	19JUN2015	RS	JL



- NOTES:
- 1 MATERIALS:
CONTACTS: COPPER ALLOY, TIN PLATE
CONTACT POSITIONER: GLASS FILLED PBT, COLOR BLACK.
 - 2. MUST COMPLY WITH DIRECTIVE 2002/95/EC (ROHS)
 - 3. CONTACTS (3X) ARE PRE-ASSEMBLED INTO CONTACT POSITIONER AS SHOWN.
 - 4 ASSEMBLY "KEY" ALIGNS WITH "PE" CONTACT AS SHOWN.
 - 5. THIS PRODUCT HAS NOT COMPLETED VALIDATION TESTING



IEC (DEKRA)	1-2213427-1
UL	2213427-1
AGENCY APPROVALS	PART NO.

THIS DRAWING IS A CONTROLLED DOCUMENT.		DWN J. SHAFFER 31MAR2014	 TE Connectivity		
DIMENSIONS: mm		CHK M. LUKSIC 31MAR2014			
TOLERANCES UNLESS OTHERWISE SPECIFIED:		APVD M. LUKSIC 31MAR2014	NAME ASSY, FI SOCKET, NECTOR M-LINE SEALED, 3 POSN		
0 PLC ±-		PRODUCT SPEC 108-133014	SIZE A3		
1 PLC ±0.2		APPLICATION SPEC 114-32111	CAGE CODE -	DRAWING NO C-2213427	RESTRICTED TO -
2 PLC ±0.13		WEIGHT -	SCALE 1:1		
3 PLC ±-		SHEET 1 OF 1			
4 PLC ±-		REV A1			
ANGLES ±		Customer Drawing			
FINISH -		-			