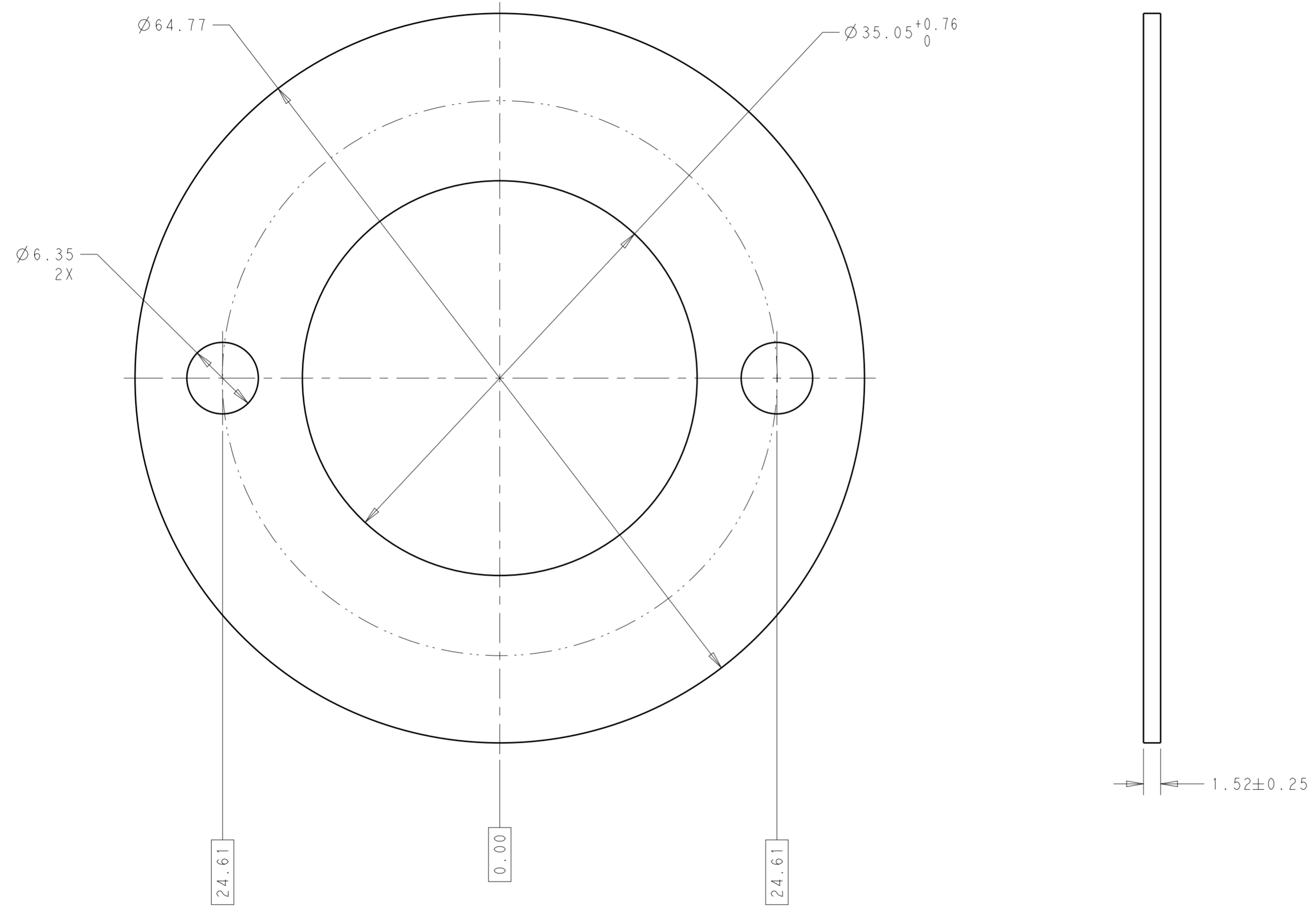


THIS DRAWING IS UNPUBLISHED. RELEASED FOR PUBLICATION 20  
 © COPYRIGHT 20 BY - ALL RIGHTS RESERVED.

REVISIONS				
P	LTR	DESCRIPTION	DATE	APVD
A		REVISED PER ECR-15-006734	12MAY2015	RS DD
B		REVISED PER ECR-17-012706	31AUG2017	RK PO



- NOTES:
- MATERIAL: CORK/RUBBER COMPOSITE.
  - PACKAGE 100 PIECES PER POLYBAG.

2213469-1  
PART NO.

THIS DRAWING IS A CONTROLLED DOCUMENT.		DWN J. SHAFFER 19DEC2013	TE Connectivity	
DIMENSIONS: mm		CHK E. HOWARD 19DEC2013		
TOLERANCES UNLESS OTHERWISE SPECIFIED:		APVD E. HOWARD 19DEC2013	NAME GASKET, DIMMING RECEPTACLE	
0 PLC $\pm$	1 PLC $\pm$	PRODUCT SPEC	SIZE A2	CAGE CODE -
2 PLC $\pm 0.38$	3 PLC $\pm$	APPLICATION SPEC	DRAWING NO C-2213469	RESTRICTED TO -
4 PLC $\pm$	ANGLES $\pm$	WEIGHT -	SCALE 1:1	SHEET 1 OF 1
MATERIAL	FINISH	Customer Drawing	REV B	