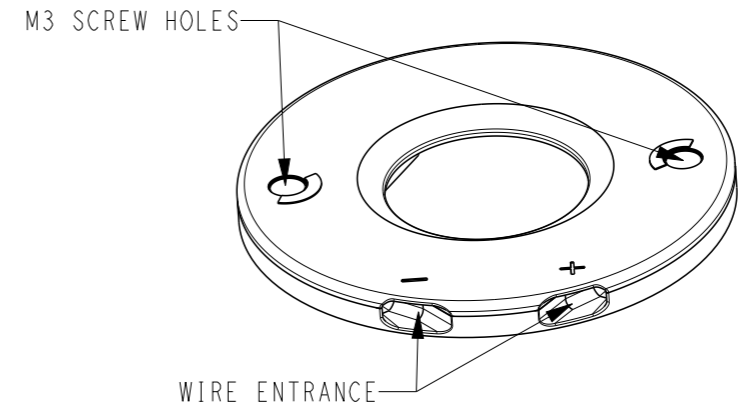
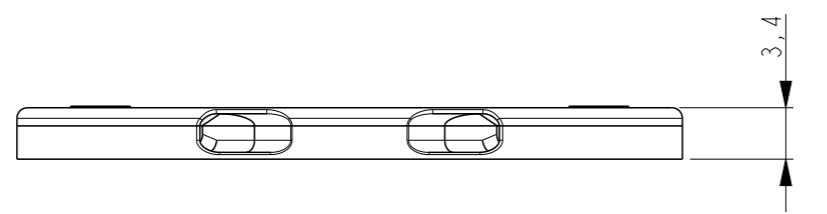
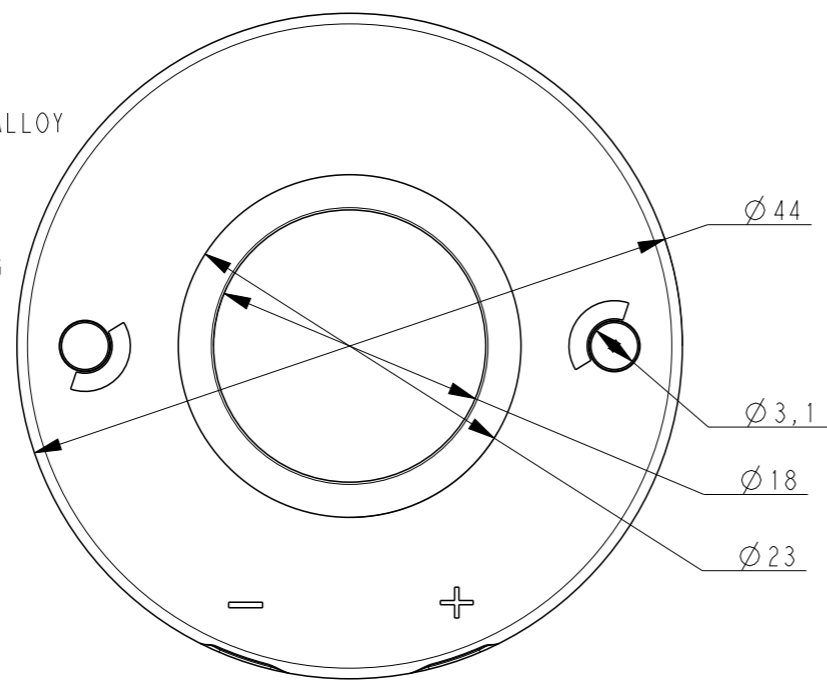


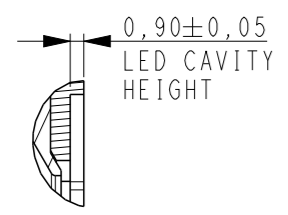
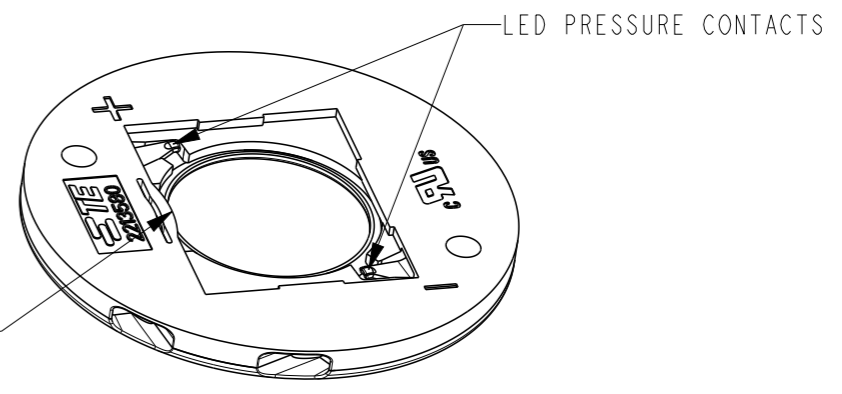
THIS DRAWING IS UNPUBLISHED. RELEASED FOR PUBLICATION
 © COPYRIGHT - BY TYCO ELECTRONICS CORPORATION. ALL RIGHTS RESERVED.

LOC	DIST	REVISIONS			
P	LTR	DESCRIPTION	DATE	DWN	APVD
	B	ADDED RELEASED LED	06FEB2017	KR	MvE
	C	REVISED PER ECR-17-005513	04APR2017	SK	MVE
	C1	REVISED PER ECR-17-016356	07NOV2017	RK	OL
	C2	REVISED PER ECR-19-017764	21NOV2019	SB	DD

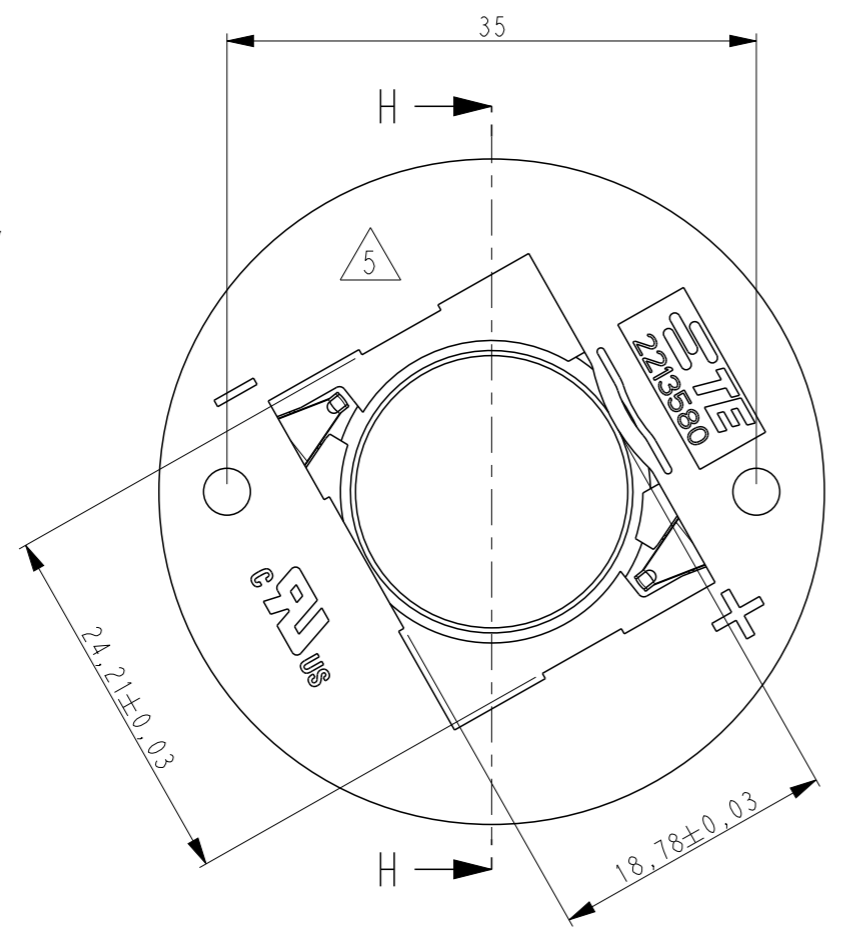
- NOTES:
- MATERIALS:
HOUSING: GLASS FILLED PBT,
HALOGEN FREE FLAME RETARDANT,
COLOR : NATURAL/WHITE
CONTACTS: SILVER PLATED COPPER ALLOY
 - FOR SOLID AND STRANDED WIRE
AWG 22-18
 - COMPLIES WITH
DIRECTIVE 2002/95/EC (ROHS)
 - M3 SCREW TO BE USED FOR MOUNTING
 - DATE CODE YY-WW-D ANY WHERE
EXCEPT OVER LOGO OR +/- SIGN.
 - FOR COB-TO-HOLDER CROSS
REFERENCE, REFER TO APPLICATION
SPECIFICATION 114-32208



SCALE 3:2




SECTION H-H



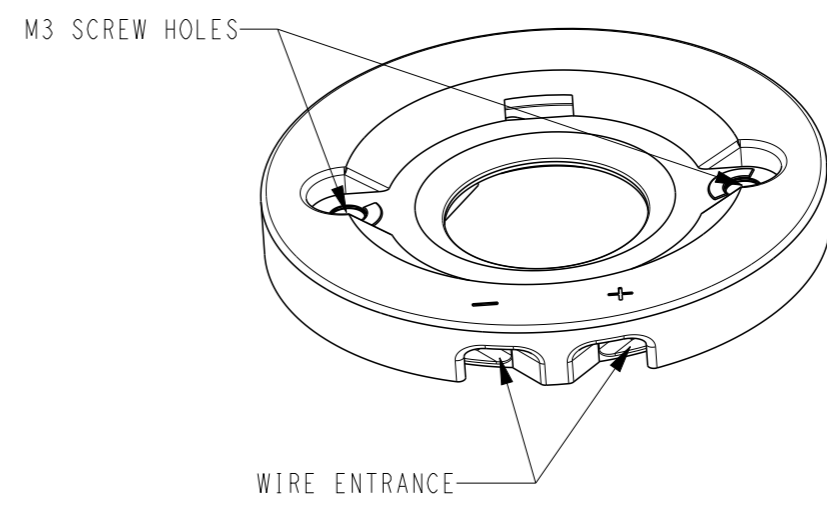
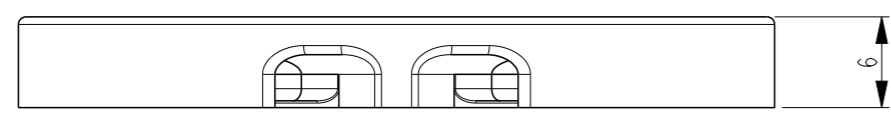
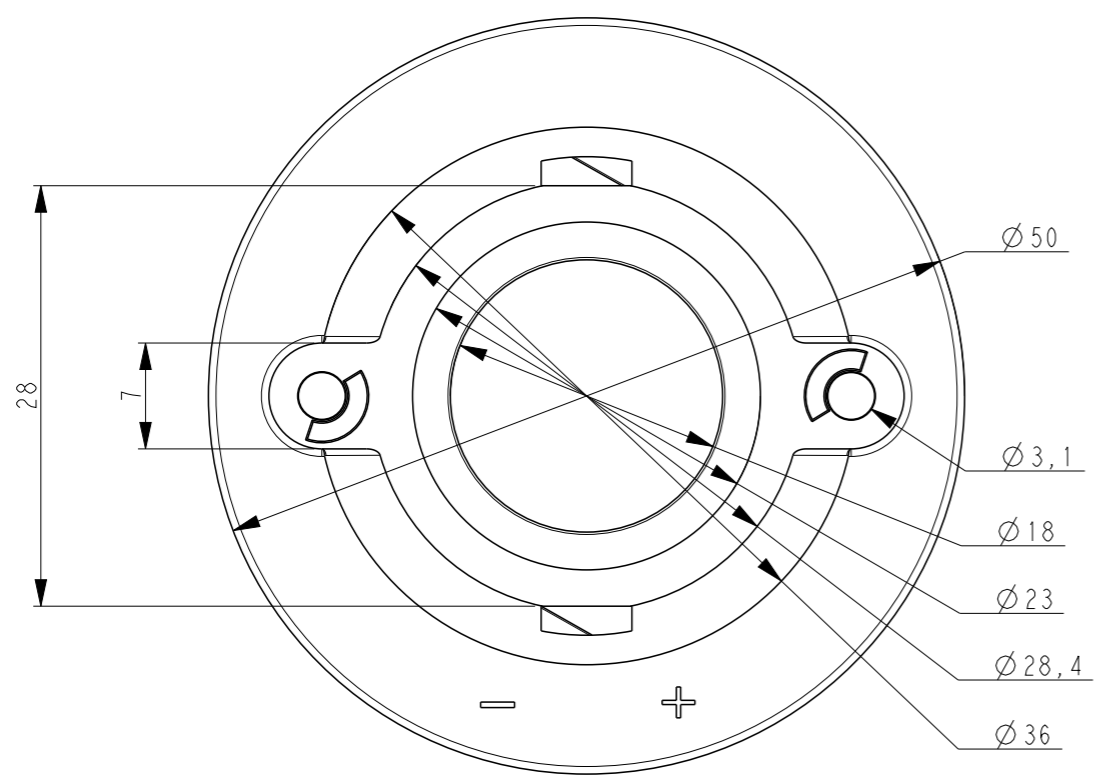
2213580-1 AS SHOWN
LUMAWISE LED HOLDER Z50 LOW PROFILE

LUMAWISE LED HOLDER Z50 STANDARD PROFILE 1924	2213580-2
LUMAWISE LED HOLDER Z50 LOW PROFILE 1924	2213580-1
DESCRIPTION	PART NO

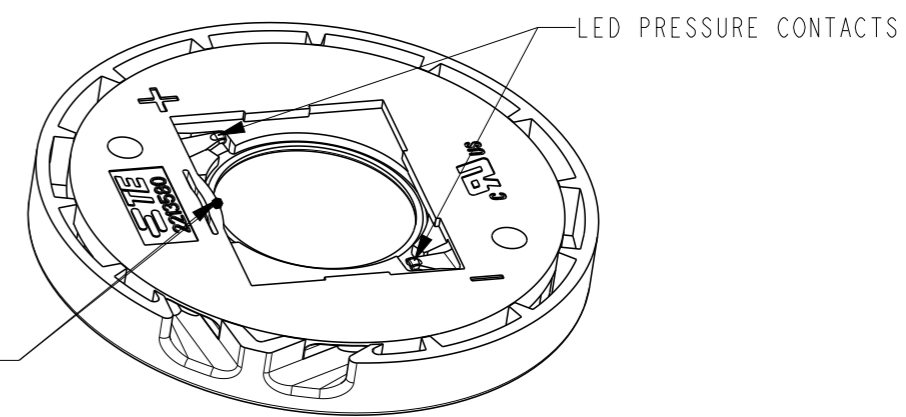
THIS DRAWING IS A CONTROLLED DOCUMENT. DIMENSIONING AND TOLERANCING PER ASME Y14.5M-2009.		DWN M.V.ESSEN 3 NOV '14	 TE Connectivity NAME LUMAWISE LED HOLDER Z50 1924				
DIMENSIONS: mm		CHK C.V.STEENDEREN 6 NOV '14					
TOLERANCES UNLESS OTHERWISE SPECIFIED:		APVD O.IEIJNSE 7 NOV '14					
0 PLC ±- 1 PLC ±- 2 PLC ±- 3 PLC ±- 4 PLC ±- ANGLES ±-		PRODUCT SPEC 108-133008					
MATERIAL	FINISH	APPLICATION SPEC 114-32048	SIZE A3	CAGE CODE 00779	DRAWING NO C-2213580	RESTRICTED TO	
		WEIGHT	Customer Drawing		SCALE 2:1	SHEET 1 OF 3	REV C2

THIS DRAWING IS UNPUBLISHED. RELEASED FOR PUBLICATION
 © COPYRIGHT - BY TYCO ELECTRONICS CORPORATION. ALL RIGHTS RESERVED.

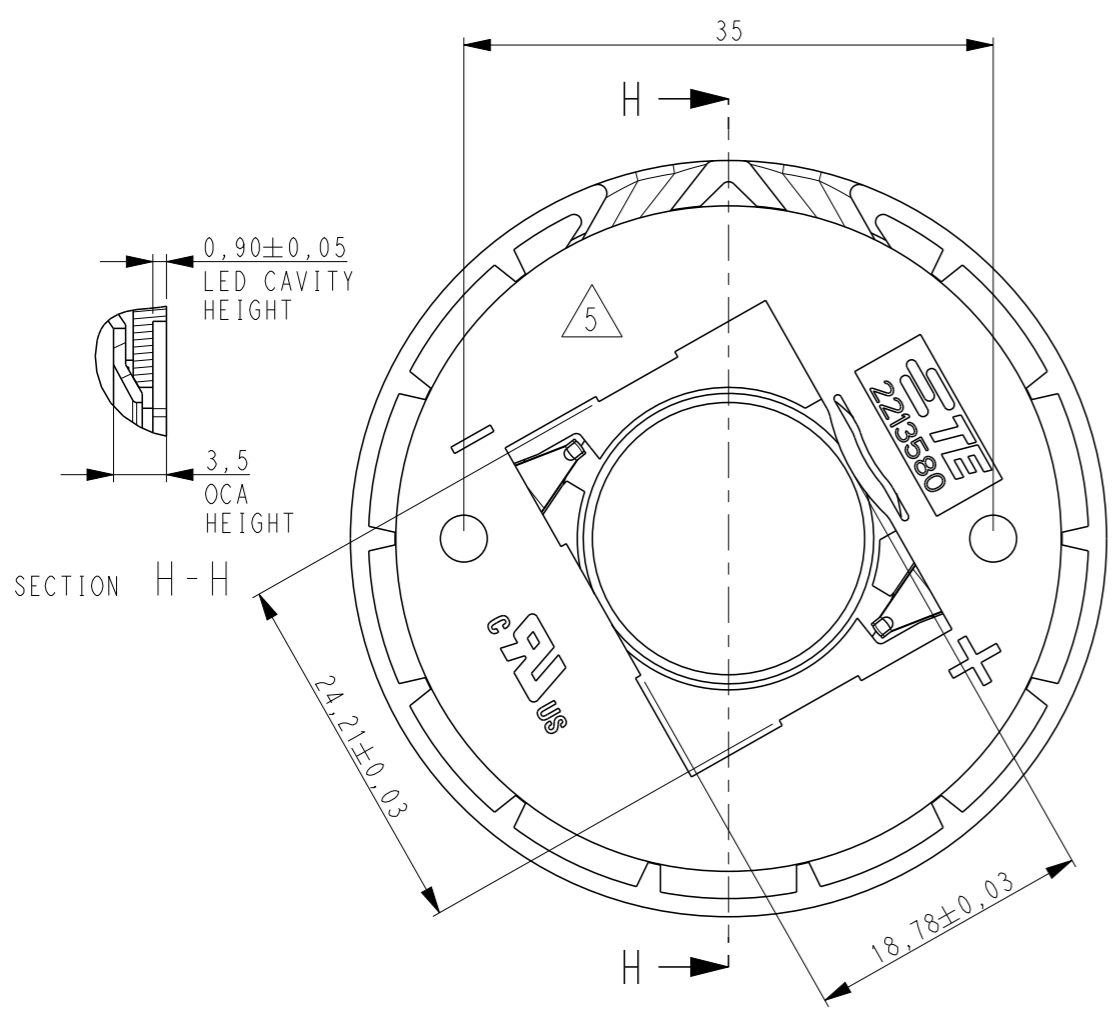
LOC	DIST	REVISIONS					
H	-	P	LTR	DESCRIPTION	DATE	DWN	APVD
				SEE SHEET 1			



SCALE 3:2



2213580-2 AS SHOWN
 LUMAWISE LED HOLDER Z50 STANDARD PROFILE



THIS DRAWING IS A CONTROLLED DOCUMENT.		DWN M.V.ESSSEN 3 NOV'14	TE Connectivity NAME LUMAWISE LED HOLDER Z50 1924				
DIMENSIONS: mm		CHK C.V.STEENDEREN 6 NOV'14					
TOLERANCES UNLESS OTHERWISE SPECIFIED:		APVD O.I.FIJNSE 7 NOV'14					
0 PLC ±- 1 PLC ±- 2 PLC ±- 3 PLC ±- 4 PLC ±- ANGLES ±-		PRODUCT SPEC 108-133008	SIZE A3	CAGE CODE 00779	DRAWING NO C-2213580	RESTRICTED TO -	
MATERIAL -		FINISH -	WEIGHT -	SCALE 2:1		SHEET 2 OF 3	REV C2
Customer Drawing							