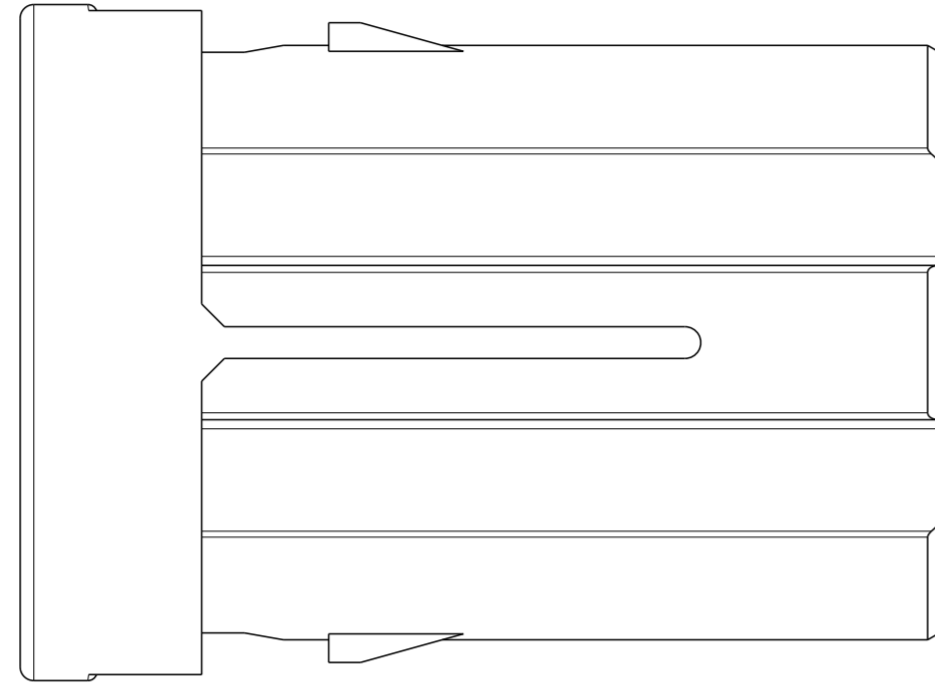


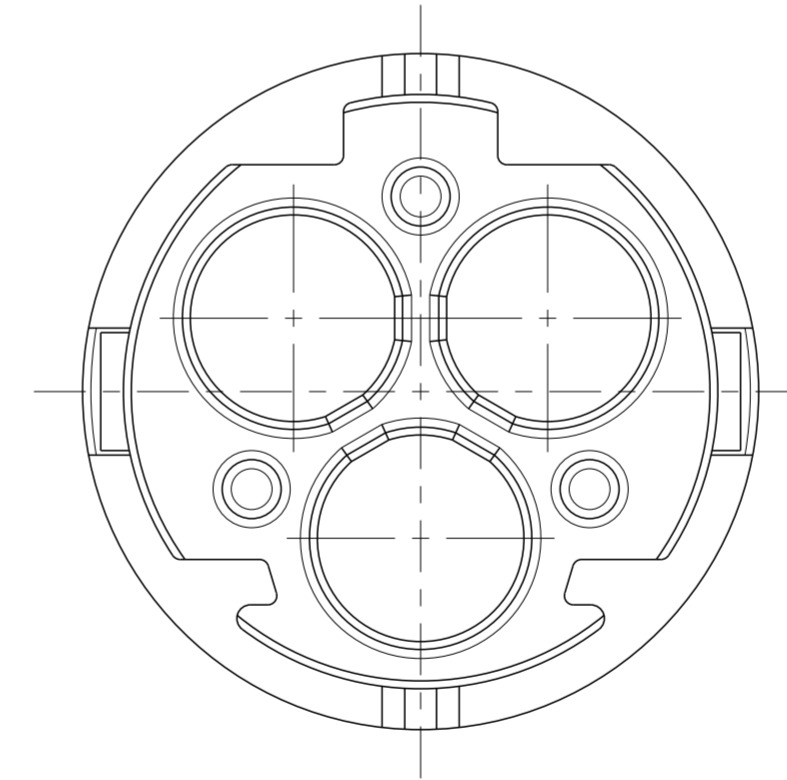
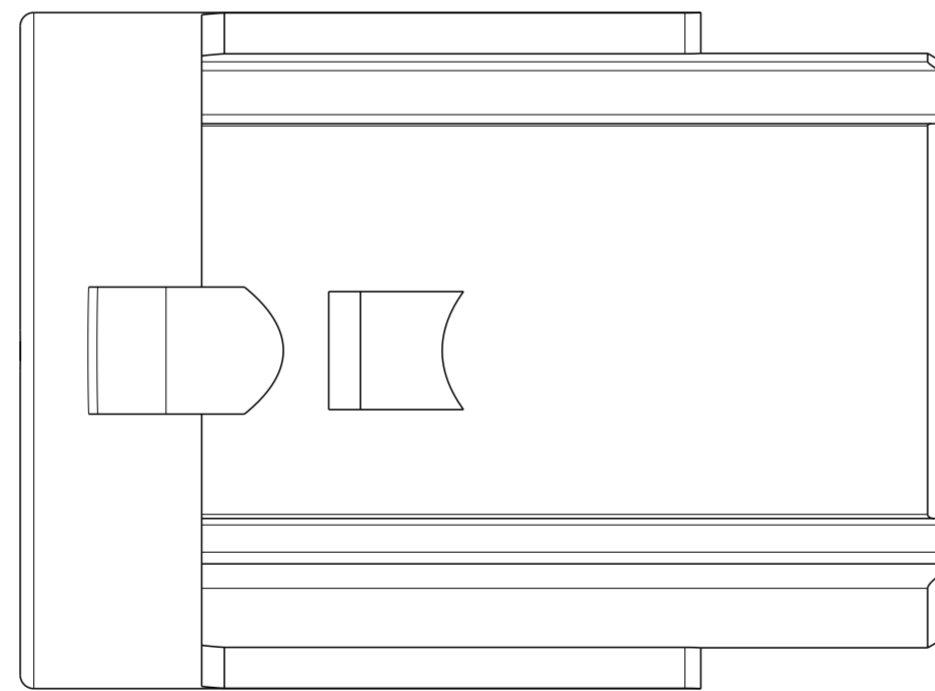
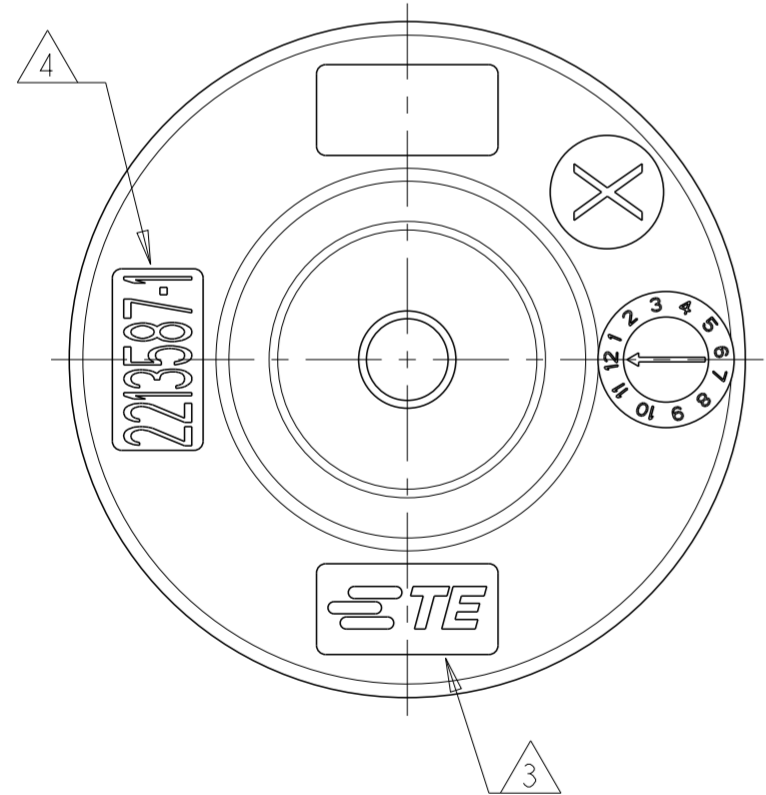
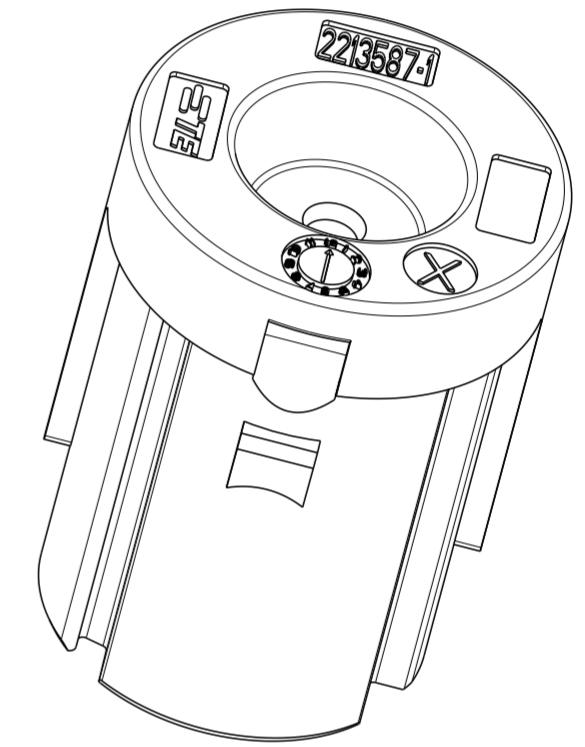
THIS DRAWING IS UNPUBLISHED. RELEASED FOR PUBLICATION 20
 © COPYRIGHT 20 BY - ALL RIGHTS RESERVED.

REVISIONS				
P	LTR	DESCRIPTION	DATE	APVD
1		NEW DRAWING	07JAN2015	JS ML
A		ECR-15-003851	10MAR2015	KR JL




NOTES:

- 1 MATERIAL: GLASS FILLED PBT
COLOR: BLACK
- 2. MUST COMPLY WITH DIRECTIVE 2002/95/EC (ROHS)
- 3 TE LOGO
- 4 TE PART NUMBER



2213587-1
PART NO.

THIS DRAWING IS A CONTROLLED DOCUMENT.		DWN J. SHAFFER 07JAN2015	 TE Connectivity	
DIMENSIONS: mm		CHK M. LUKSIC 07JAN2015		
TOLERANCES UNLESS OTHERWISE SPECIFIED:		APVD M. LUKSIC 07JAN2015	NAME SOCKET CAP, SEALED NECTOR M-LINE, 3 POSN	
0 PLC ± 1 PLC ±0.5 2 PLC ±0.13 3 PLC ±0.013 4 PLC ±0.0001 ANGLES ±		PRODUCT SPEC -	SIZE A2	
MATERIAL 1		APPLICATION SPEC -	CAGE CODE -	DRAWING NO G-2213587
FINISH -		WEIGHT -	RESTRICTED TO -	SCALE 4:1
		Customer Drawing	SHEET 1	OF 1
			REV A	