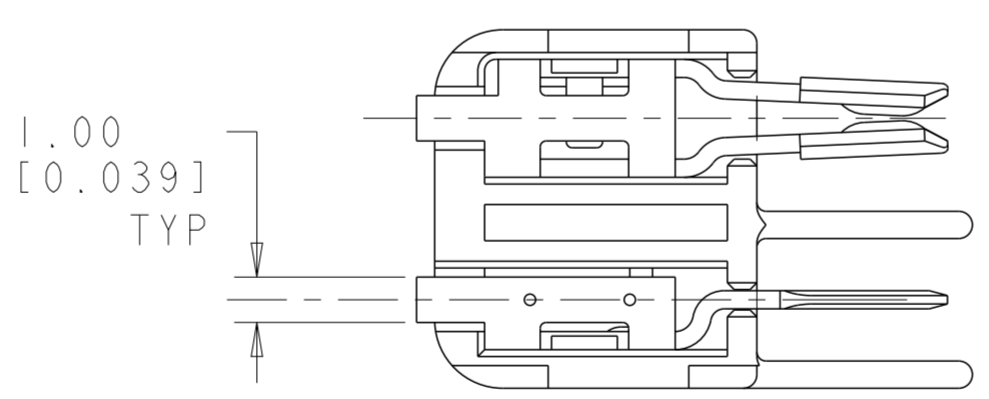
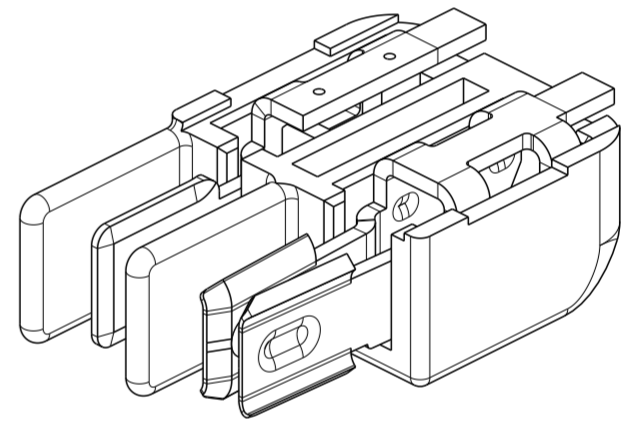
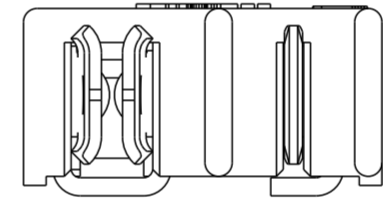
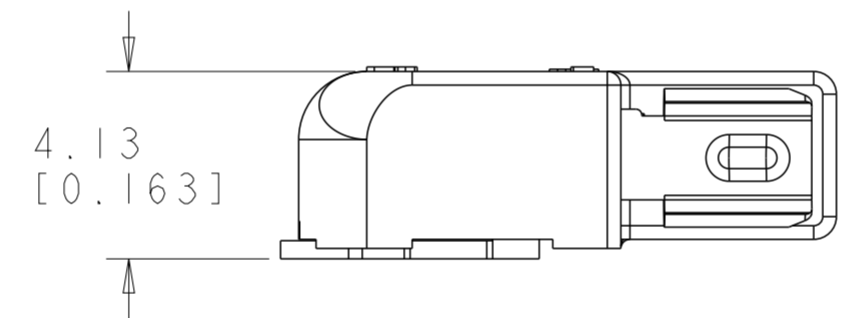
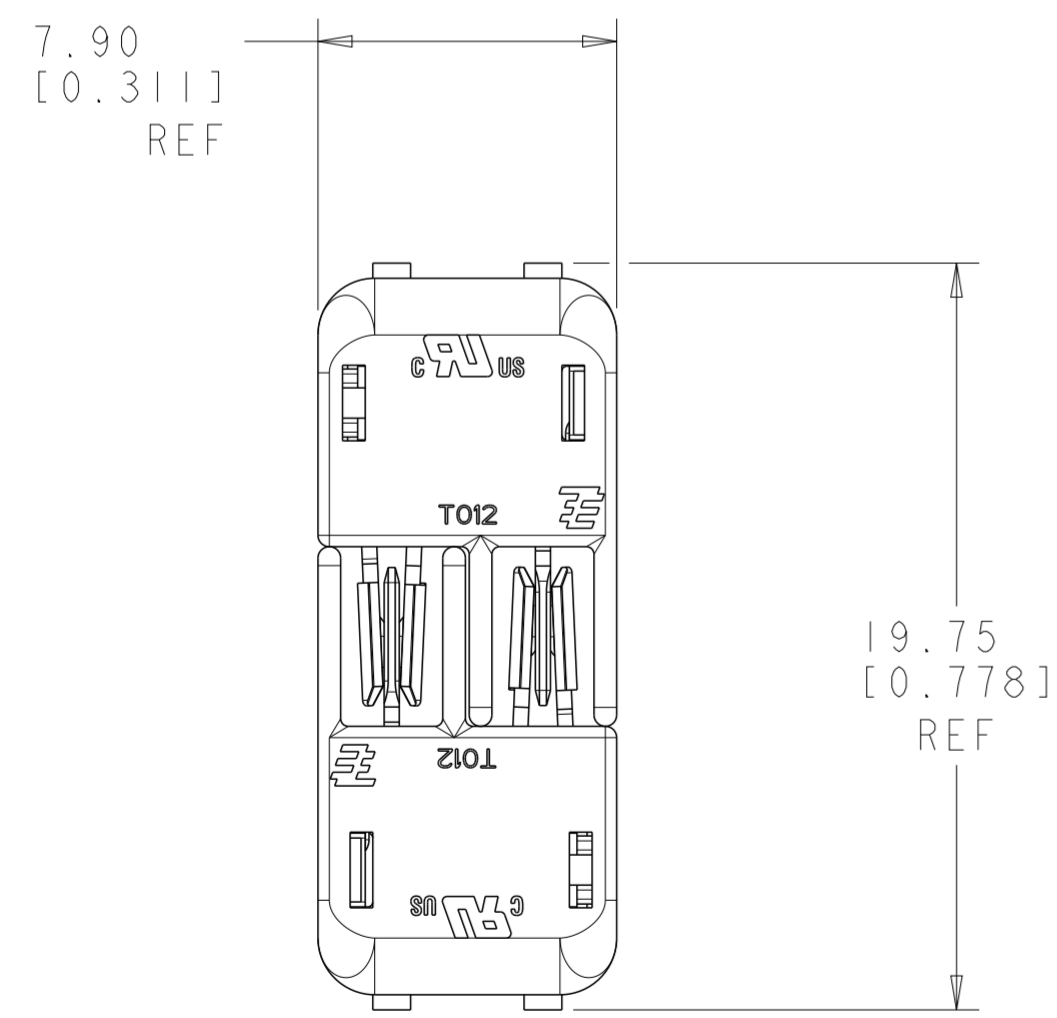
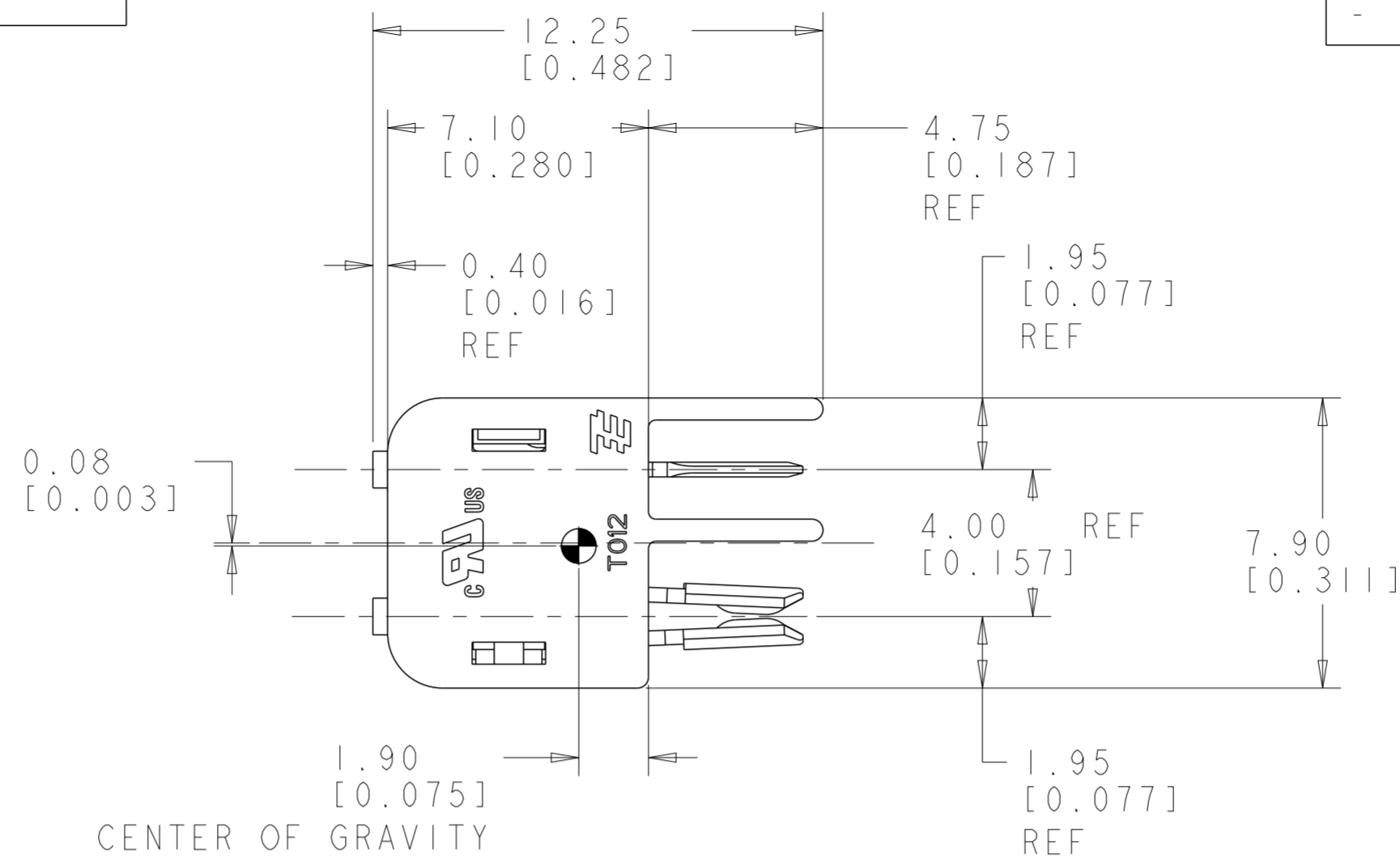


THIS DRAWING IS UNPUBLISHED. RELEASED FOR PUBLICATION 20  
 © COPYRIGHT 20 BY - ALL RIGHTS RESERVED.

LOC		DIST		REVISIONS			
P	LTR	DESCRIPTION	DATE	DWN	APVD		
A		REVISED PER ECR-16-005567	19APR2016	RS	DD		
AI		REVISED PER ECR-16-010299	20JUL2016	RS	PO		

NOTES:  
 1 MATERIALS AND FINISH  
 - HOUSING: LCP  
 - CONTACTS: COPPER ALLOY,  
 FINISH: TIN AND SELECT GOLD  
 2 PRODUCT TO COMPLY WITH  
 DIRECTIVE 2002/95/EC (ROHS)  
 3 PACKAGED IN TAPE AND REEL



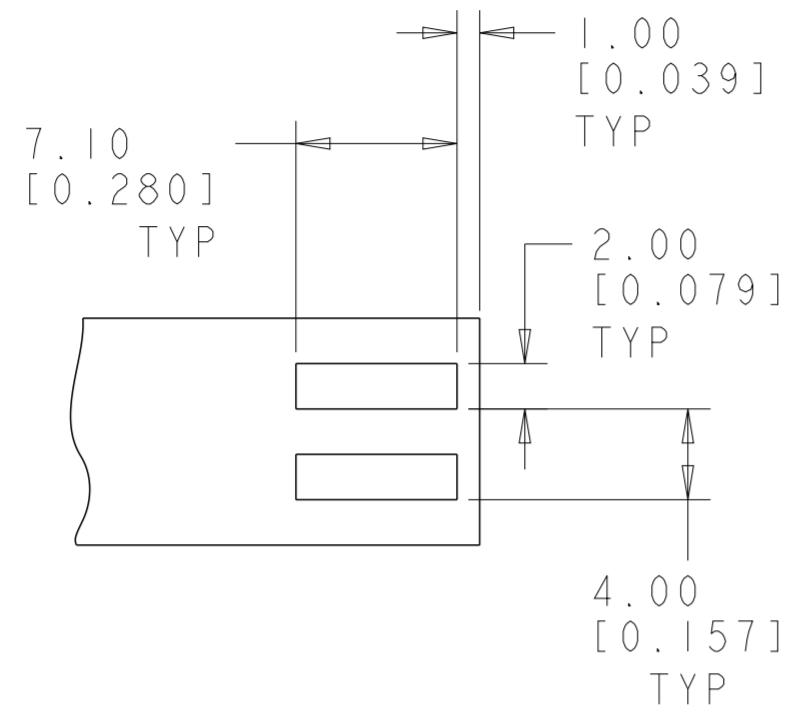
MATED PAIRS SHOWN FOR REFERENCE

6	BLACK	1-2213613-3
4	BLACK	1-2213613-2
2	BLACK	1-2213613-1
6	NATURAL	2213613-3
4	NATURAL	2213613-2
2	NATURAL	2213613-1
POSITION		COLOR
		PART NO.

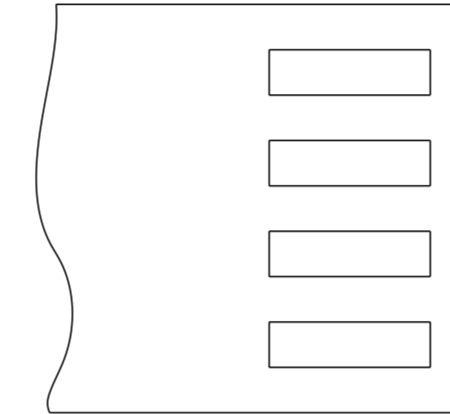
THIS DRAWING IS A CONTROLLED DOCUMENT.		DWN RAVLS 17JAN2015	TE Connectivity	
DIMENSIONS: mm		CHK D. DECKER 17JAN2015		
TOLERANCES UNLESS OTHERWISE SPECIFIED: 0 PLC ± 1 PLC ± 2 PLC ±0.13 3 PLC ±0.013 4 PLC ± ANGLES ±1° FINISH		APVD D. DECKER 17JAN2015	NAME CONNECTOR ASSEMBLY, HERMAPHRODITIC BLADE AND RECEPTACLE	
MATERIAL		PRODUCT SPEC 108-2342	RESTRICTED TO	
		APPLICATION SPEC 114-13225	SIZE A200779	CAGE CODE C-2213613
		WEIGHT -	DRAWING NO C-2213613	REV AI
		CUSTOMER DRAWING	SCALE 6:1	SHEET 1 OF 2

THIS DRAWING IS UNPUBLISHED. RELEASED FOR PUBLICATION 20  
 © COPYRIGHT 20 BY - ALL RIGHTS RESERVED.

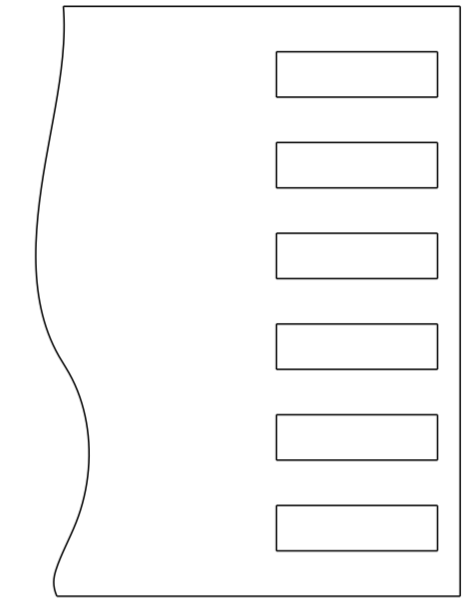
LOC		DIST		REVISIONS				
P	LTR	DESCRIPTION			DATE	DWN	APVD	
-	-	SEE SHEET 1			-	-	-	



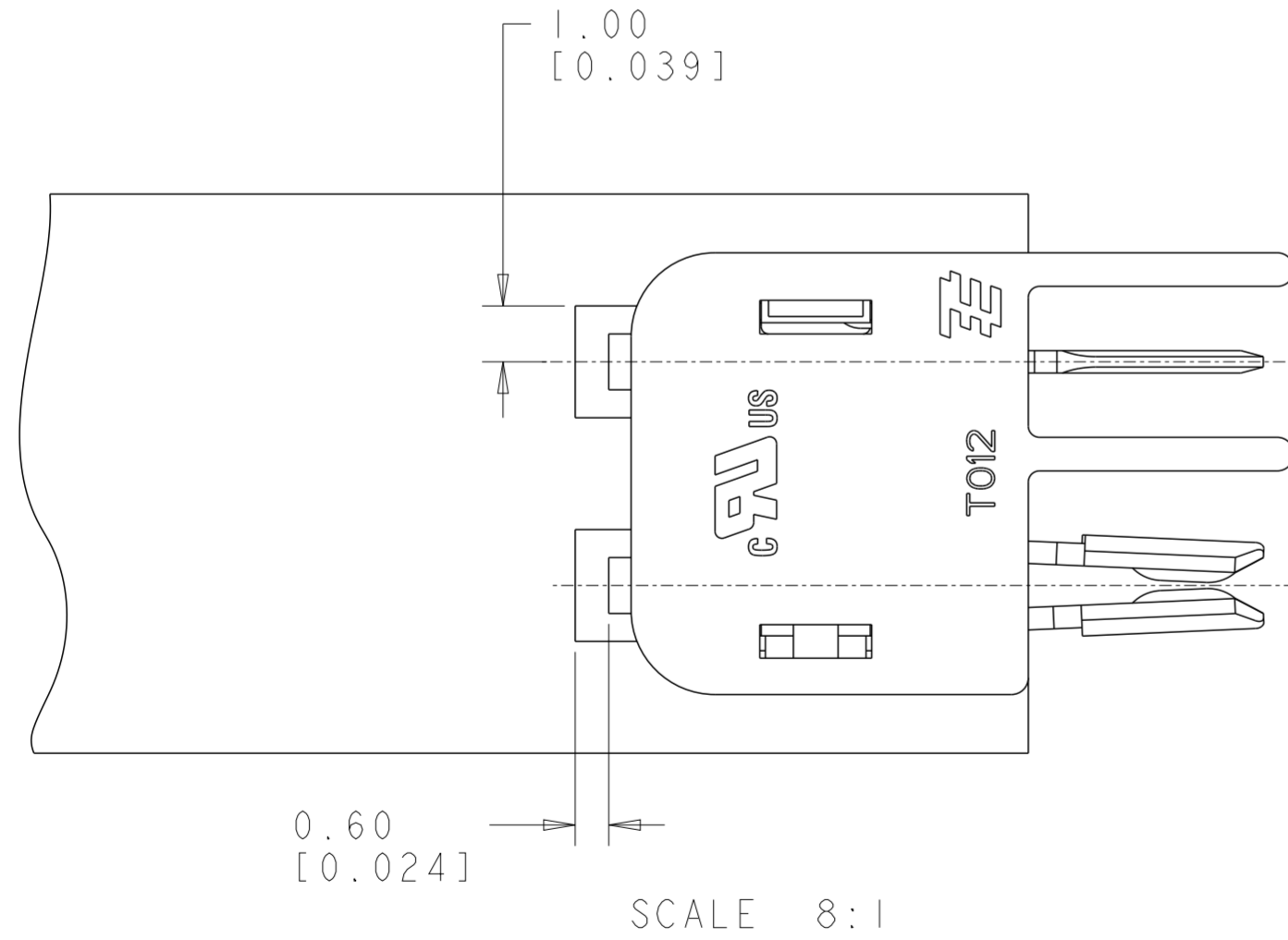
RECOMMENDED PCB LAYOUT FOR 2213613-1 & 1-2213613-1



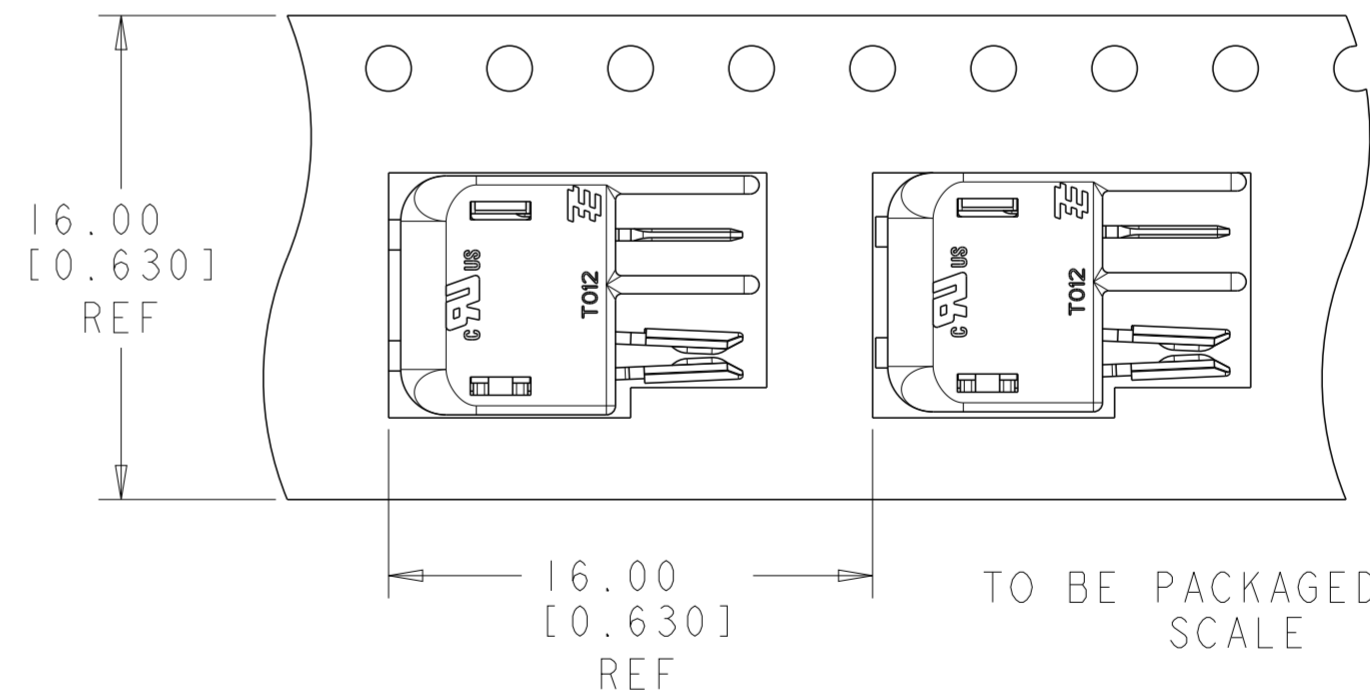
RECOMMENDED PCB LAYOUT FOR 2213613-2 & 1-2213613-2




RECOMMENDED PCB LAYOUT FOR 2213613-3 & 1-2213613-3



SCALE 8:1



TO BE PACKAGED AS SHOWN SCALE 4:1

THIS DRAWING IS A CONTROLLED DOCUMENT.		DWN RAVLS 17JAN2015	 TE Connectivity	
DIMENSIONS: mm		CHK D. DECKER 17JAN2015		
TOLERANCES UNLESS OTHERWISE SPECIFIED:		APVD D. DECKER 17JAN2015	NAME CONNECTOR ASSEMBLY, HERMAPHRODITIC BLADE AND RECEPTACLE	
0 PLC ± 1 PLC ± 2 PLC ±0.13 3 PLC ±0.013 4 PLC ± ANGLES ±1° FINISH		PRODUCT SPEC 108-2342	SIZE -	
MATERIAL -		APPLICATION SPEC 114-13225	CAGE CODE A200779	DRAWING NO C-2213613
		WEIGHT -	RESTRICTED TO -	
		CUSTOMER DRAWING	SCALE 4:1	SHEET 2 OF 2