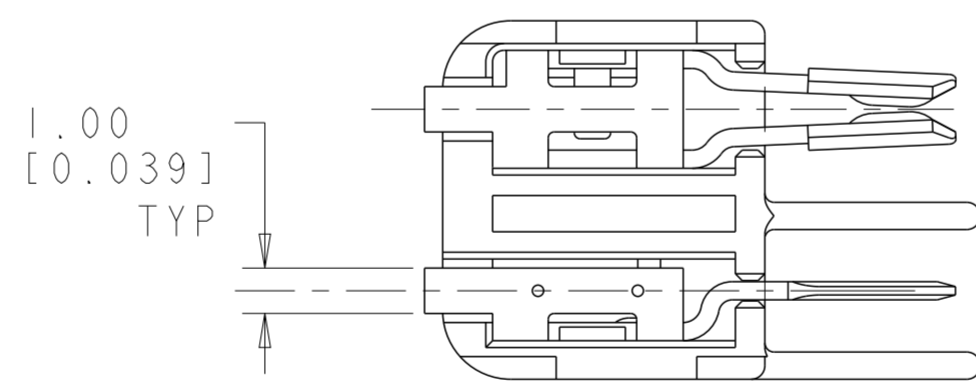
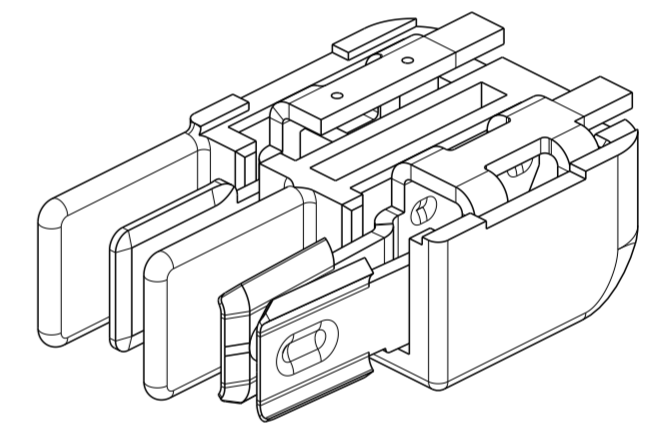
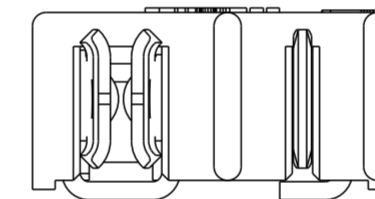
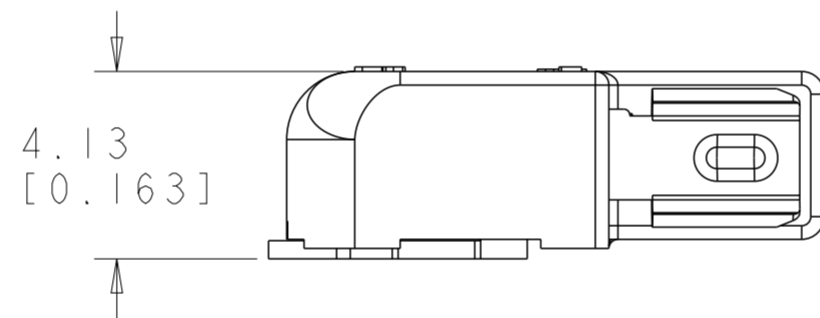
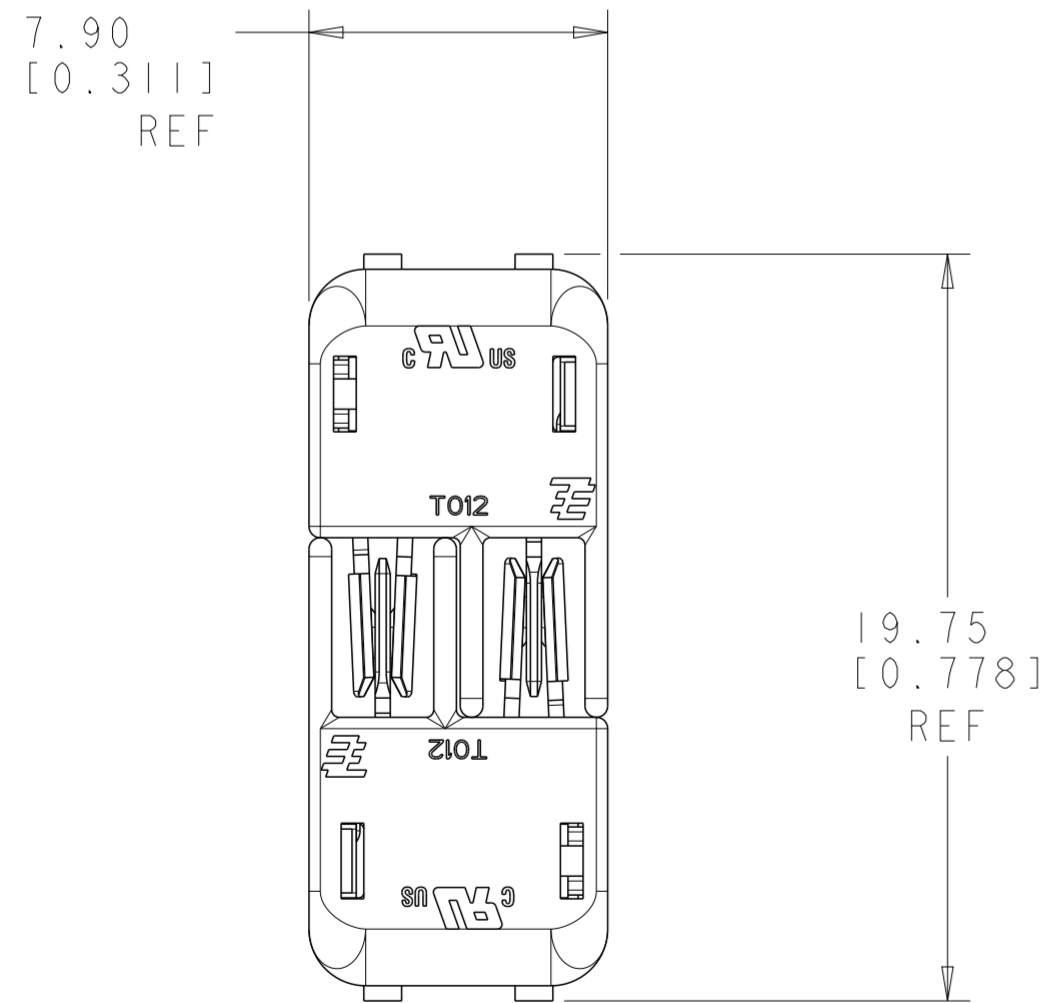
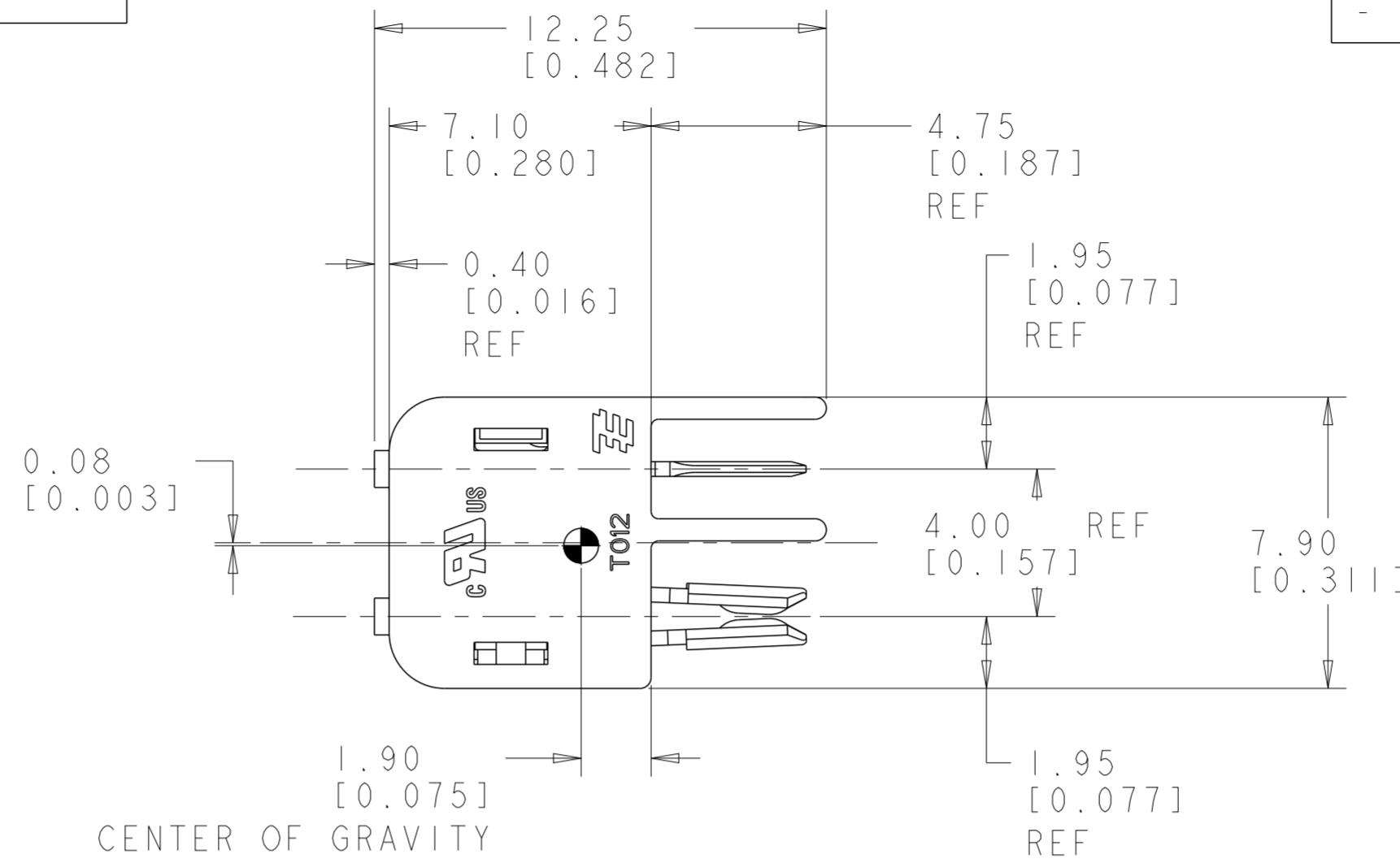


THIS DRAWING IS UNPUBLISHED. RELEASED FOR PUBLICATION 20
 © COPYRIGHT 20 BY - ALL RIGHTS RESERVED.

LOC		DIST		REVISIONS			
P	LTR	DESCRIPTION	DATE	DWN	APVD		
	A	REVISED PER ECR-16-005567	19APR2016	RS	DD		
	AI	REVISED PER ECR-16-010299	20JUL2016	RS	PO		

NOTES:

- 1 MATERIALS AND FINISH
 - HOUSING: LCP
 - CONTACTS: COPPER ALLOY, FINISH: TIN AND SELECT GOLD
- 2 PRODUCT TO COMPLY WITH DIRECTIVE 2002/95/EC (ROHS)
- 3 PACKAGED IN TAPE AND REEL



6	BLACK	1-2213613-3
4	BLACK	1-2213613-2
2	BLACK	1-2213613-1
6	NATURAL	2213613-3
4	NATURAL	2213613-2
2	NATURAL	2213613-1
POSITION		COLOR
		PART NO.

MATED PAIRS SHOWN FOR REFERENCE

THIS DRAWING IS A CONTROLLED DOCUMENT.

DWN	RAVLS	17JAN2015
CHK	D. DECKER	17JAN2015
APVD	D. DECKER	17JAN2015
PRODUCT SPEC		
108-2342		
APPLICATION SPEC		
114-13225		
WEIGHT		
-		
CUSTOMER DRAWING		

STE TE Connectivity

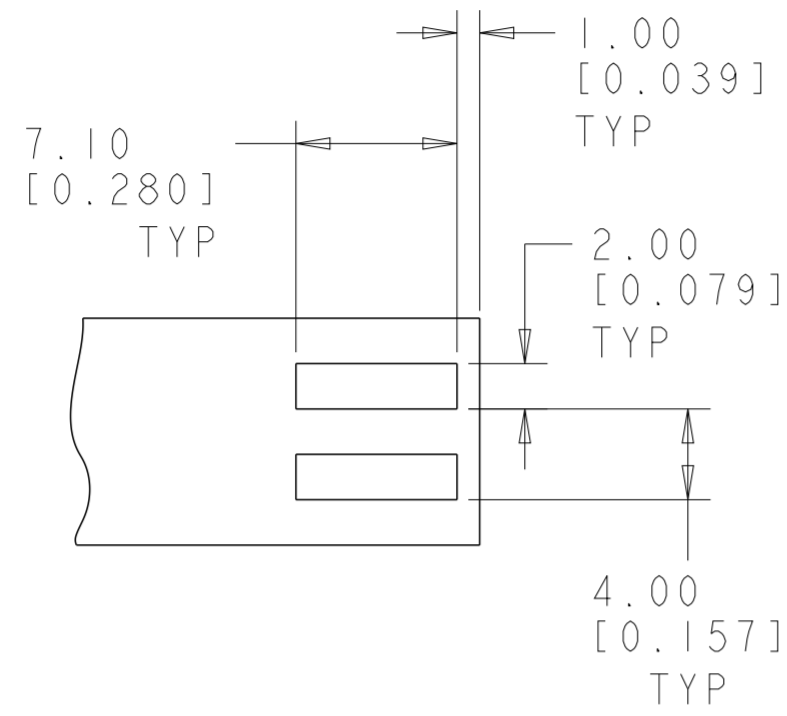
NAME: CONNECTOR ASSEMBLY, HERMAPHRODITIC BLADE AND RECEPTACLE

SIZE	CAGE CODE	DRAWING NO	RESTRICTED TO
A200779	C-2213613		-

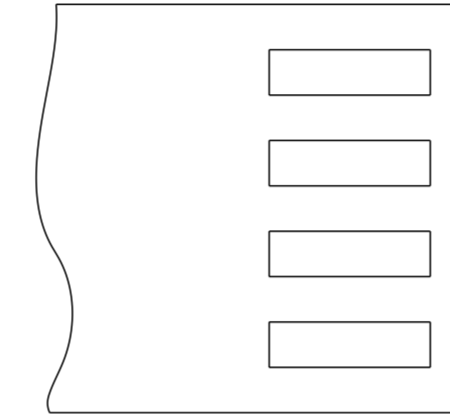
SCALE: 6:1 SHEET 1 OF 2 REV AI

THIS DRAWING IS UNPUBLISHED. RELEASED FOR PUBLICATION 20
 © COPYRIGHT 20 BY - ALL RIGHTS RESERVED.

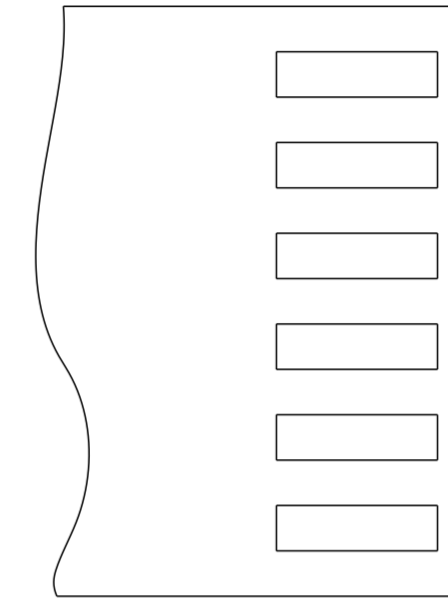
LOC		DIST		REVISIONS			
P	LTR	DESCRIPTION		DATE	DWN	APVD	
-	-	SEE SHEET 1		-	-	-	



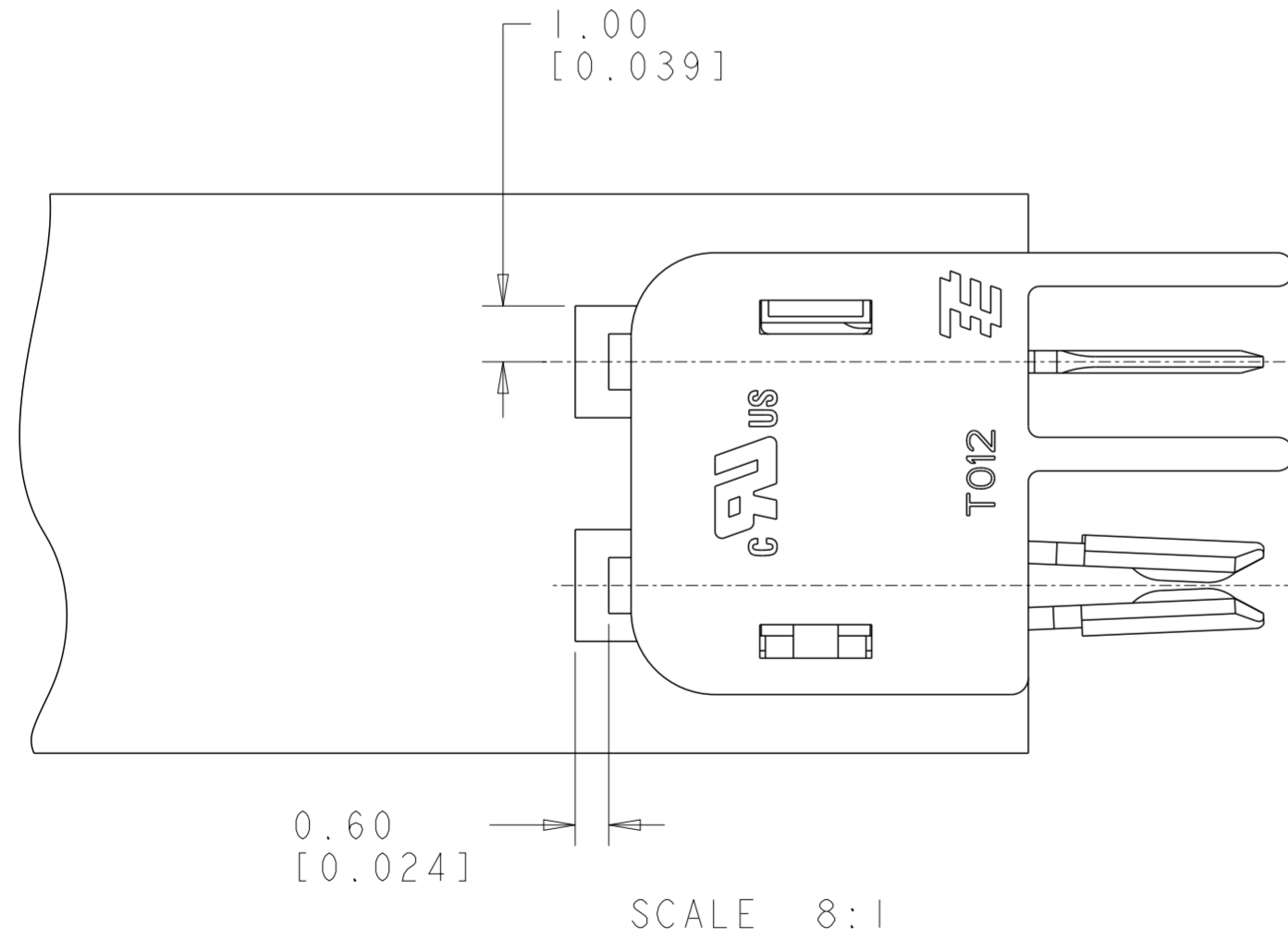
RECOMMENDED PCB LAYOUT FOR 2213613-1 & 1-2213613-1



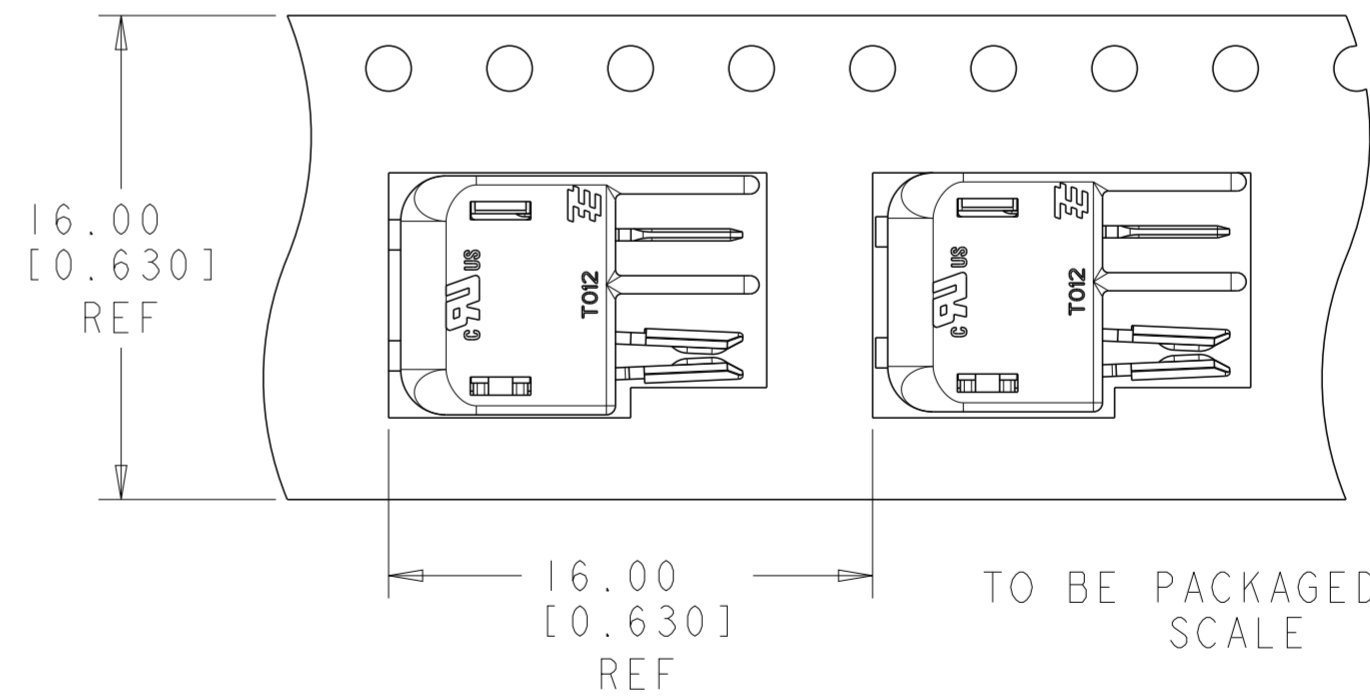
RECOMMENDED PCB LAYOUT FOR 2213613-2 & 1-2213613-2



RECOMMENDED PCB LAYOUT FOR 2213613-3 & 1-2213613-3



SCALE 8:1



TO BE PACKAGED AS SHOWN SCALE 4:1

THIS DRAWING IS A CONTROLLED DOCUMENT.		DWN RAVLS 17JAN2015	TE Connectivity	
DIMENSIONS: mm		CHK D. DECKER 17JAN2015		
TOLERANCES UNLESS OTHERWISE SPECIFIED:		APVD D. DECKER 17JAN2015	NAME CONNECTOR ASSEMBLY, HERMAPHRODITIC BLADE AND RECEPTACLE	
0 PLC ±	1 PLC ±	PRODUCT SPEC 108-2342	SIZE A200779	CAGE CODE C-2213613
2 PLC ±0.13	3 PLC ±0.013	APPLICATION SPEC 114-13225	DRAWING NO	RESTRICTED TO
4 PLC ±	ANGLES ±1°	WEIGHT	SCALE 4:1	SHEET 2 OF 2
MATERIAL	FINISH	CUSTOMER DRAWING	REV A1	