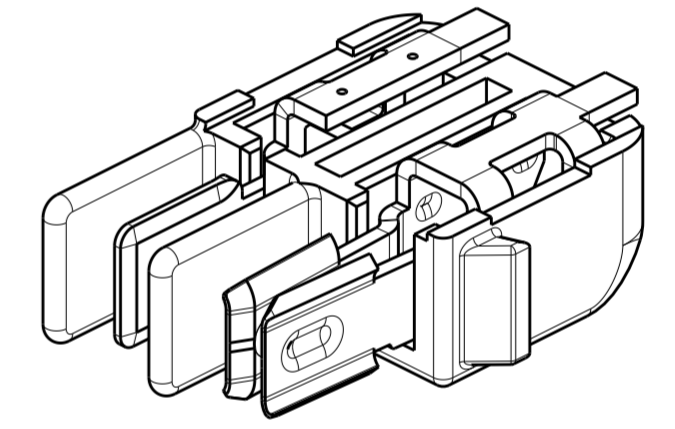
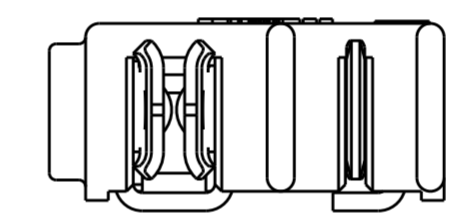
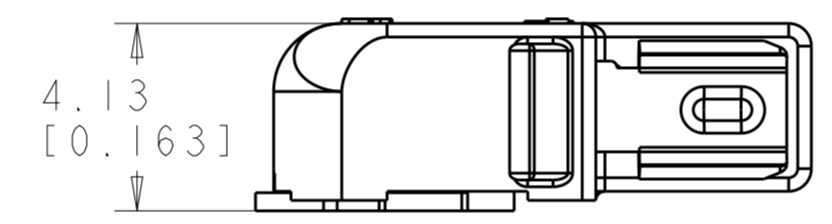
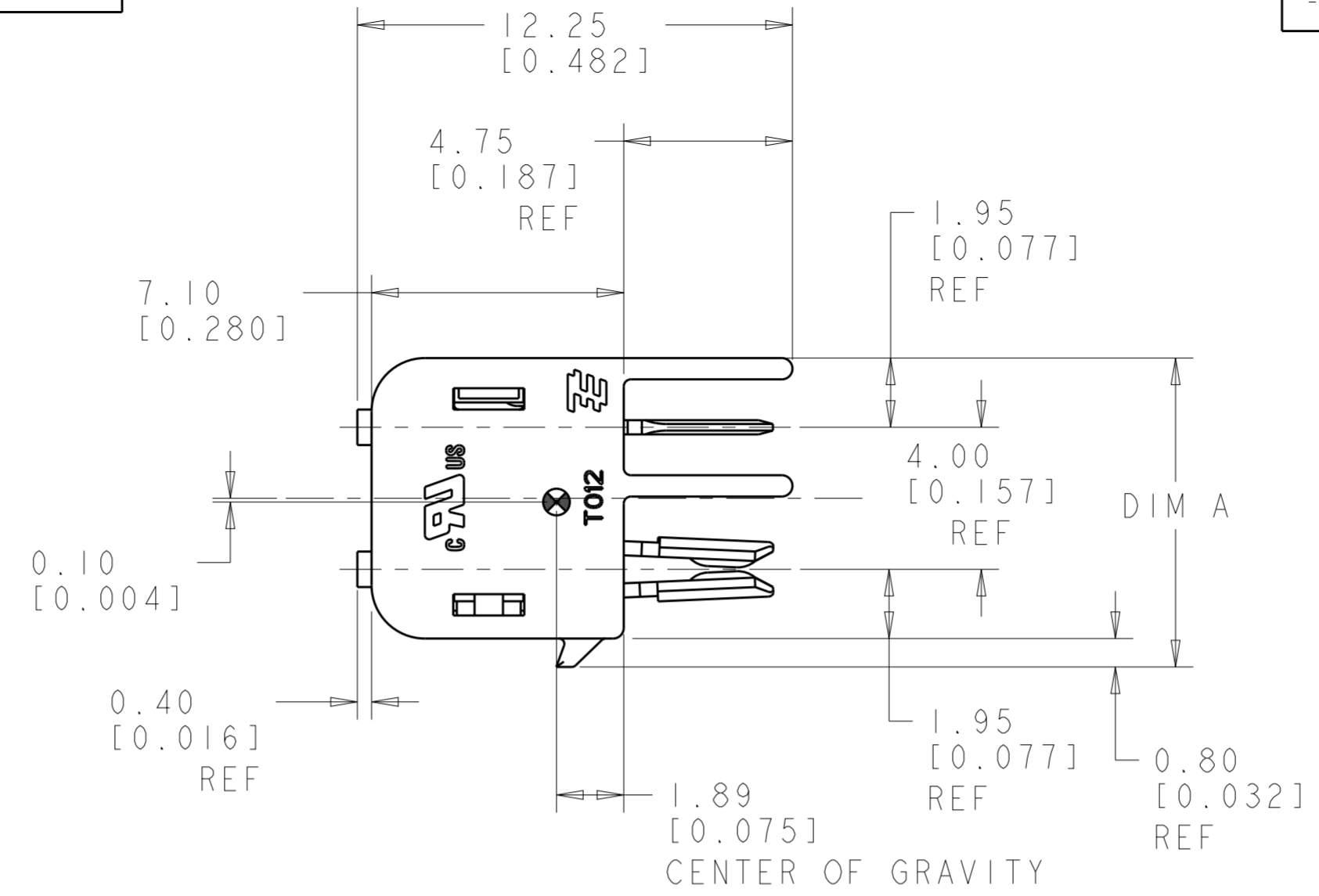


THIS DRAWING IS UNPUBLISHED. RELEASED FOR PUBLICATION 20  
 © COPYRIGHT 20 BY - ALL RIGHTS RESERVED.

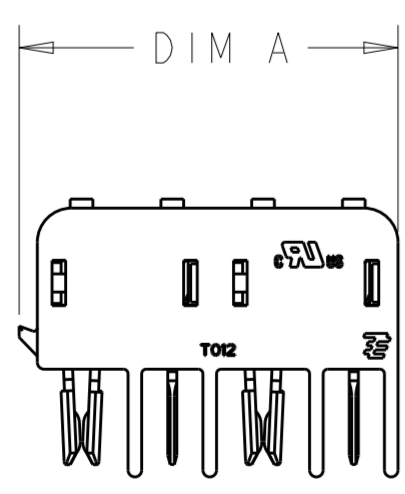
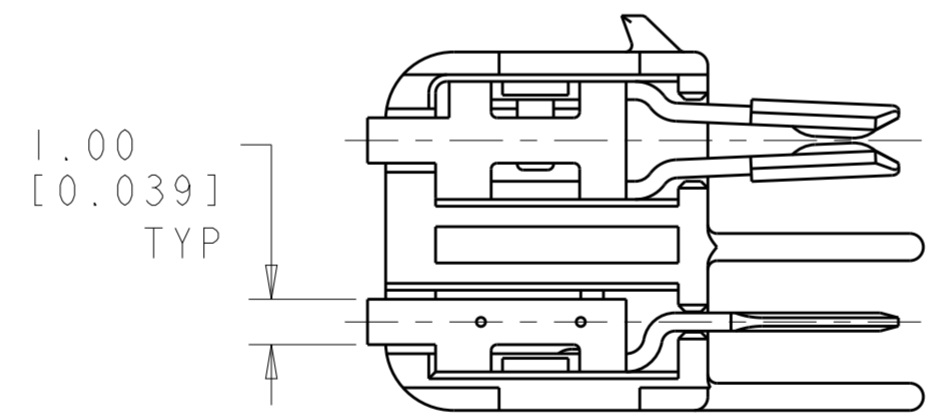
LOC		DIST		REVISIONS			
P	LTR	DESCRIPTION	DATE	DWN	APVD		
	A	REVISED PER ECR-16-005567	19APR2016	RS	DD		
	AI	REVISED PER ECR-16-010299	20JUL2016	RS	PO		

NOTES:

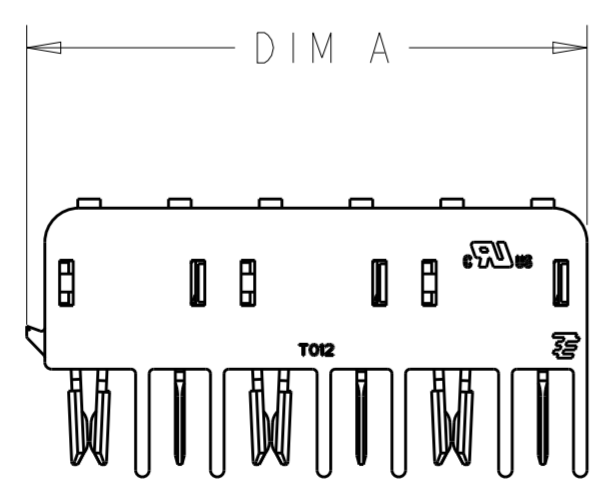
- 1. MATERIALS AND FINISH
  - HOUSING: LCP
  - CONTACTS: COPPER ALLOY, FINISH: TIN AND SELECT GOLD
- 2. PRODUCT TO COMPLY WITH DIRECTIVE 2002/95/EC (ROHS)
- 3. PACKAGED IN TAPE AND REEL



2213614-1/  
1-2213614-1  
SHOWN



2213614-2/  
1-2213614-2  
SCALE 3:1



2213614-3/  
1-2213614-3  
SCALE 3:1

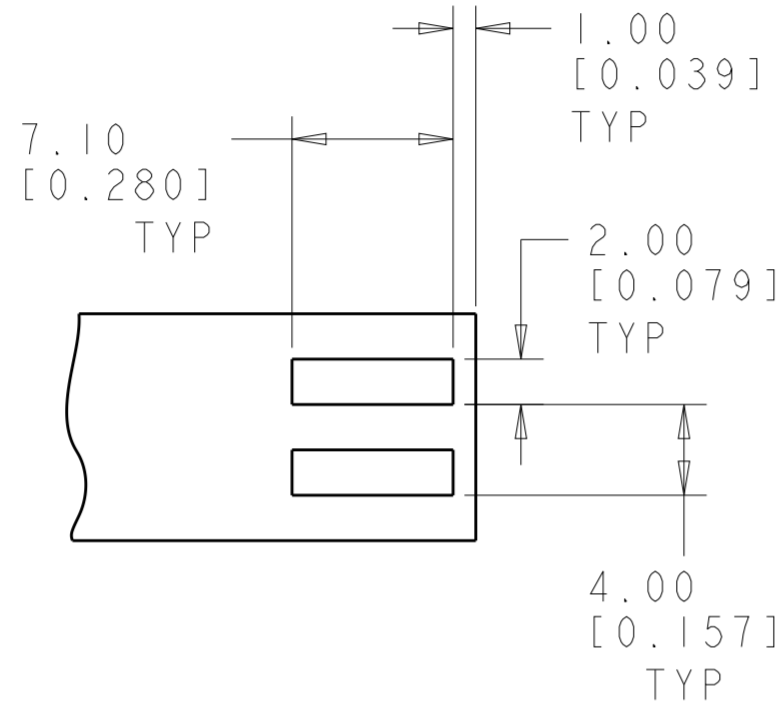
6	BLACK	24.70	1-2213614-3
4	BLACK	16.70	1-2213614-2
2	BLACK	8.70	1-2213614-1
6	NATURAL	24.70	2213614-3
4	NATURAL	16.70	2213614-2
2	NATURAL	8.70	2213614-1
POSITION	COLOR	DIM A	PART NO.

THIS DRAWING IS A CONTROLLED DOCUMENT.

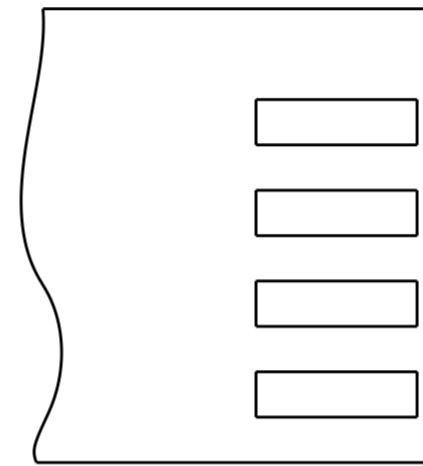
DIMENSIONS:	TOLERANCES UNLESS OTHERWISE SPECIFIED:	DWN RAVLS 17JAN2015	TE Connectivity
mm	0 PLC ±	CHK D. DECKER 17JAN2015	
	1 PLC ±	APVD D. DECKER 17JAN2015	
	2 PLC ±0.13	PRODUCT SPEC 108-2342	
	3 PLC ±0.013	APPLICATION SPEC 114-13225	NAME CONNECTOR ASSEMBLY, HERMAPHRODITIC BLADE AND RECEPTACLE, WITH LATCH
	4 PLC ±	WEIGHT -	SIZE A200779
MATERIAL	FINISH	CUSTOMER DRAWING	DRAWING NO. C-2213614
		SCALE 6:1	RESTRICTED TO -
		SHEET 1 OF 2	REV AI

THIS DRAWING IS UNPUBLISHED. RELEASED FOR PUBLICATION 20  
 © COPYRIGHT 20 BY - ALL RIGHTS RESERVED.

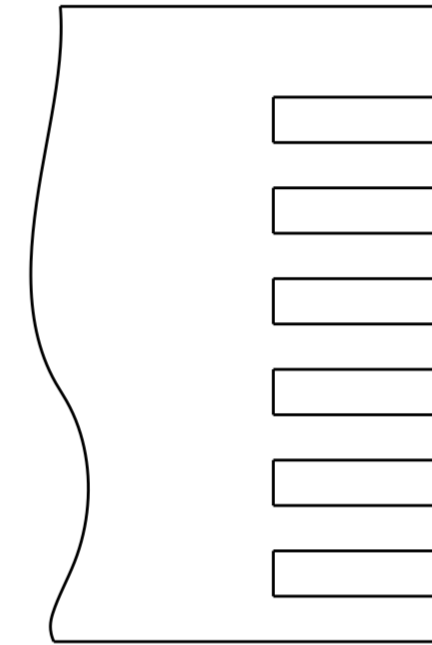
LOC		DIST		REVISIONS			
P	LTR	DESCRIPTION	DATE	DWN	APVD		
-	-	SEE SHEET 1	-	-	-		



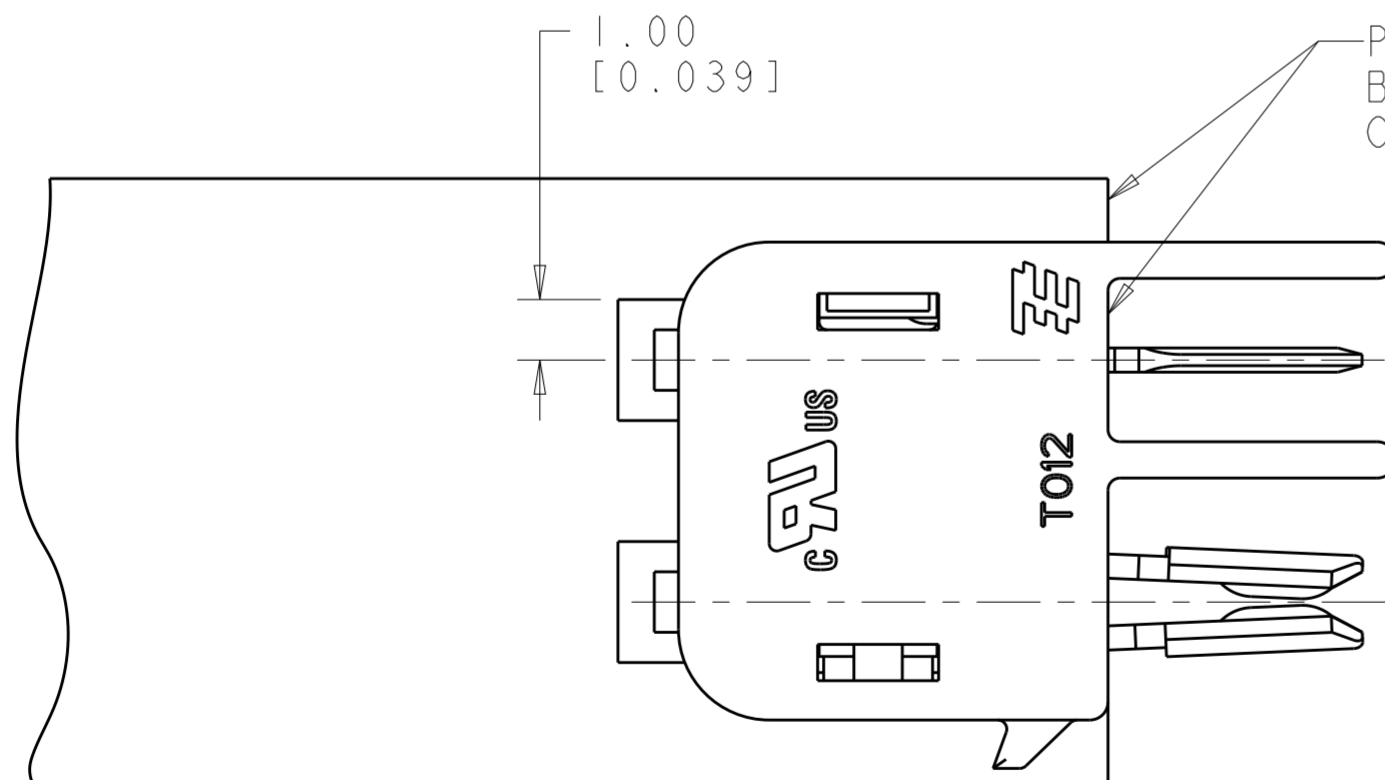
RECOMMENDED PCB LAYOUT FOR 2213614-1 & 1-2213614-1



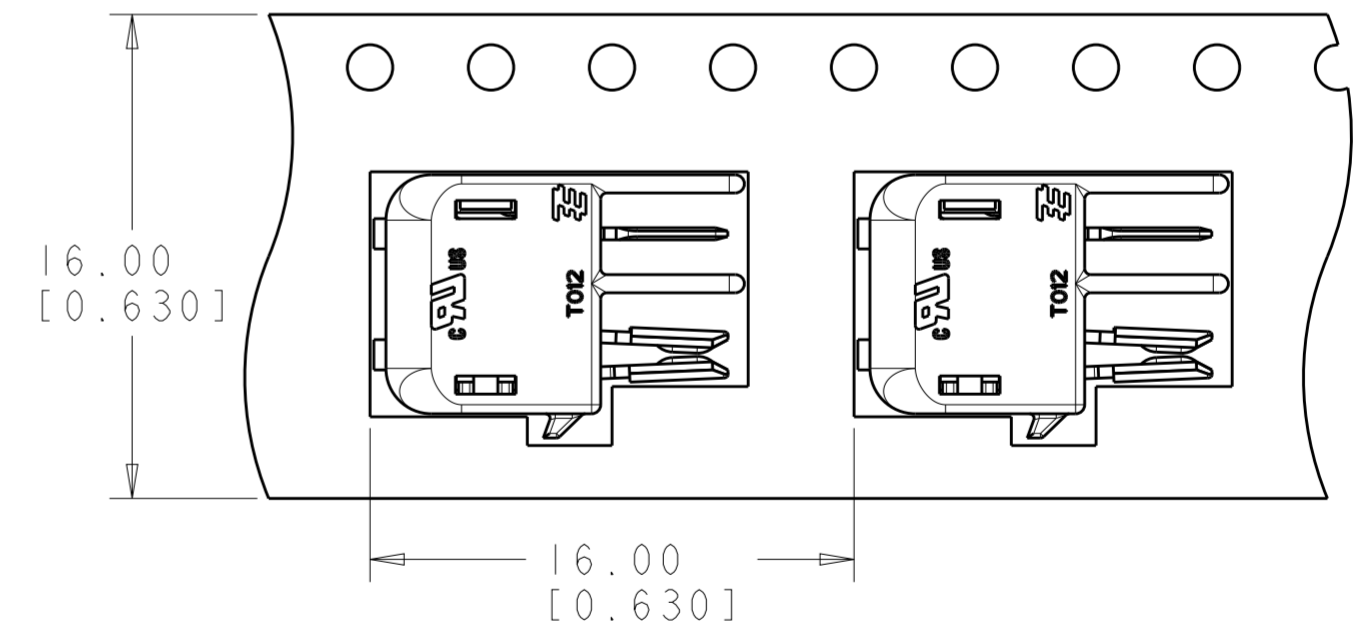
RECOMMENDED PCB LAYOUT FOR 2213614-2 & 1-2213614-2



RECOMMENDED PCB LAYOUT FOR 2213614-3 & 1-2213614-3



SCALE 8:1



TO BE PACKAGED AS SHOWN SCALE 4:1

THIS DRAWING IS A CONTROLLED DOCUMENT.		DWN RAVLS 17JAN2015	TE Connectivity	
		CHK D. DECKER 17JAN2015		
		APVD D. DECKER 17JAN2015	NAME CONNECTOR ASSEMBLY, HERMAPHRODITIC BLADE AND RECEPTACLE, WITH LATCH	
DIMENSIONS:		PRODUCT SPEC	SIZE	
mm		108-2342	CAGE CODE	
TOLERANCES UNLESS OTHERWISE SPECIFIED:		APPLICATION SPEC	DRAWING NO	
0 PLC ±		114-13225	A200779C-2213614	
1 PLC ±		WEIGHT	RESTRICTED TO	
2 PLC ±0.13			-	
3 PLC ±0.013		CUSTOMER DRAWING	SCALE 3:1	SHEET 2 OF 2
4 PLC ±				REV A1
ANGLES ±1°				
FINISH				