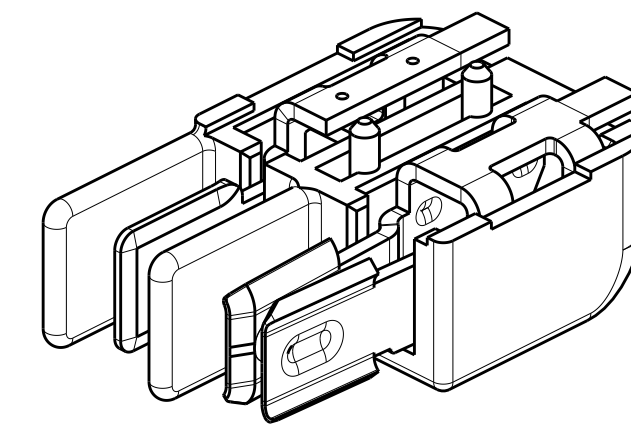
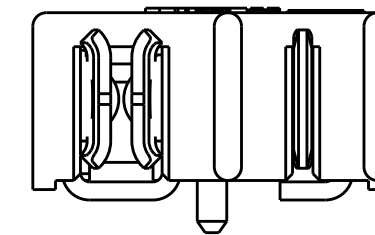
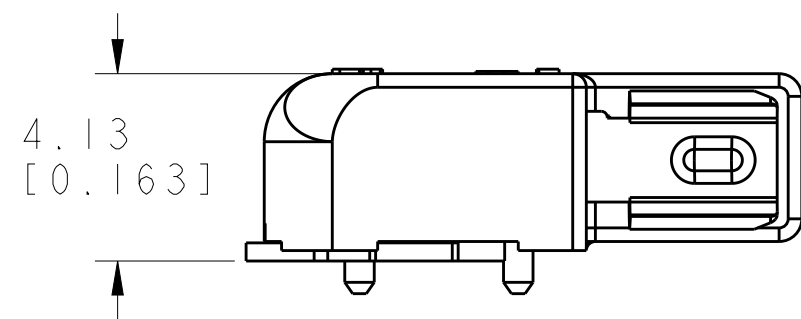
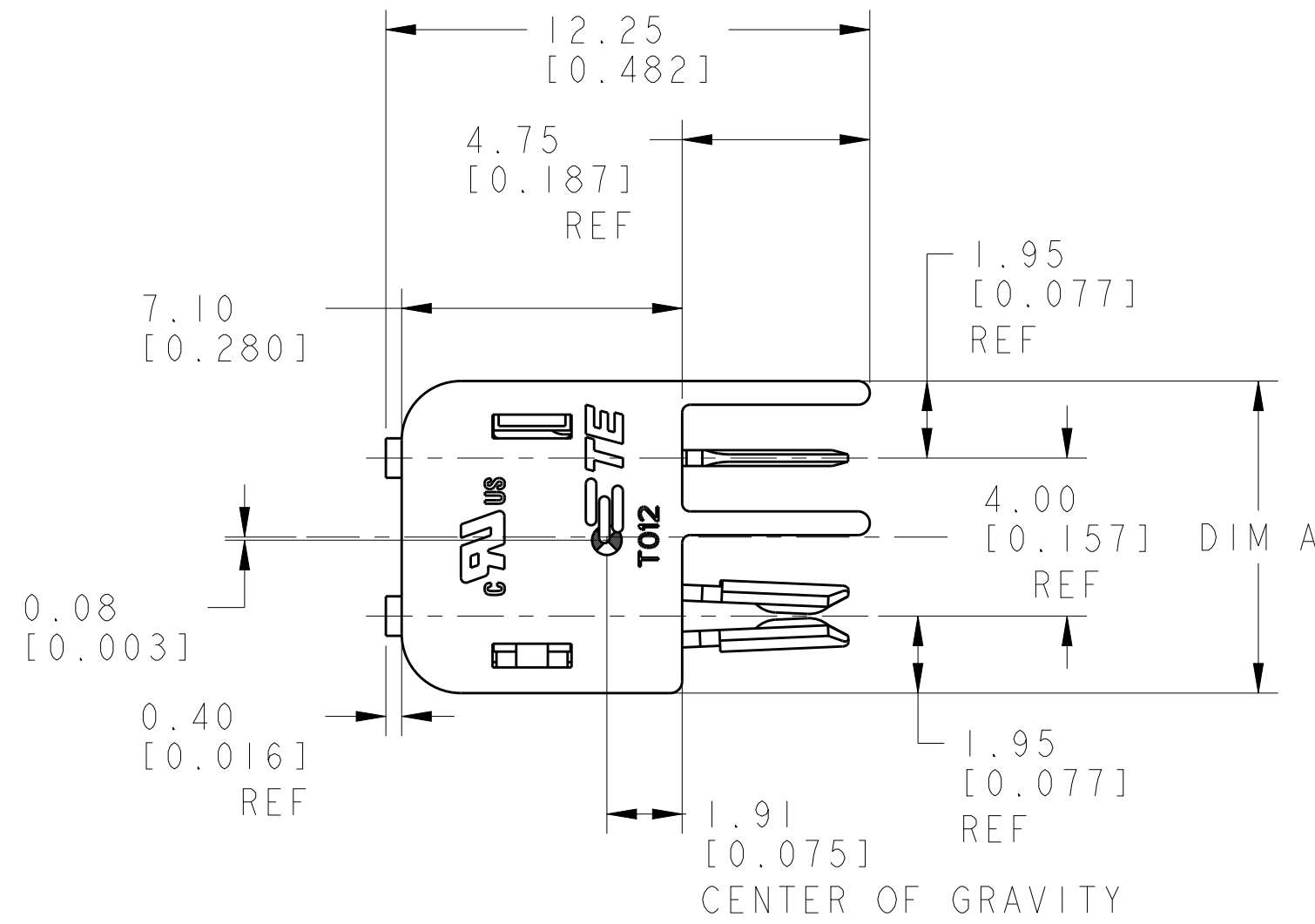


THIS DRAWING IS UNPUBLISHED. RELEASED FOR PUBLICATION 20
 © COPYRIGHT 20 BY - ALL RIGHTS RESERVED.

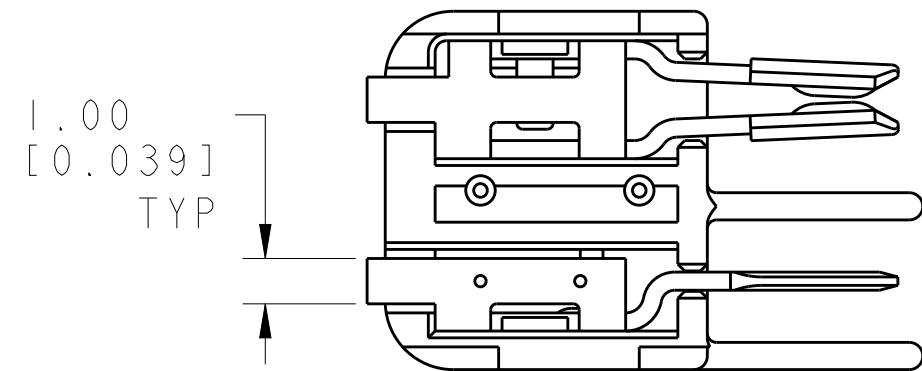
LOC		DIST		REVISIONS			
P	LTR	DESCRIPTION	DATE	DWN	APVD		
	A	REVISED PER ECR-16-005567	19APR2016	RS	DD		
	AI	REVISED PER ECR-16-010299	20JUL2016	RS	PO		

NOTES:

- 1. MATERIALS AND FINISH
 - HOUSING: LCP
 - CONTACTS: COPPER ALLOY, FINISH: TIN AND SELECT GOLD
- 2. PRODUCT TO COMPLY WITH DIRECTIVE 2002/95/EC (ROHS)
- 3. PACKAGED IN TAPE AND REEL



2213616-1 SHOWN

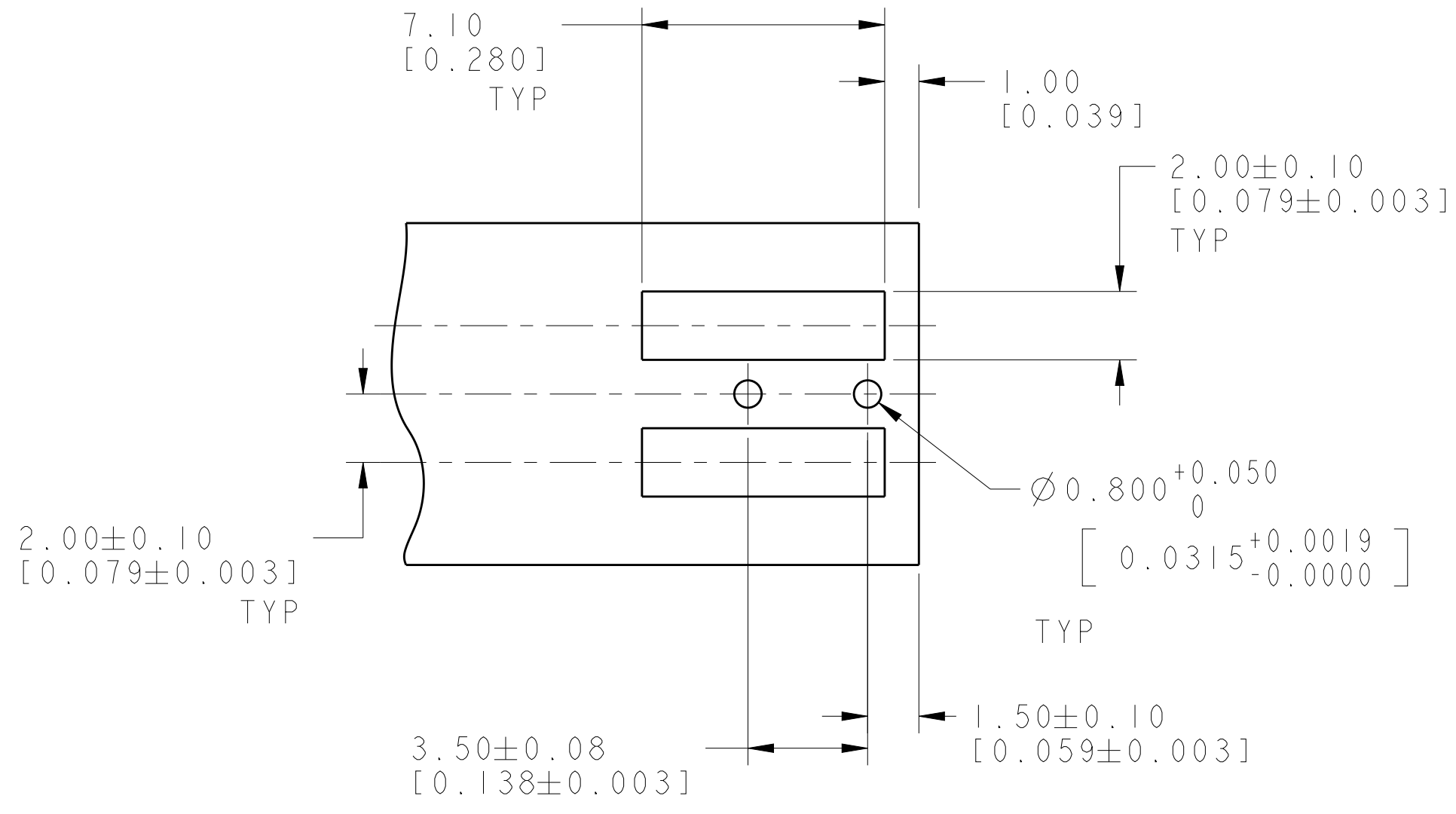


6	BLACK	23.90	1-2213616-3
4	BLACK	15.90	1-2213616-2
2	BLACK	7.90	1-2213616-1
6	NATURAL	23.90	2213616-3
4	NATURAL	15.90	2213616-2
2	NATURAL	7.90	2213616-1
POSITION	COLOR	DIM A	PART NO.

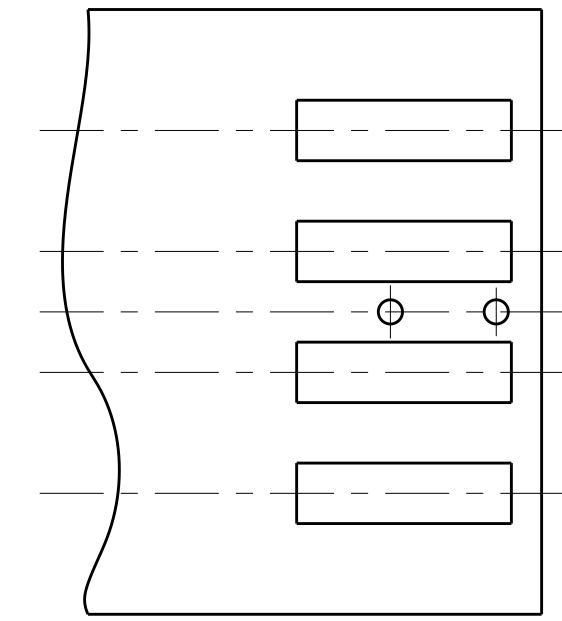
THIS DRAWING IS A CONTROLLED DOCUMENT.		DWN RAVLS 22 JAN 2015	TE Connectivity	
		CHK D. DECKER 22 JAN 2015		
		APVD D. DECKER 22 JAN 2015	NAME CONNECTOR ASSEMBLY, HERMAPHRODITIC BLADE AND RECEPTACLE, WITH BOSS	
DIMENSIONS: mm		PRODUCT SPEC 108-2342	SIZE A200779	
TOLERANCES UNLESS OTHERWISE SPECIFIED: 0 PLC ± 1 PLC ± 2 PLC ±0.13 3 PLC ±0.013 4 PLC ± ANGLES ±1° FINISH		APPLICATION SPEC 114-13225	DRAWING NO C-2213616	
MATERIAL		WEIGHT -	RESTRICTED TO -	
CUSTOMER DRAWING		SCALE 6:1		SHEET 1 OF 2

THIS DRAWING IS UNPUBLISHED. RELEASED FOR PUBLICATION 20
 © COPYRIGHT 20 BY - ALL RIGHTS RESERVED.

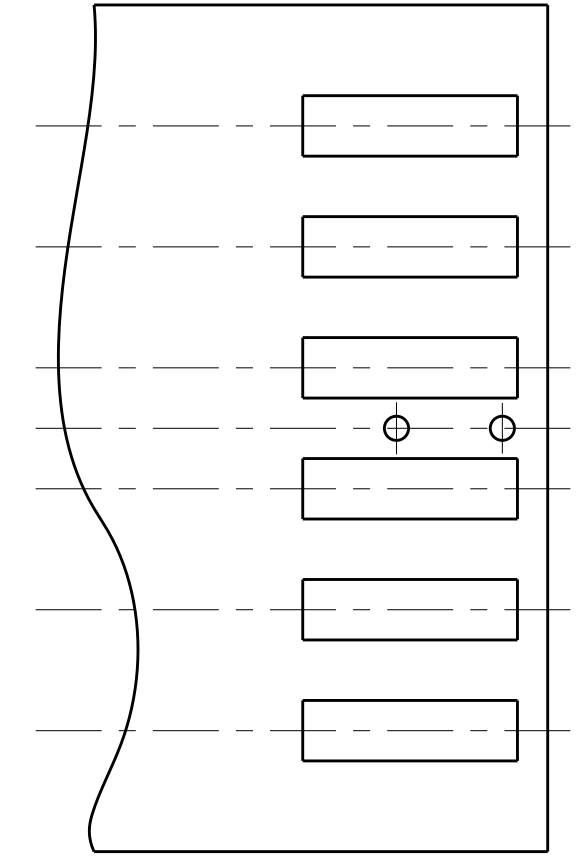
LOC		DIST		REVISIONS			
P	LTR	DESCRIPTION	DATE	DWN	APVD		
-	-	SEE SHEET 1	-	-	-		



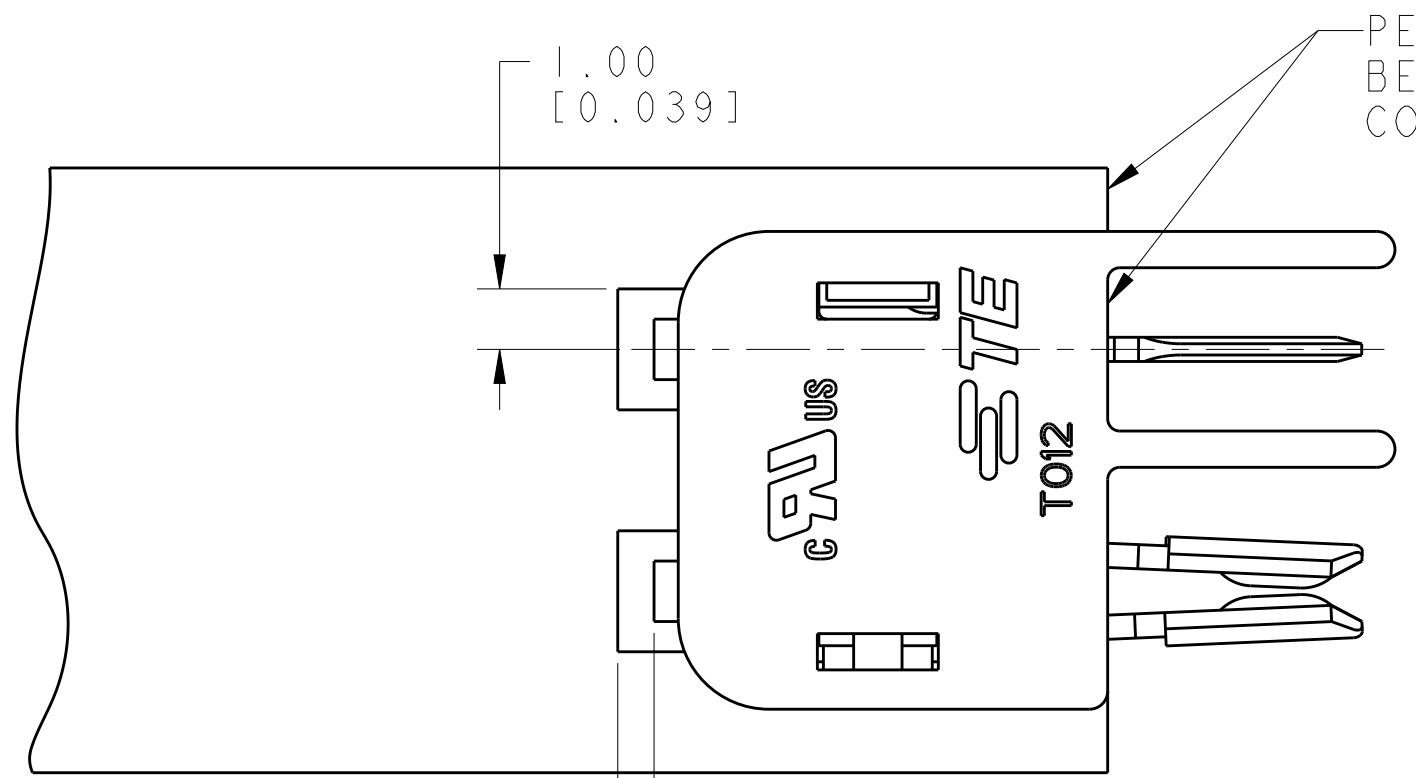
RECOMMENDED PCB LAYOUT FOR 2213616-1 & 1-2213616-1



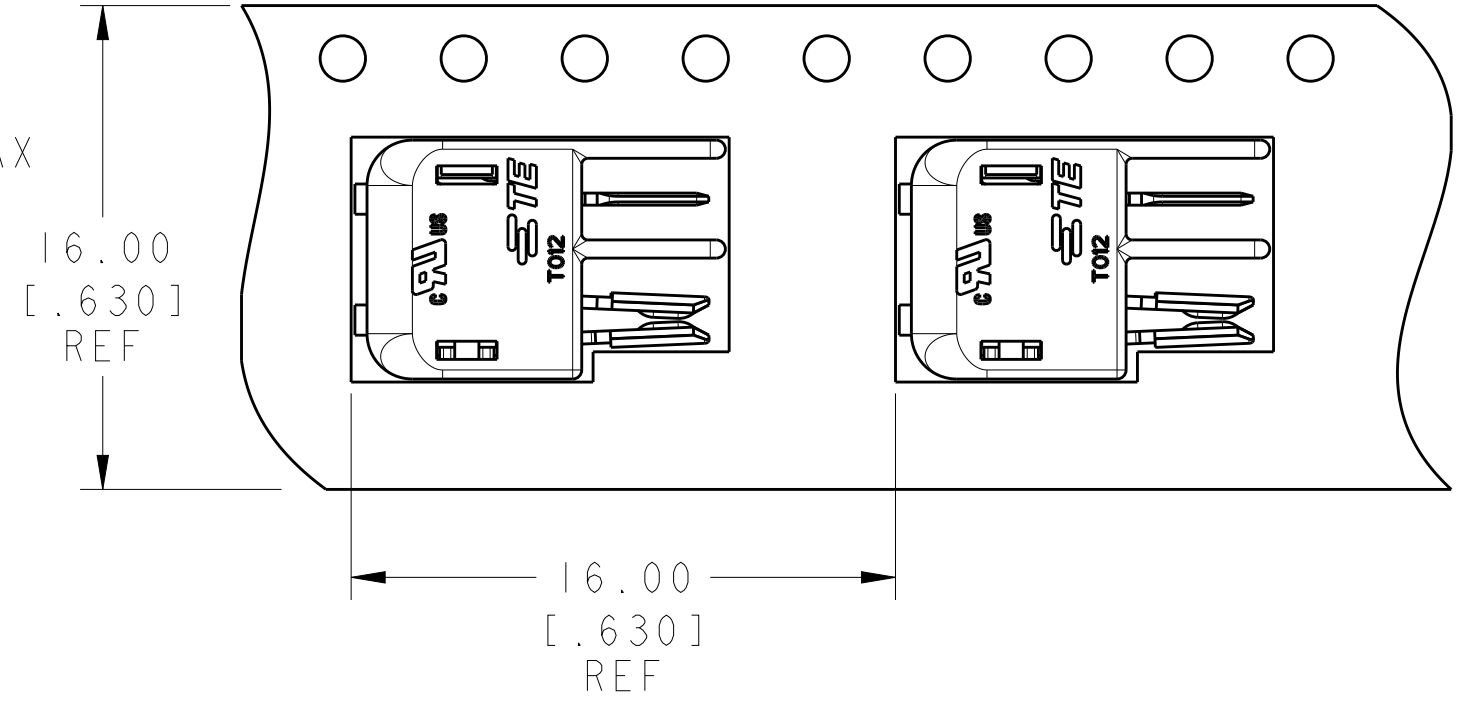
RECOMMENDED PCB LAYOUT FOR 2213616-2 & 1-2213616-2



RECOMMENDED PCB LAYOUT FOR 2213616-3 & 1-2213616-3



SCALE 8:1



TO BE PACKAGED AS SHOWN

THIS DRAWING IS A CONTROLLED DOCUMENT.		DWN RAVLS 22 JAN 2015	TE Connectivity	
		CHK D. DECKER 22 JAN 2015		
		APVD D. DECKER 22 JAN 2015	NAME CONNECTOR ASSEMBLY, HERMAPHRODITIC BLADE AND RECEPTACLE, WITH BOSS	
DIMENSIONS: mm		PRODUCT SPEC 108-2342		SIZE A200779
TOLERANCES UNLESS OTHERWISE SPECIFIED:		APPLICATION SPEC 114-13225		CAGE CODE C-2213616
MATERIAL		WEIGHT		RESTRICTED TO
0 PLC ± 1 PLC ± 2 PLC ±0.13 3 PLC ±0.013 4 PLC ± ANGLES ±1° FINISH		CUSTOMER DRAWING		SCALE 6:1 SHEET 2 OF 2 REV A1