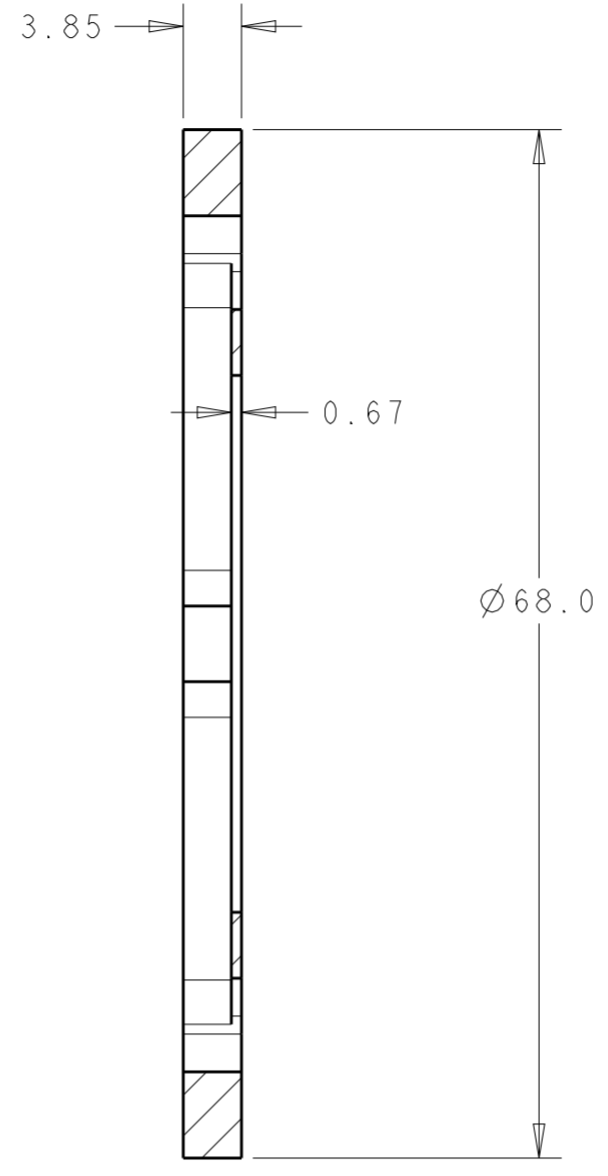
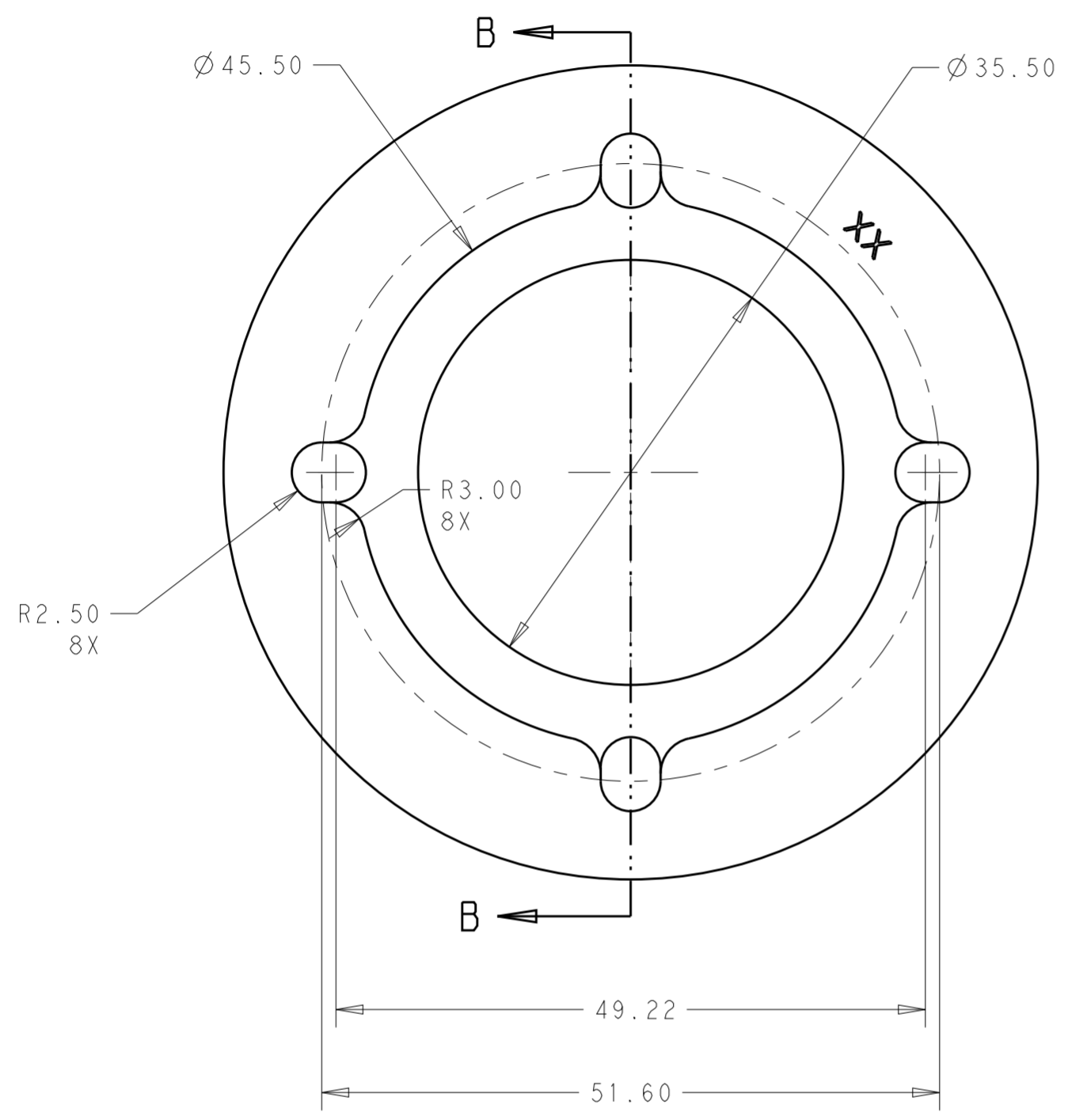
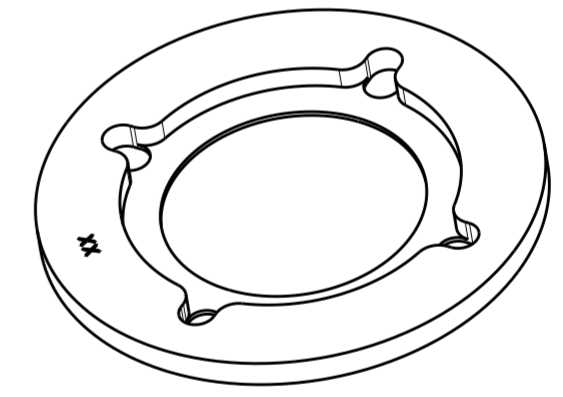


THIS DRAWING IS UNPUBLISHED. RELEASED FOR PUBLICATION 20
 © COPYRIGHT 20 BY - ALL RIGHTS RESERVED.

REVISIONS				
P	LTR	DESCRIPTION	DATE	APVD
	A	REVISED PER ECR-16-008711	26JUN2016	RS DD



SECTION B-B



NOTES:

1 MATERIAL: LIQUID SILICONE RUBBER,
 DUROMETER 40 SHORE A
 COLOR: BLACK

2. TOLERANCES PER RMA-A1-F2

2213626-1
 PART NO.

THIS DRAWING IS A CONTROLLED DOCUMENT.		DWN RAVI.S 29 JUN 2015	TE Connectivity	
DIMENSIONS:		CHK C.GINGRICH 29 JUN 2015		
mm	TOLERANCES UNLESS OTHERWISE SPECIFIED:	APVD C.GINGRICH 29 JUN 2015	NAME GASKET, SEALING, ROTATING DIMMING RECEPTACLE	
0 PLC ±	1 PLC ±	PRODUCT SPEC	-	
2 PLC ±	3 PLC ±	APPLICATION SPEC	-	
4 PLC ±	ANGLES ±	114-32148	SIZE	A2
MATERIAL	FINISH	WEIGHT	CAGE CODE	-
-	-	CUSTOMER DRAWING	DRAWING NO	C-2213626
SCALE 1:1			SHEET 1 OF 1	REV A