

THIS DRAWING IS UNPUBLISHED. RELEASED FOR PUBLICATION 20  
 © COPYRIGHT 20 BY - ALL RIGHTS RESERVED.

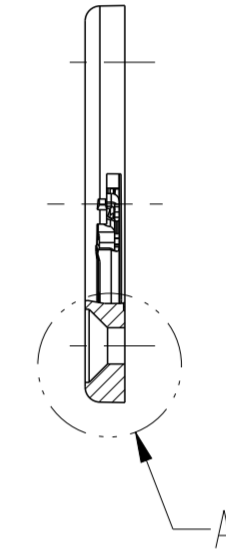
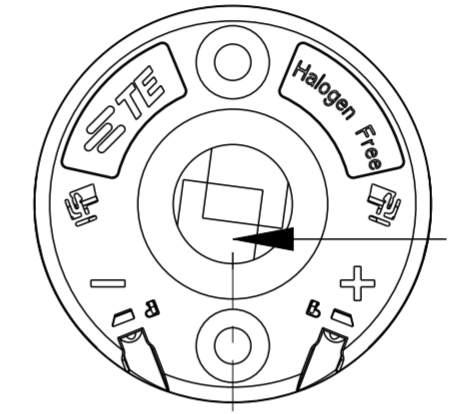
REVISIONS				
P	LTR	DESCRIPTION	DATE	APVD
C		ECR-19-004750	13APR2019	SR JL
C1		ECR-19-013004	23AUG2019	SR JL
C2		ECR-19-014098	12SEP2019	SR JL
C3		ECR-20-000836	23JAN2020	SB JL

NOTES:

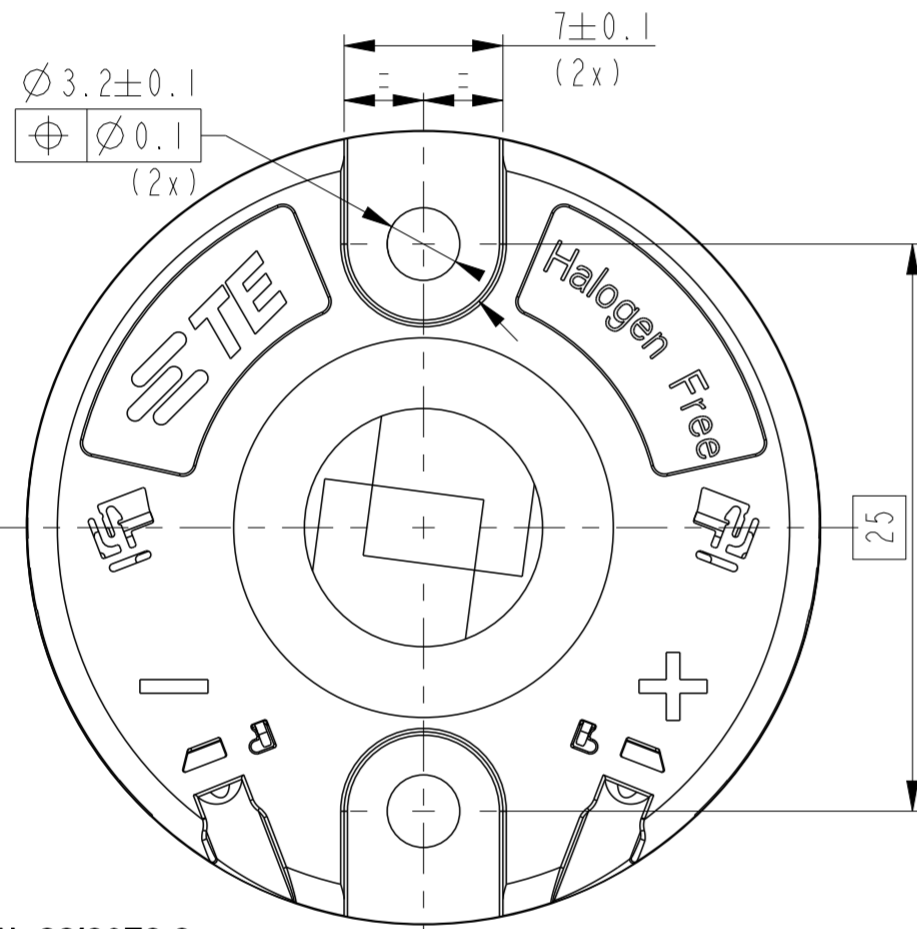
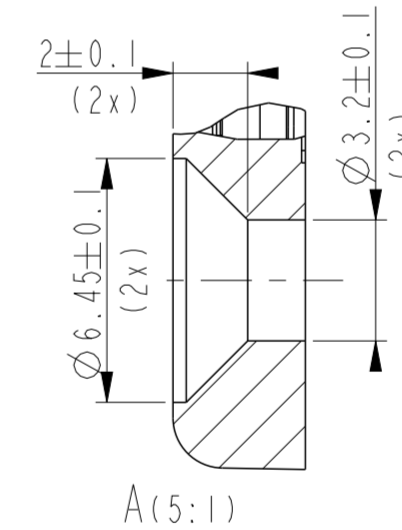
- MATERIALS:
  - HOLDER: PBT, COLOR: NATURAL,
  - CONTACTS: COPPER ALLOY, Ni/Au PLATING.
- FOR SOLID, FUSED AND STRANDED WIRE TYPES AWG 18 AND 20 ACC. UL 1007.
- WIRE STRIP LENGTH: 11-12 mm
- MAX. WIRE INSULATION OUTER DIAM.:  $\varnothing 2.3\text{mm}$ .
- RECOMMENDED SCREW TORQUE: 0.4 - 0.6 Nm.
- SCREWS TO BE USED:
  - PAN HEAD M3, #4-40 AND COUNTERSUNK M3 (2x), SEE TABLE SHEET 2.
- FOR LED THICKNESS RANGE 0.9-1.0 NOM.
- LED MATING ON 2 CORNERS WITH ADHESIVE TAPE.

- ⚠ SPECIAL PACKAGING IN 20 PIECES TRAY AND BAGGED IN GROUPS OF 100 PIECES.
10. FOR COB-TO-HOLDER CROSS REFERENCE, REFER TO APPLICATION SPECIFICATION 114-32208.

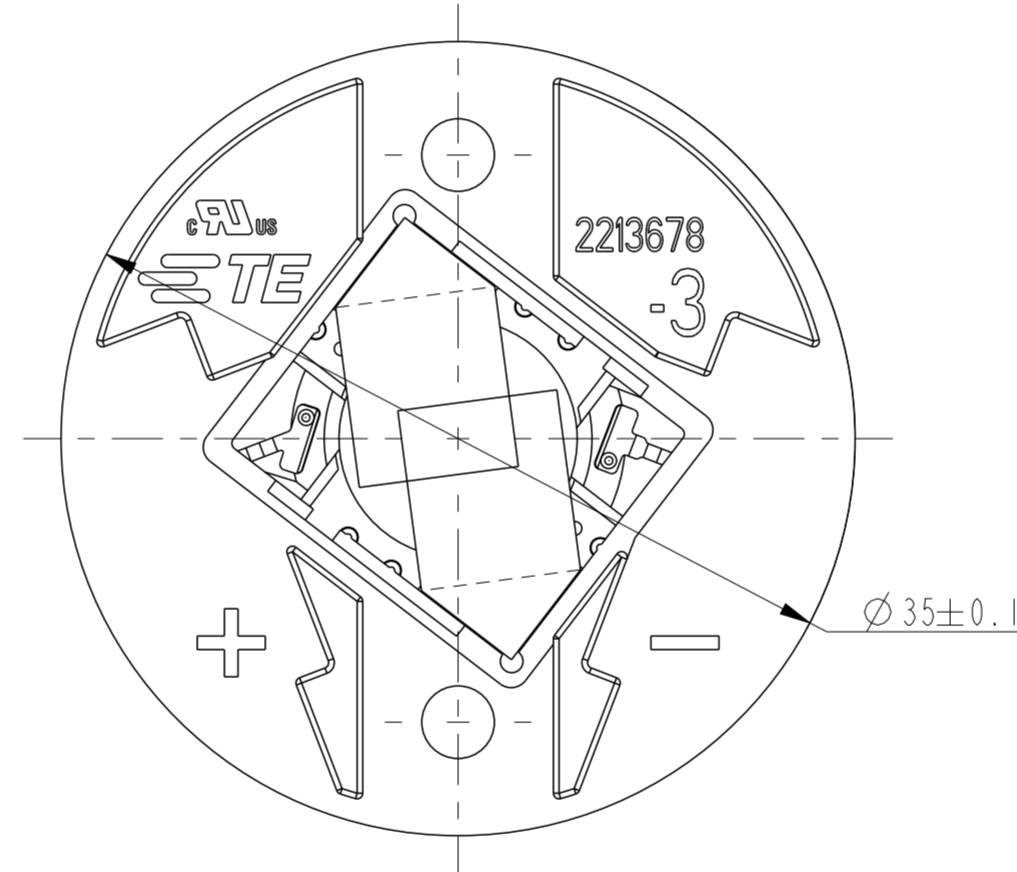
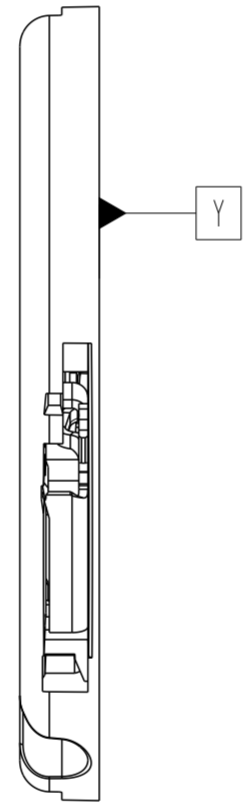
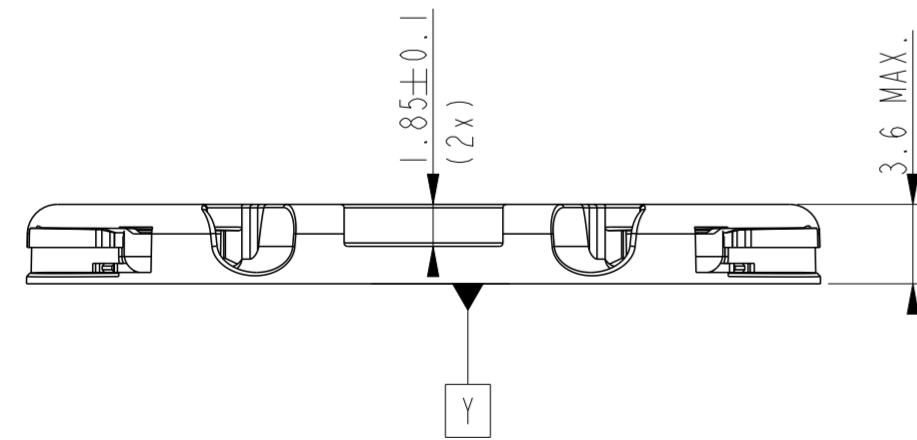
P/N 2213678-4 AS SHOWN



SECTION X-X



P/N 2213678-3 AS SHOWN



THIS DRAWING IS A CONTROLLED DOCUMENT.		DWN P. POORTER 22MAY2015	TE Connectivity	
DIMENSIONS: mm		CHK O. LEIJNSE 22MAY2015		
TOLERANCES UNLESS OTHERWISE SPECIFIED:		APVD O. LEIJNSE 22MAY2015	NAME MINI COB HOLDER PLATFORM	
0 PLC ±0.2 1 PLC ±0.2 2 PLC ±0.1 3 PLC ±0.1 4 PLC ±0.1 ANGLES ±5 FINISH		PRODUCT SPEC 108-133062	RESTRICTED TO	
MATERIAL		APPLICATION SPEC 114-133062	SIZE A2	CAGE CODE 00779
		WEIGHT	DRAWING NO C-2213678	
		CUSTOMER DRAWING	SCALE 1:1	SHEET 1 OF 3
			REV C3	

THIS DRAWING IS UNPUBLISHED. RELEASED FOR PUBLICATION 20  
 © COPYRIGHT 20 BY - ALL RIGHTS RESERVED.

REVISIONS				
P	LTR	DESCRIPTION	DATE	APVD
-	-	SEE SHEET 1	-	-

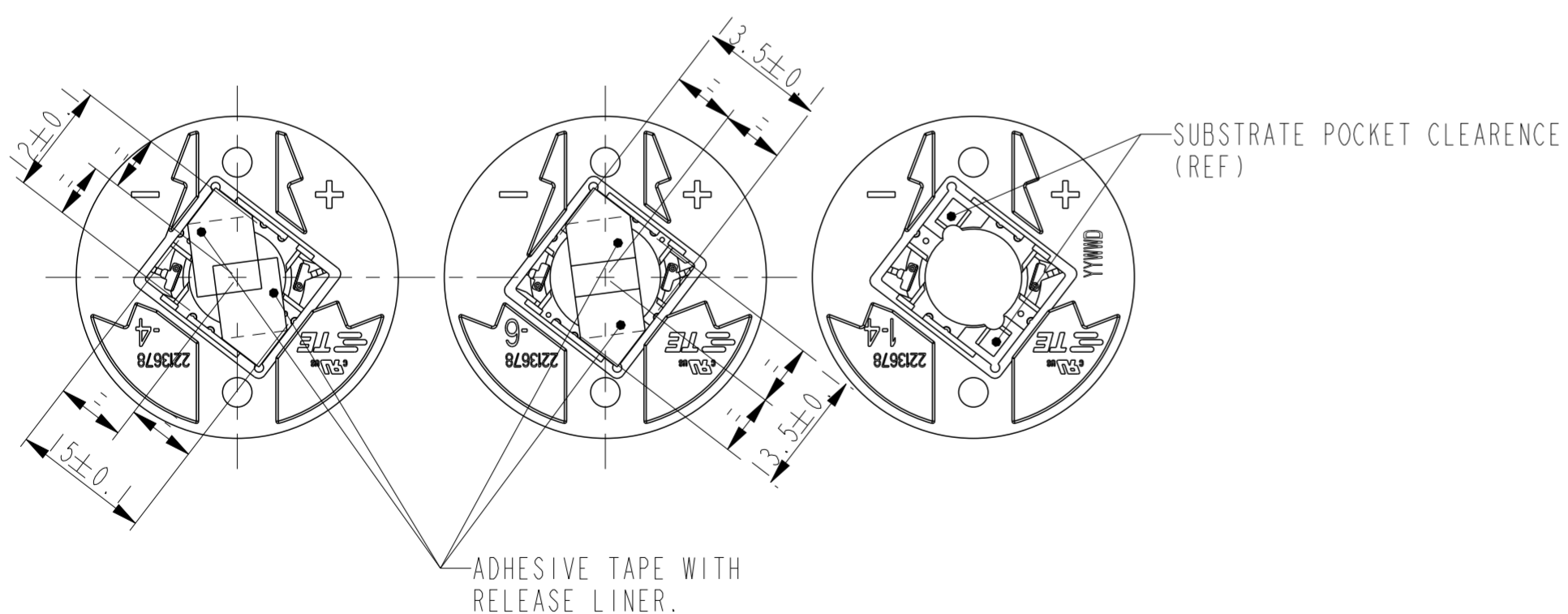
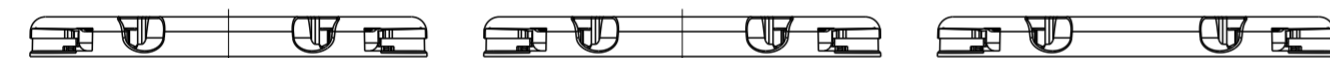
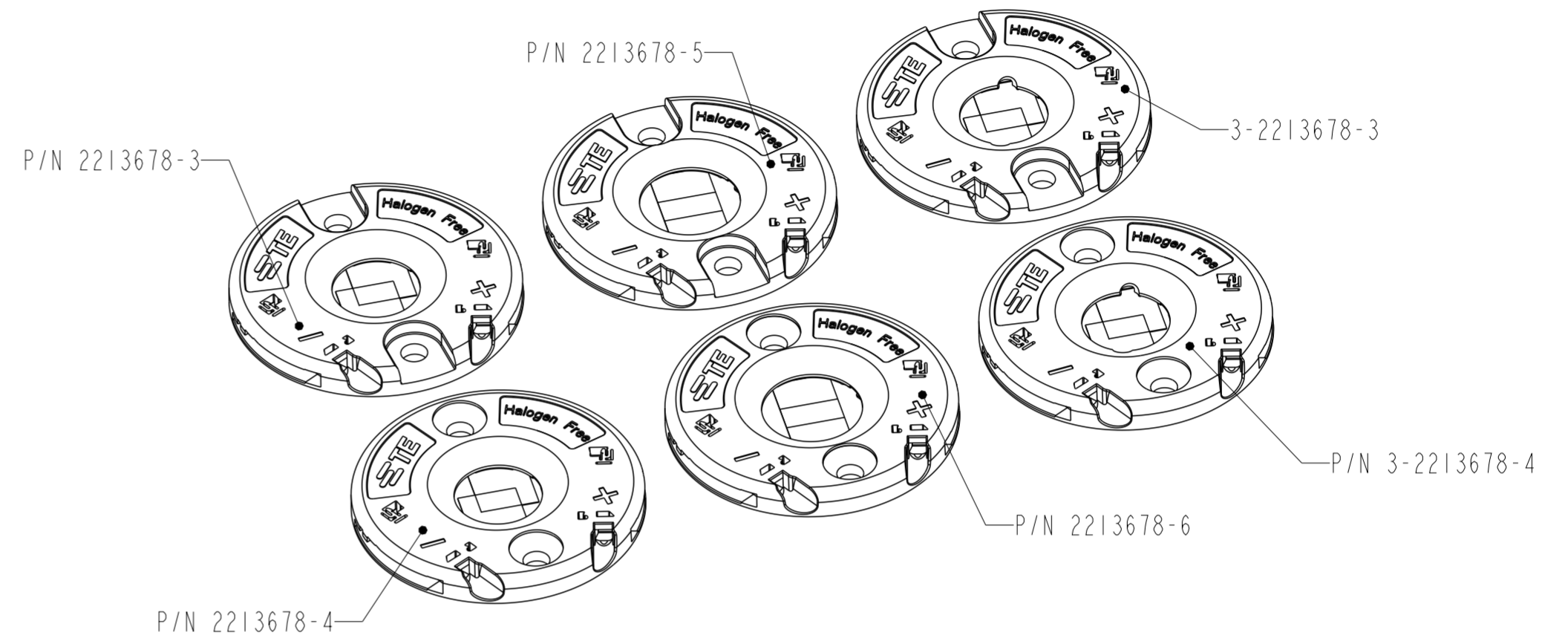
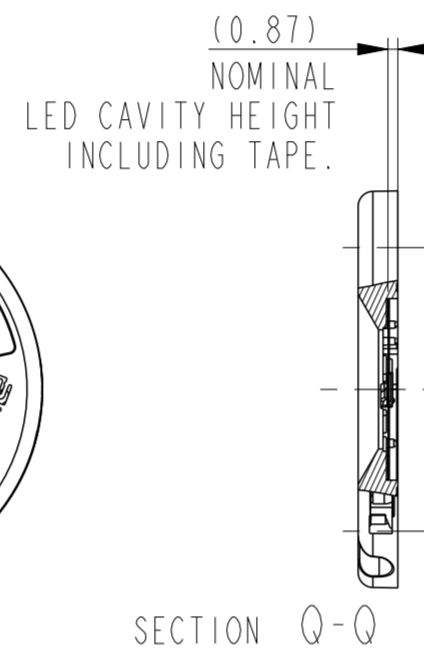
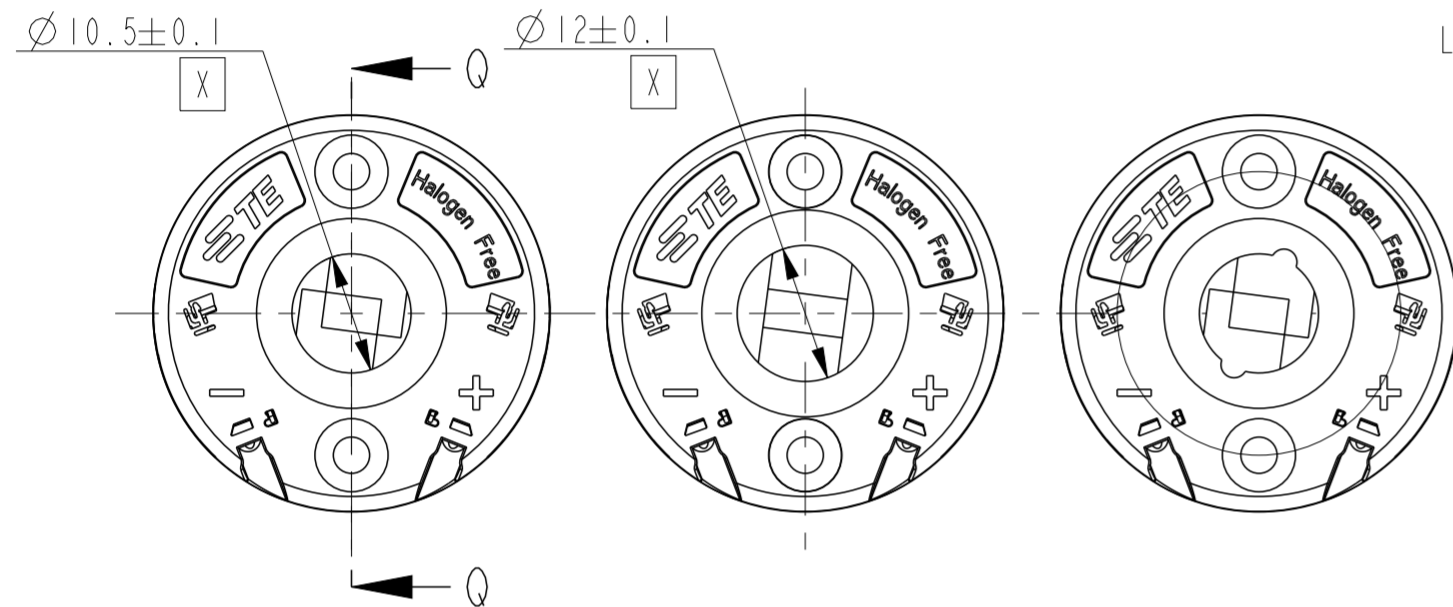
LED OUTLINE:

- P/N 2-2213678-3
- P/N 1-2213678-4 (NO TAPE)
- P/N 1-2213678-3 (NO TAPE)
- P/N 2213678-3
- P/N 2213678-4 (SHOWN)

LED OUTLINE:

- P/N 1-2213678-6 (NO TAPE)
- P/N 1-2213678-5 (NO TAPE)
- P/N 2213678-5
- P/N 2-2213678-5
- P/N 2213678-6 (SHOWN)

- P/N 3-2213678-3
- P/N 3-2213678-4



400	20	4-2213678-5	35mm LED Holder	12*15	PAN HEAD	YES	YES
400	20	4-2213678-3	35mm LED Holder	13.5*13.5	PAN HEAD	YES	YES
1050	35	3-2213678-4	35mm LED Holder	12*15	COUNTERSUNK	YES	YES
1050	35	3-2213678-3	35mm LED Holder	12*15	PAN HEAD	YES	YES
500	20	2-2213678-6	35mm LED Holder	13.5*13.5	PAN HEAD	YES	YES
500	20	2-2213678-5	35mm LED Holder	13.5*13.5	PAN HEAD	YES	YES
300	10	2-2213678-3	35mm LED Holder	12*15	PAN HEAD	YES	YES
1050	35	1-2213678-6	35mm LED Holder	13.5*13.5	COUNTERSUNK	NO	YES
1050	35	1-2213678-5	35mm LED Holder	13.5*13.5	PAN HEAD	NO	ON REQUEST
1050	35	1-2213678-4	35mm LED Holder	12*15	COUNTERSUNK	NO	ON REQUEST
1050	35	1-2213678-3	35mm LED Holder	12*15	PAN HEAD	NO	YES
1050	35	2213678-6	35mm LED Holder	13.5*13.5	COUNTERSUNK	YES	YES
1050	35	2213678-5	35mm LED Holder	13.5*13.5	PAN HEAD	YES	YES
1050	35	2213678-4	35mm LED Holder	12*15	COUNTERSUNK	YES	YES
1050	35	2213678-3	35mm LED Holder	12*15	PAN HEAD	YES	YES
SHIPPING QTY	PARTS PER TRAY	PART NO	DESCRIPTION	LED OUTLINE	SCREW TYPE	TAPE	AVAILABLE

THIS DRAWING IS A CONTROLLED DOCUMENT.

DWN: P. POORTER 22MAY2015  
 CHK: O. LEIJNSE 22MAY2015  
 APVD: O. LEIJNSE 22MAY2015

**STE** TE Connectivity

NAME: MINI COB HOLDER PLATFORM

PRODUCT SPEC: 108-133062  
 APPLICATION SPEC: 114-133062

MATERIAL: -

WEIGHT: -

SIZE: A2 CAGE CODE: 00779 DRAWING NO: C-2213678 RESTRICTED TO: -

CUSTOMER DRAWING SCALE: 2:1 SHEET: 2 OF 3 REV: C3