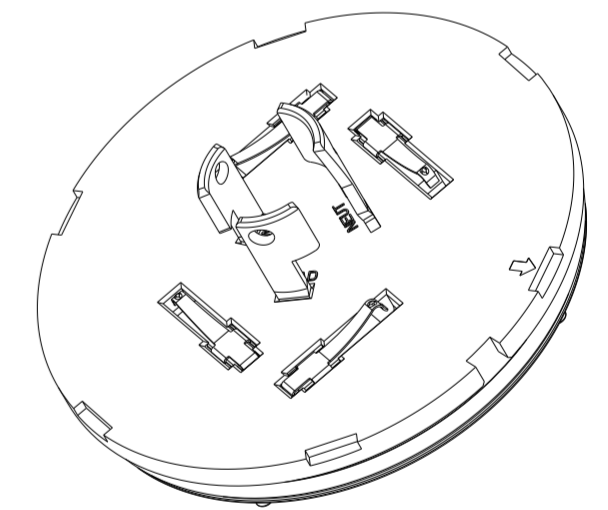
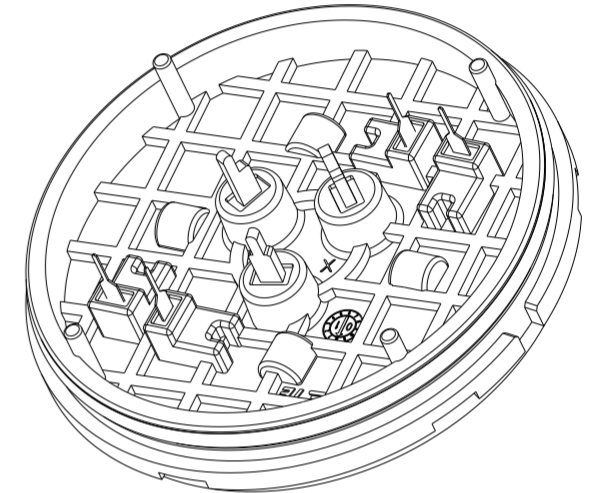
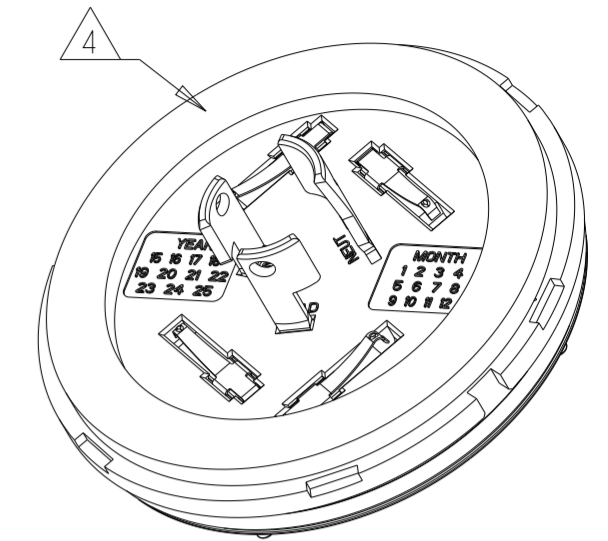
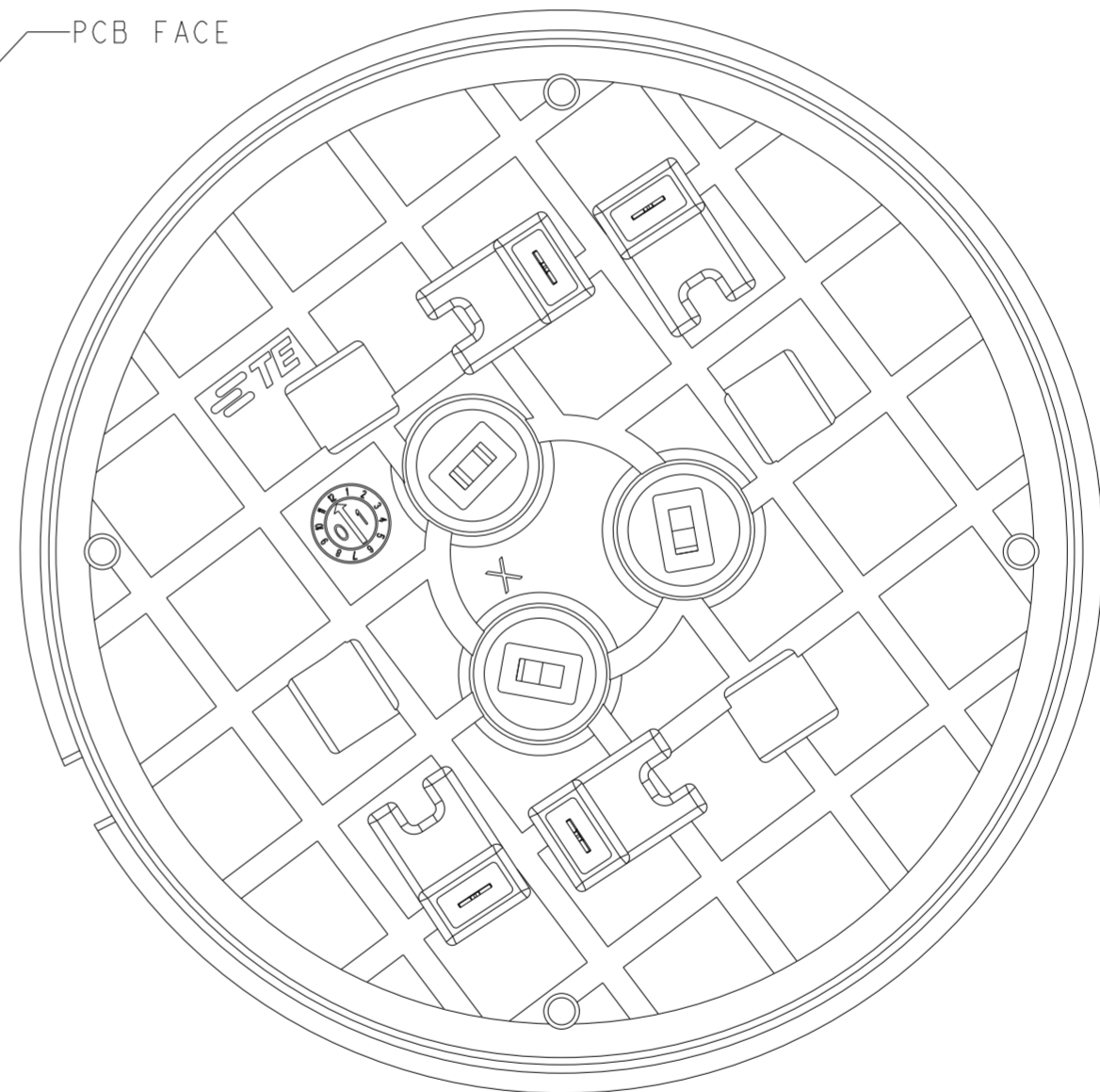
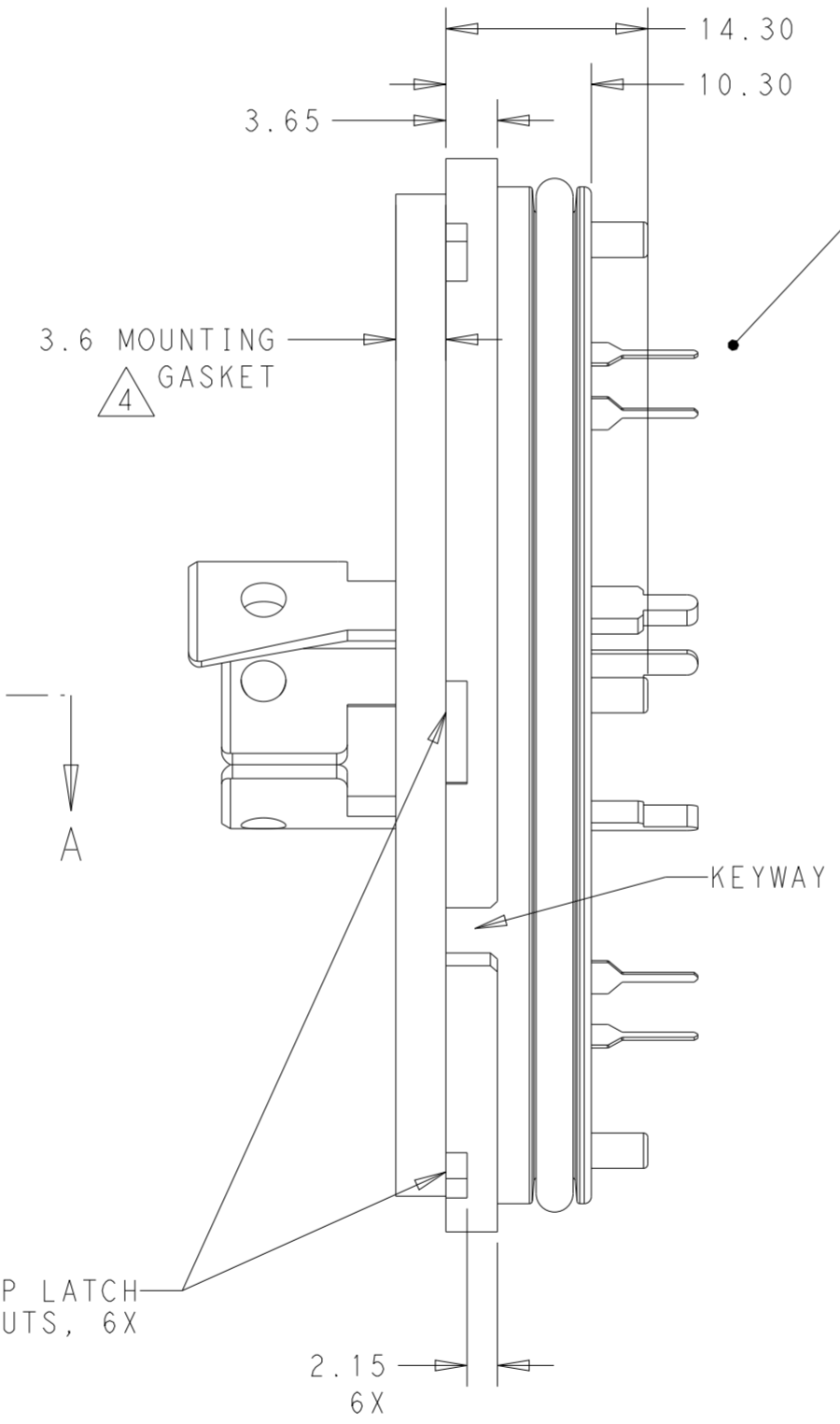
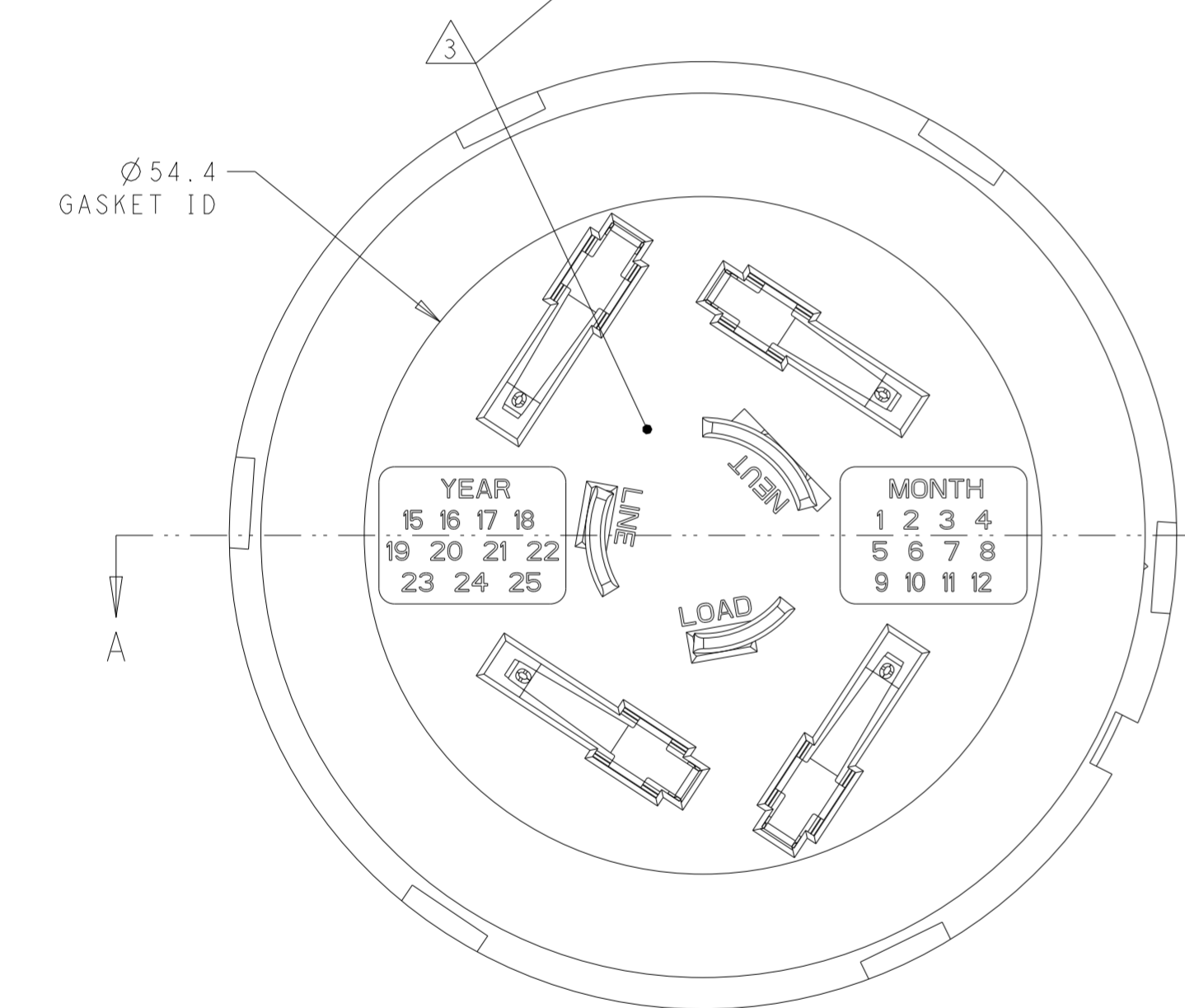
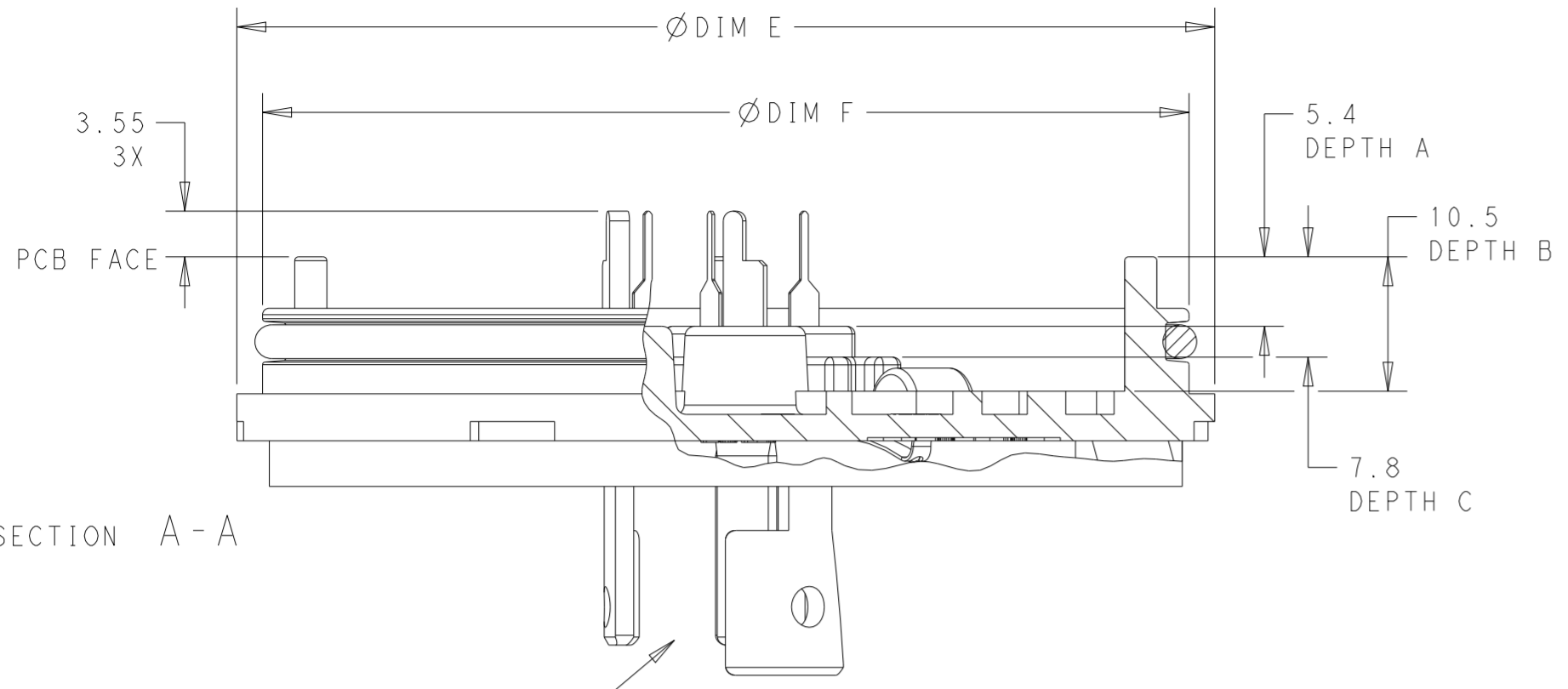


THIS DRAWING IS UNPUBLISHED. RELEASED FOR PUBLICATION 20
 © COPYRIGHT 20 BY - ALL RIGHTS RESERVED.

REVISONS		DATE	DWN	APVD
P	LTR	DESCRIPTION		
A7		REVISED PER ECR-18-019587	14DEC2018	JS DD
B		REVISED PER ECR-21-109451	17AUG2021	JL MM

NOTES:

- 1 MATERIALS:
 HOUSING: PBT
 DIMMING CONTACTS (QTY. 4): COPPER ALLOY
 LINE VOLTAGE CONTACTS (QTY. 3): COPPER ALLOY
 GASKET: VINYL/NITRILE FOAM
 O-RING: SILICONE RUBBER
- 2 FINISH:
 DIMMING CONTACTS: NICKEL UNDERPLATE ENTIRE
 CONTACT 0.127 µm MIN THICK. SELECTIVE GOLD PLATE CONTACT
 MATING AREA (MATING FACE SIDE ONLY) 0.76 µm MIN THICK.
 MATTE TIN PLATE TAB ON BOTH SIDES 0.30 µm MIN THICK.
 LINE VOLTAGE CONTACTS: MATTE TIN PLATE
- 3 MATING INTERFACE PER ANSI C136.41-2013.
- 4 ADHESIVE BACKED GASKET SUPPLIED BUT NOT INSTALLED
- 5 MATING CAP TE P/N: 2213748-X



1-2213730-1 SHOWN

2213730-1 SHOWN

Ø77.00	Ø73.00	Ø66.00	Ø69.00	Ø72.00	Ø76.00	1-2213730-1
Ø77.00	Ø73.00	Ø66.00	Ø69.00	Ø72.00	Ø76.00	2213730-1
DIM Y	DIM X	DIM N	DIM M	DIM F	DIM E	PART NO.

THIS DRAWING IS A CONTROLLED DOCUMENT. DWN C DAILY 28SEP2015
 CHK E HOWARD 28SEP2015
 APVD -

STE TE Connectivity

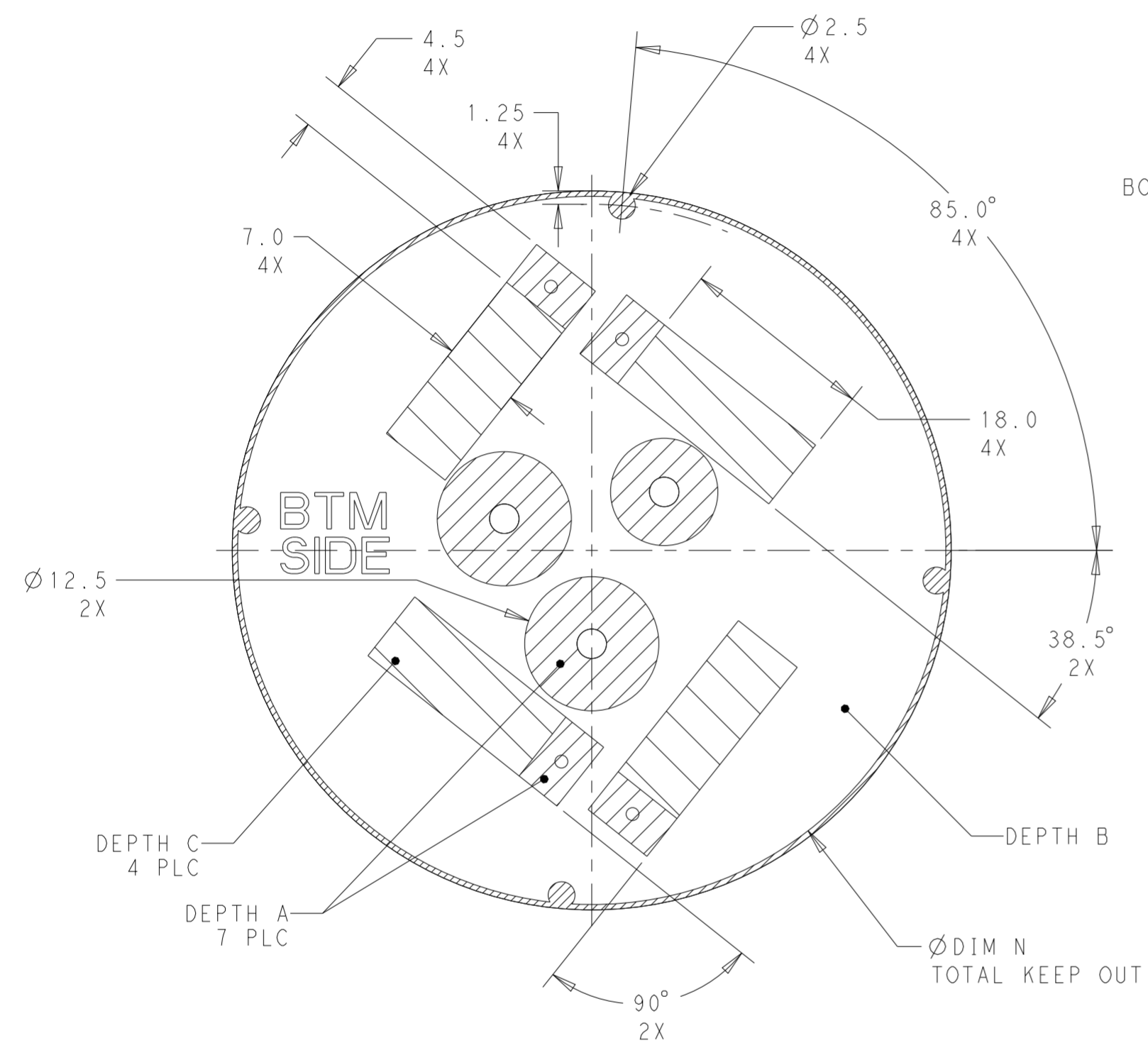
NAME: BASE ASSEMBLY, LIGHT CONTROLLER

PRODUCT SPEC: 108-32125
 APPLICATION SPEC: 114-32159

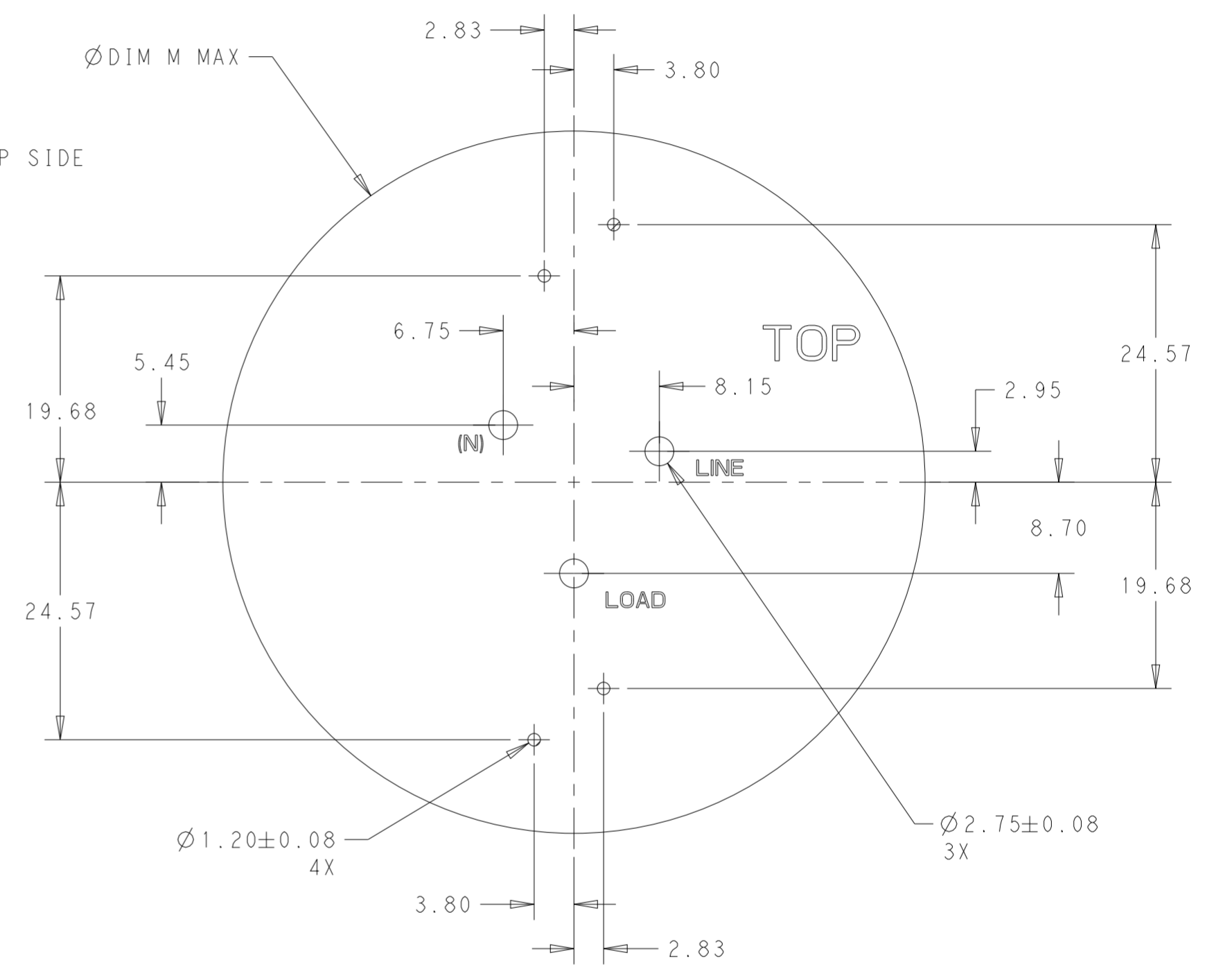
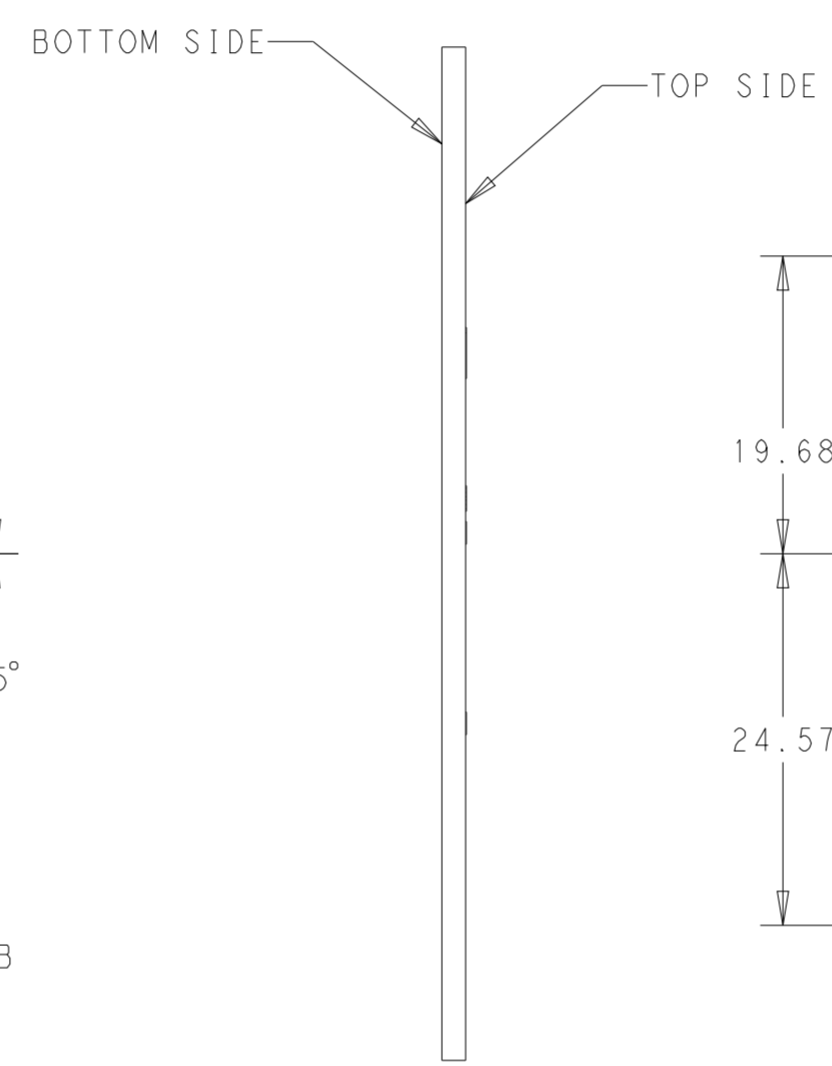
SIZE: A2 CAGE CODE: - DRAWING NO: C-2213730 RESTRICTED TO: -
 WEIGHT: -
 CUSTOMER DRAWING SCALE: 2:1 SHEET 1 OF 3 REV B

THIS DRAWING IS UNPUBLISHED. RELEASED FOR PUBLICATION 20
 © COPYRIGHT 20 BY - ALL RIGHTS RESERVED.


LOC		DIST		REVISIONS			
P	LTR	DATE	DWN	APVD			
-	-	-	-	-	SEE SHEET 1		



COMPONENT KEEP OUT AREAS



RECOMMENDED PCB SCALE 2:1

THIS DRAWING IS A CONTROLLED DOCUMENT.		DWN C. DAILY 28SEP2015	 TE Connectivity	
		CHK E. HOWARD 28SEP2015		
DIMENSIONS: mm		APVD -		NAME BASE ASSEMBLY, LIGHT CONTROLLER
TOLERANCES UNLESS OTHERWISE SPECIFIED:		PRODUCT SPEC 108-32125		SIZE A2
0 PLC ±		APPLICATION SPEC 114-32159		CAGE CODE -
1 PLC ±0.2		WEIGHT -		DRAWING NO C-2213730
2 PLC ±0.13		CUSTOMER DRAWING		RESTRICTED TO -
3 PLC ±		SCALE 2:1		SHEET 2 OF 3
4 PLC ±		SHEET 2 OF 3		REV B
ANGLES ±3°				
FINISH				