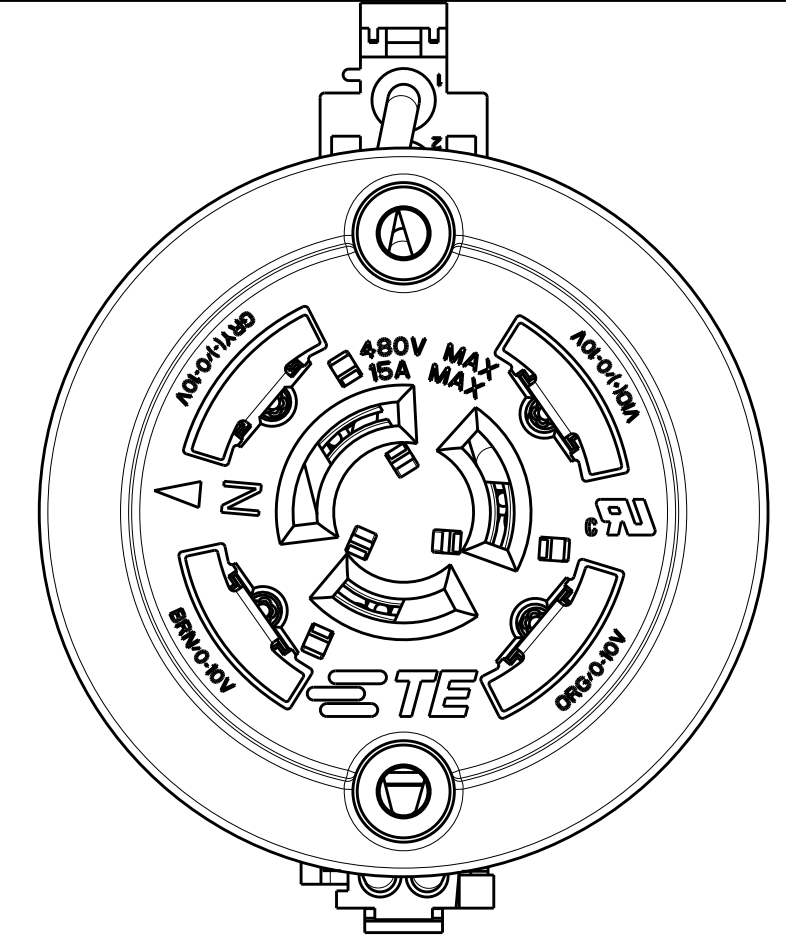
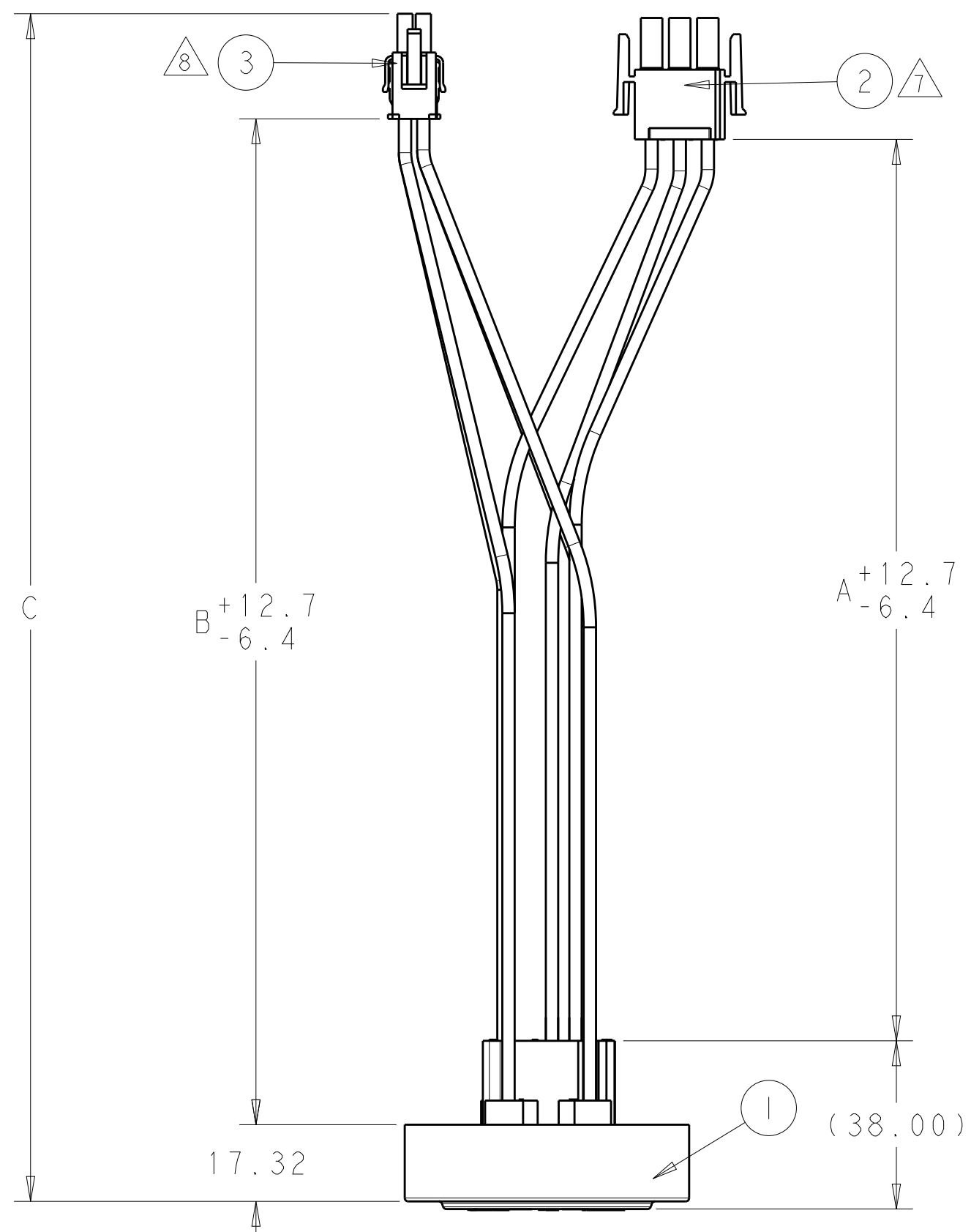


THIS DRAWING IS UNPUBLISHED. RELEASED FOR PUBLICATION 20
 © COPYRIGHT 20 BY - ALL RIGHTS RESERVED.

LOC		DIST		REVISIONS			
P	LTR	DESCRIPTION	DATE	DWN	APVD		
A		ECR-18-014608	18SEP2018	SR	DD		
B		ECR-19-005901	15APR2019	SR	DD		



SEE SHEET 2 FOR WIRING COLOR CODE



NOTES:

- MATERIALS:
 HOUSING: GLASS-FILLED THERMOPLASTIC, UL 94V-0 RATED
 DIMMING CONTACTS (2 OR 4) AND LINE VOLTAGE CONTACTS (3):
 COPPER ALLOY
- FINISH:
 DIMMING CONTACTS (2 OR 4): NICKEL UNDERPLATE ENTIRE CONTACT 0.127 μm MIN THICK. GOLD PLATE CONTACT PAD AREA (MATING FACE SIDE ONLY) 0.76 μm MIN THICK. MATTE TIN PLATE TAB ON BOTH SIDES 0.30 μm MIN THICK. LINE VOLTAGE CONTACTS (3): TIN PLATE.
- MATING INTERFACE PER ANSI C136.41-2013.
- LINE VOLTAGE CONDUCTORS (3):
 14 AWG, 600V, 105°C RATED, COPPER 41/30 STRANDED. PER UL STYLE AWM 1015.
- DIMMING CONDUCTORS (2 OR 4):
 18 AWG, 600V, 105°C RATED, COPPER 16/30 STRANDED. PER UL STYLE AWM 1015.
- LUBRICATION: GOLD PLATED CONTACT PAD SURFACES OF DIMMING CONTACTS ARE LUBRICATED WITH A TRANSPARENT (NON-VISIBLE) LUBRICANT TO IMPROVE DURABILITY AND PERFORMANCE. AVOID CONTACT WITH THESE SURFACES WHICH MAY RESULT IN REMOVAL OF LUBRICANT.
- 350766-1 WITH PIN CONTACTS 350873-3
 MATES WITH HOUSING 350767-1, USING CONTACT 350874-3, OR ENGINEERING APPROVED EQUIVALENT.
- 794188-1 WITH PIN CONTACTS 794222-1
 MATES WITH HOUSING 172159-1, USING CONTACT 770904-1, OR HOUSING 794189-1, USING CONTACT 794223-1
- LINE VOLTAGE CONDUCTORS (3): DOUBLE INSULATED
 14 AWG, 600V, 105°C RATED, COPPER 41/30 STRANDED. PER UL STYLE AWM 1617.
- DIMMING CONDUCTORS (2 OR 4): DOUBLE INSULATED
 18 AWG, 600V, 105°C RATED, COPPER 16/30 STRANDED. PER UL STYLE AWM 1617.

OVERALL LENGTH	WIRE LENGTH	WIRE STYLE	QUANTITY OF DIMMING CONTACTS	PART NO.	
158 MAX	100.0	100.0	△4 AND △5	2	1-2213785-1
158 MAX	100.0	100.0	△9 AND △10	4	2213785-2
158 MAX	100.0	100.0	△4 AND △5	4	2213785-1

THIS DRAWING IS A CONTROLLED DOCUMENT.

DWN	RAVLS	11DEC2015
CHK	D. DECKER	11DEC2015
APVD	D. DECKER	11DEC2015
PRODUCT SPEC	108-32059	
APPLICATION SPEC	114-32115	
WEIGHT	-	
CUSTOMER DRAWING		

STE TE Connectivity

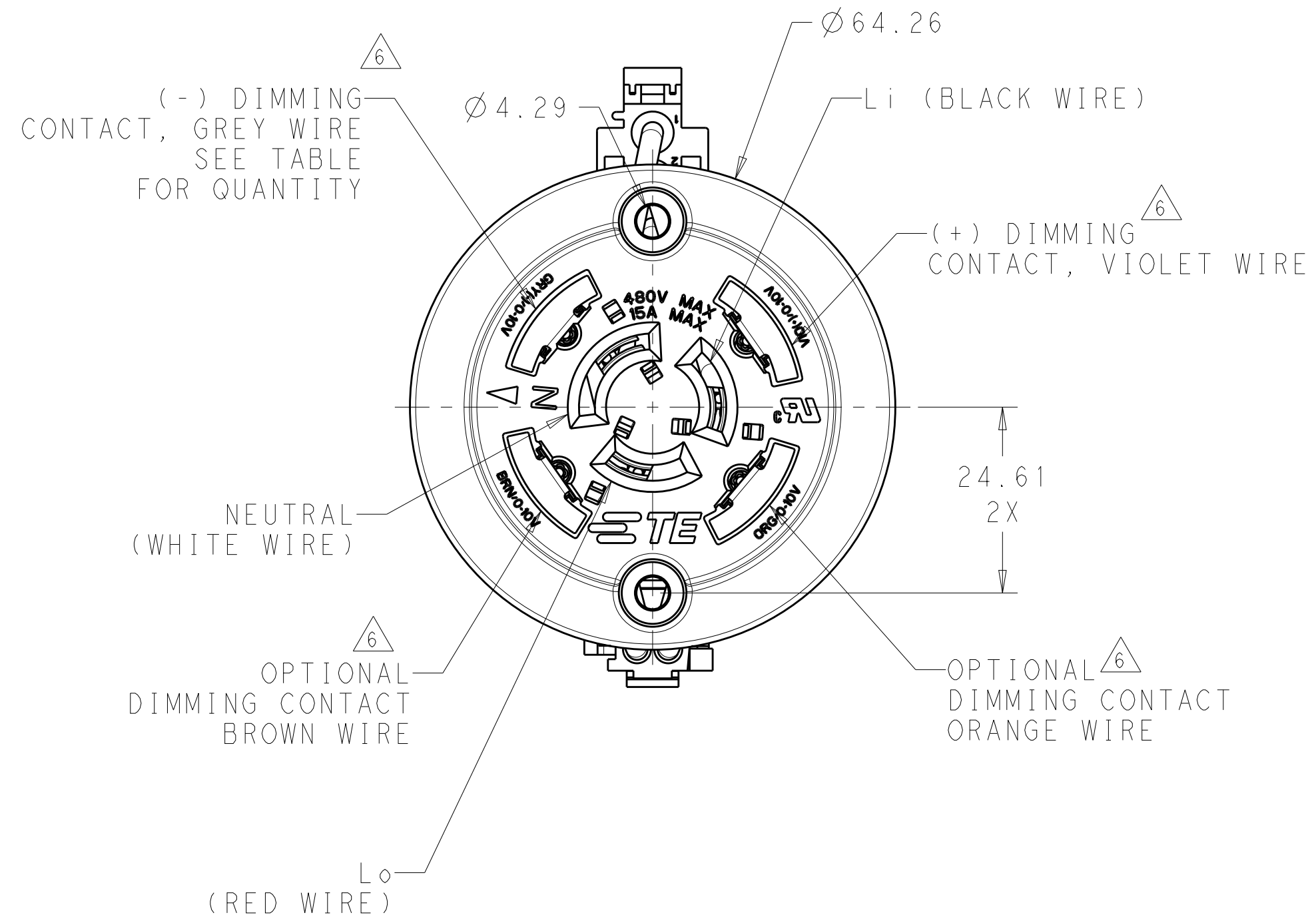
NAME: RECEPTACLE ASSEMBLY, DIMMABLE PHOTOCONTROL

SIZE: A2 CAGE CODE: 00779 DRAWING NO: C-2213785 RESTRICTED TO: -

SCALE: 1:1 SHEET 1 OF 2 REV B

THIS DRAWING IS UNPUBLISHED. RELEASED FOR PUBLICATION 20
 © COPYRIGHT 20 BY - ALL RIGHTS RESERVED.

LOC	DIST	REVISIONS			
P	LTR	DESCRIPTION	DATE	DWN	APVD
-	-	SEE SHEET 1	-	-	-



WIRE TERMINATION CHART FOR 2213785-1 AND 2213785-2

LEAD	FROM ITEM	FROM POSITION	WIRE AWG
1	1	B	14
2	1	COM	14
3	1	R	14
4	1	(+)	18
5	1	(-)	18
6	1	BRN	18
7	1	ORG	18

WIRE TERMINATION CHART FOR 1-2213785-1

LEAD	FROM ITEM	FROM POSITION	WIRE AWG
1	1	B	14
2	1	COM	14
3	1	R	14
4	1	(+)	18
5	1	(-)	18

THIS DRAWING IS A CONTROLLED DOCUMENT.

DWN RAVL.S 11DEC2015	TE Connectivity	NAME RECEPTACLE ASSEMBLY, DIMMABLE PHOTOCONTROL
CHK D. DECKER 11DEC2015		
APVD D. DECKER 11DEC2015		
PRODUCT SPEC 108-32059		
MATERIAL	APPLICATION SPEC 114-32115	RESTRICTED TO
	WEIGHT	SIZE A200779
	CUSTOMER DRAWING	CAGE CODE C-2213785
		DRAWING NO
		SCALE 1:1
		SHEET 2 OF 2
		REV B